



US00D736581S

(12) **United States Design Patent**  
**Hauser**

(10) **Patent No.:** **US D736,581 S**

(45) **Date of Patent:** **\*\* Aug. 18, 2015**

(54) **DEVICE FOR REPAIRING CAR GLASS**

(71) Applicant: **Top Smart Solutions, LLC,**  
Wilmington, DE (US)

(72) Inventor: **Vladimir Hauser,** České Budějovice  
(CZ)

(73) Assignee: **Top Smart Solutions, LLC,**  
Wilmington, DE (US)

(\*\*) Term: **14 Years**

(21) Appl. No.: **29/467,430**

(22) Filed: **Sep. 19, 2013**

(30) **Foreign Application Priority Data**

Apr. 24, 2013 (EM) ..... 002226423-0001

(51) **LOC (10) Cl.** ..... **08-05**

(52) **U.S. Cl.**  
USPC ..... **D8/51**

(58) **Field of Classification Search**  
USPC ..... D8/14, 51; 425/12, 13, 14, 128, 127;  
156/94; 264/36.21, 36.22  
See application file for complete search history.

(56) **References Cited**

**U.S. PATENT DOCUMENTS**

4,820,148 A \* 4/1989 Anderson ..... 425/12  
4,826,413 A \* 5/1989 Matles ..... 425/12  
5,776,506 A \* 7/1998 Thomas et al. .... 425/12

D403,563 S \* 1/1999 Thomas et al. .... D8/51  
D406,029 S \* 2/1999 Thomas et al. .... D8/51  
5,952,012 A \* 9/1999 Thomas et al. .... 425/12  
6,050,799 A \* 4/2000 Galyon ..... 425/12  
6,139,300 A \* 10/2000 Thomas et al. .... 425/12  
6,485,281 B1 \* 11/2002 Curl ..... 425/12  
6,663,371 B2 \* 12/2003 Curl ..... 425/12

\* cited by examiner

*Primary Examiner* — Phillip S Hyder

(74) *Attorney, Agent, or Firm* — Bryant J. Keller; Kirton I  
McConkie

(57) **CLAIM**

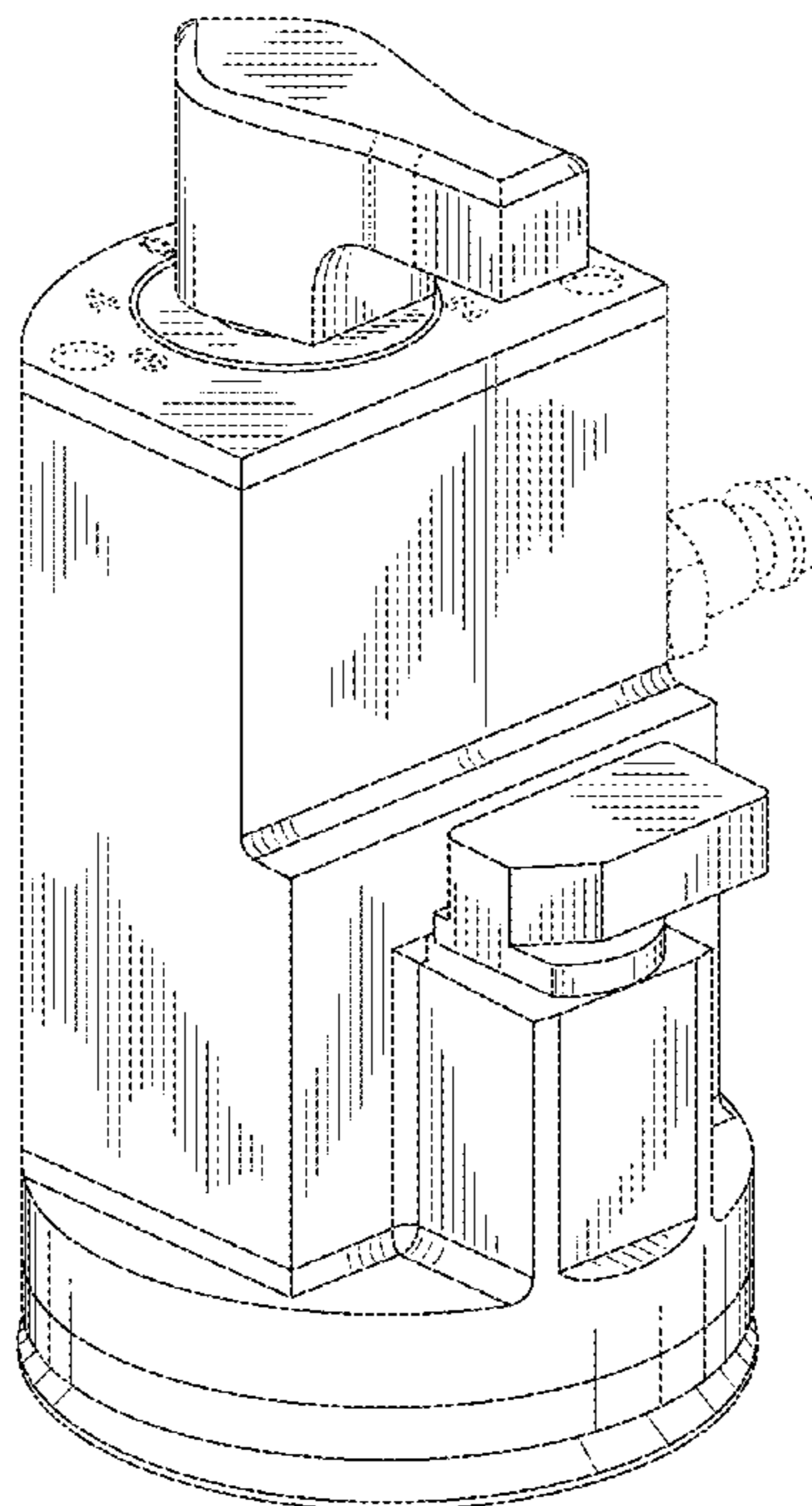
The ornamental design for a device for repairing car glass, as  
shown and described.

**DESCRIPTION**

FIG. 1 is a front, left side perspective view of a device for  
repairing car glass showing my new design;  
FIG. 2 is a back, right side perspective view thereof;  
FIG. 3 is a back, left side perspective view thereof;  
FIG. 4 is a right side elevation view thereof;  
FIG. 5 is a left side elevation view thereof;  
FIG. 6 is a front side elevation view thereof;  
FIG. 7 is a back side elevation view thereof;  
FIG. 8 is a top side plan view of a representative embodiment  
thereof; and,  
FIG. 9 is a bottom side plan view of a representative embodi-  
ment thereof.

The broken lines illustrate portions of the device for repairing  
car glass which form no part of the claimed design.

**1 Claim, 9 Drawing Sheets**



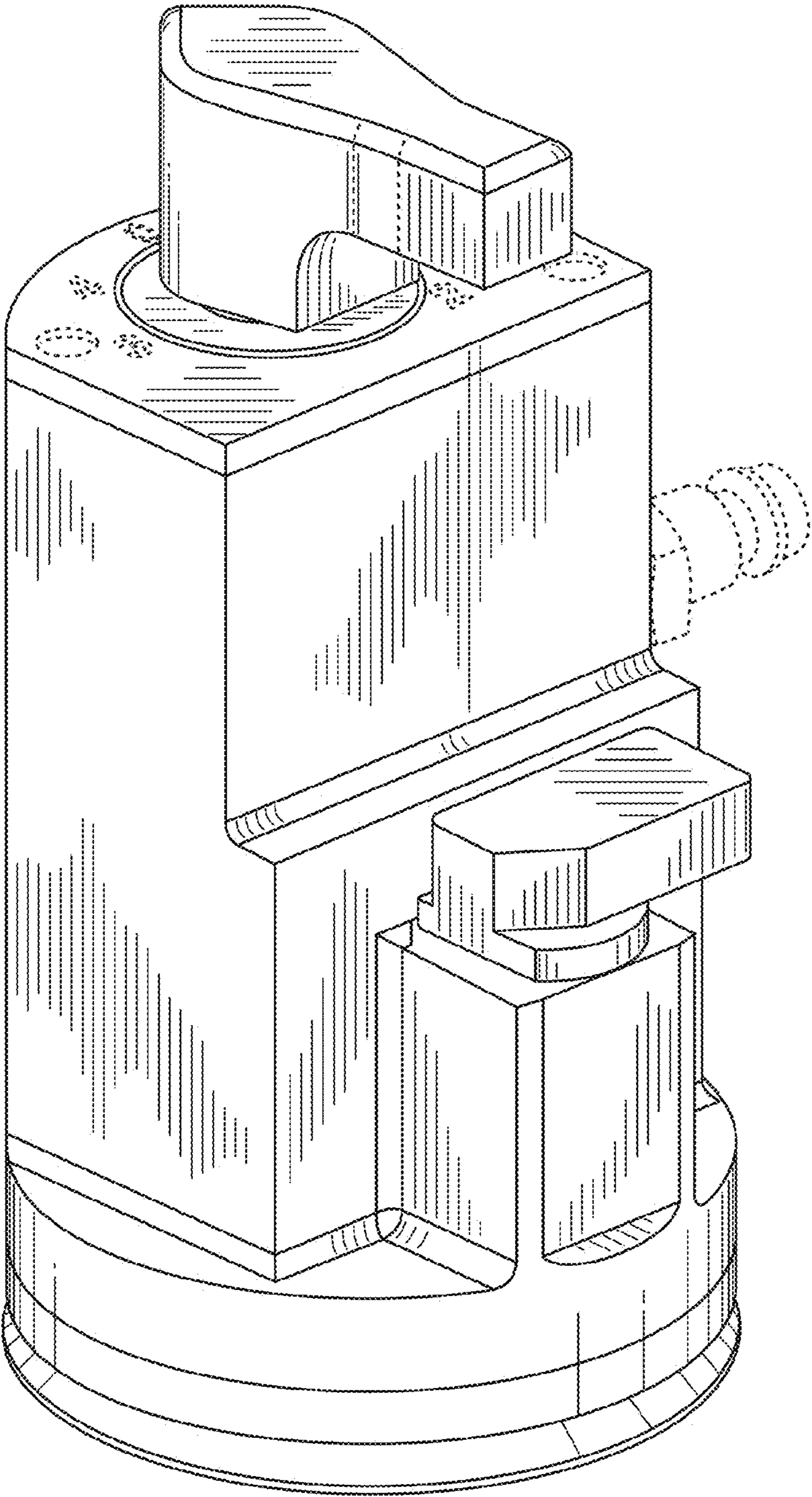


FIG. 1

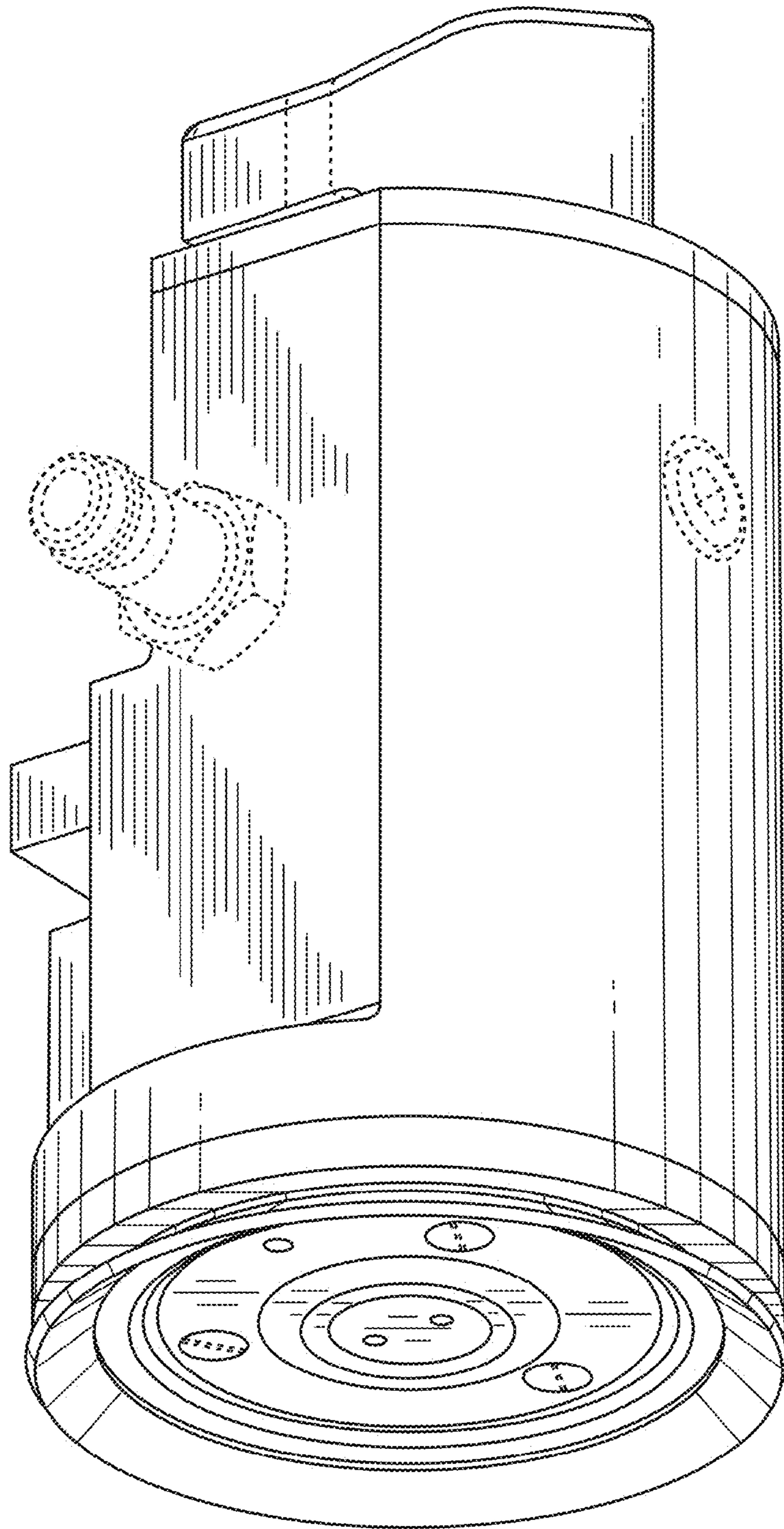


FIG. 2



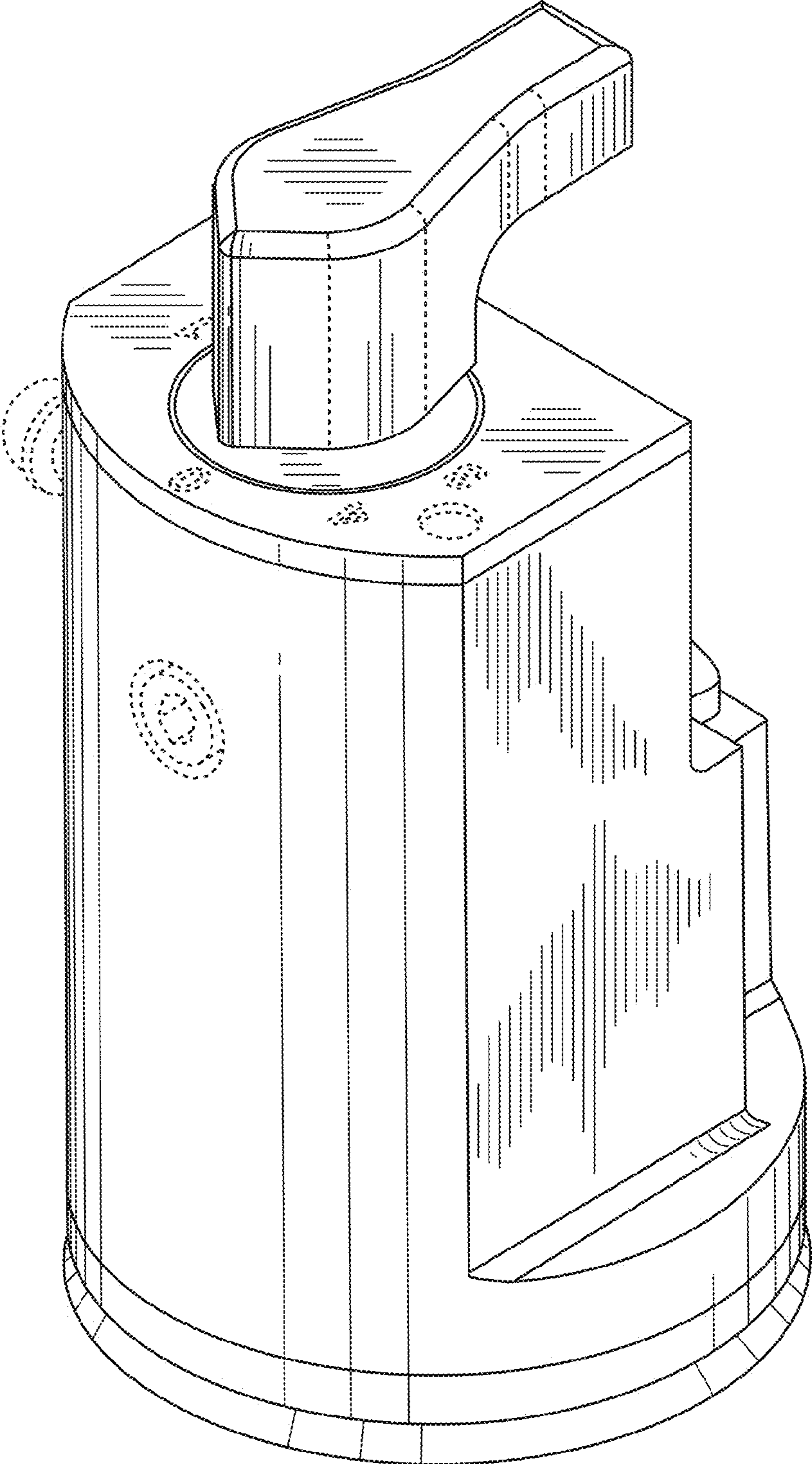


FIG. 3

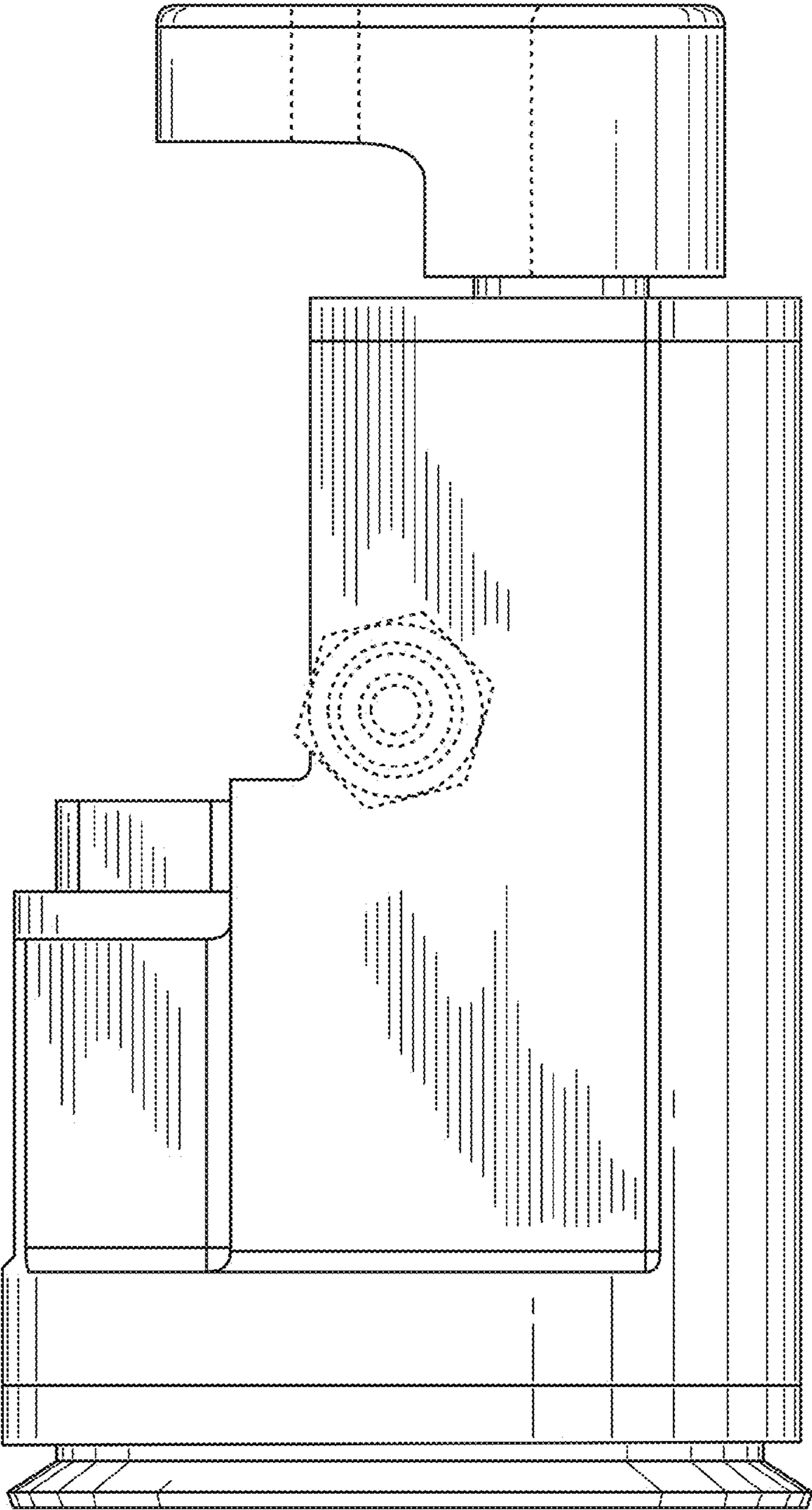


FIG. 4

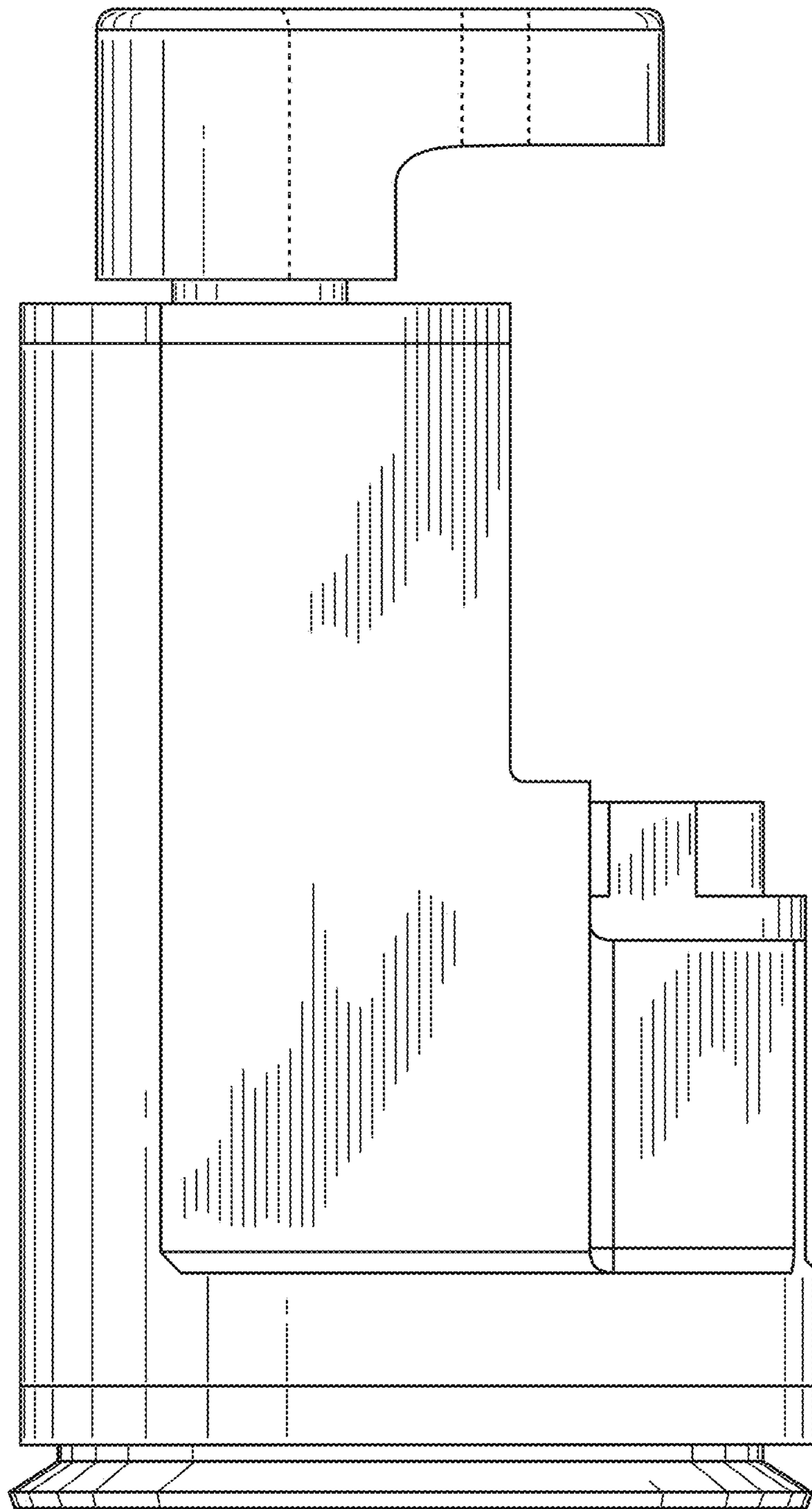


FIG. 5

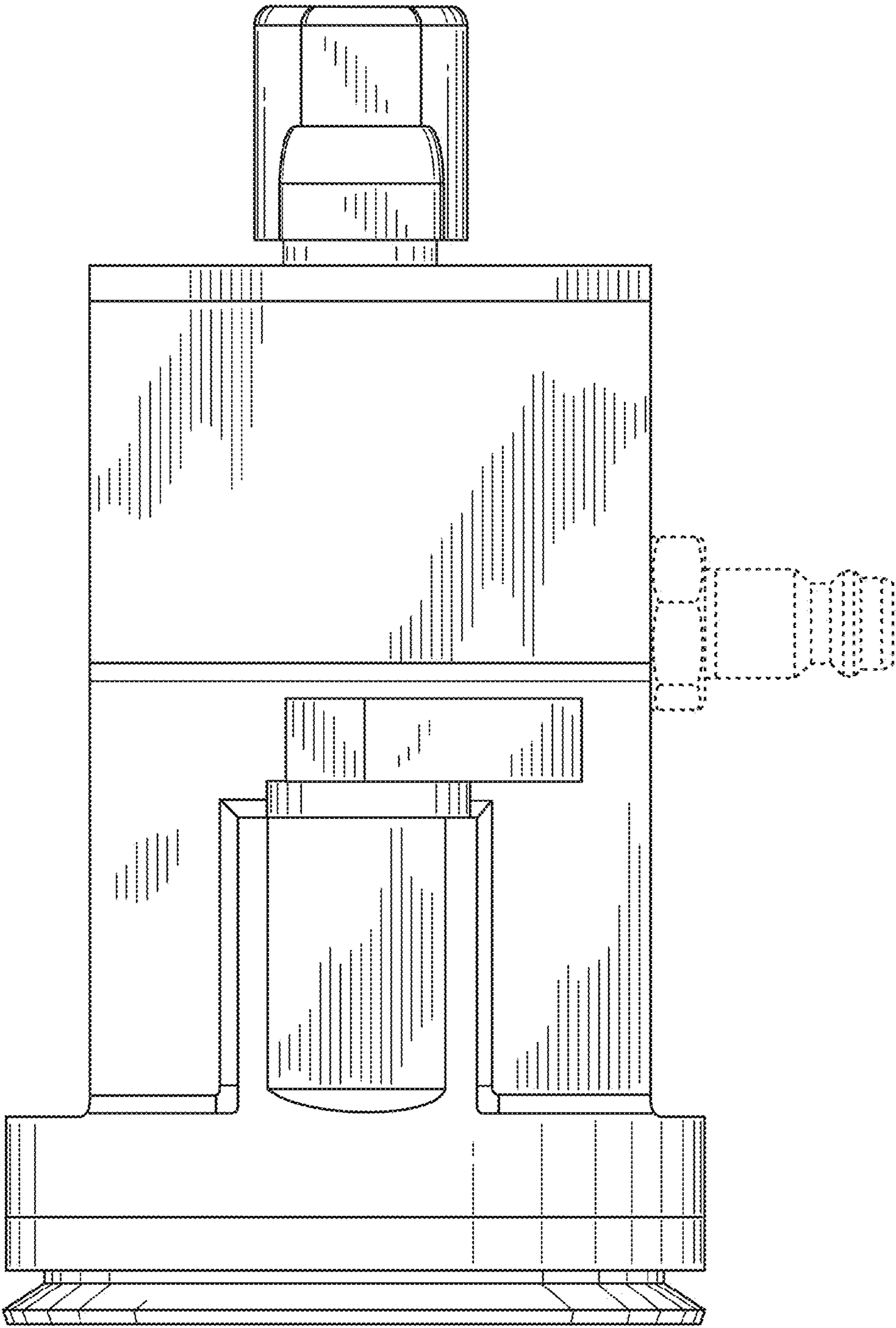


FIG. 6

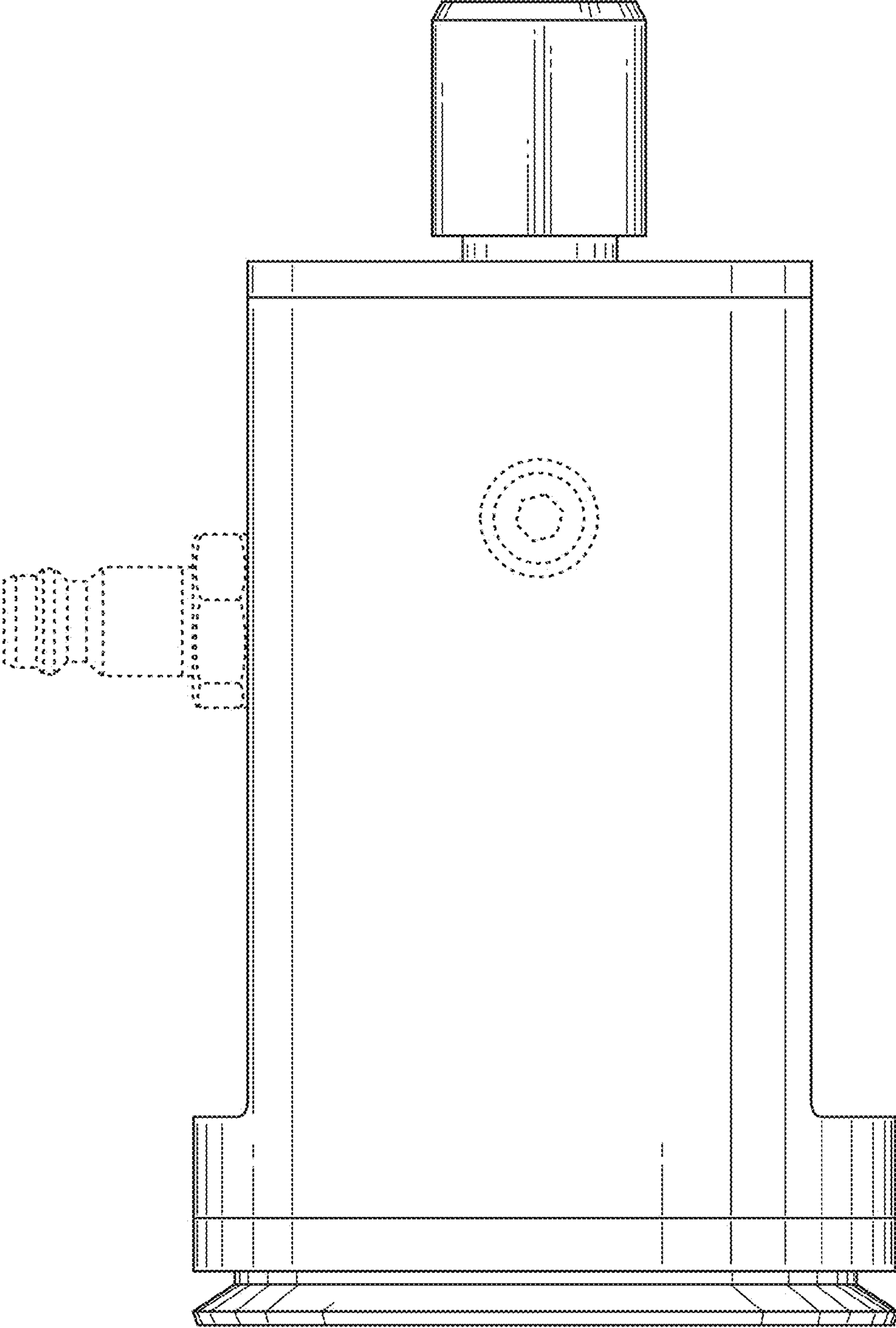


FIG. 7



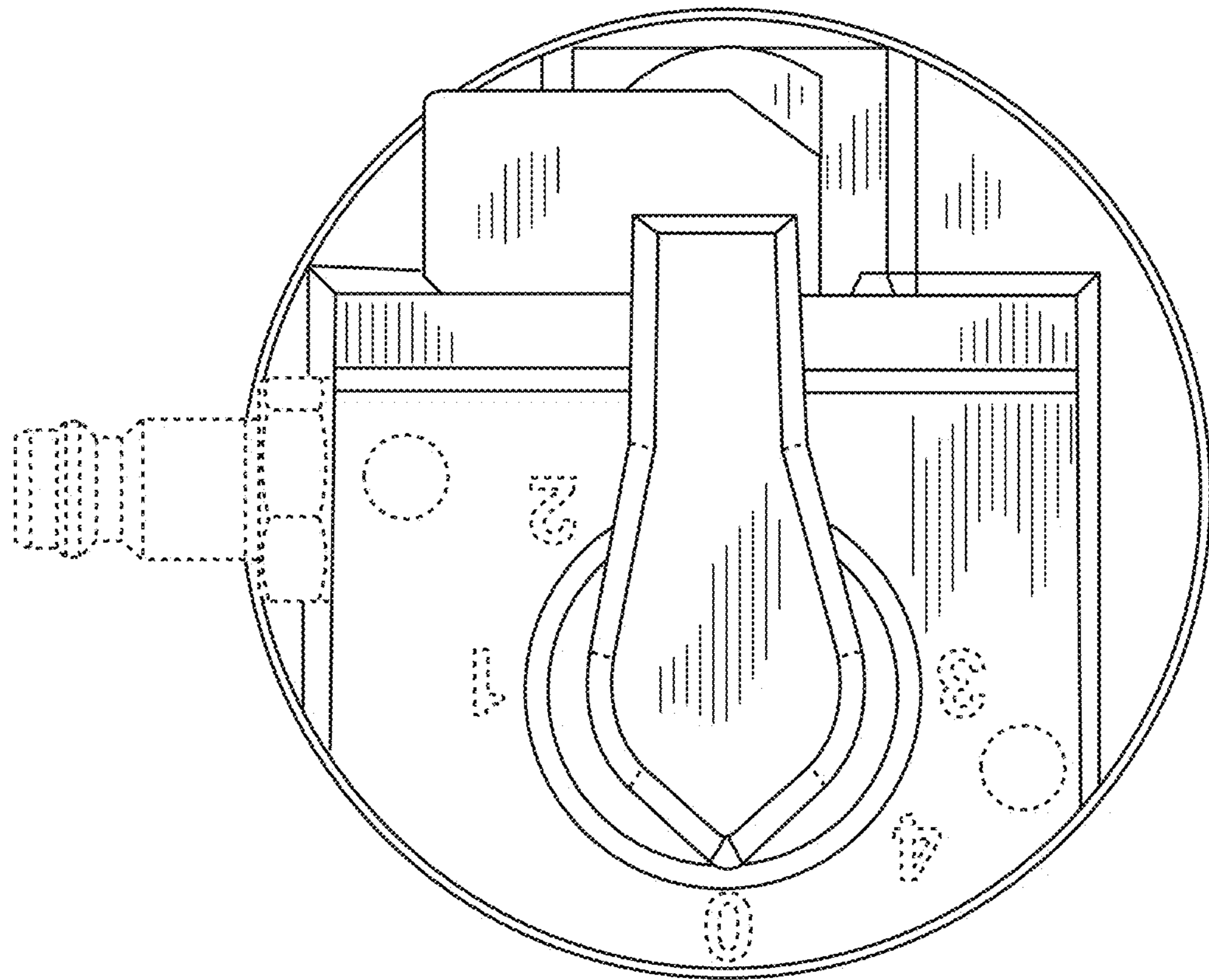


FIG. 8

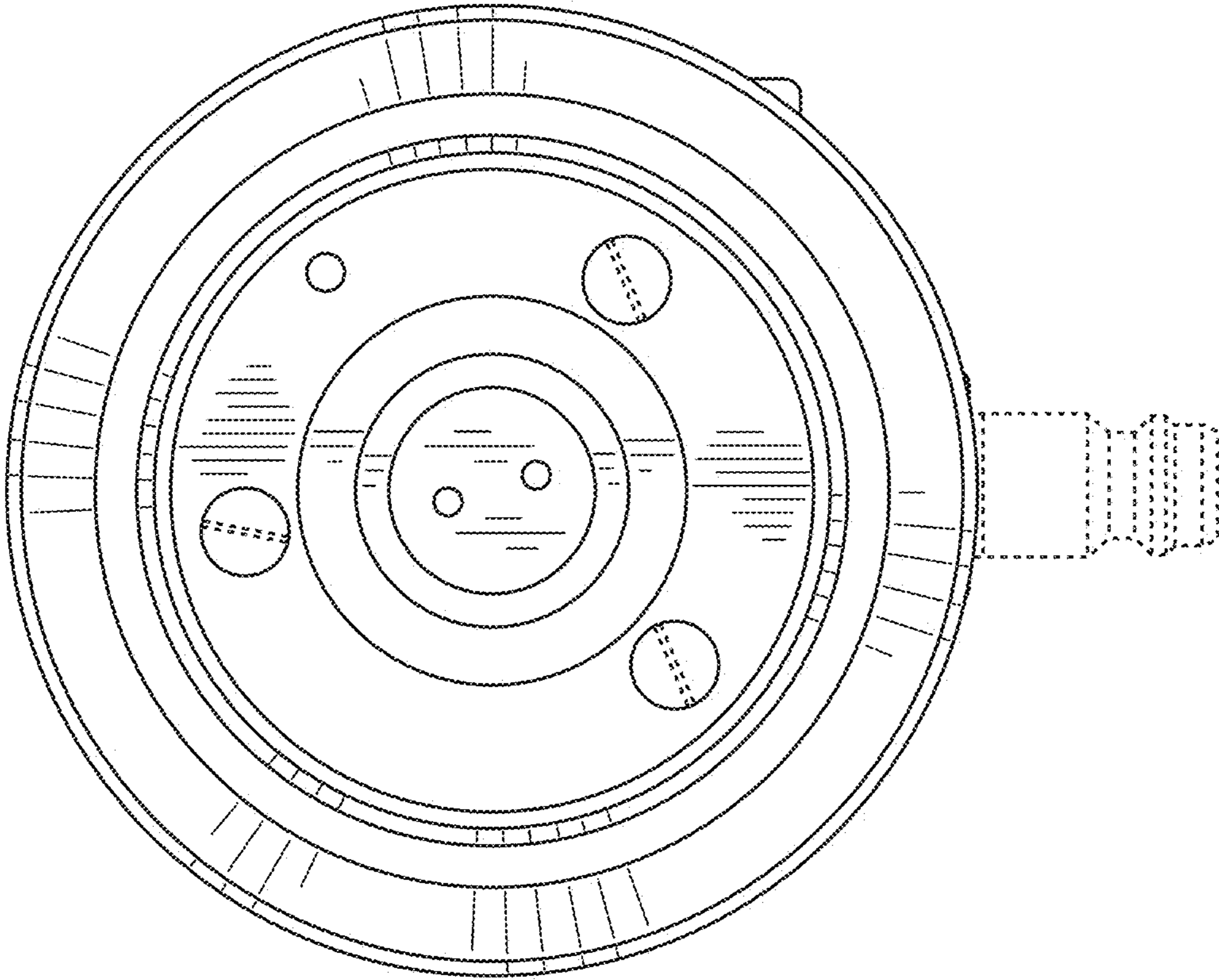


FIG. 9