



US00D736578S

(12) **United States Design Patent**
Rollenhagen et al.

(10) **Patent No.:** **US D736,578 S**
(45) **Date of Patent:** **** Aug. 18, 2015**

- (54) **INSECTICIDE HOPPER**
- (71) Applicant: **Kinze Manufacturing, Inc.**
- (72) Inventors: **Trevor N. Rollenhagen**, North Liberty, IA (US); **Susanne Veatch**, Williamsburg, IA (US); **Rhett Schildroth**, Williamsburg, IA (US)
- (73) Assignee: **Kinze Manufacturing, Inc.**, Williamsburg, IA (US)
- (**) Term: **14 Years**
- (21) Appl. No.: **29/477,241**
- (22) Filed: **Dec. 20, 2013**
- (51) **LOC (10) Cl.** **08-01**
- (52) **U.S. Cl.**
USPC **D8/2**
- (58) **Field of Classification Search**
USPC D8/1-2; D15/13; D34/28, 1;
111/184-185
See application file for complete search history.

- D338,756 S * 8/1993 Pink et al. D34/1
- D402,670 S * 12/1998 Becker D15/13
- D534,044 S * 12/2006 Zak D8/2
- D555,322 S * 11/2007 Hlady et al. D34/28
- D712,210 S * 9/2014 Rollenhagen et al. D8/2
- D712,211 S * 9/2014 Rollenhagen et al. D8/2
- D719,799 S * 12/2014 Rollenhagen et al. D8/2

* cited by examiner

Primary Examiner — Sheryl Lane

(74) *Attorney, Agent, or Firm* — McKee, Voorhees & Sease, PLC

(57) **CLAIM**

We claim the ornamental design for an insecticide hopper, substantially as shown and described.

DESCRIPTION

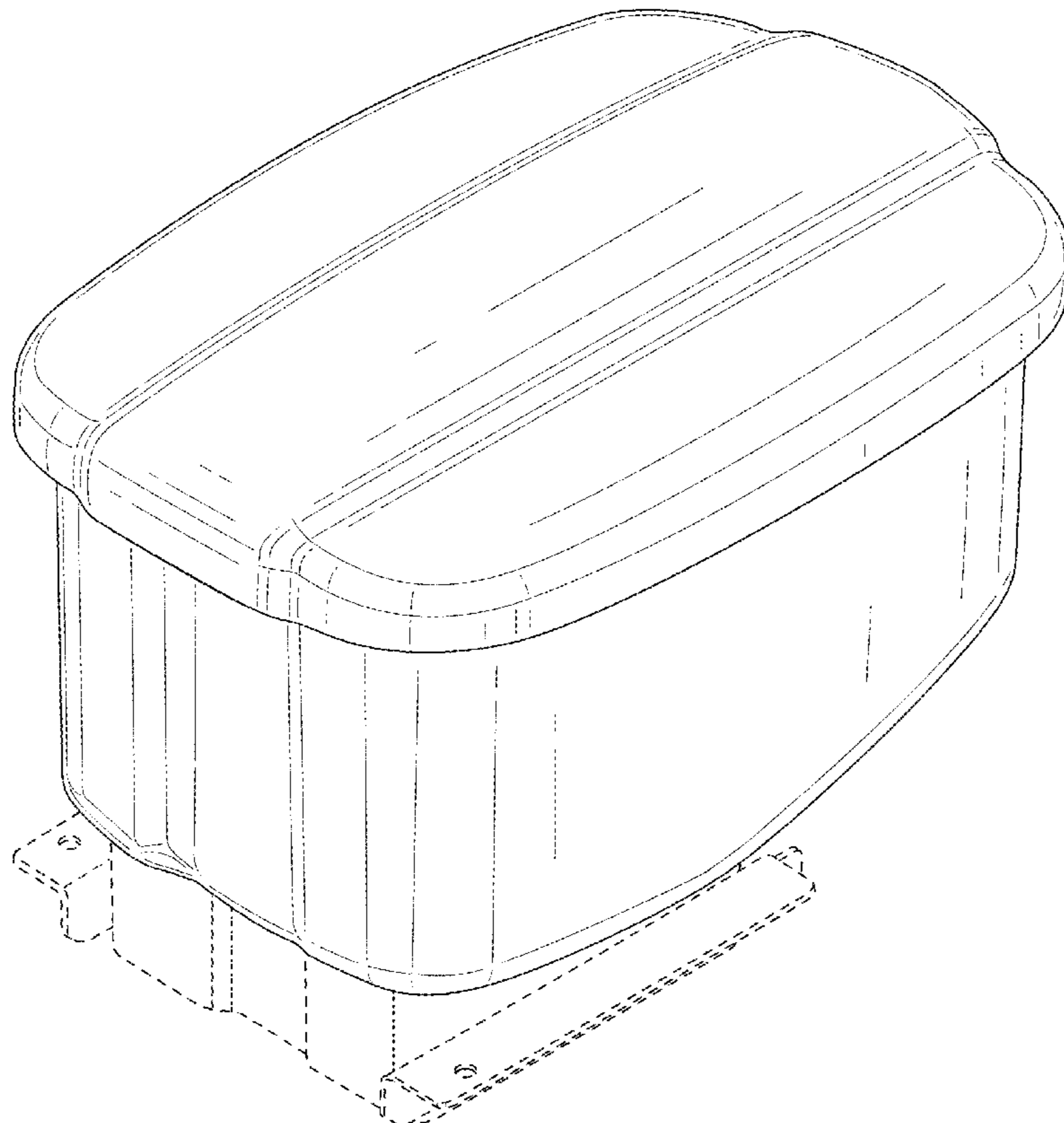
FIG. 1 is a front perspective view of the insecticide hopper; FIG. 2 is a rear perspective view of the insecticide hopper; FIG. 3 is a front elevation view of the insecticide hopper; FIG. 4 is a right elevation view of the insecticide hopper; FIG. 5 is a top plan view of the insecticide hopper; FIG. 6 is a bottom plan view of the insecticide hopper; and, FIG. 7 is a rear elevation view of the insecticide hopper. The broken lines represent portions of the article and form no part of the claimed design.

1 Claim, 7 Drawing Sheets

(56) **References Cited**

U.S. PATENT DOCUMENTS

- 4,924,786 A * 5/1990 Keeton 111/184
- 5,027,725 A * 7/1991 Keeton 111/184



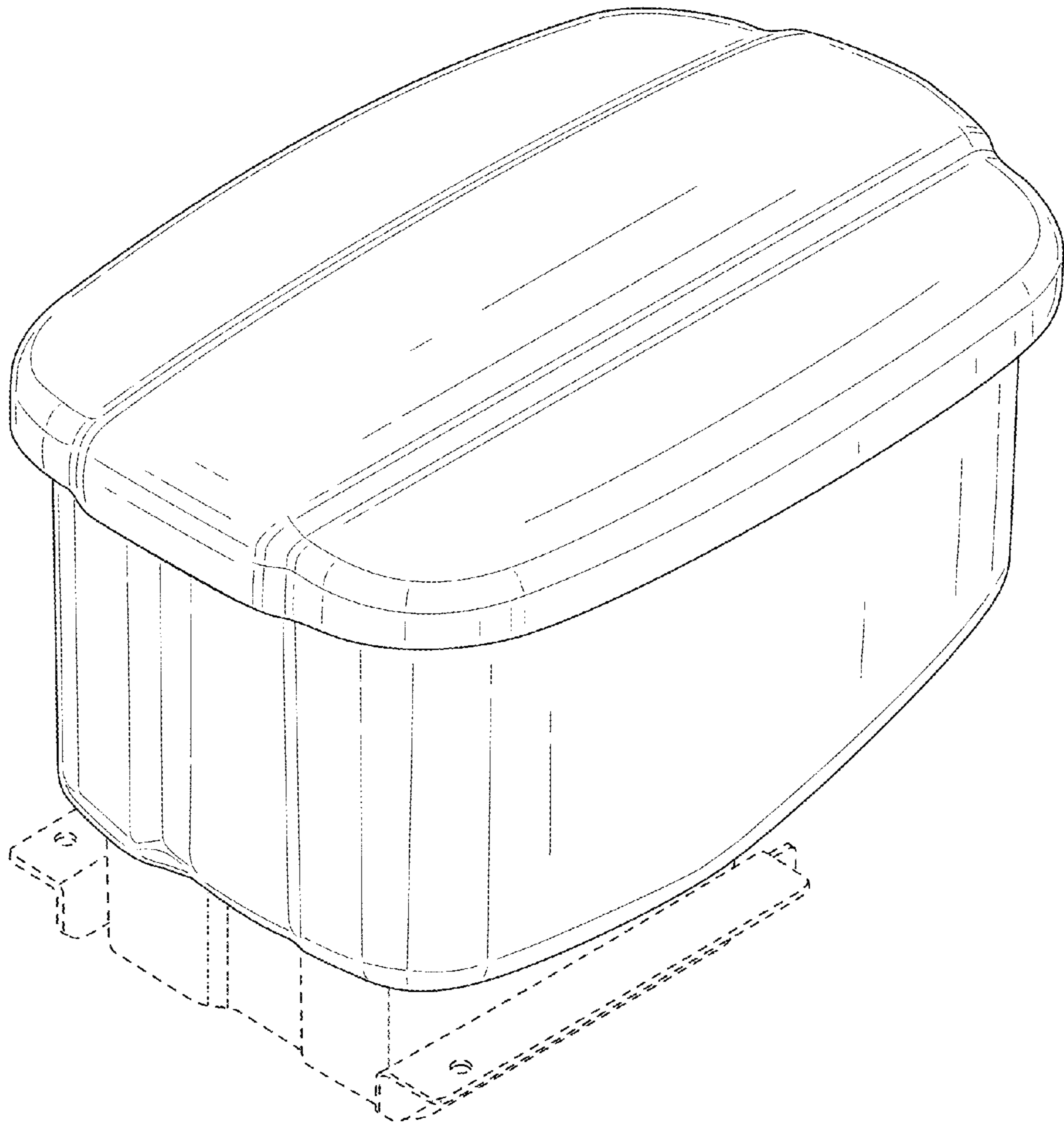


FIG. 1

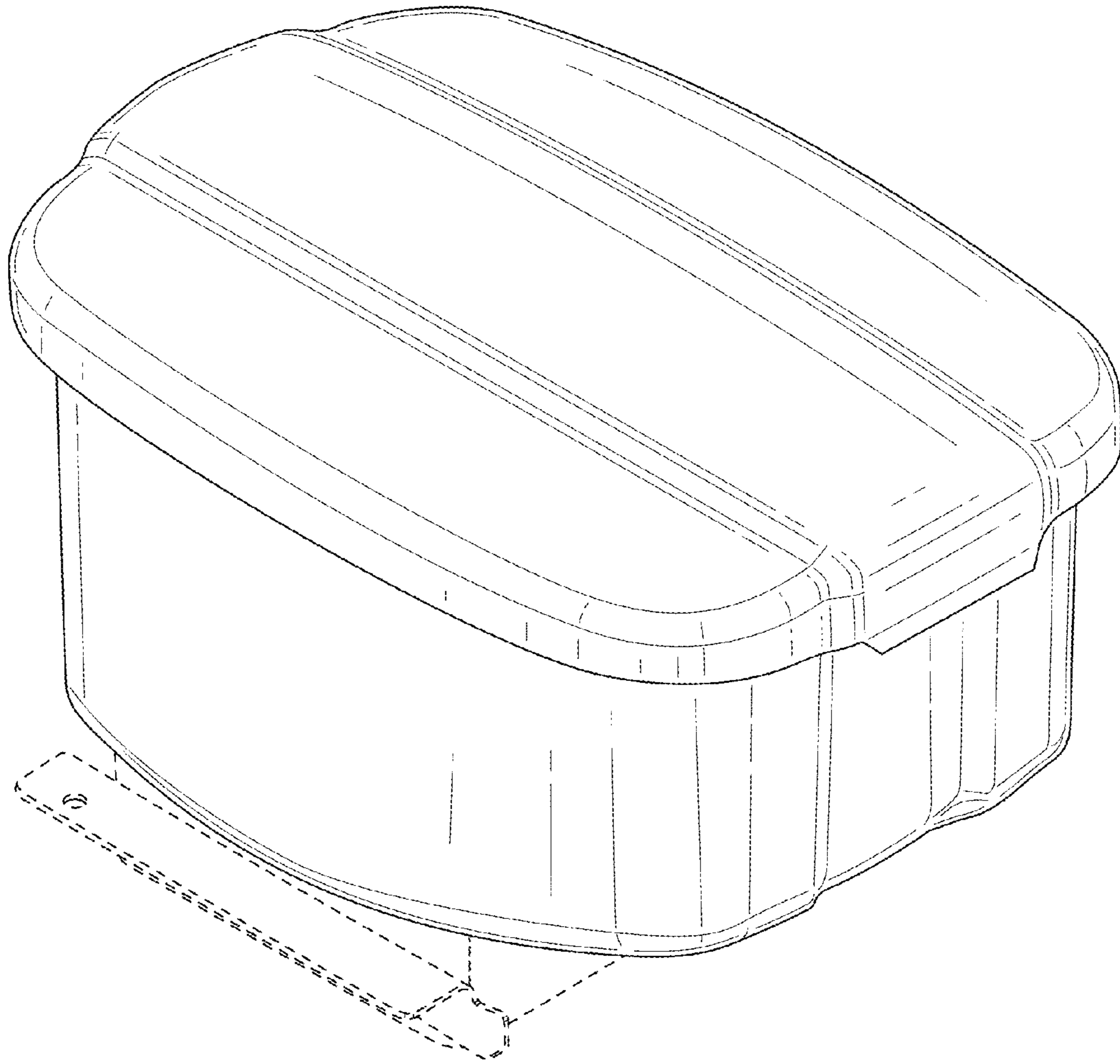


FIG. 2

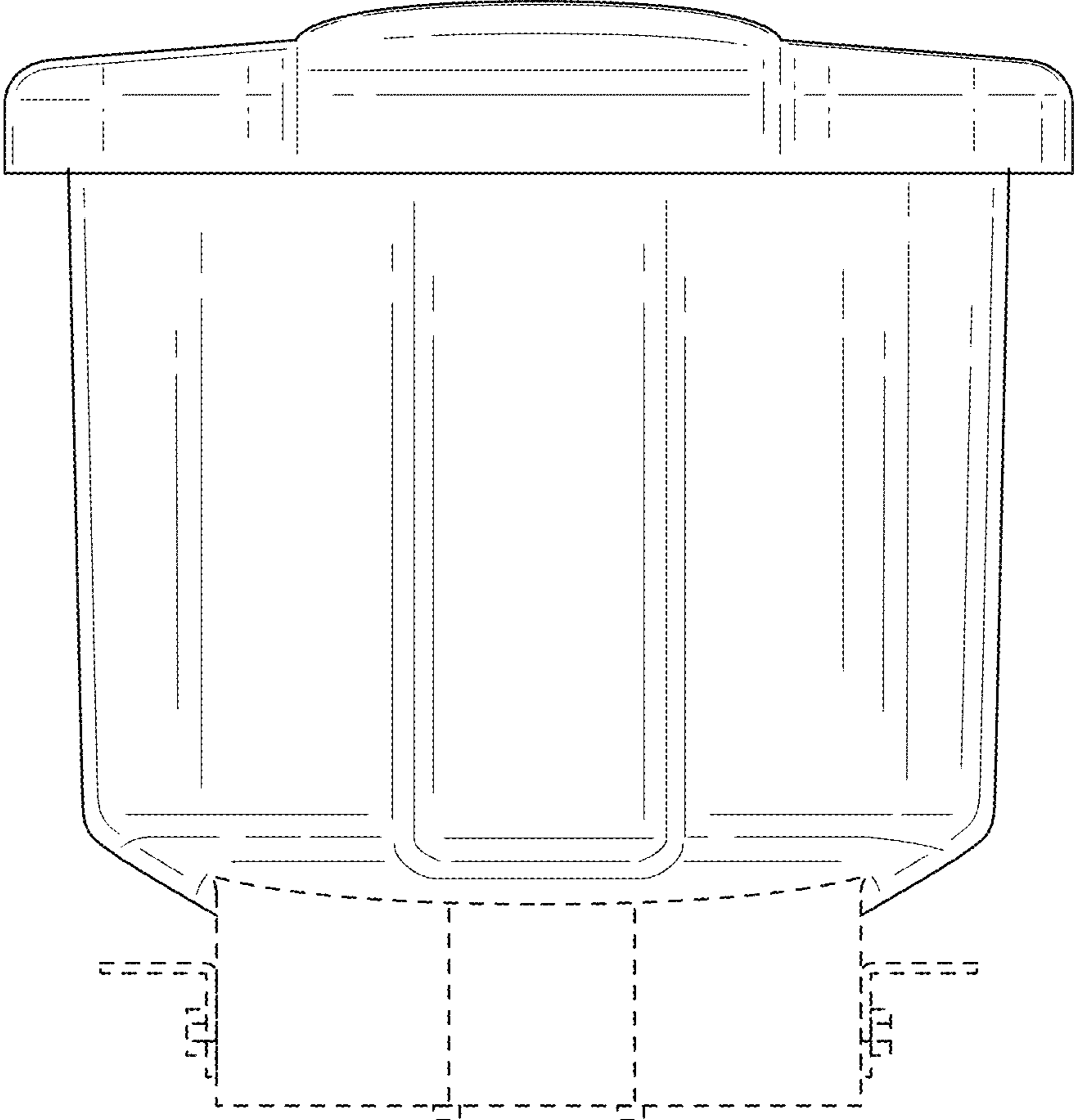


FIG. 3

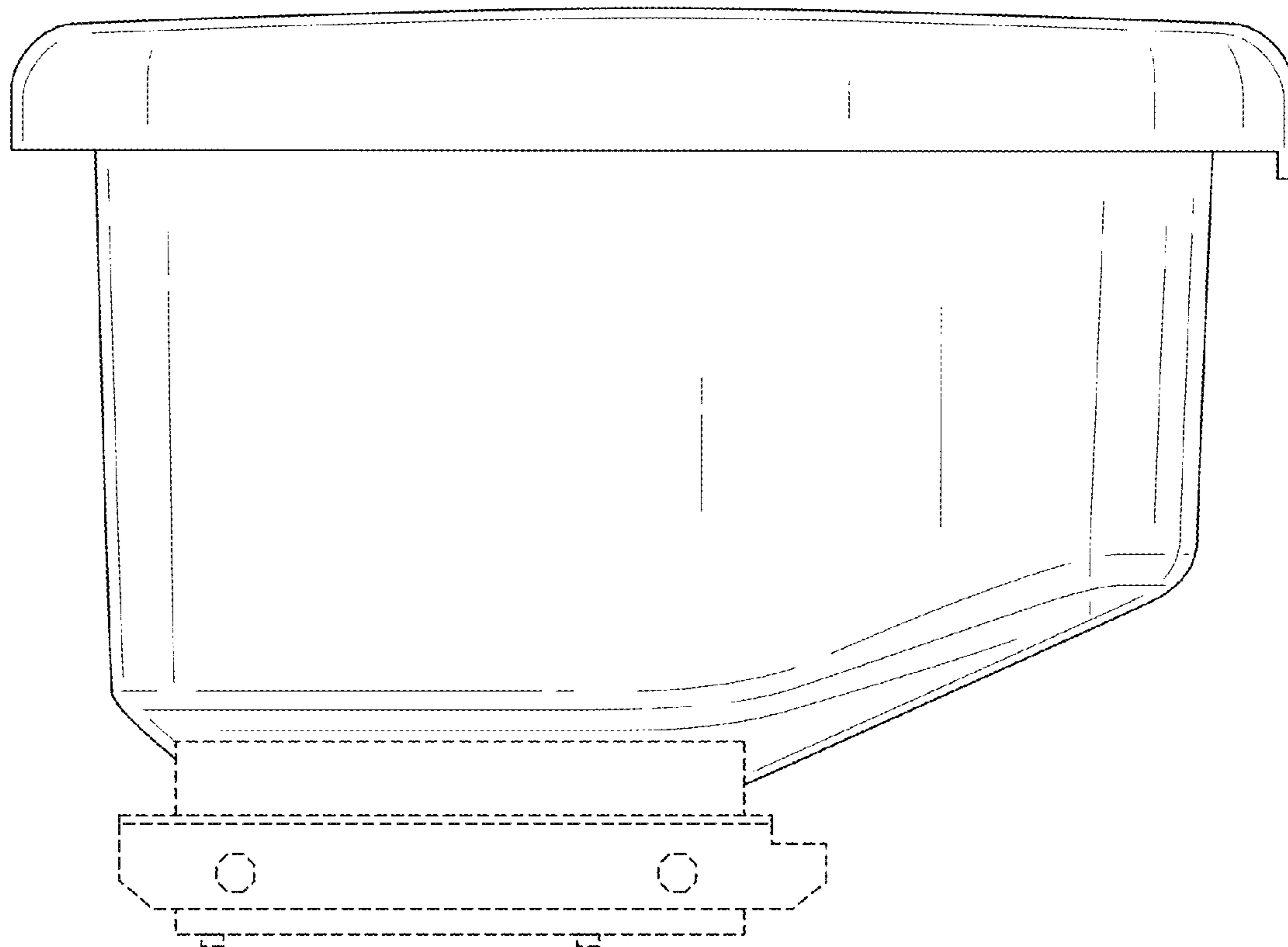


FIG. 4

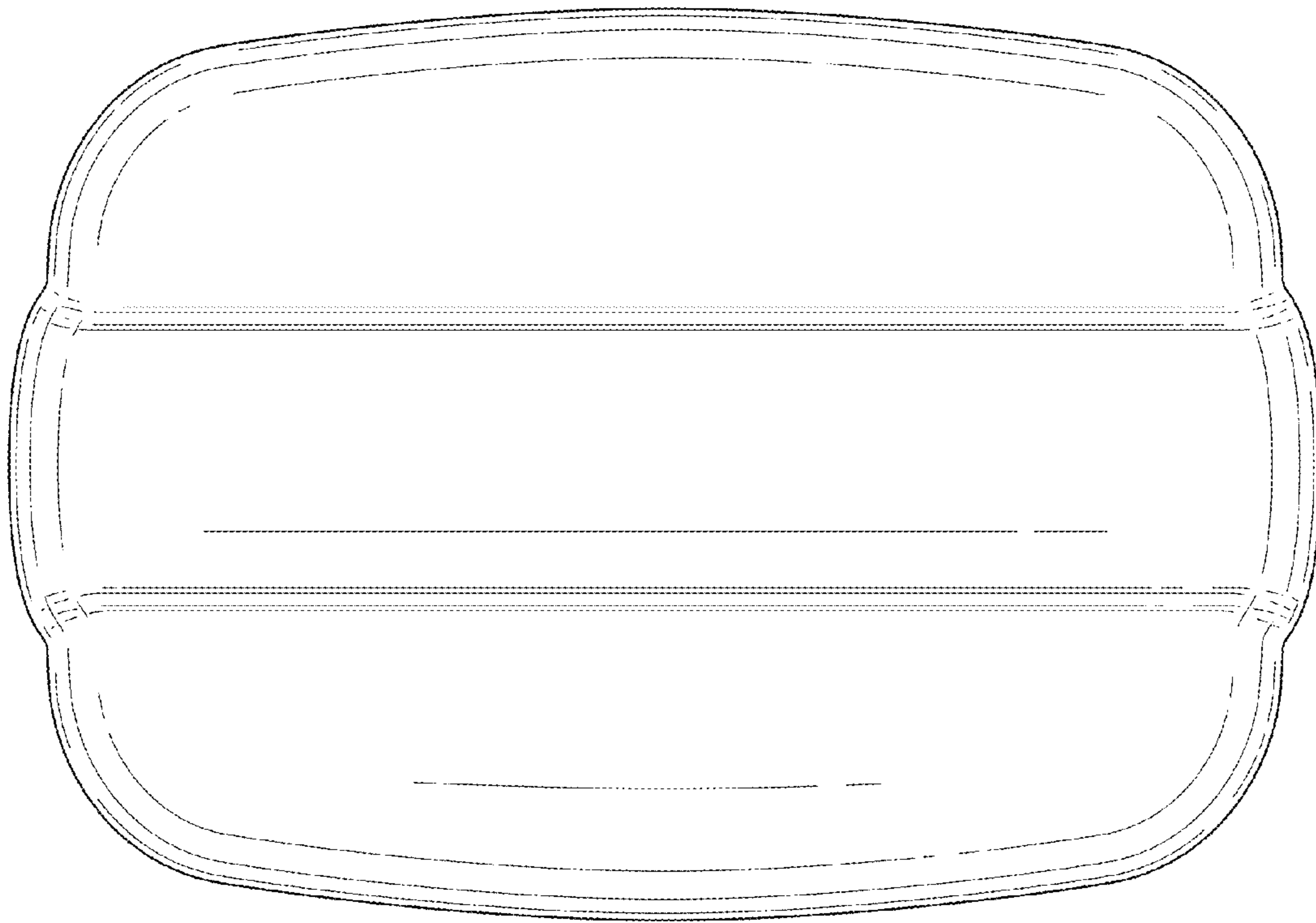


FIG. 5

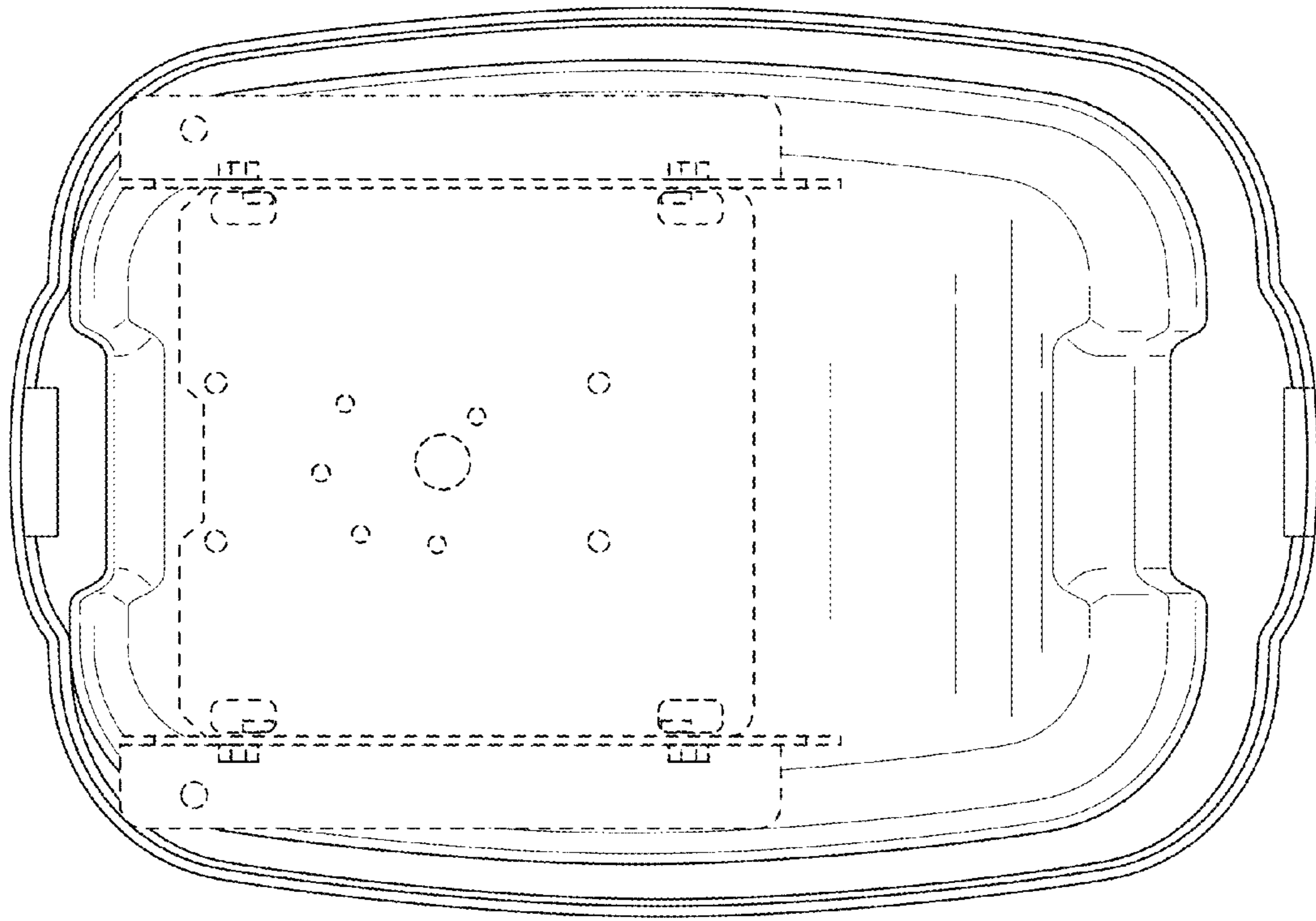


FIG. 6

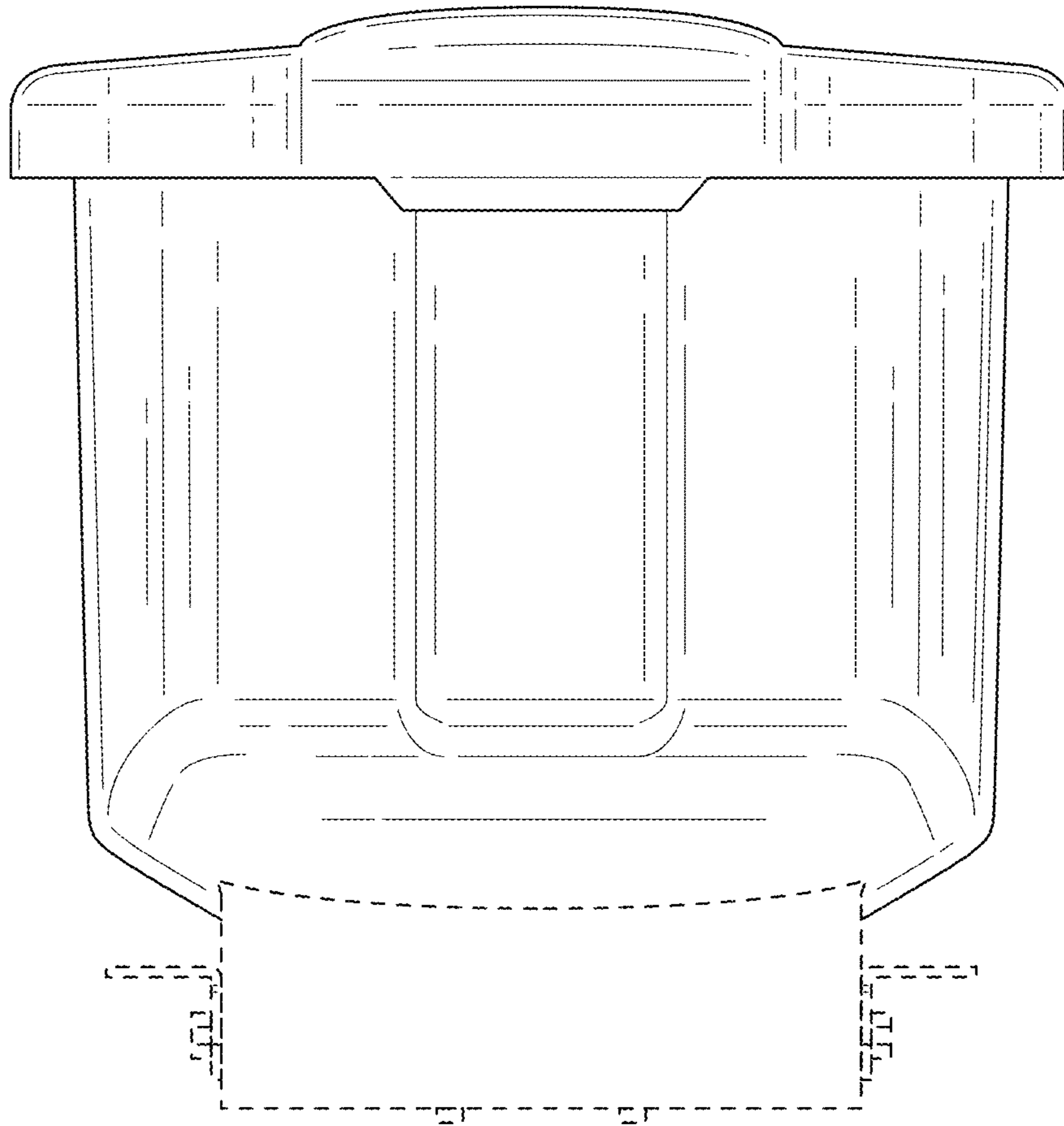


FIG. 7