

US00D736577S

(12) **United States Design Patent**  
**Goodwin et al.**

(10) **Patent No.:** **US D736,577 S**  
(45) **Date of Patent:** **\*\* Aug. 18, 2015**

(54) **APPLICATOR**

(71) Applicant: **OMS Investments, Inc.**, Los Angeles, CA (US)  
(72) Inventors: **Randy M. Goodwin**, Grove City, OH (US); **Paul Havlovitz**, Dublin, OH (US); **Ryan R Berger**, Columbus, OH (US); **Paul Hsu**, Lewis Center, OH (US); **Michael T. Kopczewski**, Grove City, OH (US); **Timothy Michael Martin**, Westerville, OH (US); **Jay F. Perkins**, Pickerington, OH (US)

557,987 A 4/1896 Frank  
813,254 A 2/1906 Sweeney  
1,264,503 A 4/1918 Griffin  
1,456,408 A 5/1923 Scherer  
1,521,831 A 1/1925 Olvawitsz  
1,544,503 A 6/1925 Wayne  
1,595,231 A 8/1926 Dryer  
1,631,951 A 6/1927 McAnsh  
1,912,759 A 6/1933 Clark

(Continued)

**FOREIGN PATENT DOCUMENTS**

EP 0 591 601 9/1992  
EP 0 677 401 10/1995

(Continued)

**OTHER PUBLICATIONS**

International Search Report for International Patent Application No. PCT/US2009/069396 mailed Mar. 1, 2010.

(Continued)

*Primary Examiner* — Sheryl Lane

(74) *Attorney, Agent, or Firm* — Hunton & Williams LLP

(73) Assignee: **OMS Investments, Inc.**, Los Angeles, CA (US)

(\*\*) Term: **14 Years**

(21) Appl. No.: **29/475,913**

(22) Filed: **Dec. 9, 2013**

**Related U.S. Application Data**

(63) Continuation of application No. 29/433,244, filed on Sep. 27, 2012, now abandoned, which is a continuation of application No. 29/386,483, filed on Mar. 1, 2011, now Pat. No. Des. 670,982.

(51) **LOC (10) Cl.** ..... **08-01**

(52) **U.S. Cl.**  
USPC ..... **D8/2; D23/223**

(58) **Field of Classification Search**  
USPC ..... D8/2; D23/224, 225; 239/302, 308, 239/316, 310, 318, 525, 542, 602  
See application file for complete search history.

(56) **References Cited**

**U.S. PATENT DOCUMENTS**

241,307 A 5/1881 Corwin  
260,829 A 7/1882 Bradley  
337,268 A 3/1886 Keedy

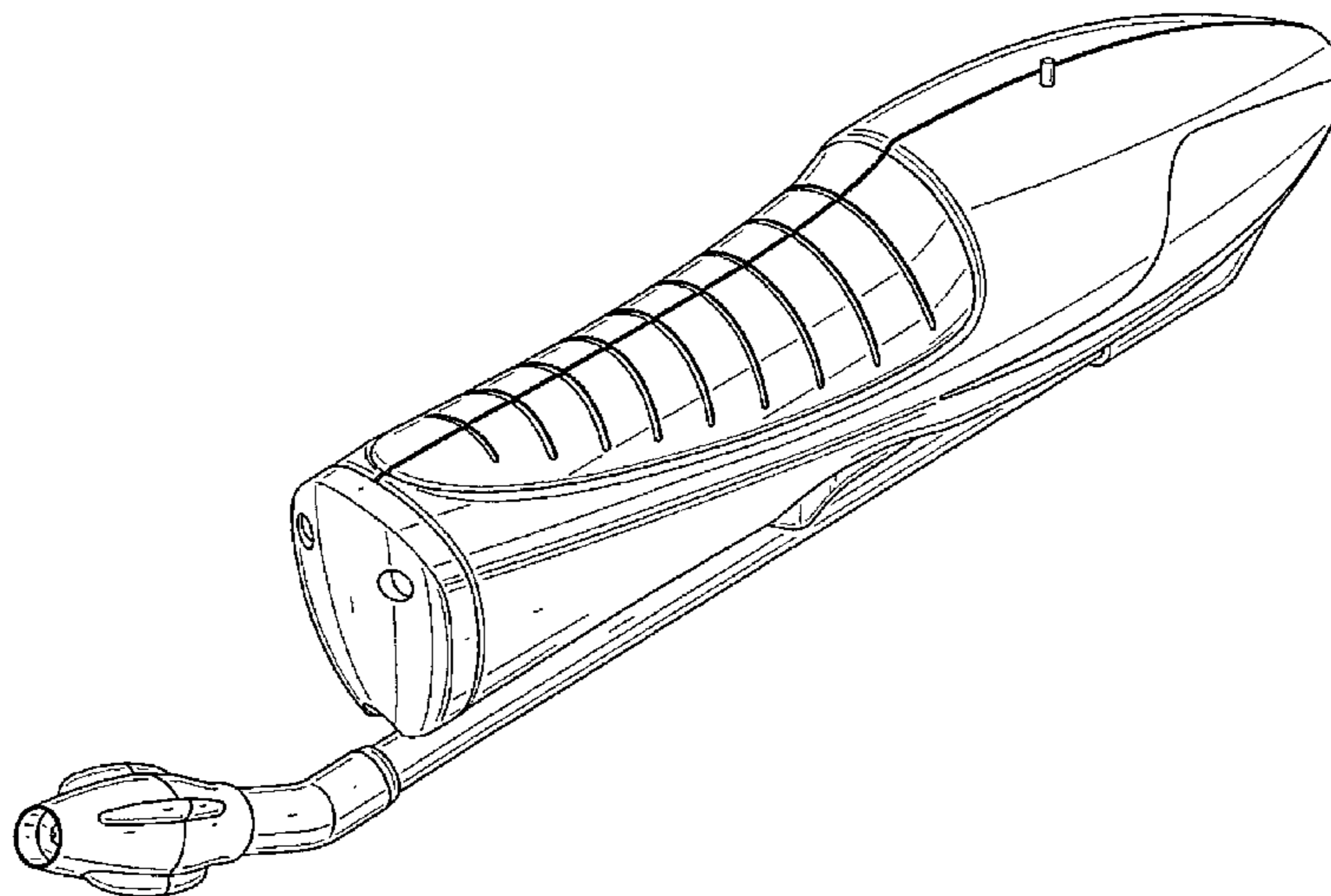
**CLAIM**

(57) The ornamental design for an applicator, as shown and described.

**DESCRIPTION**

FIG. 1 is a perspective view of an applicator.  
FIG. 2 is a front elevation view thereof.  
FIG. 3 is a rear elevation view thereof.  
FIG. 4 is a side elevation view thereof.  
FIG. 5 is an opposite side elevation view thereof.  
FIG. 6 is a top plan view thereof; and,  
FIG. 7 is a bottom plan view thereof.  
The broken line showing of the applicator is included for the purpose of illustrating portions of the article and forms no part of the claimed design.

**1 Claim, 6 Drawing Sheets**



(56)

## References Cited

## U.S. PATENT DOCUMENTS

1,982,094 A	11/1934	Gessler	4,651,930 A	3/1987	Magaha, Jr.
2,006,437 A	7/1935	Burgess et al.	4,664,301 A	5/1987	Hoyt
2,050,522 A	8/1936	Evans et al.	4,706,888 A	11/1987	Dobbs
2,135,665 A	11/1938	Hoban	4,785,850 A	11/1988	Sanchez
2,246,211 A	6/1941	Kilich	D298,848 S	12/1988	Chon et al.
2,248,701 A	7/1941	Fowler	4,811,870 A	3/1989	Bianco
2,293,390 A	8/1942	Hengesback	4,826,085 A	5/1989	Chow et al.
2,348,205 A	5/1944	Chater	4,878,619 A	11/1989	Norman
2,388,445 A	11/1945	Stewart	4,890,792 A	1/1990	Martin et al.
2,416,719 A	3/1947	Stockdale	4,901,923 A	2/1990	McRoskey et al.
2,460,545 A	2/1949	Spreng	4,901,976 A	2/1990	Smith
2,485,723 A	10/1949	Fitzgerald	D306,961 S	4/1990	Emms
2,536,361 A	1/1951	Flanders	D307,628 S	5/1990	Ballu
2,580,629 A	1/1952	Wenzel	4,925,105 A	5/1990	Lin
2,599,678 A	6/1952	Walker	4,982,896 A	1/1991	Crow
2,603,388 A	7/1952	Bryant	D322,838 S	12/1991	Hagedorn
2,647,798 A	8/1953	Ballard	5,069,389 A	12/1991	Bitsakos
2,673,664 A	3/1954	Boysen	D327,528 S	6/1992	Sears
2,711,928 A	6/1955	Randa	5,143,294 A	9/1992	Lintvedt
2,754,152 A	7/1956	Gilmour	5,203,468 A	4/1993	Hsu
2,760,820 A	8/1956	Cirese	5,205,424 A	4/1993	Gaspar
2,788,244 A	4/1957	Gilmour	5,213,264 A	5/1993	Styne
2,788,245 A	4/1957	Gilmour	5,213,265 A	5/1993	Englhard et al.
2,951,645 A	9/1960	Price et al.	5,263,646 A	11/1993	McCauley et al.
2,961,335 A	11/1960	Shepard	5,277,343 A	1/1994	Parsonage
2,981,284 A	4/1961	Putnam	5,279,461 A	1/1994	Darroch
2,991,939 A	7/1961	Packard	5,332,158 A	7/1994	Styne et al.
3,088,679 A	5/1963	Ford	5,335,858 A	8/1994	Dunning et al.
3,104,823 A	9/1963	Hayes	5,346,081 A	9/1994	Lin
3,123,253 A	3/1964	Lambton	5,356,076 A	10/1994	Bishop
3,140,018 A	7/1964	Miller	5,375,769 A	12/1994	Scultz
D200,960 S	4/1965	Beinert	5,388,712 A	2/1995	Brody
3,181,797 A	5/1965	Hayes	5,413,280 A	5/1995	Taylor
3,185,358 A	5/1965	Marler	5,469,993 A	11/1995	Hauf et al.
3,207,443 A	9/1965	Gilmour	5,484,106 A	1/1996	Gilmond
3,233,783 A	2/1966	Thornton	5,499,766 A	3/1996	Foster et al.
3,253,788 A	5/1966	McHugh et al.	5,522,547 A	6/1996	Dobbs et al.
3,254,844 A	6/1966	Blasnik et al.	5,526,985 A	6/1996	Martin
3,255,924 A	6/1966	Modderno	5,590,837 A	1/1997	Grogan
3,319,983 A	5/1967	Rodgers	5,593,094 A	1/1997	Barriac et al.
3,323,685 A	6/1967	Schultz	5,628,461 A	5/1997	Foster et al.
3,372,846 A	3/1968	Berkus	5,641,125 A	6/1997	Martin et al.
3,381,899 A	5/1968	Forsman	5,673,824 A	10/1997	Evans
3,401,840 A	9/1968	McConnell et al.	5,678,768 A	10/1997	Gager et al.
3,443,726 A	5/1969	Muller et al.	5,685,487 A	11/1997	Ellis
3,445,067 A	5/1969	Sheldall	5,727,736 A	3/1998	Tryon
3,447,753 A	6/1969	Proctor et al.	5,738,282 A	4/1998	Grogan
3,467,314 A	9/1969	Grubb	5,755,384 A	5/1998	Foster et al.
3,499,606 A	3/1970	Smith	5,868,321 A	2/1999	Haruch
3,632,046 A	1/1972	Hengesbach	5,878,959 A	3/1999	Smolen, Jr. et al.
3,655,099 A	4/1972	Hazard	5,881,955 A	3/1999	Styne
3,764,074 A	10/1973	James	5,890,628 A	4/1999	Simpson et al.
3,770,205 A	11/1973	Proctor et al.	5,918,621 A	7/1999	Gilmore
3,833,177 A	9/1974	Pasley et al.	5,954,272 A	9/1999	Liao
D234,952 S	4/1975	Rouquie	5,964,415 A	10/1999	Hadar
D235,063 S	5/1975	Gunzel, Jr. et al.	5,975,164 A	11/1999	Whaley et al.
3,940,069 A	2/1976	Gunzel, Jr. et al.	5,996,858 A	12/1999	Tapp et al.
3,964,689 A	6/1976	Horvath	D421,204 S	2/2000	McBride
3,993,245 A	11/1976	Smith	6,126,090 A	10/2000	Wadsworth et al.
4,027,822 A	6/1977	Usher	6,131,774 A	10/2000	Thomas et al.
4,058,259 A	11/1977	Schantz	6,170,706 B1	1/2001	Havlovitz
D251,793 S	5/1979	DeGelder	6,186,366 B1	2/2001	Good et al.
4,153,184 A	5/1979	Parish et al.	6,213,410 B1	4/2001	Spitznagel
4,250,911 A	2/1981	Kratz	6,223,999 B1	5/2001	Lemelshtich et al.
4,291,814 A	9/1981	Conn	6,279,773 B1	8/2001	Kiyota
4,349,157 A	9/1982	Beiswenger et al.	D447,791 S	9/2001	Robidoux
4,382,552 A	5/1983	Lubsen et al.	D448,450 S	9/2001	Lawson et al.
4,396,356 A	8/1983	Thompson	6,293,294 B1	9/2001	Loeb et al.
4,418,869 A	12/1983	Healy	6,390,335 B1	5/2002	Lawson et al.
4,442,977 A	4/1984	Beiswenger et al.	D459,438 S	6/2002	Knowles
4,491,254 A	1/1985	Viets et al.	6,402,053 B1	6/2002	Chih
4,527,740 A	7/1985	Gunzel, Jr. et al.	6,415,956 B1	7/2002	Havlovitz
D281,899 S	12/1985	Gunzel, Jr. et al.	6,419,166 B1	7/2002	Brzezinski et al.
D281,900 S	12/1985	Gunzel, Jr. et al.	6,422,485 B1	7/2002	Hsu
4,624,413 A	11/1986	Corsette	6,453,953 B1	9/2002	Adriansens et al.
			6,536,684 B1	3/2003	Wei
			6,546,949 B1	4/2003	Gilmore
			D476,558 S	7/2003	Cho et al.
			6,595,437 B1	7/2003	Lawson et al.

(56)

**References Cited**

U.S. PATENT DOCUMENTS

6,604,546 B1 8/2003 Gilmore  
 6,609,733 B2 8/2003 Gilmore  
 6,612,506 B1 9/2003 Huang  
 6,712,292 B1 3/2004 Gosis et al.  
 6,715,698 B2 4/2004 Foster et al.  
 6,726,123 B2 4/2004 Wang  
 D489,970 S 5/2004 Nelson et al.  
 6,851,632 B2 2/2005 Ferrazza et al.  
 6,896,203 B1 5/2005 Restive  
 D507,493 S 7/2005 Nelson et al.  
 6,976,640 B2 12/2005 Chen  
 6,976,644 B2 12/2005 Troudt  
 6,978,946 B2 12/2005 Sweeton  
 6,988,675 B2 1/2006 Hubmann et al.  
 7,017,833 B2 3/2006 Foster  
 7,021,571 B1 4/2006 Lawson et al.  
 D524,906 S 7/2006 Birrenkott et al.  
 7,083,125 B2 8/2006 Westphal et al.  
 7,086,610 B2 8/2006 Hubmann et al.  
 D529,575 S 10/2006 Birrenkott et al.  
 7,156,324 B2 1/2007 Birrenkott et al.  
 7,168,629 B2 1/2007 Timmes et al.  
 D537,359 S 2/2007 Butler et al.  
 7,182,280 B2 2/2007 Ye et al.  
 D539,142 S 3/2007 Butler et al.  
 D542,373 S 5/2007 Cooper  
 D559,682 S 1/2008 Meeker et al.  
 D561,301 S 2/2008 Troyer  
 D569,478 S 5/2008 Cichy et al.  
 D575,601 S 8/2008 Ricketts  
 D582,272 S 12/2008 Cichy

D619,215 S 7/2010 Havlovitz et al.  
 7,992,809 B1 8/2011 Barnett  
 D653,305 S 1/2012 Hudson  
 2004/0007633 A1 1/2004 Simmons  
 2004/0222246 A1 11/2004 Bates et al.  
 2005/0145270 A1 7/2005 Ray  
 2005/0173452 A1 8/2005 Brown et al.  
 2006/0255183 A1 11/2006 Burdsall et al.  
 2007/0125878 A1 6/2007 Hahn et al.  
 2007/0170285 A1 7/2007 Schouten  
 2007/0228187 A1 10/2007 Nelson et al.  
 2008/0011882 A1 1/2008 Foster et al.  
 2010/0044454 A1 2/2010 Karazniewicz

FOREIGN PATENT DOCUMENTS

EP 0 798 158 10/1997  
 EP 1 022 060 7/2000  
 EP 1 305 055 5/2003  
 EP 1 602 199 12/2005  
 FR 2 708 569 2/1995  
 GB 1 329 788 6/1973  
 GB 1 386 186 3/1975  
 GB 2 018 626 10/1979  
 GB 2 286 109 8/1995  
 WO 02/09783 2/2002

OTHER PUBLICATIONS

International Search Report for International Patent Application No. PCT/US2006/026119 mailed Jan. 5, 2007.  
 Supplementary European Search Report for European Application No. 06 77 4502 mailed Jan. 5, 2009.  
 Air Wick Odor Stop Product Promotion retrieved from the Internet at [www.winwithairwick.co.nz/airwick\\_entry\\_form.pdf](http://www.winwithairwick.co.nz/airwick_entry_form.pdf) (2006).

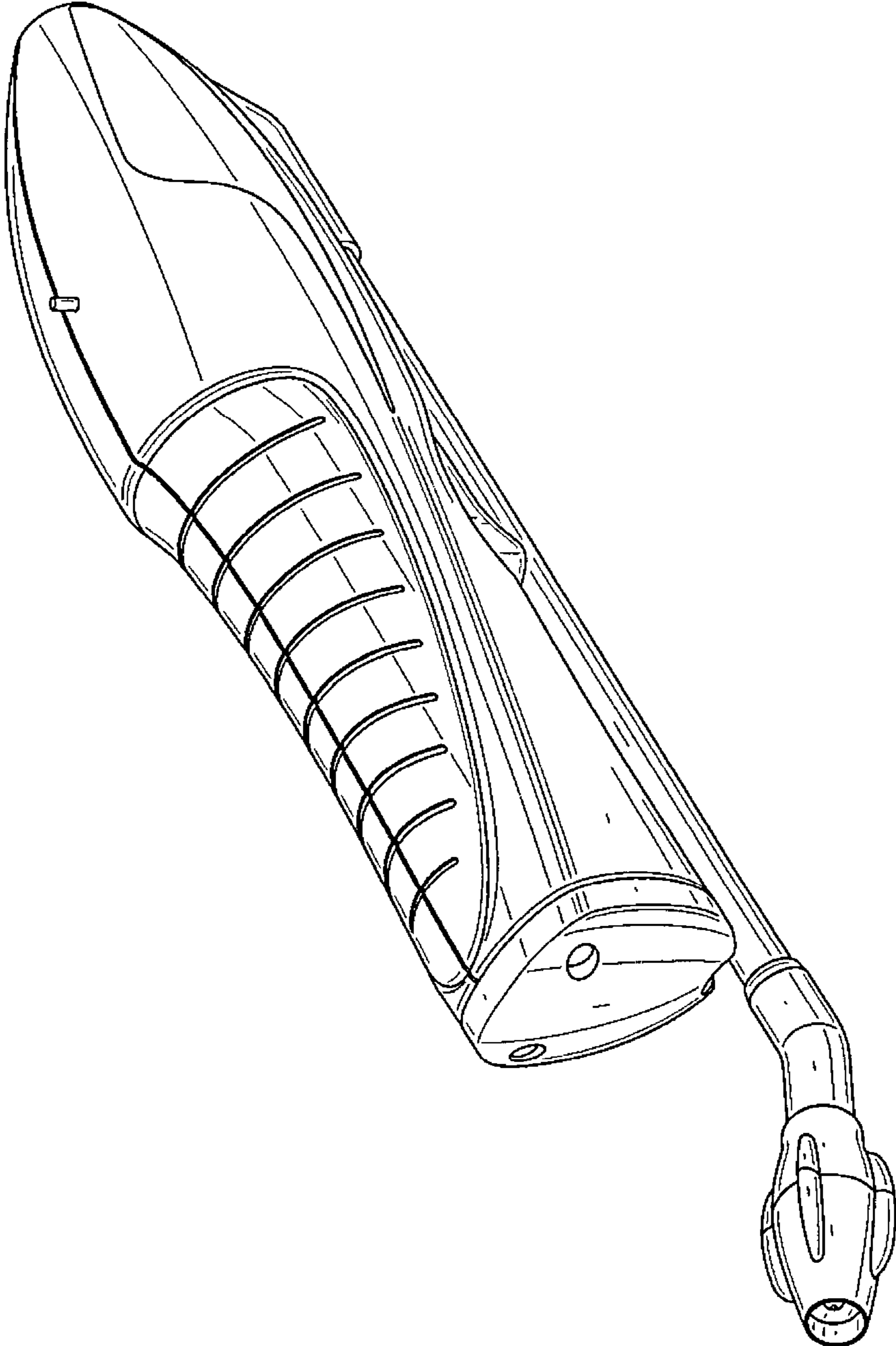


FIG. 1

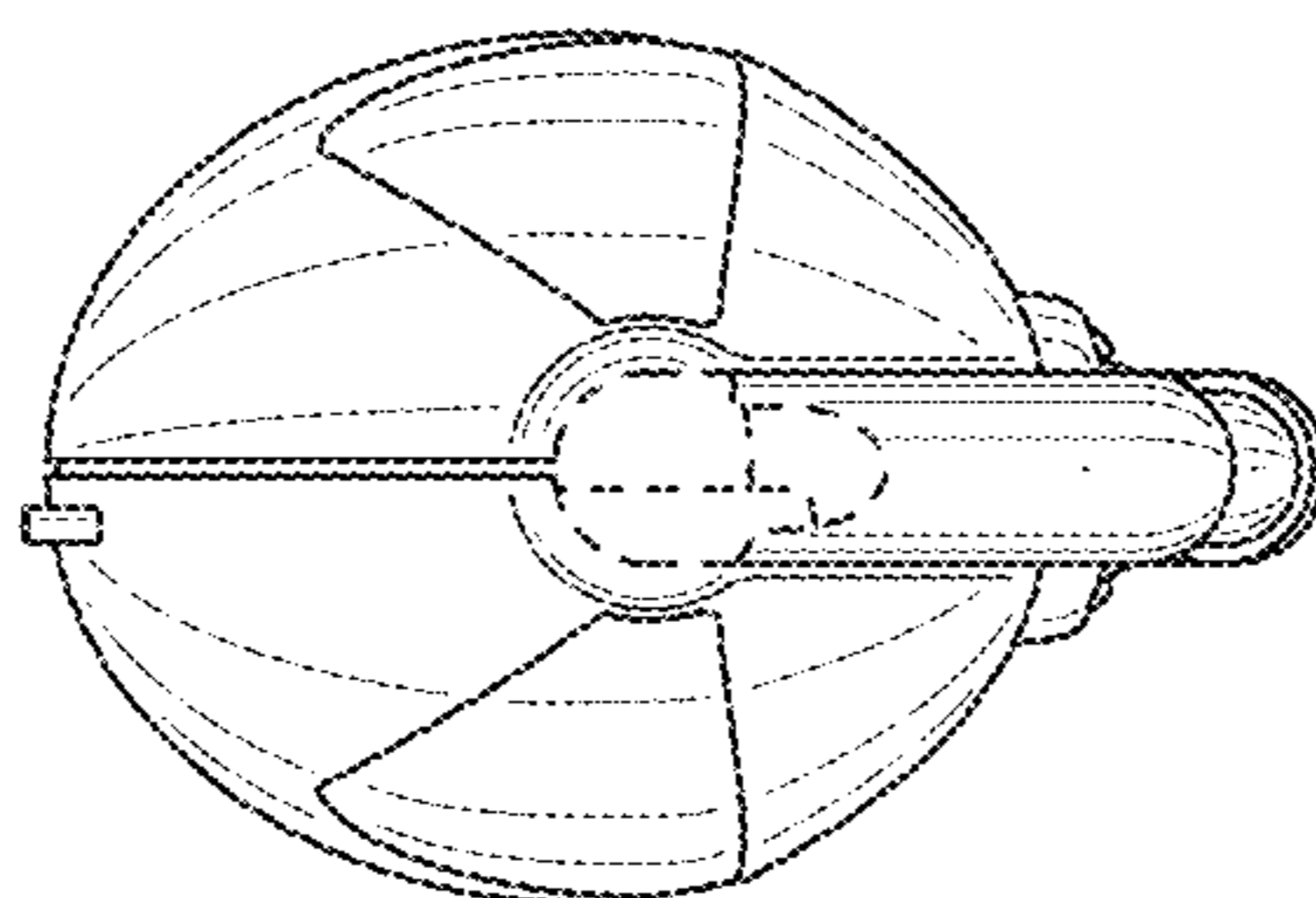


FIG. 3

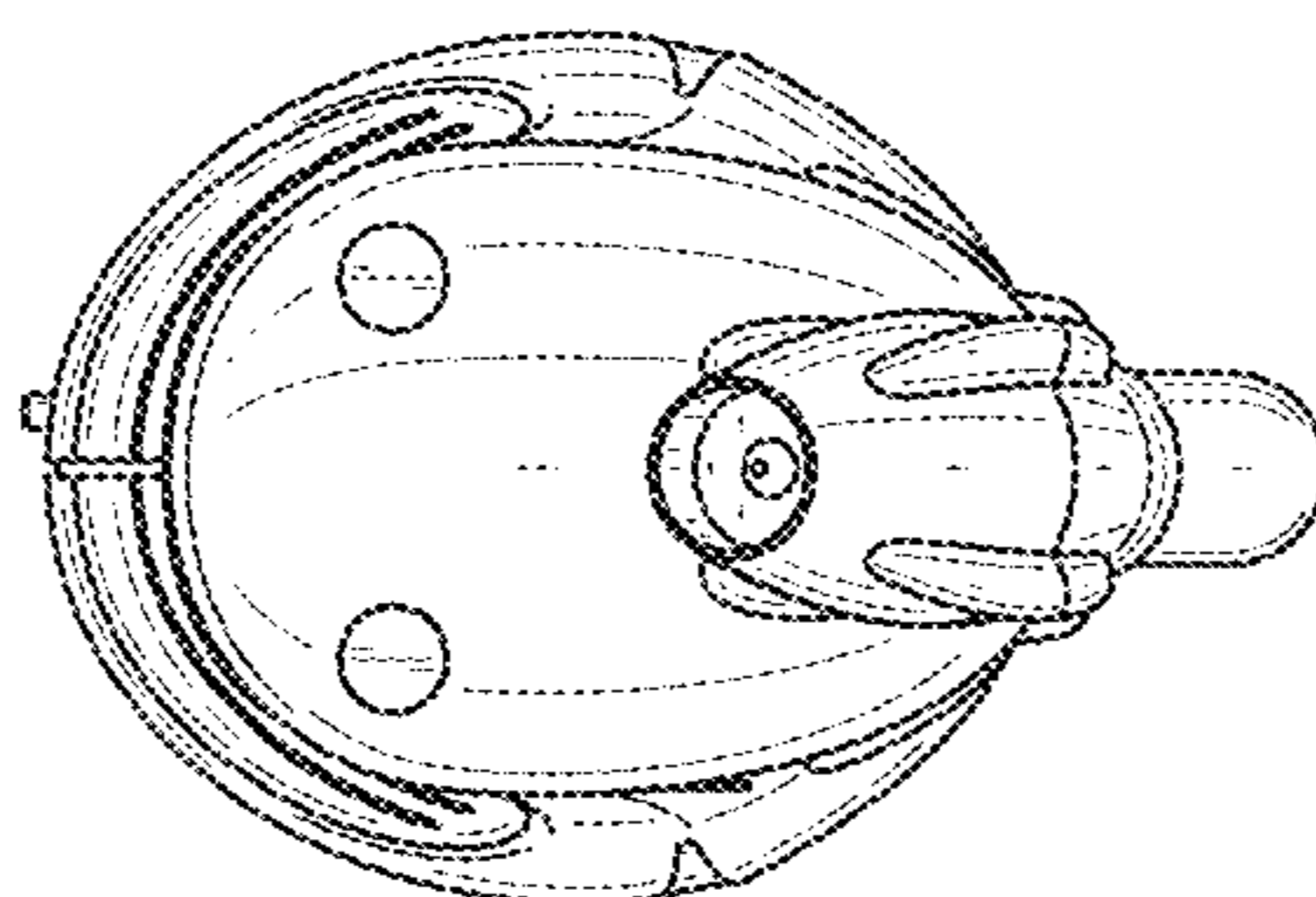


FIG. 2

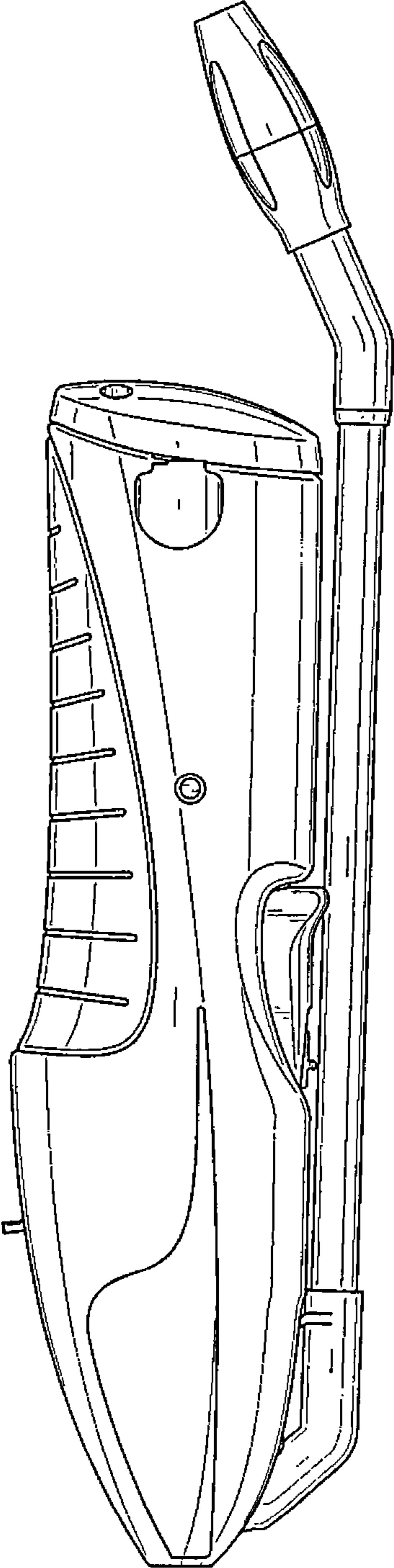


FIG. 4

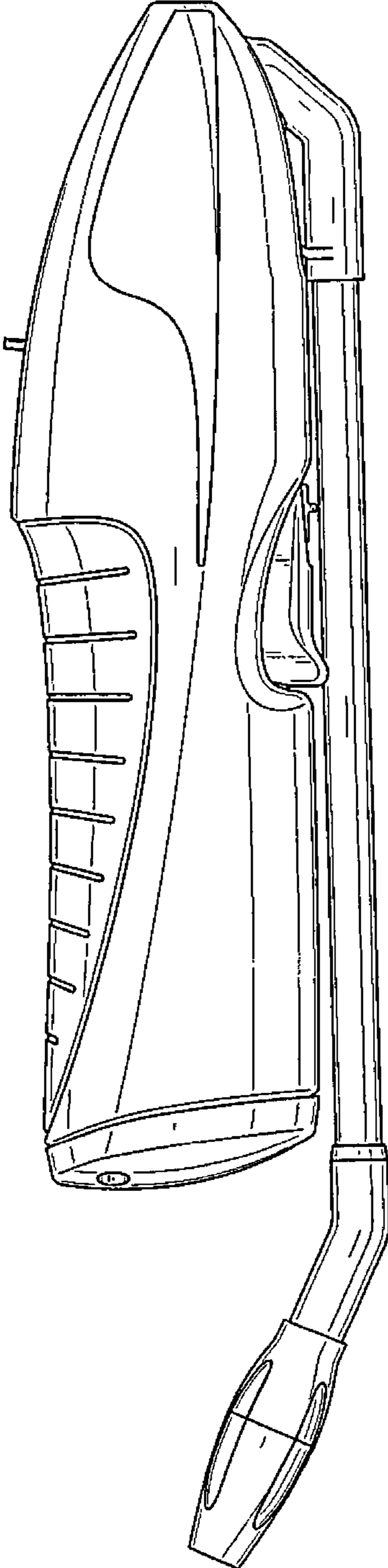


FIG. 5

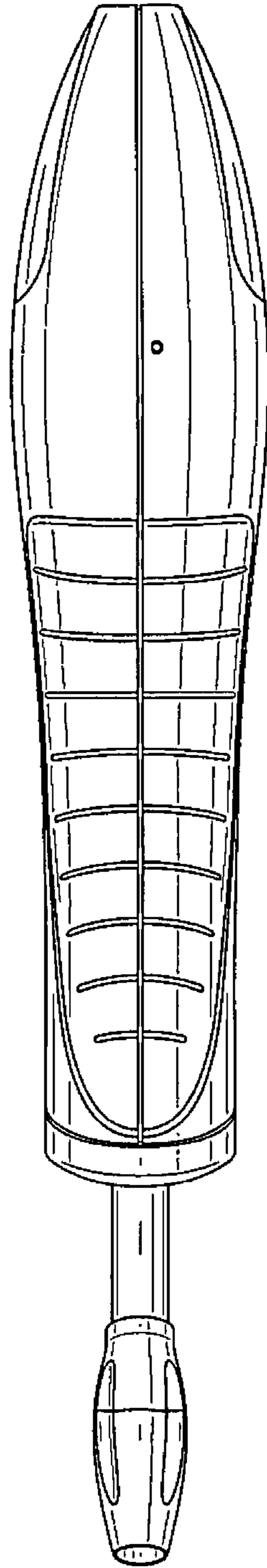


FIG. 6



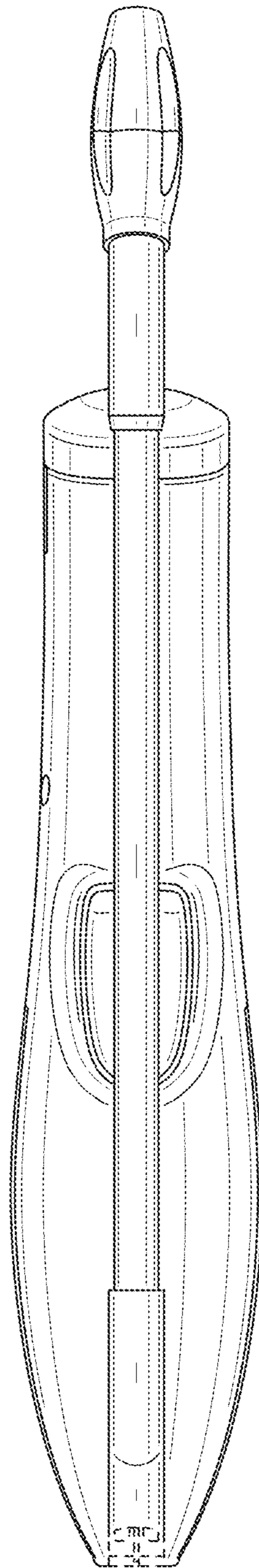


FIG. 7