



US00D736575S

(12) **United States Design Patent**
Tufford et al.

(10) **Patent No.:** **US D736,575 S**

(45) **Date of Patent:** **** Aug. 18, 2015**

(54) **BARBECUE GRILL LIFTING TOOL**

6,000,739 A 12/1999 Zemit et al.
7,213,851 B2 * 5/2007 Mann 294/26
8,579,341 B2 * 11/2013 Greer 294/9

(71) Applicants: **Robert Tufford**, Guelph (CA); **Karen Tufford**, Guelph (CA)

* cited by examiner

(72) Inventors: **Robert Tufford**, Guelph (CA); **Karen Tufford**, Guelph (CA)

Primary Examiner — Terry Wallace
(74) *Attorney, Agent, or Firm* — Crossley Patent Law

(**) Term: **14 Years**

(57) **CLAIM**

(21) Appl. No.: **29/481,814**

The ornamental design for a barbecue grill lifting tool, as shown and described.

(22) Filed: **Feb. 11, 2014**

(51) **LOC (10) Cl.** **07-99**

(52) **U.S. Cl.**
USPC **D7/669**

(58) **Field of Classification Search**
USPC D7/669, 368, 387, 688, 412; 294/9, 10,
294/12, 24, 26, 27.1; 7/110, 109, 167
CPC A47J 37/0786; A47J 45/10
See application file for complete search history.

DESCRIPTION

FIG. 1 is a top plan view of a barbecue grill lifting tool showing our new design with a pair of handles separated for clarity;
FIG. 2 is a bottom plan view thereof;
FIG. 3 is a right side elevation view thereof, the opposite side being a mirror image of the shown;
FIG. 4 is a front elevation view thereof;
FIG. 5 is a rear elevation view thereof; and,
FIG. 6 is an isometric view thereof.
The broken lines in FIG. 6 of the drawings depict a barbecue grill as environmental subject matter only and form no part of the claimed design.

(56) **References Cited**

U.S. PATENT DOCUMENTS

2,007,039 A * 7/1935 Dickson 294/159
4,482,181 A * 11/1984 Shepherd 294/12
5,136,830 A * 8/1992 Langdon 56/320.1

1 Claim, 5 Drawing Sheets

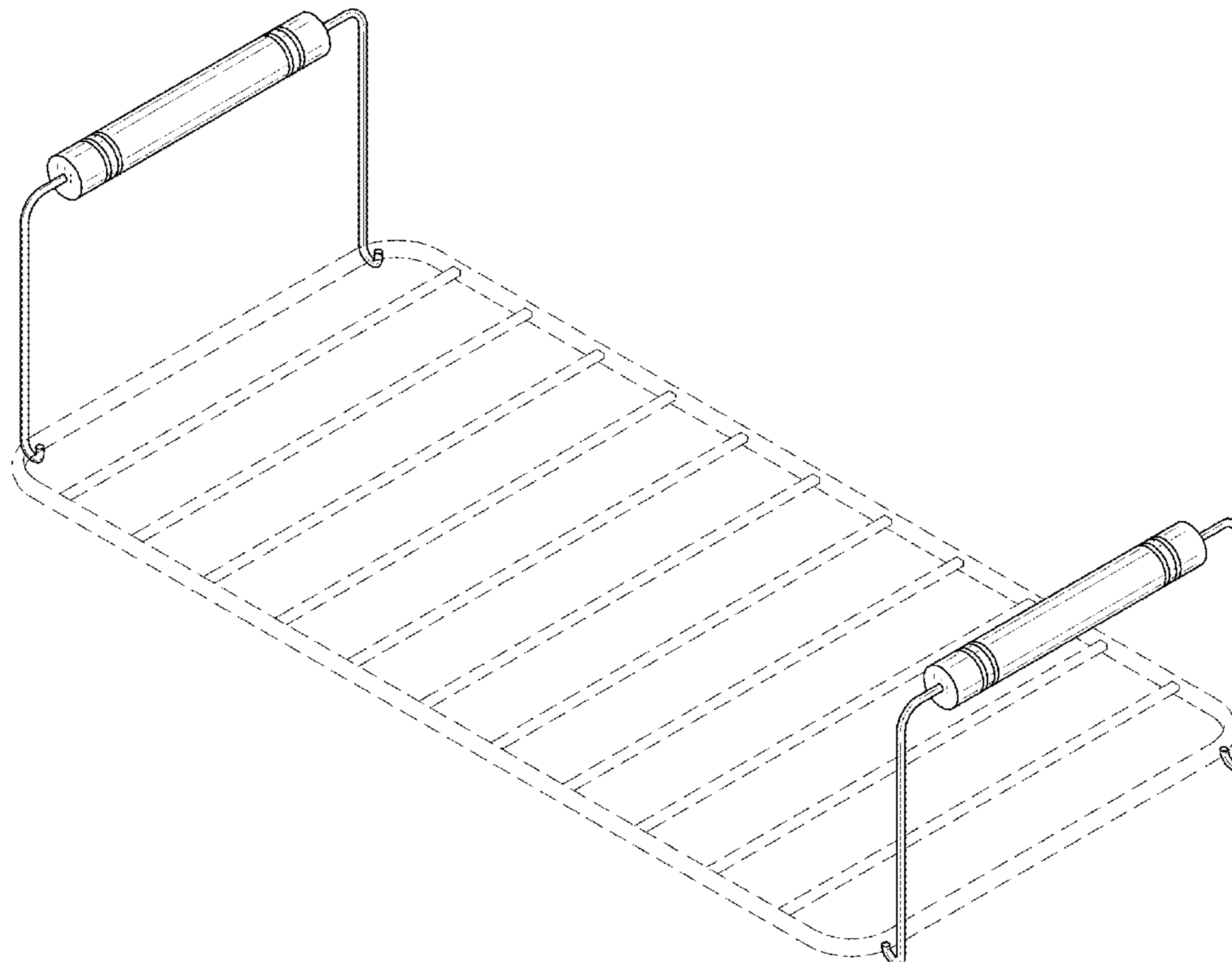


FIG. 1

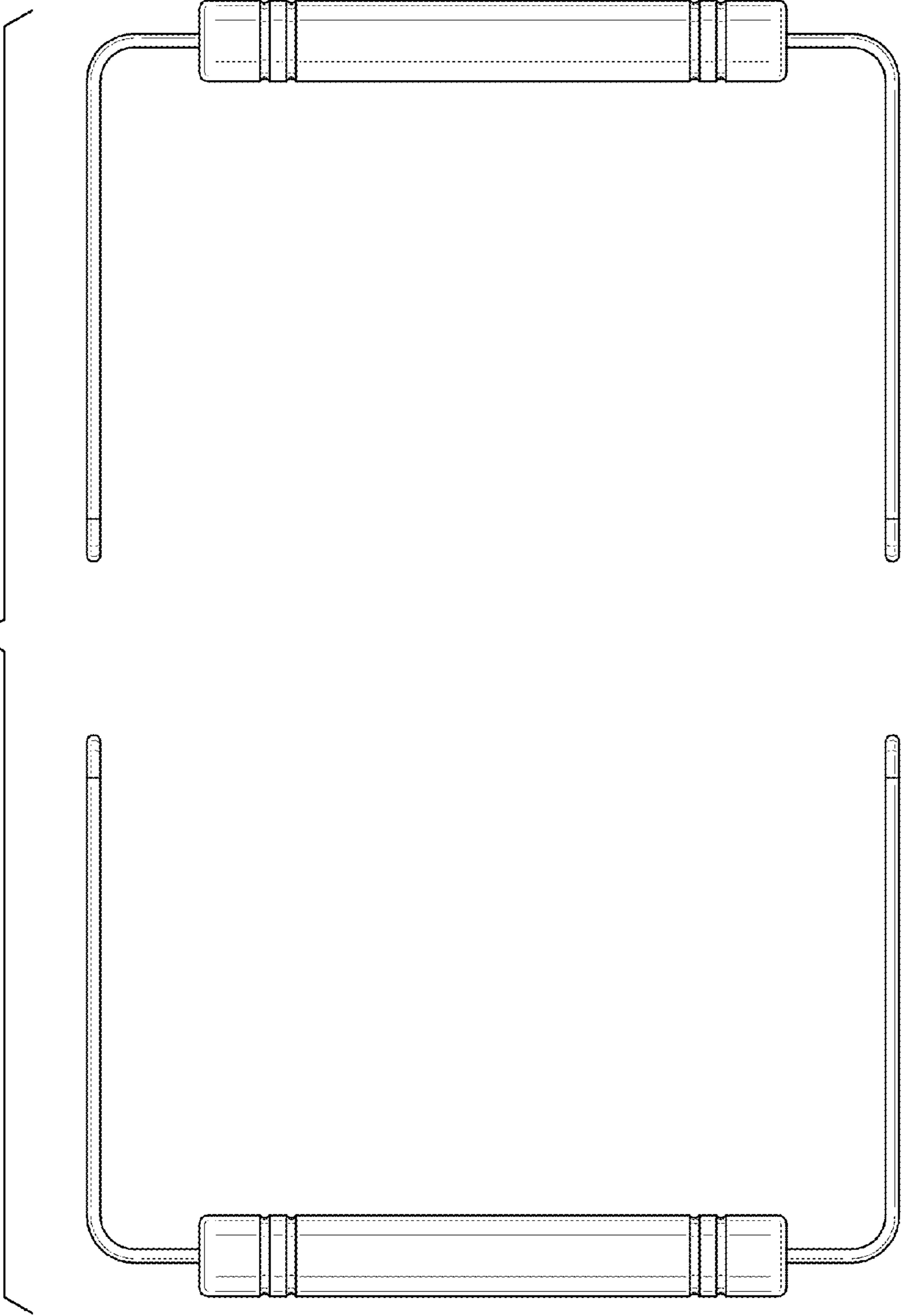


FIG. 2

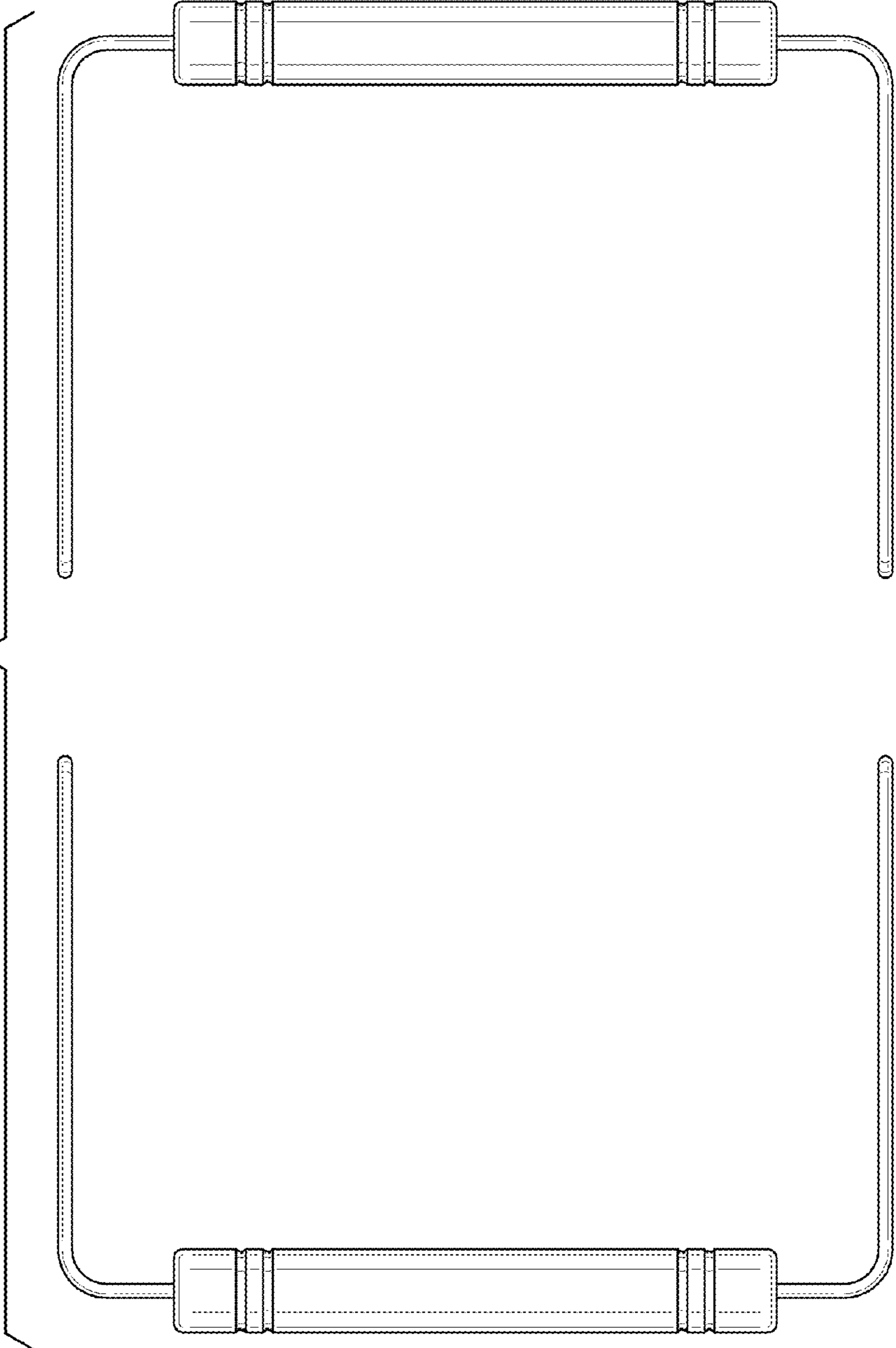
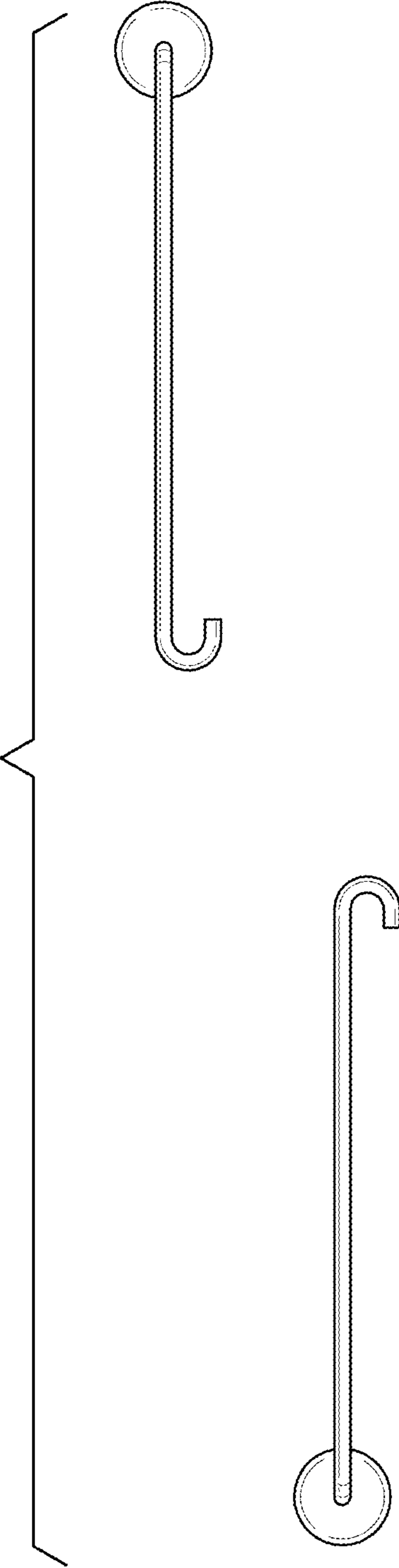
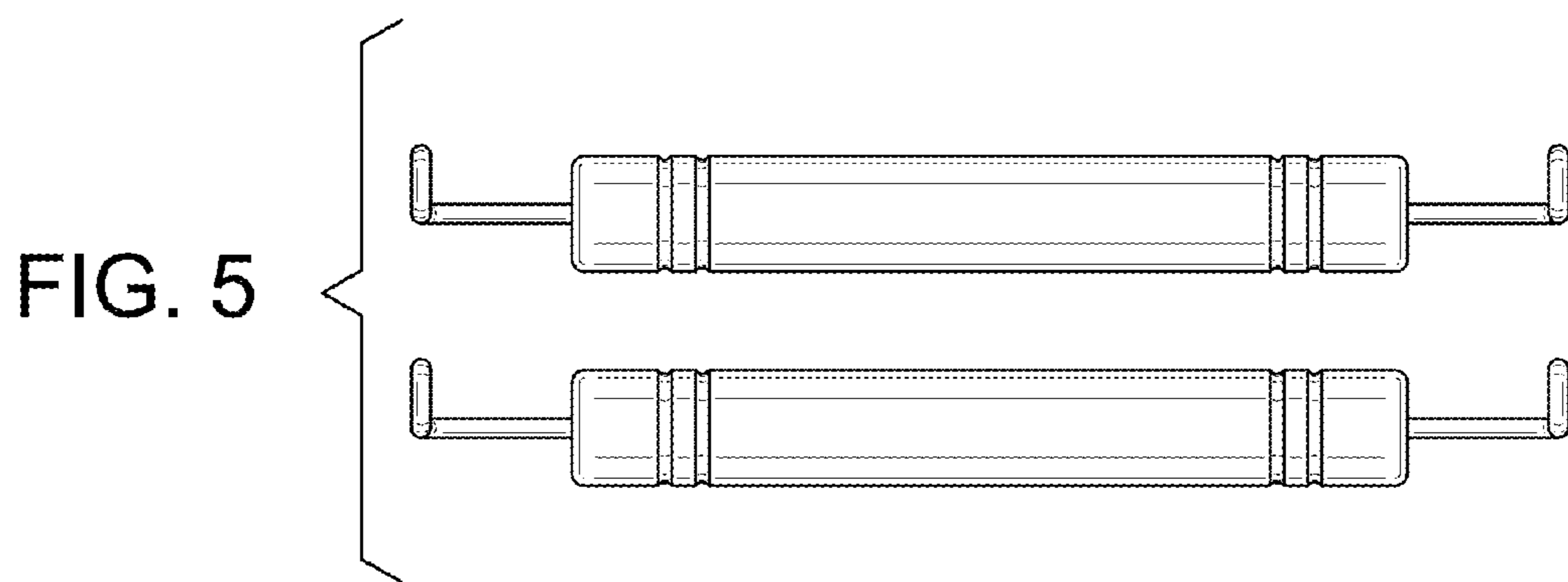
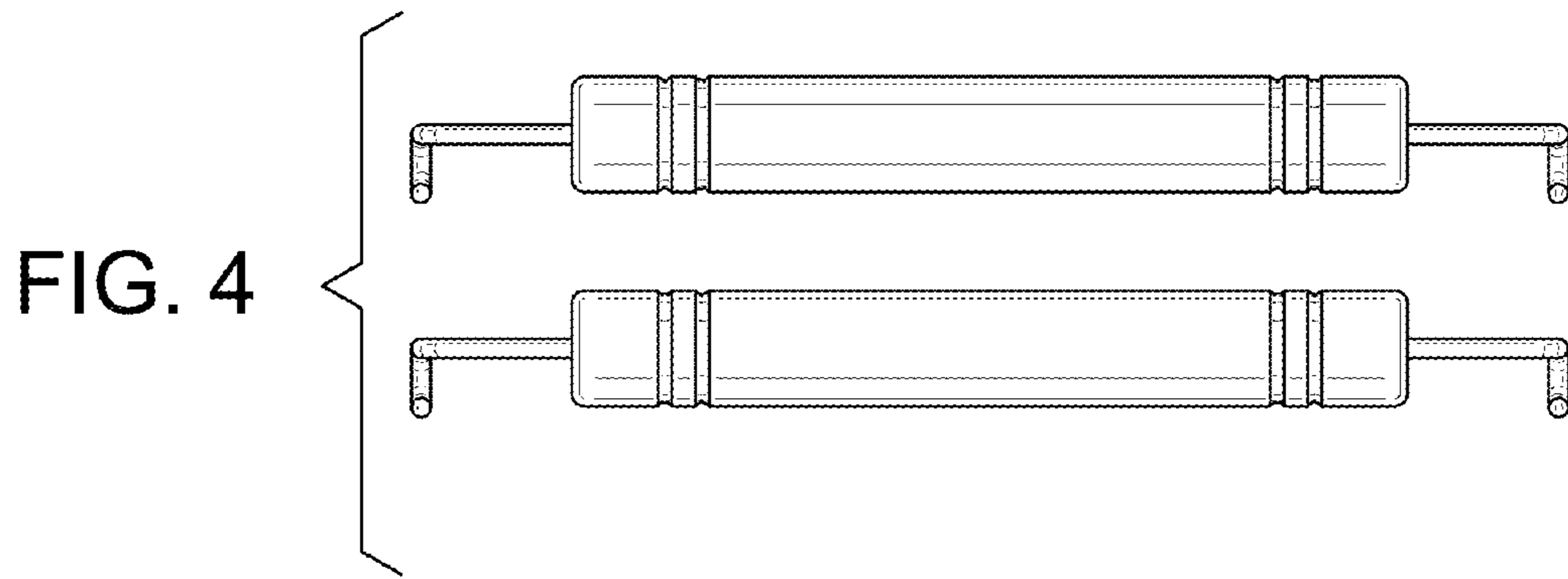


FIG. 3





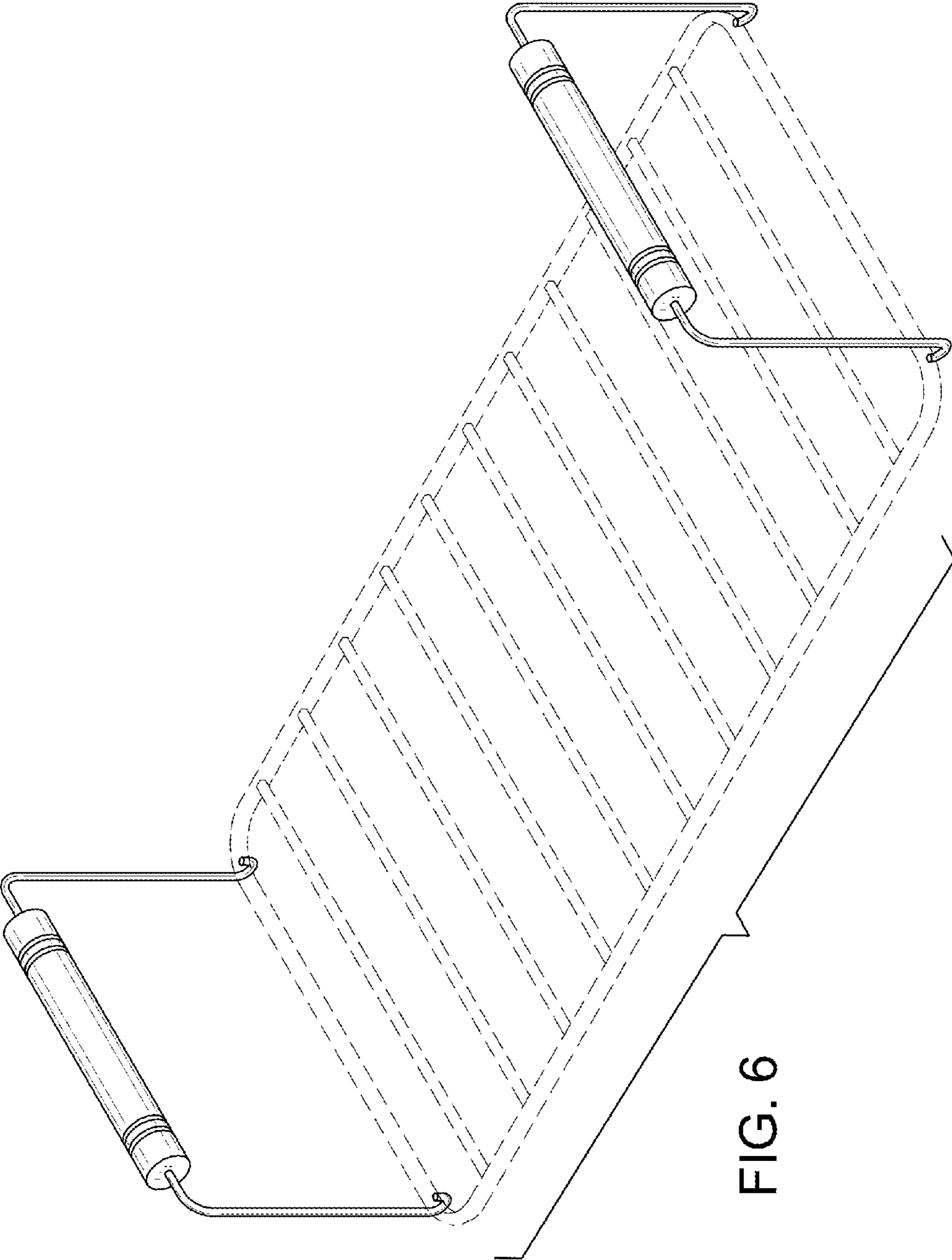


FIG. 6