



US00D736574S

(12) **United States Design Patent**
Freeman et al.

(10) **Patent No.:** **US D736,574 S**

(45) **Date of Patent:** **** Aug. 18, 2015**

(54) **STRAINER**

(71) Applicant: **FREE-GEN INNOVATIONS PTY LTD**, Clovelly, New South Wales (AU)

(72) Inventors: **Tom Freeman**, Clovelly (AU); **Moana Nguyen**, Greenfield Park (AU)

(73) Assignee: **FREE-GEN INNOVATIONS PTY LTD**, Clovelly, New South Wales (AU)

(**) Term: **14 Years**

(21) Appl. No.: **29/480,248**

(22) Filed: **Jan. 24, 2014**

(30) **Foreign Application Priority Data**

Jul. 25, 2013 (AU) 13552/2013

(51) **LOC (10) Cl.** **07-04**

(52) **U.S. Cl.**
USPC **D7/667**

(58) **Field of Classification Search**
USPC D7/667, 668, 368, 669, 538-542, 584, D7/586, 587, 400; 100/110, 113, 116, 117, 100/127, 213, 248; 210/314, 249, 480, 481, 210/464, 470-478, 497.01, 497.1, 498, 499, 210/495-497, 456, 493.3, 493.5; 99/505-510, 497, 403, 345, 324, 325, 99/339, 425, 426, 415
CPC A47J 19/00; A47J 43/24; A47J 47/20
See application file for complete search history.

(56) **References Cited**

U.S. PATENT DOCUMENTS

4,419,232	A *	12/1983	Arntyr et al.	210/164
4,446,158	A *	5/1984	English et al.	426/79
D353,298	S *	12/1994	Hartpence et al.	D7/400
5,736,043	A *	4/1998	Nichols et al.	210/477
D513,942	S *	1/2006	de Groote	D7/665
D625,772	S *	10/2010	Olson et al.	D23/207
D660,645	S *	5/2012	Zandona	D7/400
D666,086	S *	8/2012	Mundhra	D8/499

* cited by examiner

Primary Examiner — Terry Wallace

(74) *Attorney, Agent, or Firm* — Ohlandt, Greeley, Ruggiero & Perle, L.L.P.

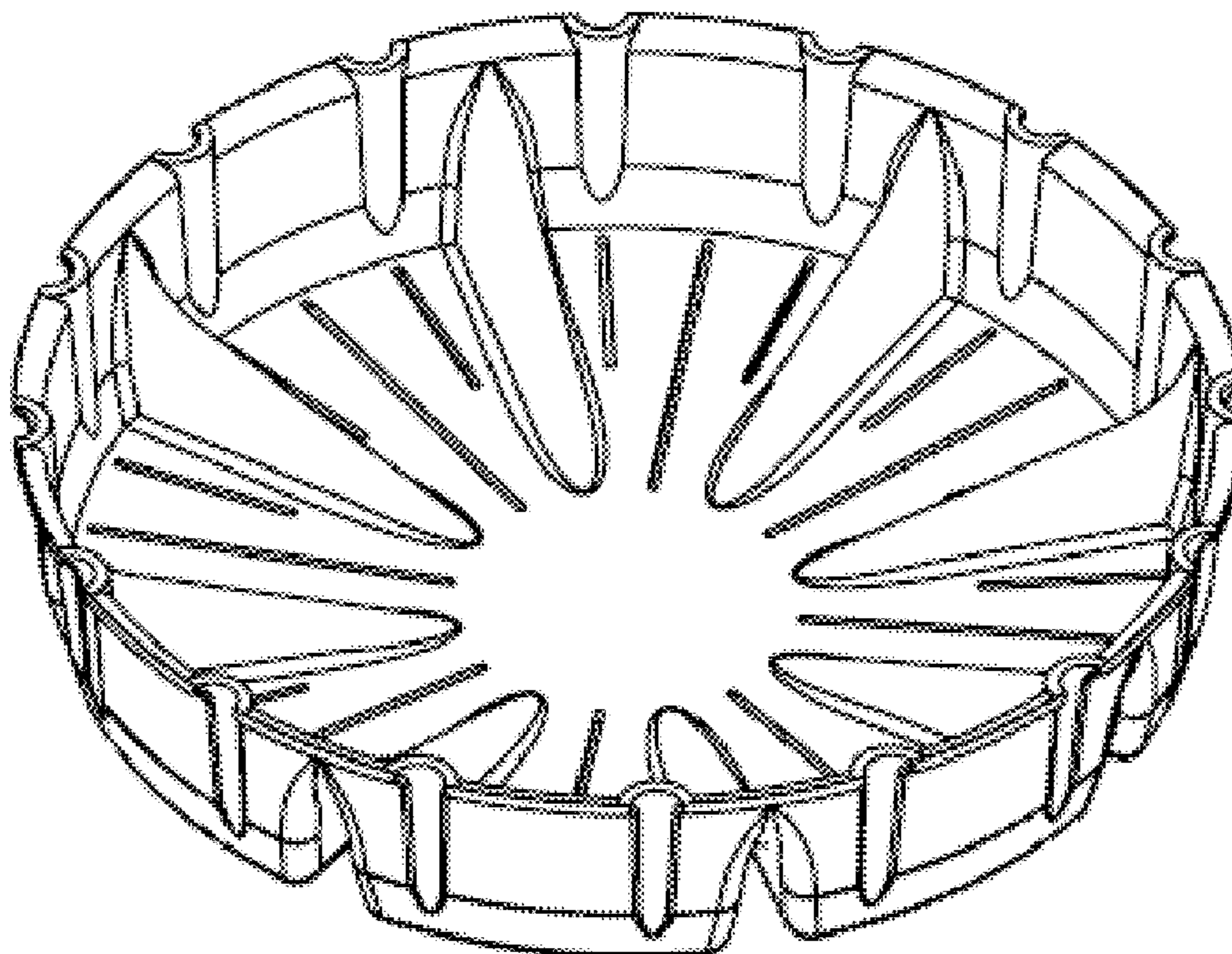
(57) **CLAIM**

The ornamental design for the strainer, as shown.

DESCRIPTION

FIG. 1 is a top perspective view of a strainer according to the present disclosure.
FIG. 2 is a bottom perspective view of the strainer of FIG. 1.
FIG. 3 is a top view of the strainer of FIG. 1.
FIG. 4 is a cross section view thereof taken along line 4-4 of FIG. 3; and,
FIG. 5 is a side view of the strainer of FIG. 1.

1 Claim, 3 Drawing Sheets



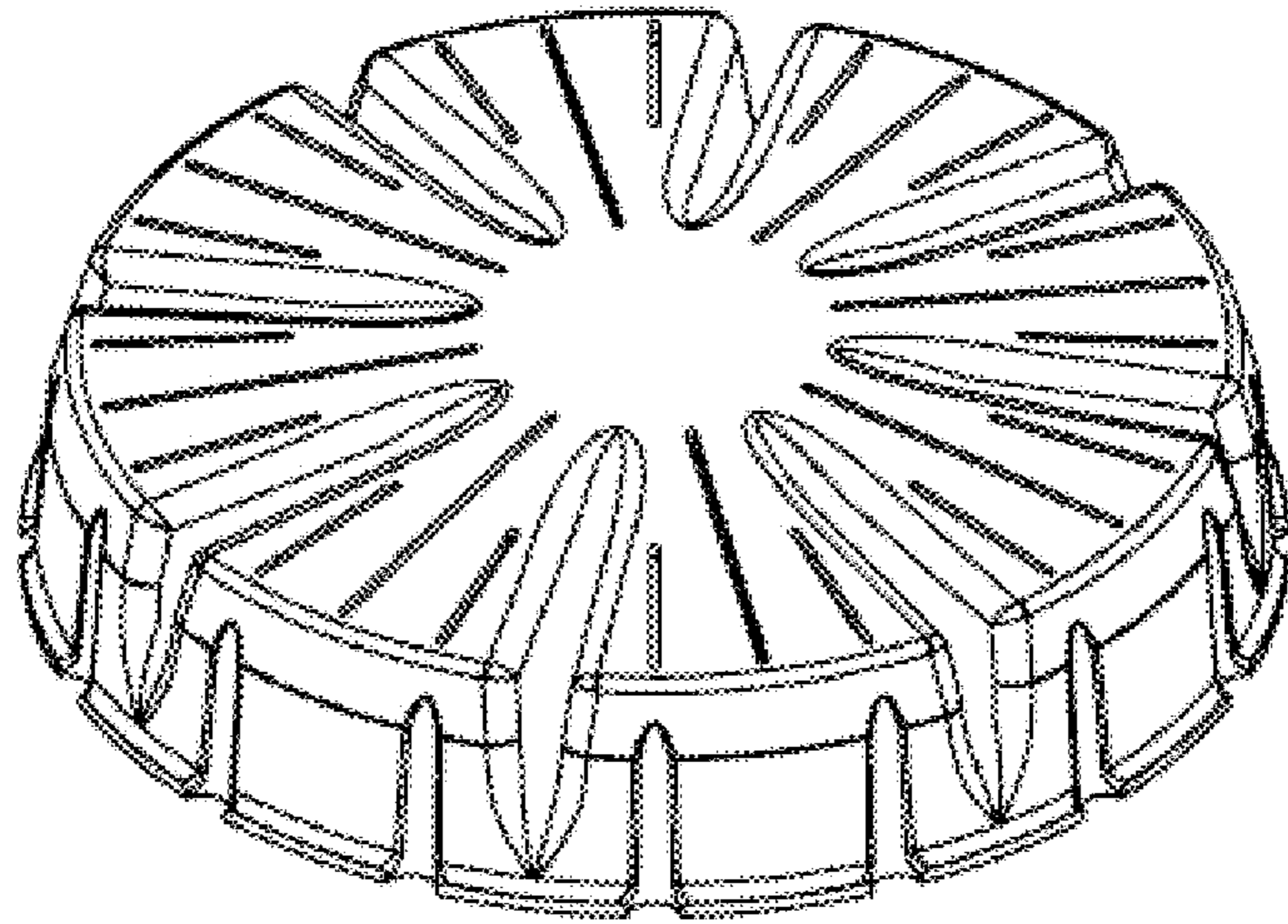


FIG. 2

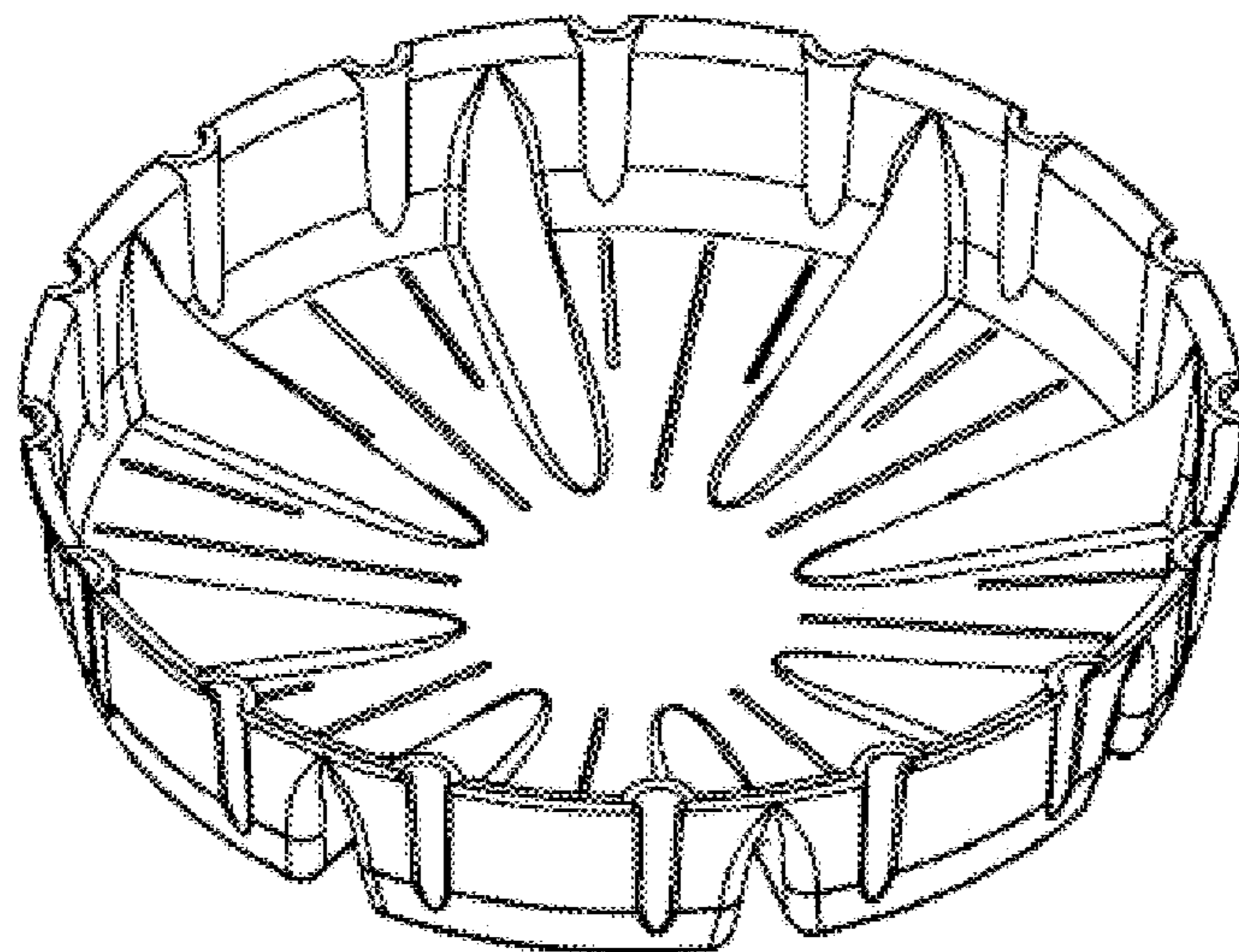


FIG. 1

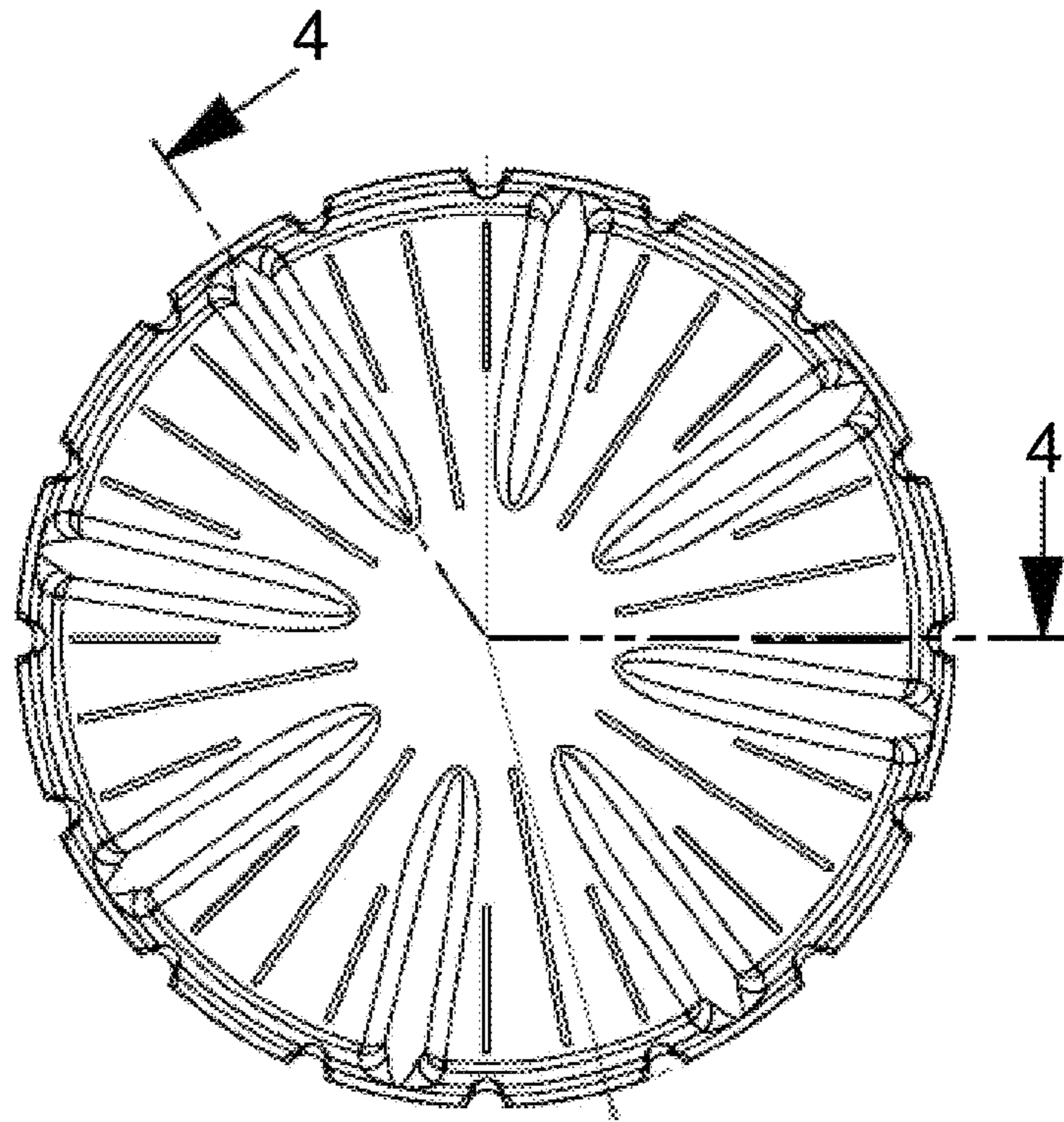


FIG. 3

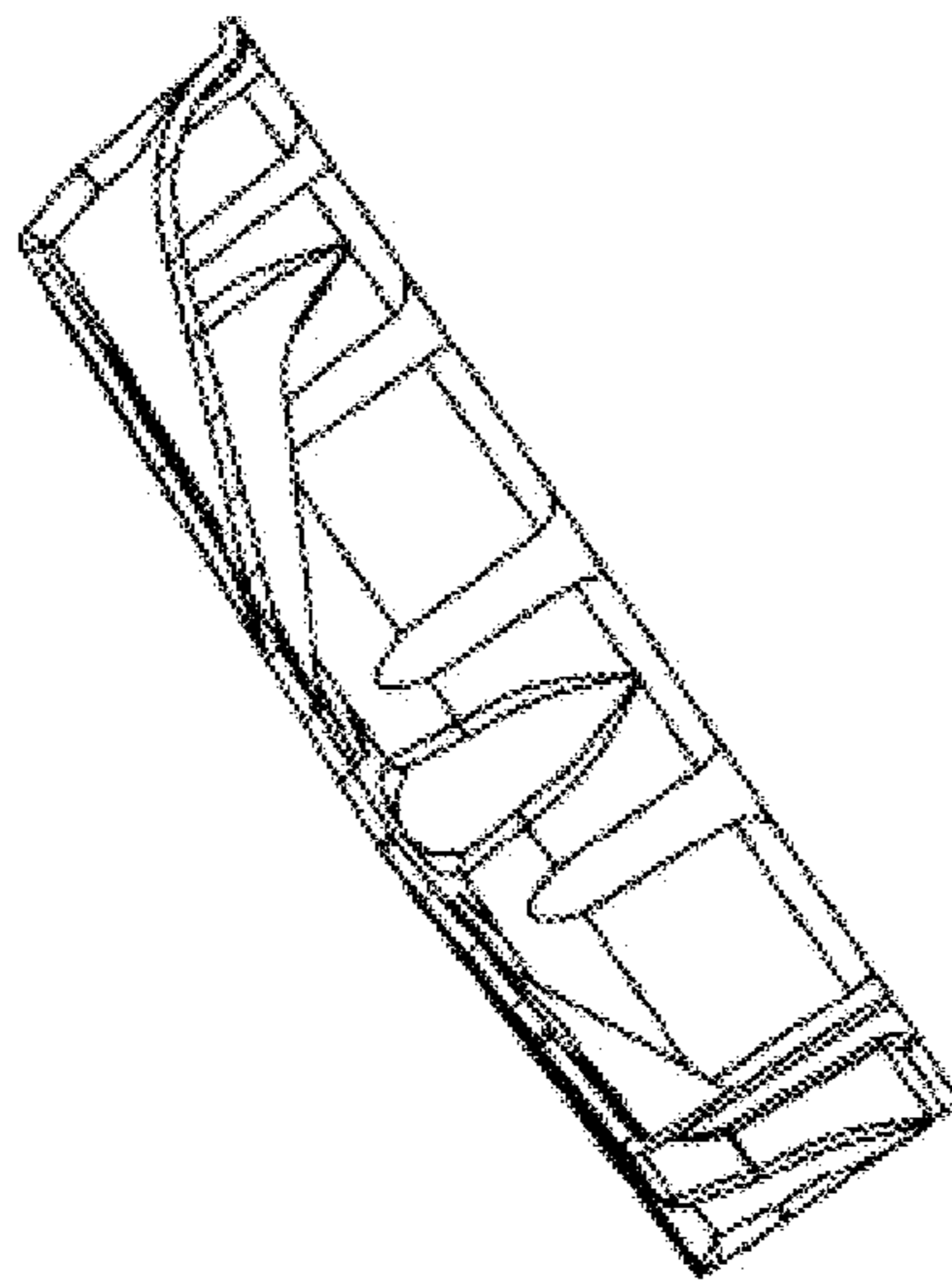


FIG. 4

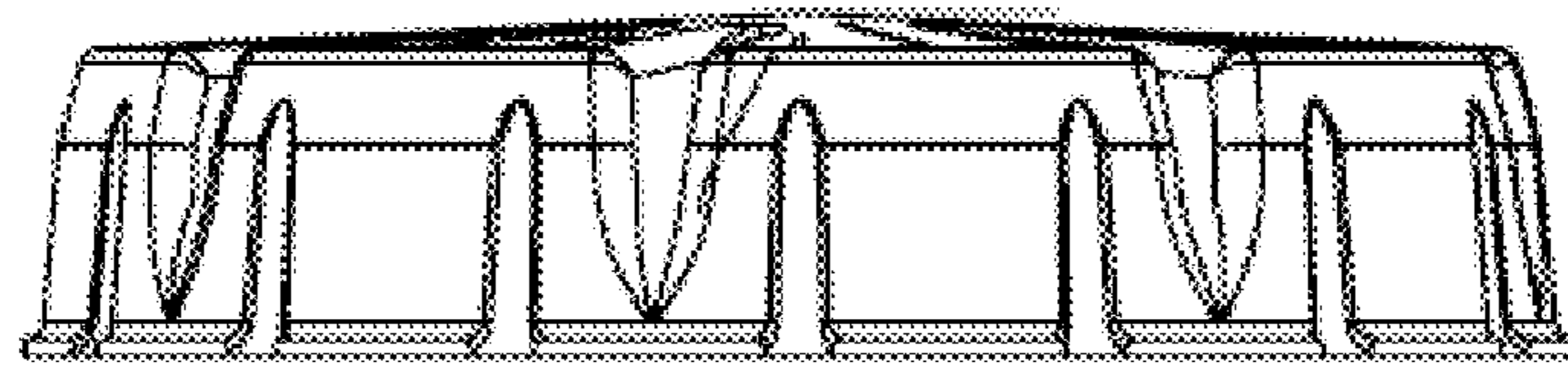


FIG. 5