

US00D736573S

(12) **United States Design Patent**
Donovan

(10) **Patent No.:** **US D736,573 S**
(45) **Date of Patent:** **** Aug. 18, 2015**

(54) **KNIFE WITH POST**
(71) Applicant: **Kyle Donovan**, New York, NY (US)
(72) Inventor: **Kyle Donovan**, New York, NY (US)
(**) Term: **14 Years**
(21) Appl. No.: **29/452,018**
(22) Filed: **Apr. 11, 2013**
(51) **LOC (10) Cl.** **07-03**
(52) **U.S. Cl.**
USPC **D7/649; D7/401.2; D7/642**
(58) **Field of Classification Search**
USPC D7/368, 401.2, 642-645, 649-664, 669,
D7/675-677, 683, 688-689, 691; D8/107,
D8/300-301; D22/117-118; 16/110.1,
16/407, 430; 30/1, 123, 137, 142-150,
30/295, 298.4, 322-329, 340, 342-345;
294/25-26, 49, 55.5, 57
CPC A01B 1/20; A01B 1/22; A01D 9/02;
A01D 9/04; A01D 9/06; A47G 21/00; A47G
21/004; A47G 21/005; A47G 21/02; A47G
21/023; A47G 21/04; A47G 21/06; A47G
21/08; A47G 21/145; A47J 43/28; A47J
43/281; A47J 43/282; A61F 13/10; A61J
7/0023; B25G 1/00; B25G 1/01; B25G 1/02;
B25G 3/00; B26B 3/00; B26B 3/02; B26B
11/00; B26B 11/006; B26B 29/02; B65D
75/56; B65D 75/563; B65D 75/566; B67B
7/00; B67B 7/24; B67B 7/724; B67B 7/73;
F41B 13/00

See application file for complete search history.

(56) **References Cited**

U.S. PATENT DOCUMENTS

116,412 A * 6/1871 Chapman 30/298.4
135,590 A * 2/1873 Robinson 30/1
275,112 A 4/1883 Aldom

356,453 A * 1/1887 Cox 30/295
983,736 A * 2/1911 Maconochie 30/1
1,528,679 A 3/1925 Maoleod
D145,144 S 7/1946 Price
2,752,687 A 7/1956 Welch
D215,996 S * 11/1969 Weeber D7/649
3,772,781 A * 11/1973 Newman 30/123
D291,046 S 7/1987 Johnson
D292,663 S 11/1987 Johnson
D312,749 S 12/1990 Kessler
D345,284 S * 3/1994 Burdick et al. D7/649
D345,486 S * 3/1994 Burdick et al. D7/401.2
D346,722 S 5/1994 Burdick et al.
D351,091 S 10/1994 Burdick
D351,310 S * 10/1994 Burdick et al. D7/401.2

(Continued)

FOREIGN PATENT DOCUMENTS

EM 002338509-0001 5/2013
EM 002338509-0002 5/2013

(Continued)

OTHER PUBLICATIONS

Joseph Joseph, Elevate Tongs, Web page, accessed: Oct. 11, 2011.

(Continued)

Primary Examiner — Ricky Pham

(74) *Attorney, Agent, or Firm* — Franklin & Associates International Inc; Matthew F. Lambrinos

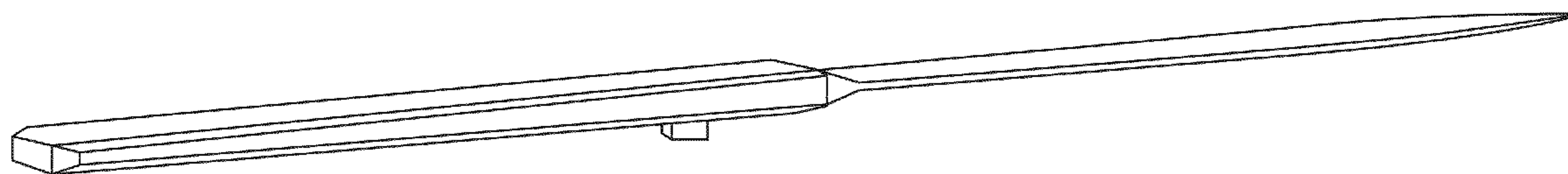
(57) **CLAIM**

The ornamental design for a knife with post, as shown and described.

DESCRIPTION

FIG. 1 shows a side view of the knife with post; and, FIG. 2 shows a bottom view of the knife with post.

1 Claim, 2 Drawing Sheets



(56)

References Cited

U.S. PATENT DOCUMENTS

D355,565	S	*	2/1995	Burdick et al.	D7/401.2
D358,741	S		5/1995	Burdick		
5,590,472	A		1/1997	Yaakov		
D387,959	S	*	12/1997	Cousins	D7/696
D460,901	S		7/2002	Geborek		
7,055,200	B2		6/2006	Lion et al.		
D526,862	S		8/2006	Lion et al.		
D546,634	S		7/2007	Hauser		
D674,669	S		1/2013	Gerli		
D681,401	S		5/2013	Donovan		
2007/0006470	A1	*	1/2007	Sumner-Trivisani		
				et al.	30/298.4
2007/0084063	A1	*	4/2007	Hughes	30/298.4
2007/0214650	A1		9/2007	Tomazini		
2013/0133206	A1		5/2013	Donovan		
2013/0133207	A1		5/2013	Donovan		

FOREIGN PATENT DOCUMENTS

EM	002338509-0003		5/2013
EM	002338509-0004		5/2013
EM	002338509-0005		5/2013
EM	002338509-0006		5/2013
EM	002338509-0007		5/2013
JP	54025184	U	2/1979
JP	57002877	U	1/1982
KR	20100076837	A	7/2010
SU	397198	A	11/1974
WO	9006709	A	6/1990
WO	2013078454	A	5/2013

OTHER PUBLICATIONS

Joseph Joseph, Elevate Tongs, Web page <http://www.josephjoseph.com/product/view/19>, downloaded Jul. 23, 2013.
 PCT International Search Report and the Written Opinion of the International Searching Authority, dated Feb. 28, 2013, in International Patent Application No. PCT/US2012/066453, 7 pages.

Kyle Donovan, Design U.S. Appl. No. 29/452,005, filed Apr. 10, 2013.
 Kyle Donovan, Design U.S. Appl. No. 29/452,017, filed Apr. 11, 2013.
 Kyle Donovan, Design U.S. Appl. No. 29/452,061, filed Apr. 11, 2013.
 Kyle Donovan, Design U.S. Appl. No. 29/461,517, filed Jul. 24, 2013.
 Kyle Donovan, Design U.S. Appl. No. 29/461,526, filed Jul. 24, 2013.
 Kyle Donovan, Design U.S. Appl. No. 29/461,536, filed Jul. 24, 2013.
 Kyle Donovan, Design U.S. Appl. No. 29/467,184, filed Sep. 16, 2013.
 Kyle Donovan, Design U.S. Appl. No. 29/467,186, filed Sep. 16, 2013.
 Kyle Donovan, Design U.S. Appl. No. 29/467,187, filed Sep. 16, 2013.
 Kyle Donovan, Design U.S. Appl. No. 29/467,189, filed Sep. 16, 2013.
 Kyle Donovan, Design U.S. Appl. No. 29/467,286, filed Sep. 17, 2013.
 Kyle Donovan, Design U.S. Appl. No. 29/471,844, filed Nov. 5, 2013.
 Kyle Donovan, U.S. Appl. No. 14/248,164, filed Apr. 8, 2014.
 Kyle Donovan, Chinese Design Patent Application No. 2014300148052, filed Jan. 20, 2014.
 Kyle Donovan, Chinese Design Patent Application No. 2014300148137, filed Jan. 20, 2014.
 Kyle Donovan, Chinese Design Patent Application No. 2014300148156, filed Jan. 20, 2014.
 Kyle Donovan, Chinese Design Patent Application No. 201430014832X, filed Jan. 20, 2014.
 Non-Final Office Action, dated May 21, 2013, in U.S. Appl. No. 13/304,341.
 Notice of Allowance, dated Apr. 22, 2014, in Design U.S. Appl. No. 29/461,545, 6 pages.

* cited by examiner

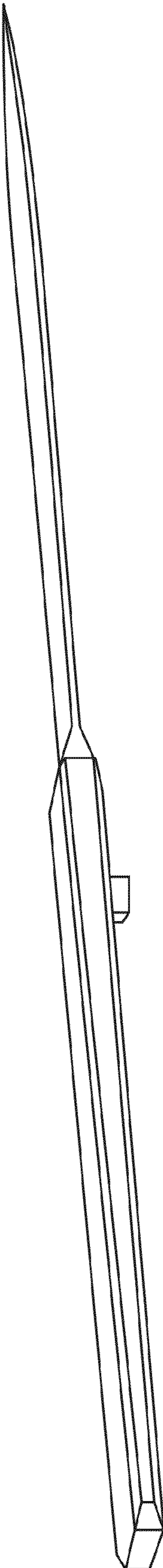


Figure 1

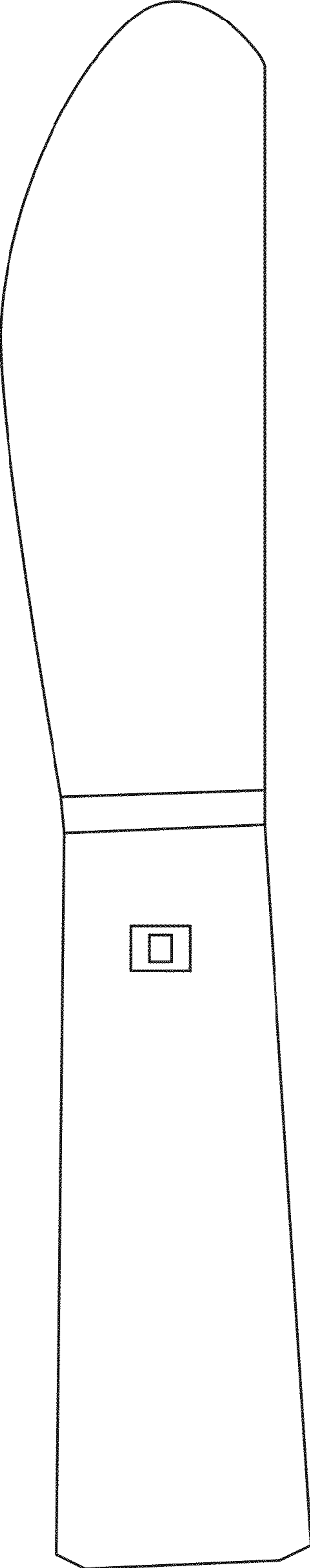


Figure 2