



US00D736572S

(12) **United States Design Patent**
Trumbo et al.

(10) **Patent No.:** **US D736,572 S**
(45) **Date of Patent:** **** Aug. 18, 2015**

- (54) **SOFT FOOD FEEDER**
- (71) Applicant: **Munchkin, Inc.**, Van Nuys, CA (US)
- (72) Inventors: **Nicholas Trumbo**, La Canada, CA (US);
Sung Yun Chan, Pasadena, CA (US)
- (73) Assignee: **Munchkin, Inc.**, Van Nuys, CA (US)
- (**) Term: **14 Years**
- (21) Appl. No.: **29/472,049**
- (22) Filed: **Nov. 7, 2013**
- (51) **LOC (10) Cl.** **07-03**
- (52) **U.S. Cl.**
USPC **D7/642; D7/401.2**
- (58) **Field of Classification Search**
USPC D7/368, 401.2, 642-645, 653-664, 669,
D7/675-677, 683, 688-689, 691; D8/107,
D8/300-301; D22/117-118; D24/194
CPC A01D 9/02; A01D 9/04; A01D 9/06;
A47G 21/00; A47G 21/004; A47G 21/005;
A47G 21/02; A47G 21/023; A47G 21/04;
A47G 21/06; A47G 21/08; A47J 43/28;
A47J 43/281; A47J 43/282; A61F 13/10;
A61J 7/0023; A61J 17/00; A61J 9/00; A61J
9/005; A61J 17/0046; A61J 17/0053; A61J
17/006; A61J 17/0007; B25G 1/00; B25G
1/01; B25G 1/02; B25G 3/00; B65D 75/56;
B65D 75/563; B65D 75/566; B67B 7/00;
B67B 7/724; B67B 7/73
See application file for complete search history.

(56) **References Cited**
U.S. PATENT DOCUMENTS

D87,240 S *	6/1932	Podell	D24/194
3,610,248 A *	10/1971	Davidson	606/236
3,886,949 A *	6/1975	Hurst et al.	606/236
D267,116 S *	11/1982	Bubelis	D24/194
5,078,734 A *	1/1992	Noble	604/77
5,123,915 A *	6/1992	Miller et al.	606/234
5,395,392 A *	3/1995	Suhonen	606/234

5,578,004 A *	11/1996	Liang	604/77
5,611,622 A *	3/1997	Wang	374/151
5,711,759 A *	1/1998	Smith et al.	601/139
6,110,193 A *	8/2000	Chen	606/234
D450,126 S *	11/2001	Fitzpatrick et al.	D24/194
6,524,272 B1 *	2/2003	Berry, Sr.	604/77
D492,417 S *	6/2004	Davis	D24/194
7,500,984 B2 *	3/2009	Fuisz et al.	606/236
D593,203 S *	5/2009	Kliegman et al.	D24/194
D596,302 S *	7/2009	Kliegman et al.	D24/194
7,901,375 B2 *	3/2011	Dunn et al.	604/77
D671,224 S *	11/2012	Paul	D24/194
8,545,439 B2 *	10/2013	Lo	604/77
8,597,235 B2	12/2013	Lo	
D700,344 S *	2/2014	Jackson-Berry	D24/194
2004/0044367 A1 *	3/2004	Yancy	606/234
2007/0021782 A1 *	1/2007	Inoue et al.	606/234
2007/0203450 A1 *	8/2007	Berry	604/77

* cited by examiner

Primary Examiner — Ricky Pham
(74) *Attorney, Agent, or Firm* — Robert Z. Evora

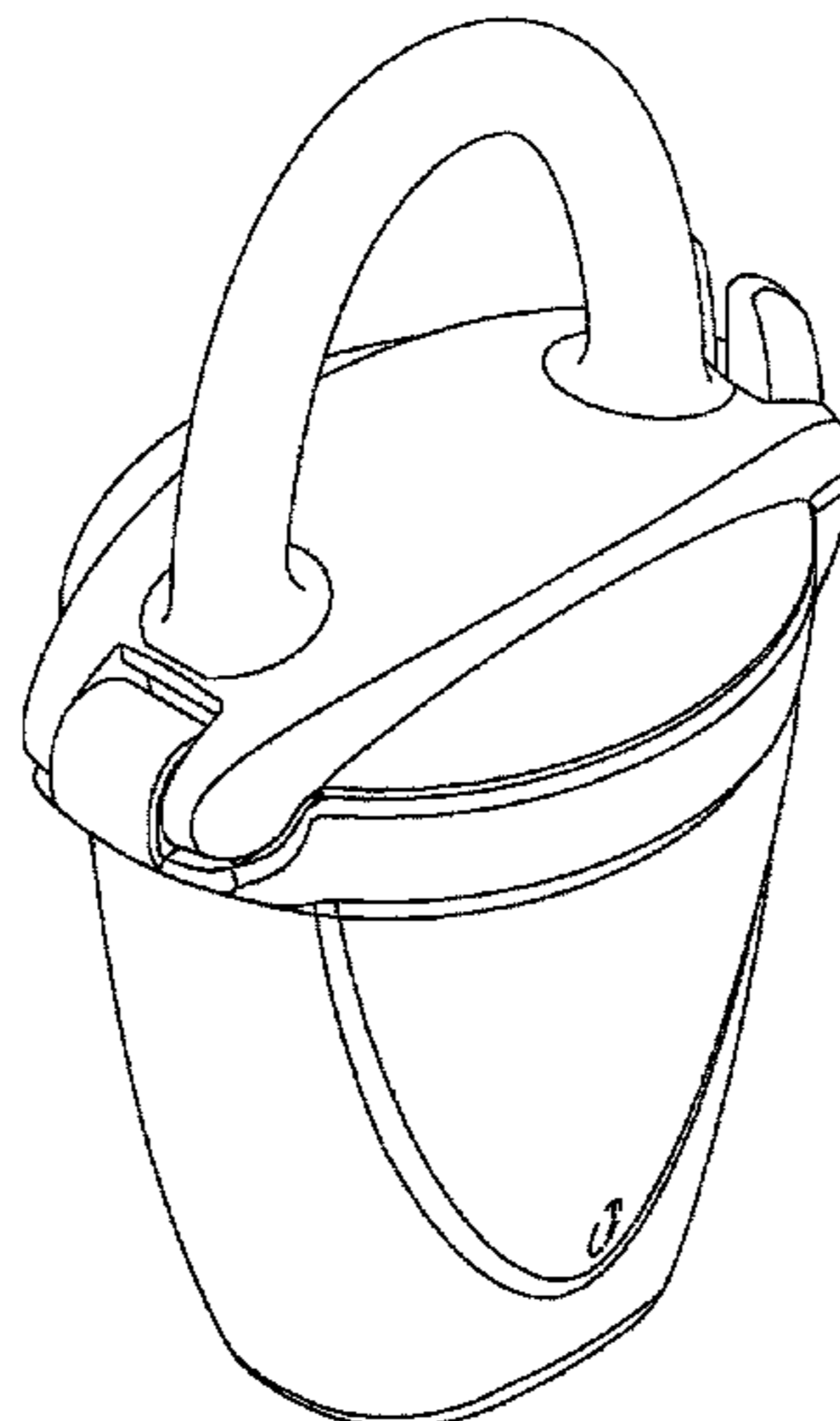
(57) **CLAIM**

The ornamental design for a soft food feeder, as shown and described.

DESCRIPTION

FIG. 1 is an upper left perspective view of a soft food feeder showing a first embodiment of our new design;
 FIG. 2 is an upper right perspective view thereof;
 FIG. 3 is a bottom left perspective view thereof;
 FIG. 4 is a bottom right perspective view thereof;
 FIG. 5 is a front view thereof;
 FIG. 6 is a back view thereof;
 FIG. 7 is a left side view thereof;
 FIG. 8 is a right side view thereof;
 FIG. 9 is a top view thereof; and,
 FIG. 10 is a bottom view thereof.
 The broken lines shown in the drawings represent environmental structure in FIGS. 1-6 and 10 that form no part of the claimed design.

1 Claim, 5 Drawing Sheets



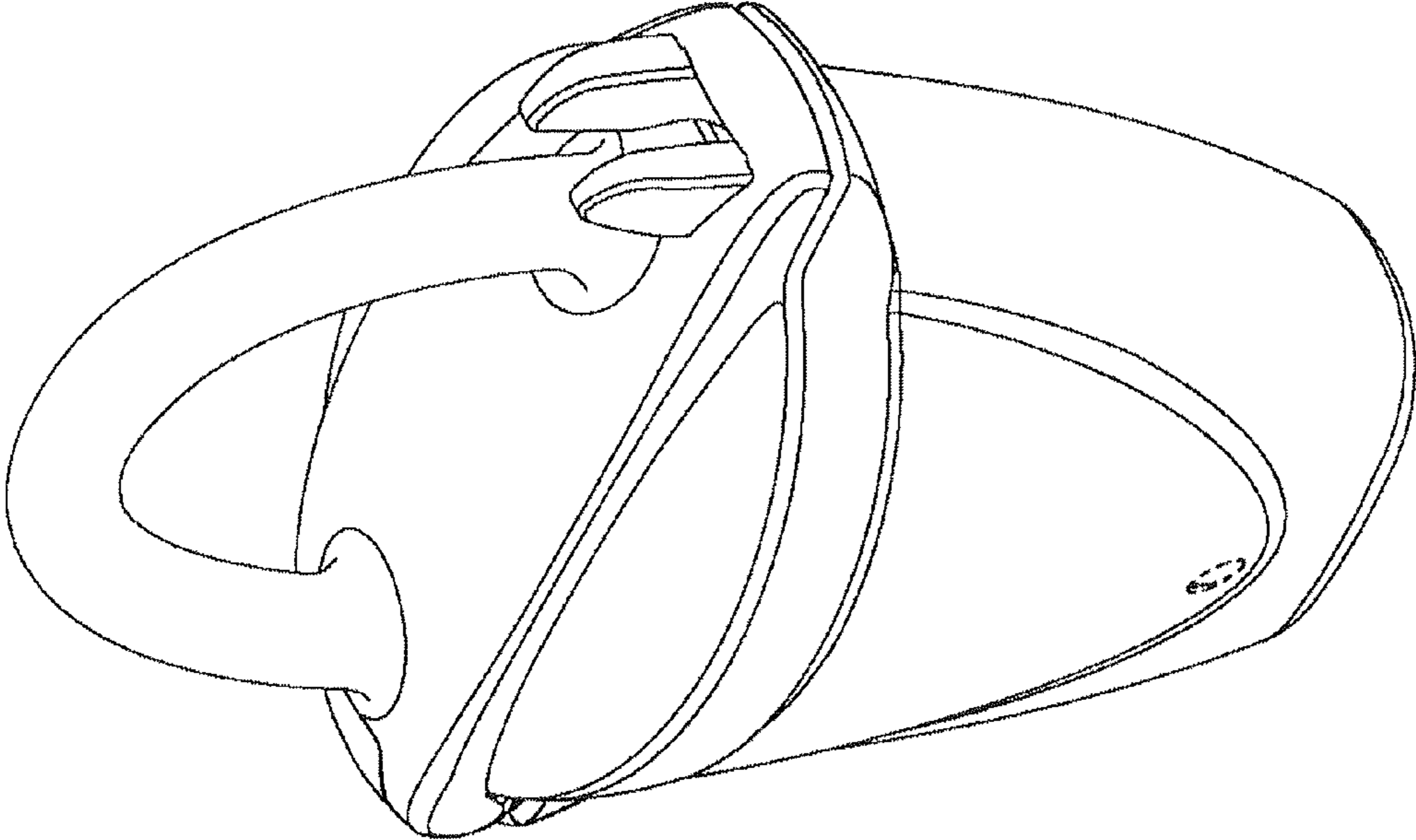


FIG. 1

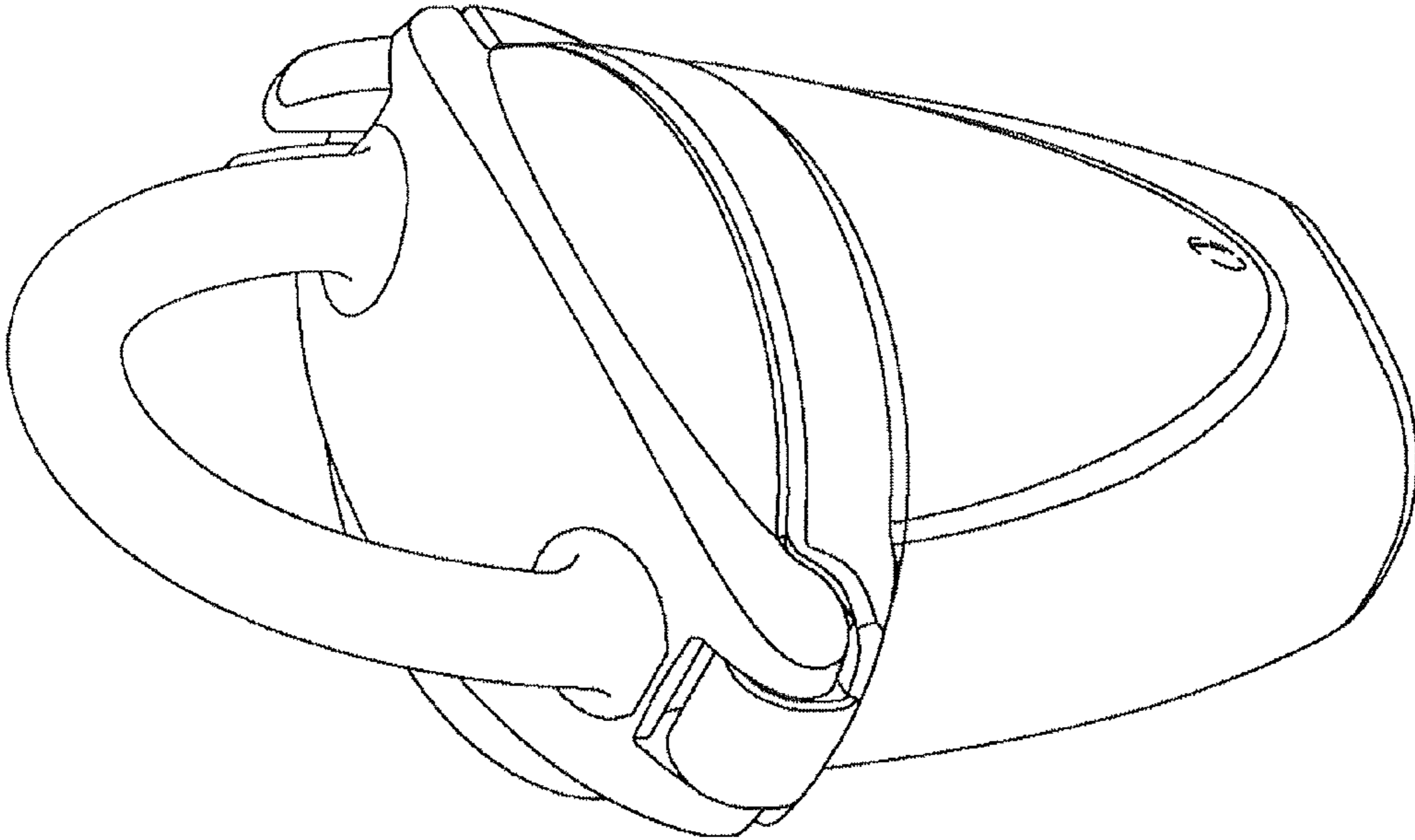


FIG. 2

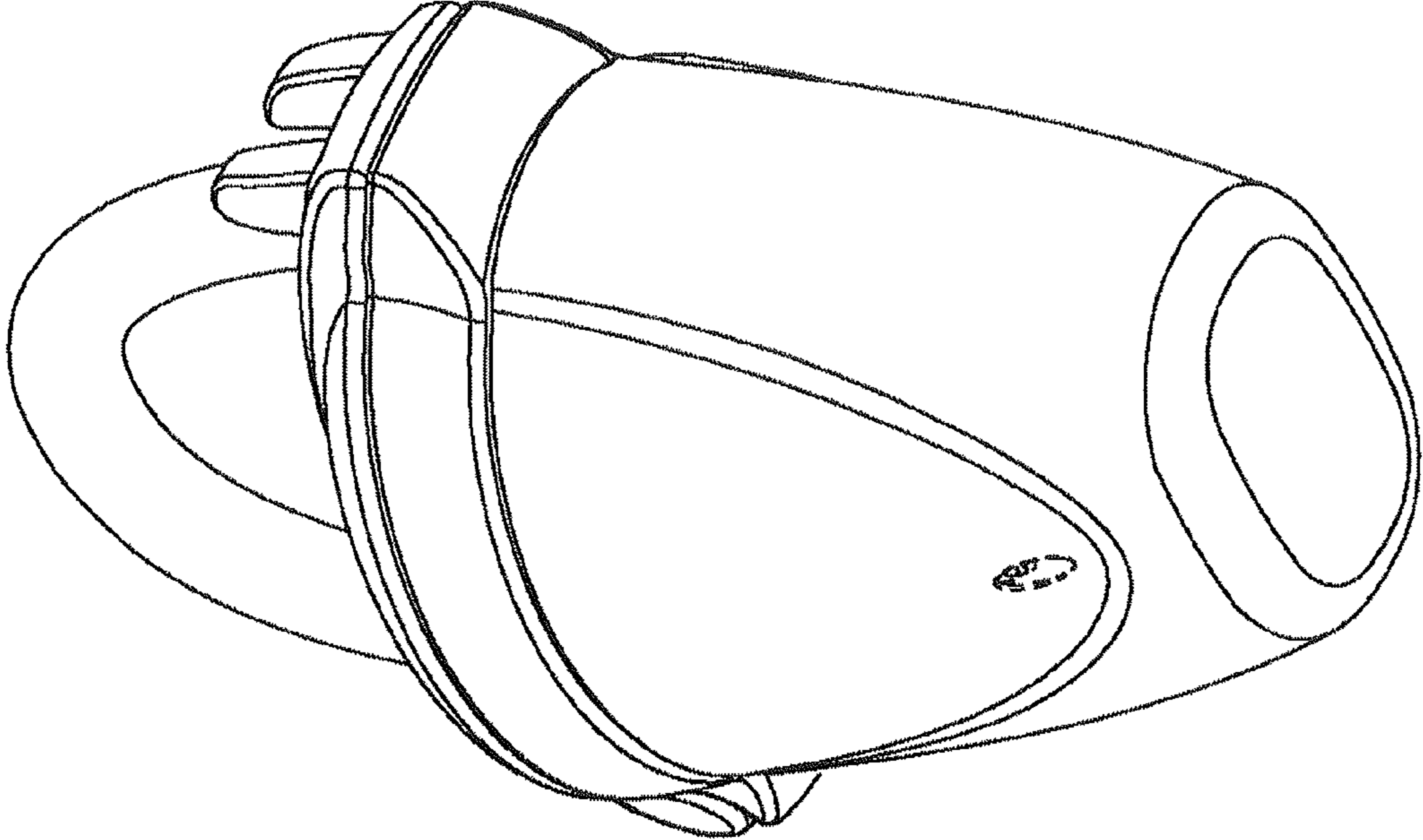


FIG. 4

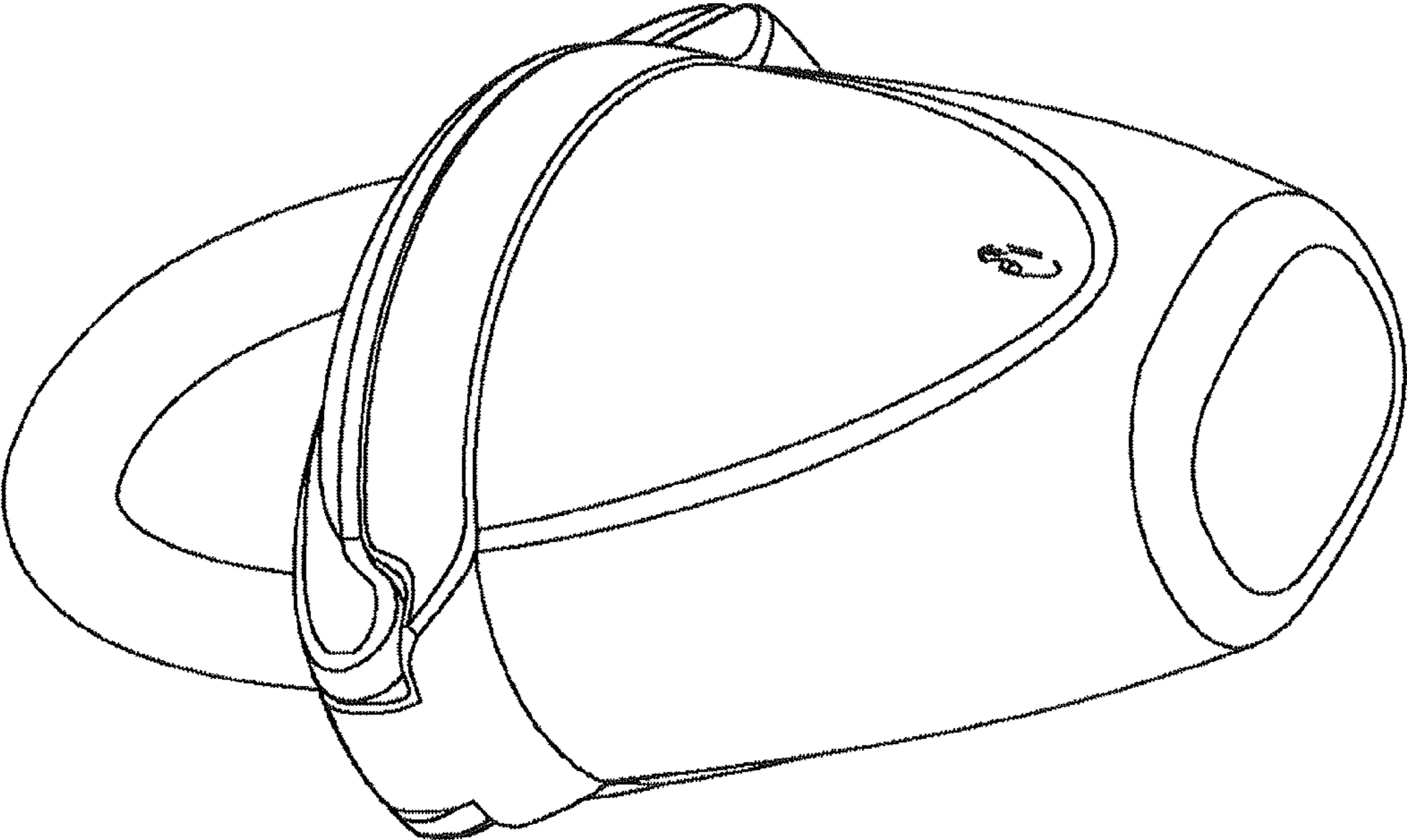


FIG. 3

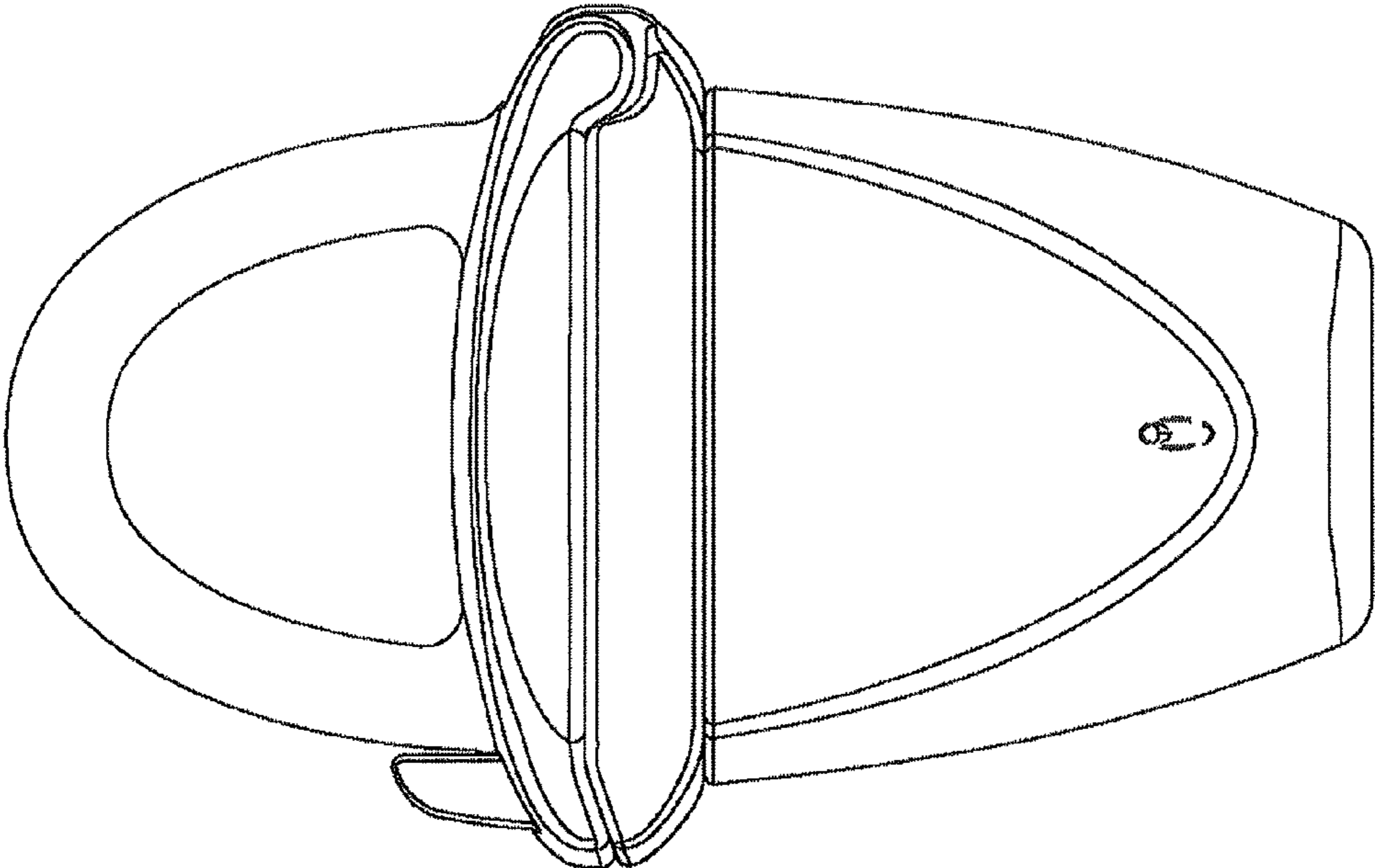


FIG. 6

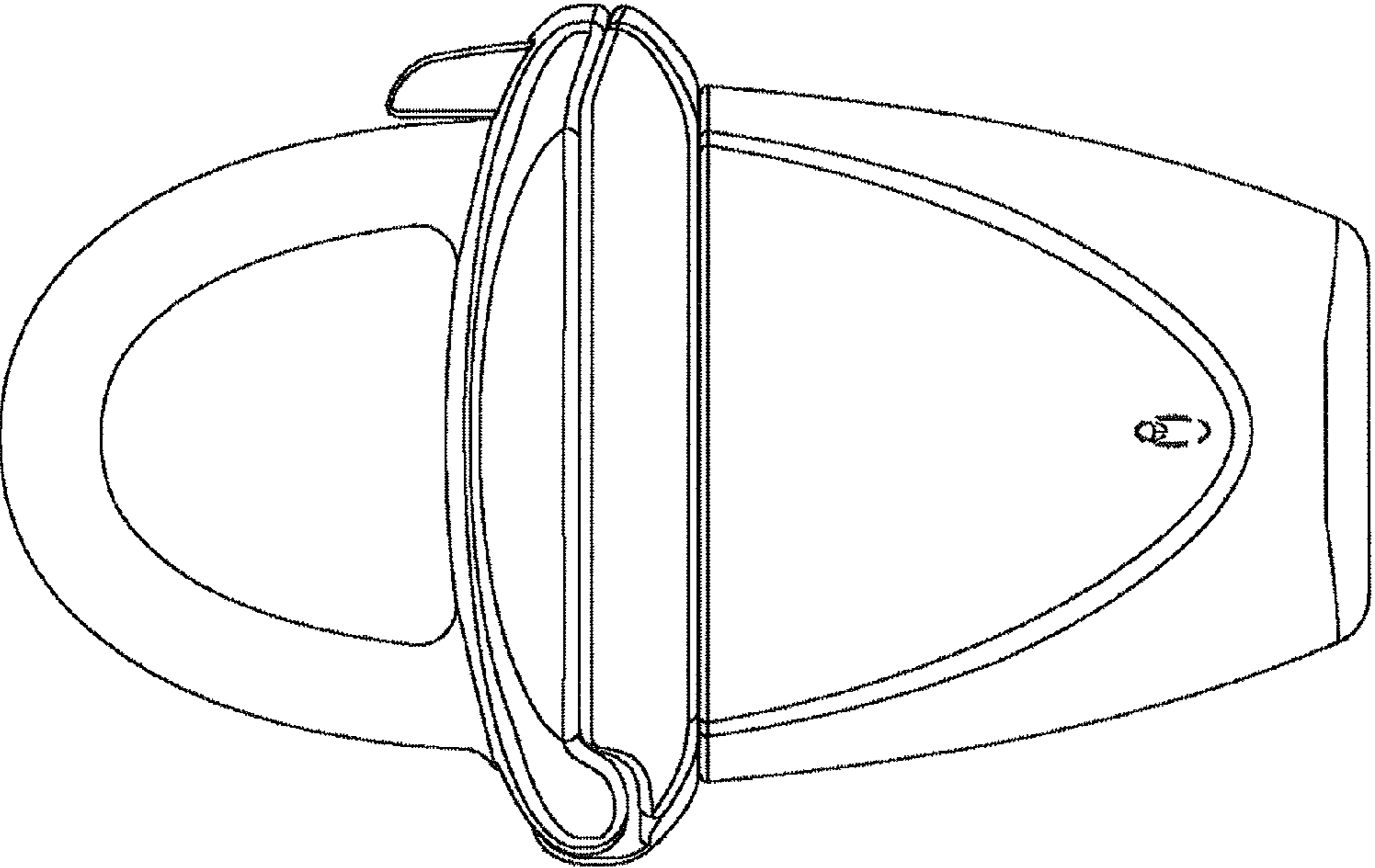


FIG. 5

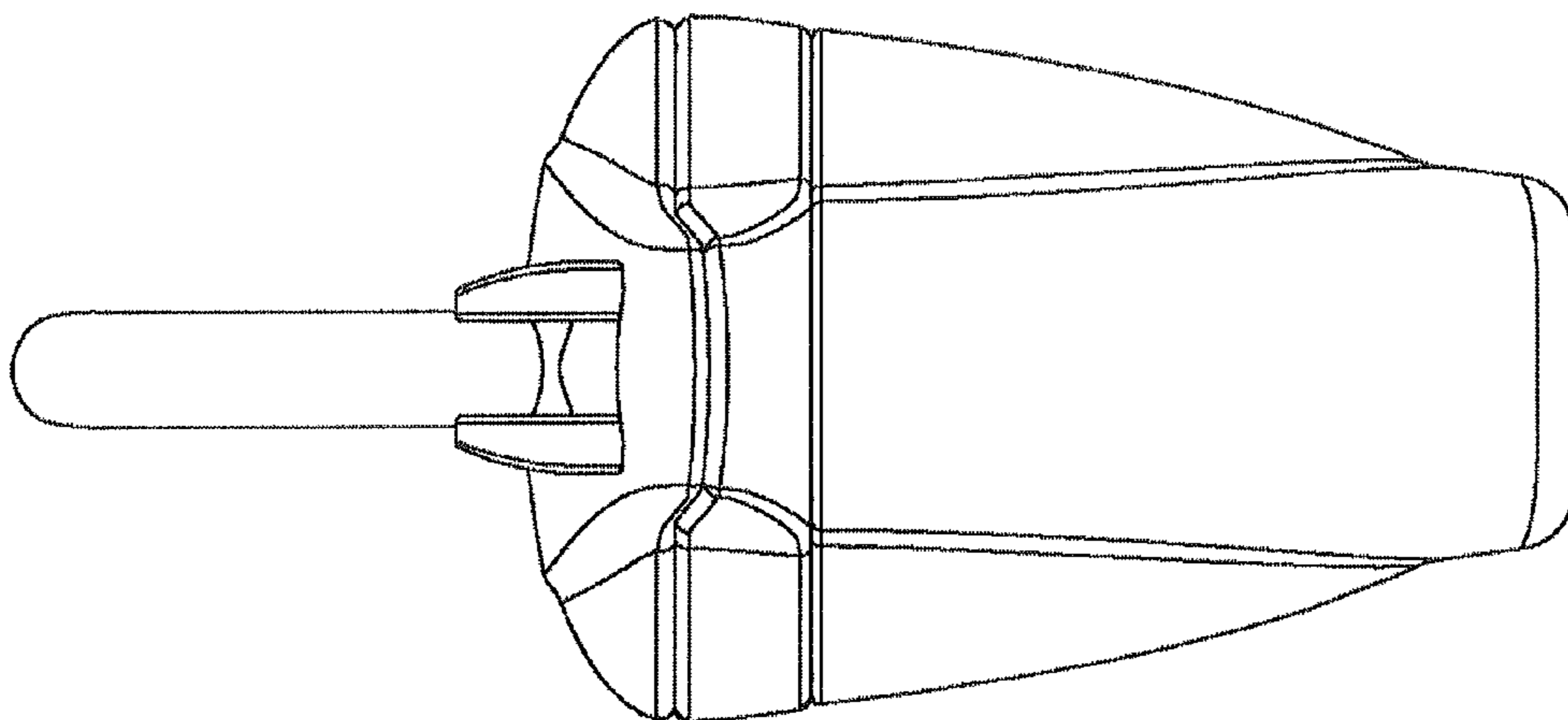


FIG. 8

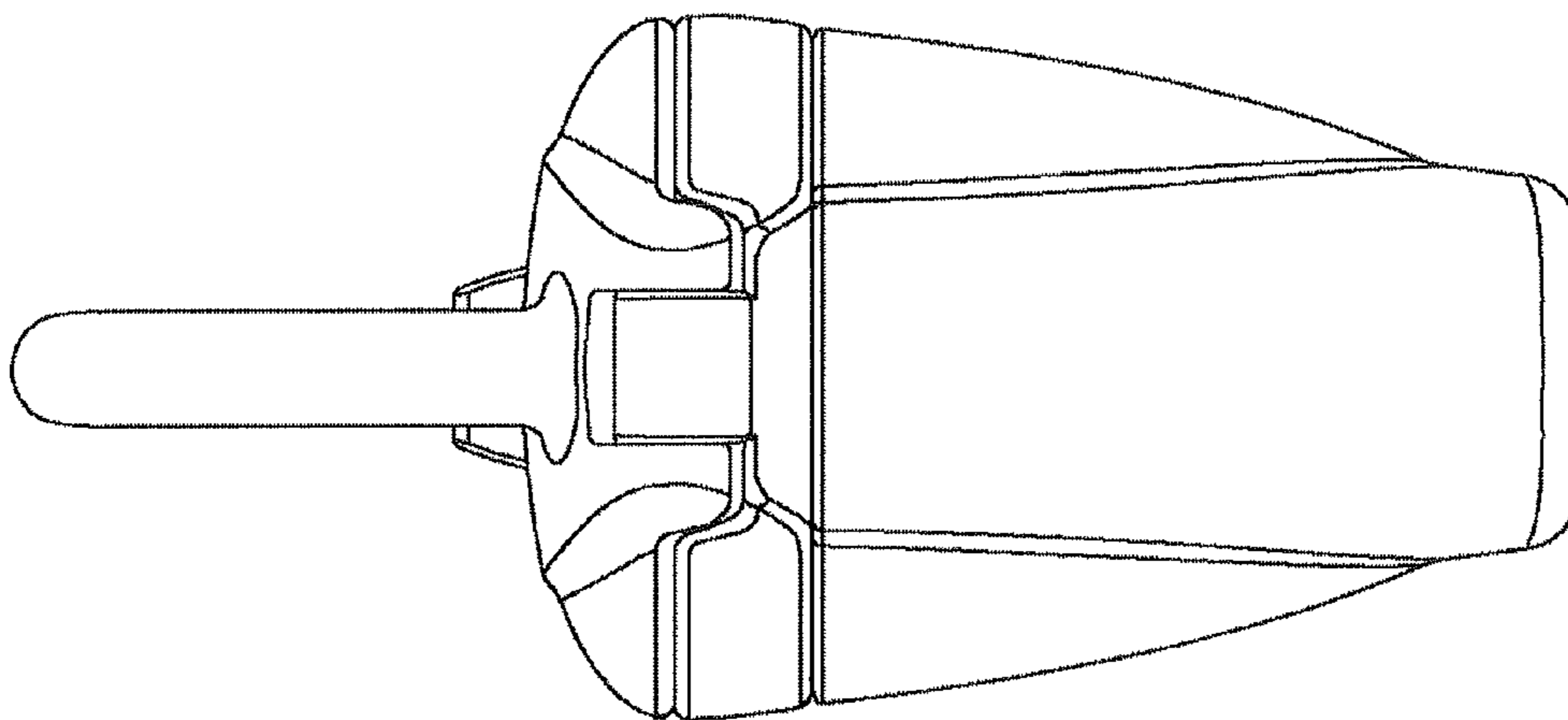


FIG. 7

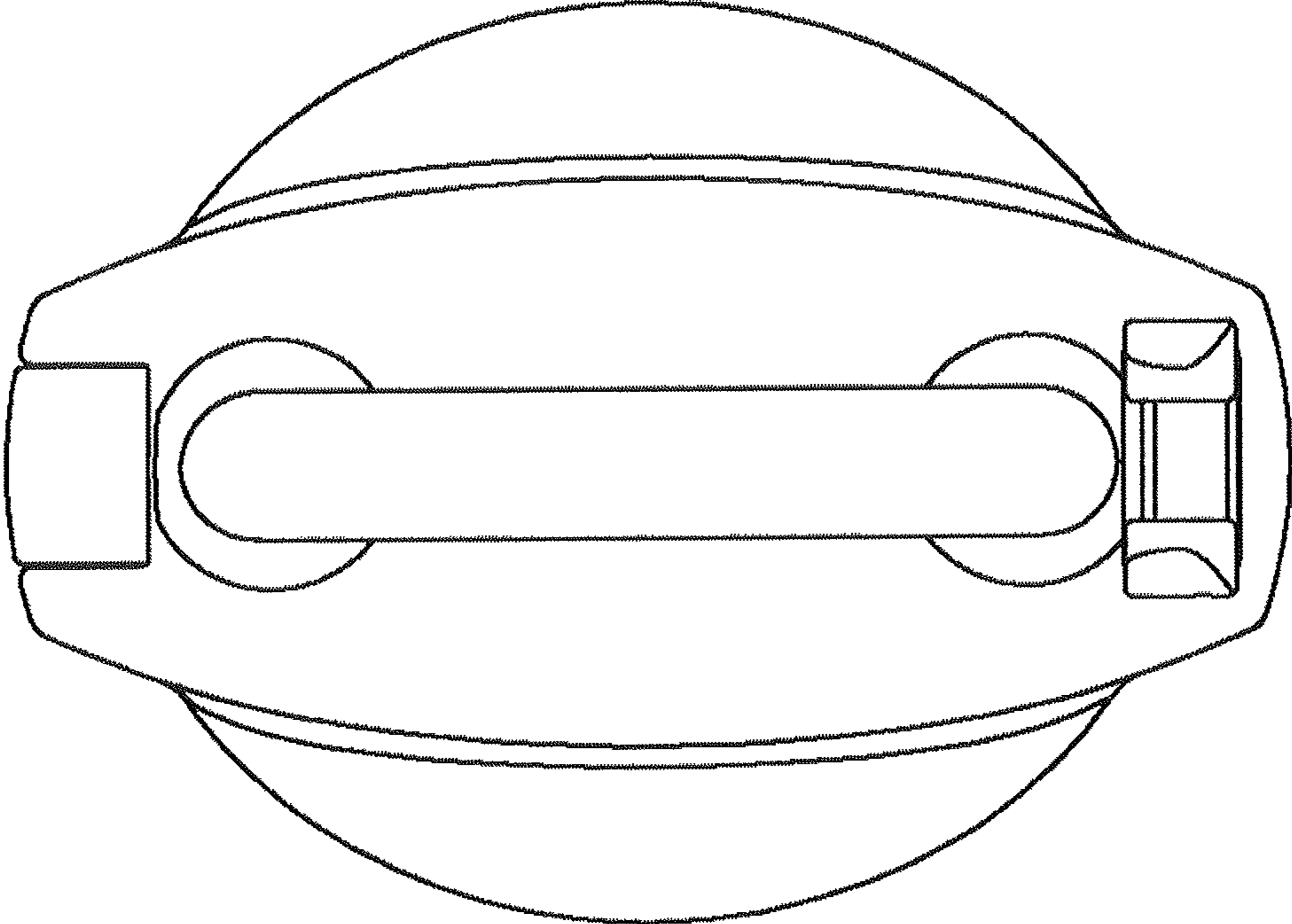


FIG. 9

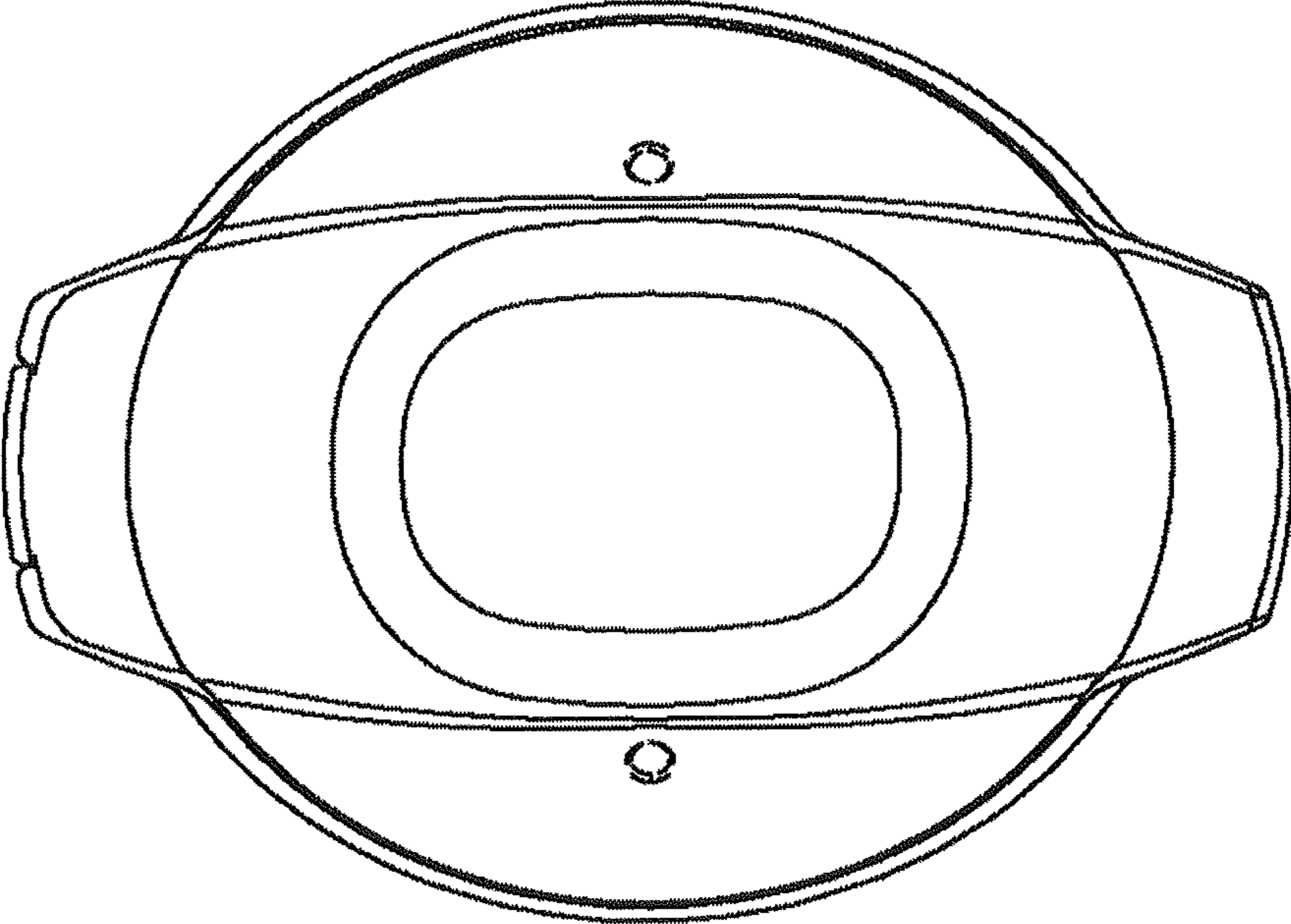


FIG. 10