



US00D736570S

(12) **United States Design Patent**  
**Sykes et al.**

(10) **Patent No.:** **US D736,570 S**

(45) **Date of Patent:** **\*\* Aug. 18, 2015**

(54) **CANISTER WITH MEASURING CUP AND LID**

(71) Applicants: **Brian J. Sykes**, Mission Viejo, CA (US);  
**Leonard R. Stamper**, Anaheim, CA (US)

(72) Inventors: **Brian J. Sykes**, Mission Viejo, CA (US);  
**Leonard R. Stamper**, Anaheim, CA (US)

(73) Assignee: **SHYE WORLDWIDE LLC**, Lake Forest, CA (US)

(\*\*) Term: **14 Years**

(21) Appl. No.: **29/474,138**

(22) Filed: **Jun. 13, 2014**

**Related U.S. Application Data**

(63) Continuation-in-part of application No. 29/415,722, filed on Mar. 13, 2012, now abandoned.

(51) **LOC (10) Cl.** ..... **07-07**

(52) **U.S. Cl.**  
USPC ..... **D7/629; D10/46.2**

(58) **Field of Classification Search**  
USPC ..... D7/629, 602, 612-615, 630, 538-542, D7/300, 321, 391-392.1; D10/46.2, 46.3; 222/452, 158, 441, 454; 220/780-806, 220/812, 700, 701, 703, 711, 713-715, 220/719; D9/424-432, 434, 436, 451-454, D9/456  
CPC ..... B65D 43/169; B65D 1/00; B65D 2543/00296; G01F 11/26

See application file for complete search history.

(56) **References Cited**

U.S. PATENT DOCUMENTS

D199,505	S	*	11/1964	Swett et al.	.....	D7/629
D284,728	S	*	7/1986	Trivison	.....	D7/629
D311,665	S	*	10/1990	Carlson	.....	D7/629
D369,755	S		5/1996	Robbins		
5,518,152	A	*	5/1996	Burcham et al.	.....	222/452
D401,868	S	*	12/1998	Robbins	.....	D10/46.2
D403,601	S	*	1/1999	Robbins, III	.....	D10/46.2
D405,703	S	*	2/1999	Robbins, III	.....	D10/46.2
D418,068	S	*	12/1999	Robbins, III	.....	D10/46.2
D469,011	S	*	1/2003	Miller	.....	D3/302
D511,655	S	*	11/2005	Kim	.....	D7/629
D528,374	S	*	9/2006	Heiberg et al.	.....	D7/629
D540,493	S	*	4/2007	Fick	.....	D30/133
D554,301	S	*	10/2007	Fick	.....	D30/133
D632,932	S	*	2/2011	Smyers	.....	D7/629
D651,528	S	*	1/2012	Robbins et al.	.....	D10/46.2

\* cited by examiner

*Primary Examiner* — Terry Wallace

(74) *Attorney, Agent, or Firm* — Charles L. Thomason

(57) **CLAIM**

The ornamental design for a canister with measuring cup and lid, as shown and described.

**DESCRIPTION**

FIG. 1 depicts the canister, the lid, and the measuring container.

FIG. 2 depicts the canister, the lid, and the measuring container in side view.

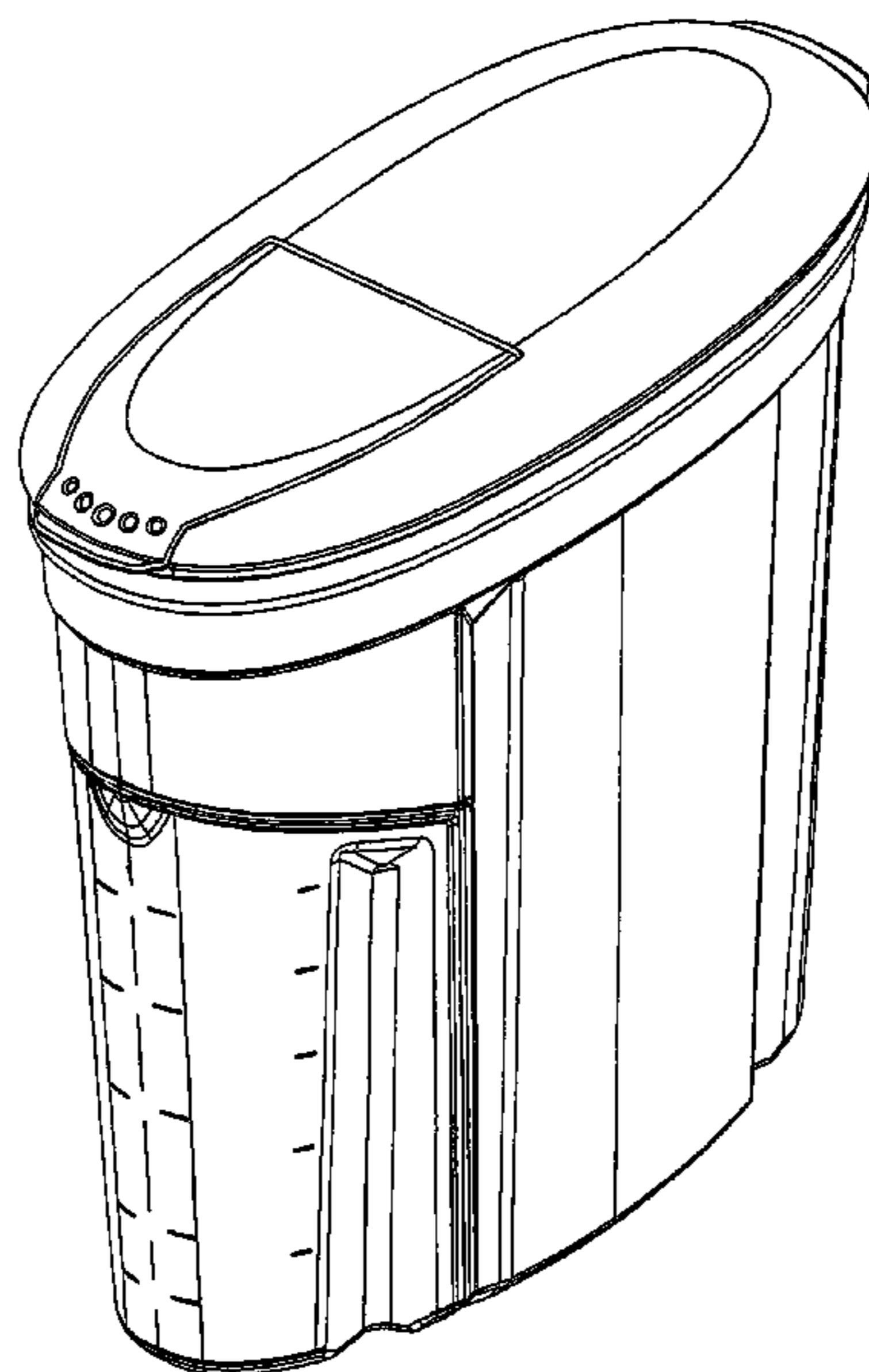
FIG. 3 depicts the canister, the lid, and the measuring container in side view.

FIG. 4 depicts the canister, the lid, and the measuring container in front view.

FIG. 5 depicts the canister, the lid, and the measuring container in rear view; and,

FIG. 6 depicts a top view of the lid of the canister.

**1 Claim, 6 Drawing Sheets**



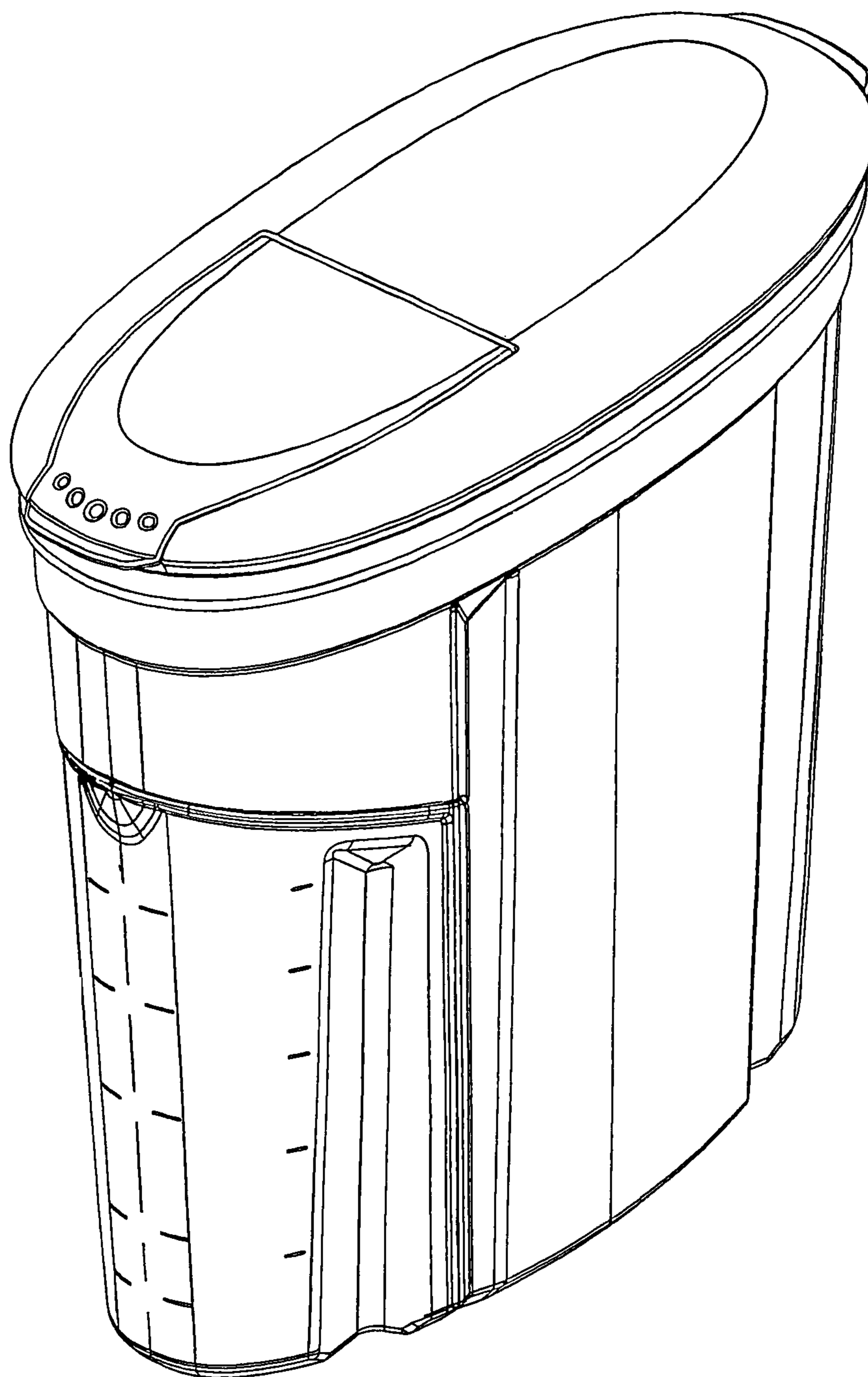


FIG. 1

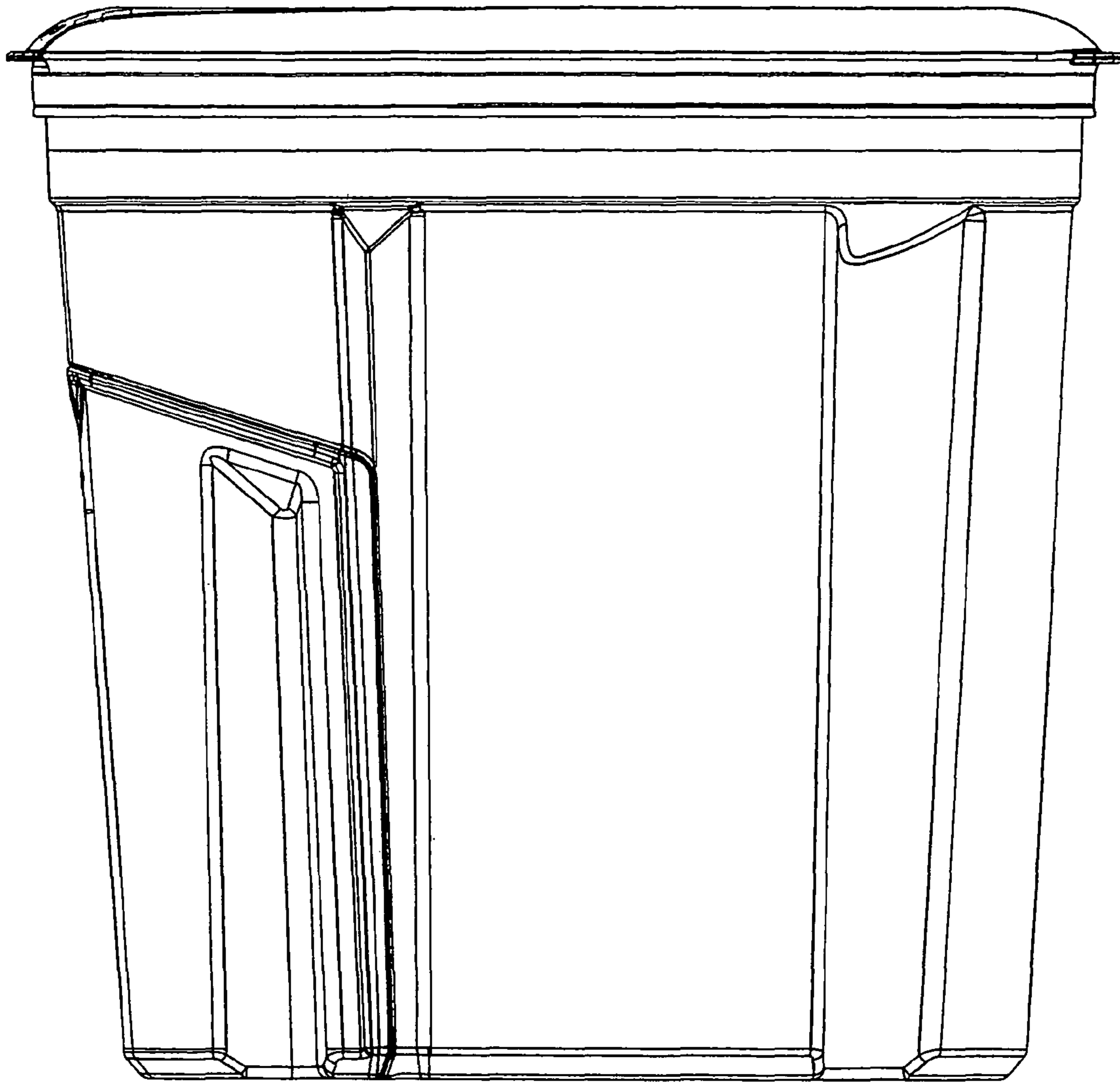


FIG. 2

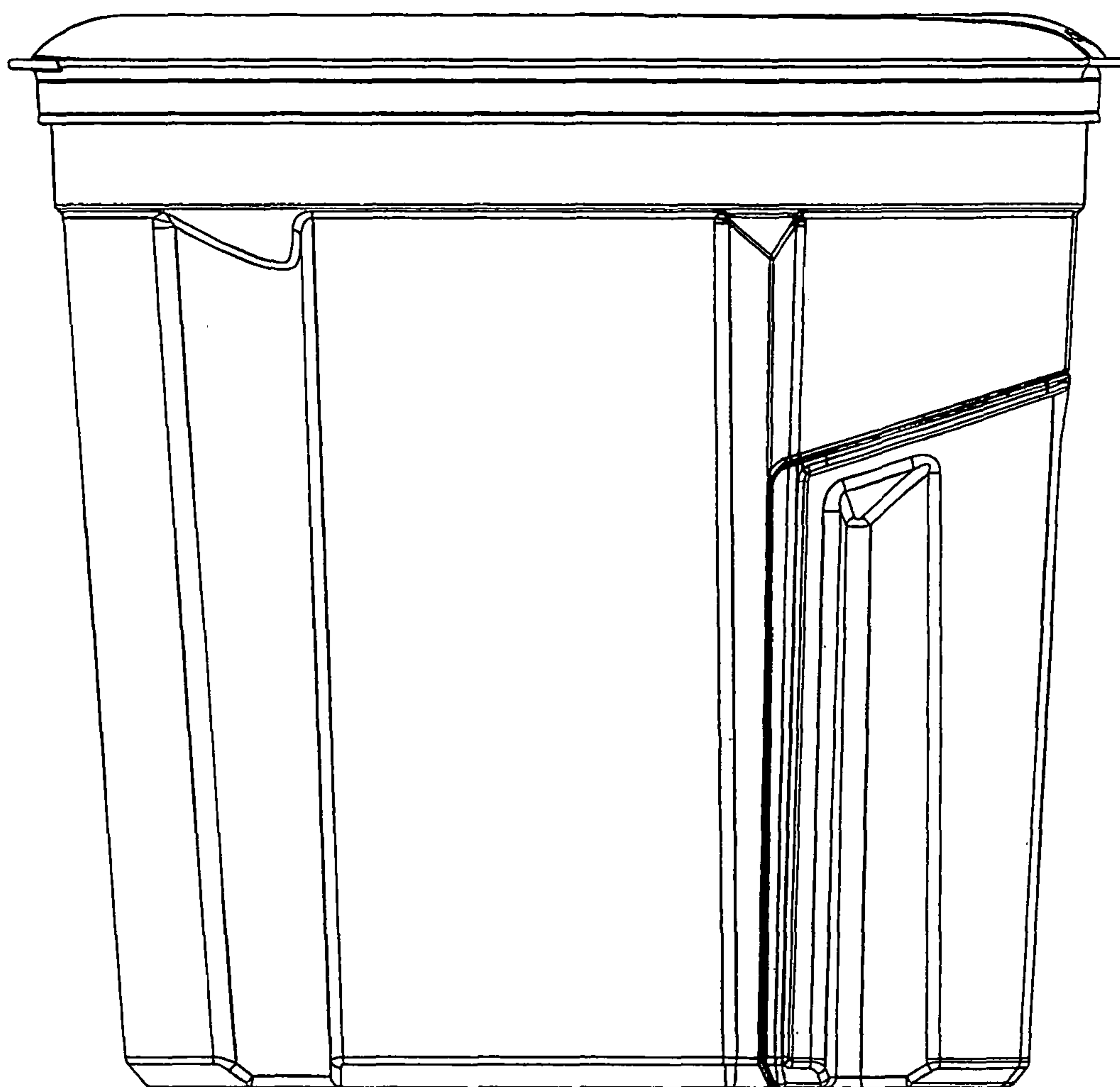


FIG. 3

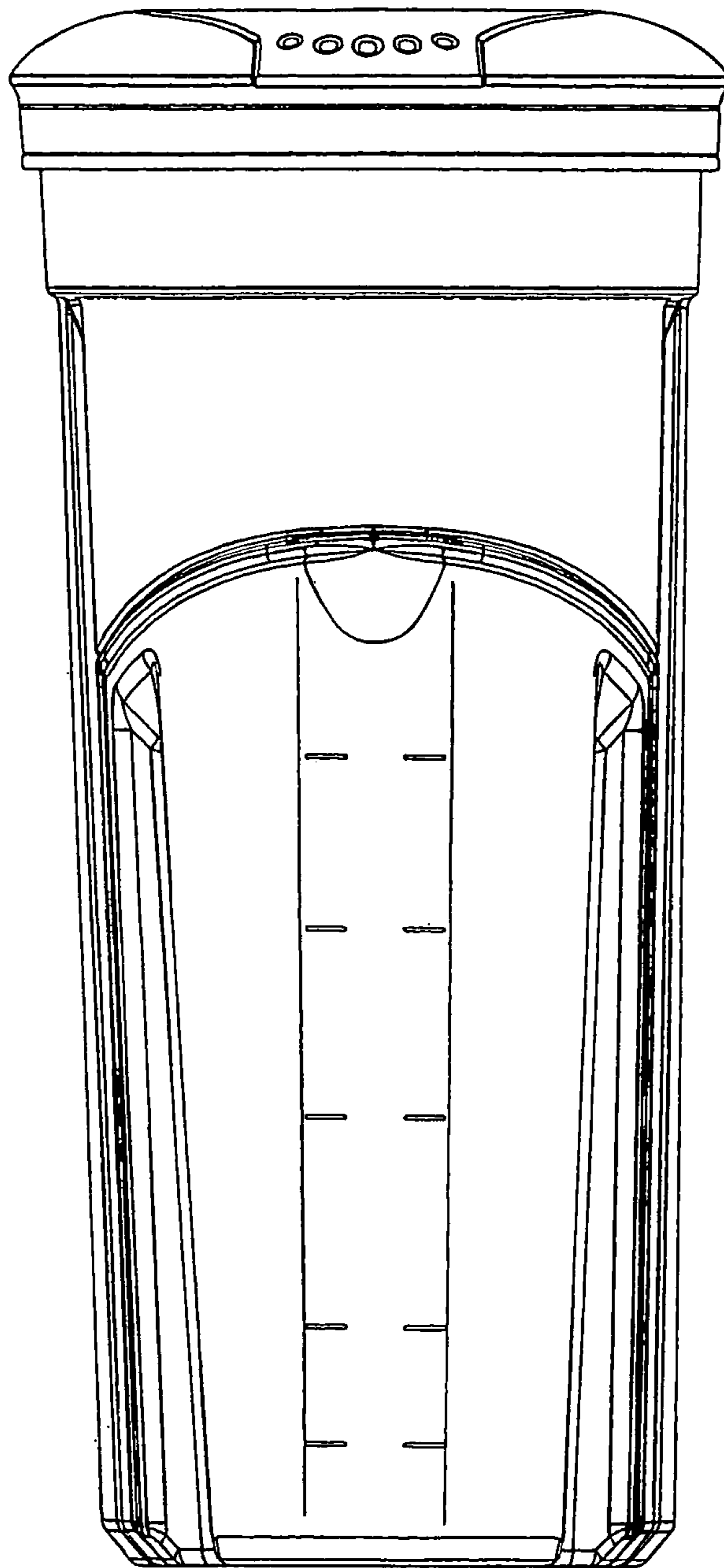


FIG. 4

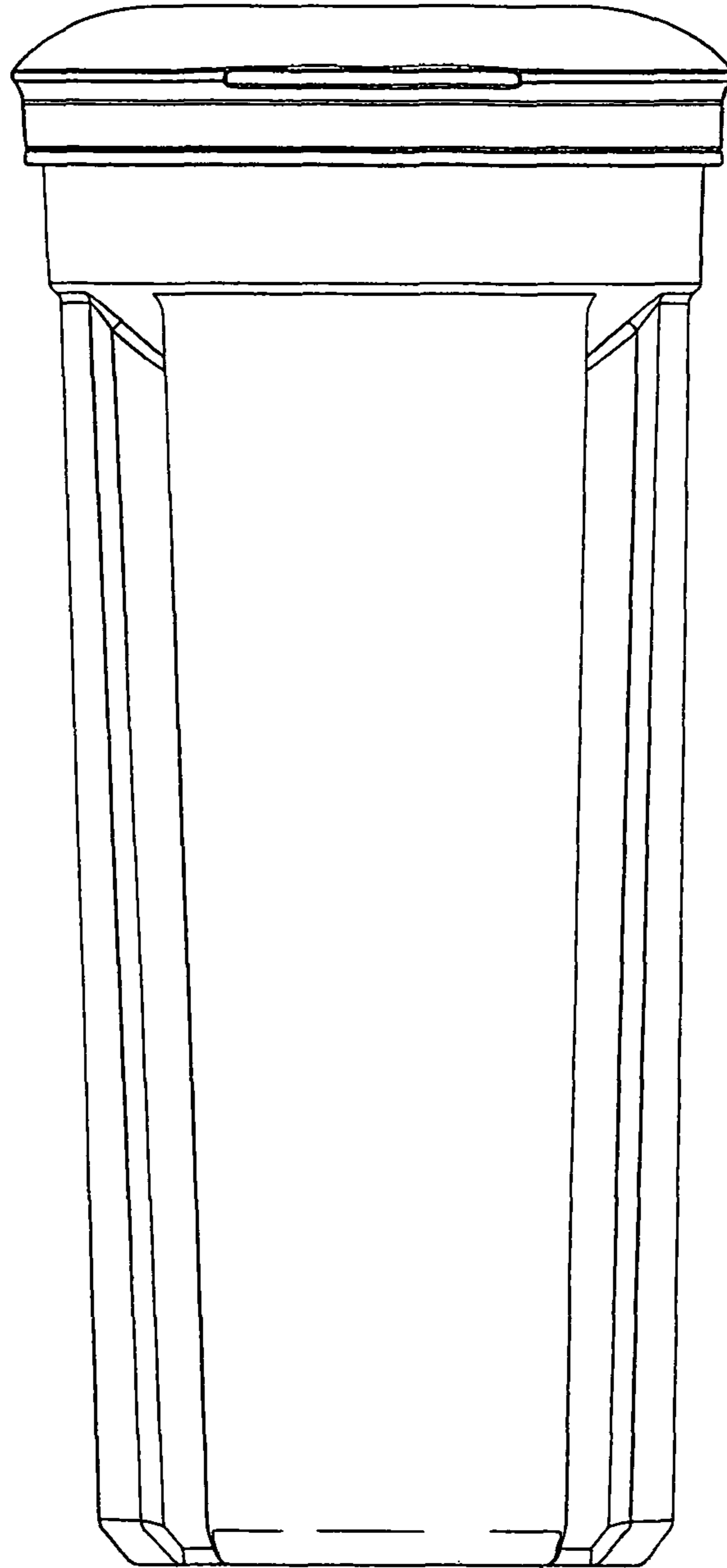


FIG. 5

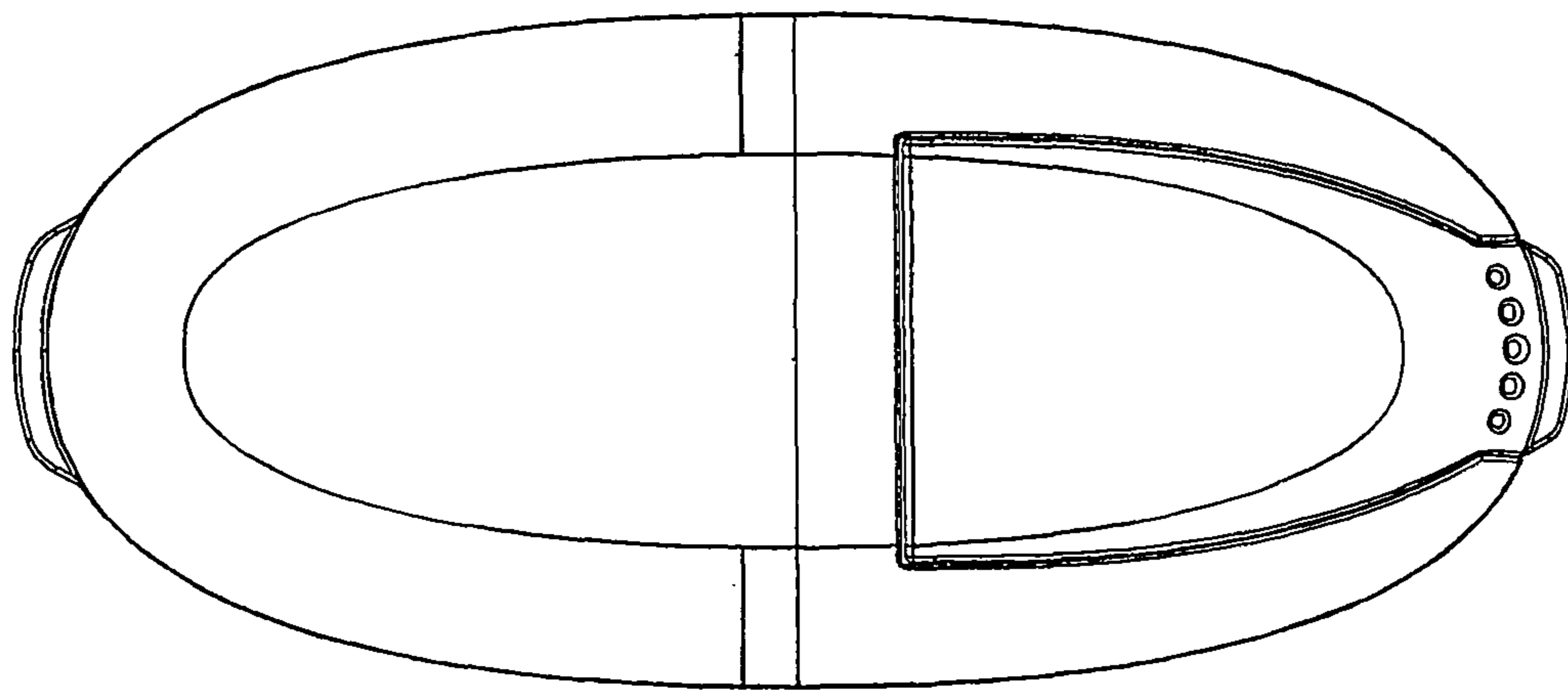


FIG. 6