



US00D736567S

(12) **United States Design Patent**
Williams

(10) **Patent No.:** **US D736,567 S**

(45) **Date of Patent:** **** Aug. 18, 2015**

- (54) **COASTER**
- (71) Applicant: **Elizabeth A. Williams**, Broken Arrow, OK (US)
- (72) Inventor: **Elizabeth A. Williams**, Broken Arrow, OK (US)
- (73) Assignee: **Firefly Industries, Inc.**, Tulsa, OK (US)
- (**) Term: **14 Years**
- (21) Appl. No.: **29/461,342**
- (22) Filed: **Jul. 22, 2013**

2,333,028 A	10/1943	Merrill	
2,709,905 A	6/1955	Dunlap	
2,989,205 A	6/1961	Yaws	
3,248,016 A	4/1966	Dahl et al.	
3,268,198 A *	8/1966	Swett	248/346.11
D228,721 S *	10/1973	Todd	D7/624.1
D229,655 S	12/1973	Cyren	
3,799,641 A	3/1974	Buck	
4,089,498 A	5/1978	Woodruff	
4,336,574 A	6/1982	Goodman	
4,978,566 A	12/1990	Scheurer et al.	
D323,383 S	1/1992	Keays et al.	
D340,270 S	10/1993	Jones	
5,273,182 A	12/1993	Laybourne	
5,316,255 A	5/1994	Marcusen	
D387,250 S	12/1997	Tubbesing	
D392,919 S	3/1998	Butler	
5,743,506 A	4/1998	Adams	
D408,227 S	4/1999	Swann, Jr.	
D428,776 S	8/2000	Shuman	
6,102,352 A *	8/2000	Kvalvog	248/346.11
D441,441 S	5/2001	Upton	
D443,924 S *	6/2001	Renella	D23/366
6,550,737 B1	4/2003	Sai et al.	
D491,257 S	6/2004	Picken, Jr.	

Related U.S. Application Data

- (60) Continuation-in-part of application No. 29/439,848, filed on Dec. 17, 2012, now Pat. No. Des. 696,077, which is a division of application No. 29/398,103, filed on Jul. 26, 2011, now Pat. No. Des. 677,994.

- (51) **LOC (10) Cl.** **07-06**
- (52) **U.S. Cl.**
USPC **D7/624.1**
- (58) **Field of Classification Search**
USPC D7/624.1-624.3, 619.1-625, 387;
D26/14, 17, 98; D23/355-369;
62/457.1-457.9; 215/393-396;
220/738, 740, 796; 228/346.01,
228/346.11, 346.2-346.5, 311.2; 239/34,
239/44, 47, 48, 53-60, 326, 650;
261/DIG. 17, DIG. 42, DIG. 65, DIG. 88,
261/DIG. 89; 392/386, 390, 394, 395;
D24/232

See application file for complete search history.

(56) **References Cited**

U.S. PATENT DOCUMENTS

493,646 A	3/1893	Paproth et al.	
1,971,337 A *	8/1934	Collins	428/66.5
2,210,102 A	8/1940	Steudel	

(Continued)

Primary Examiner — Wan Laymon

Assistant Examiner — Mark Booker

(74) *Attorney, Agent, or Firm* — Molly D. McKay

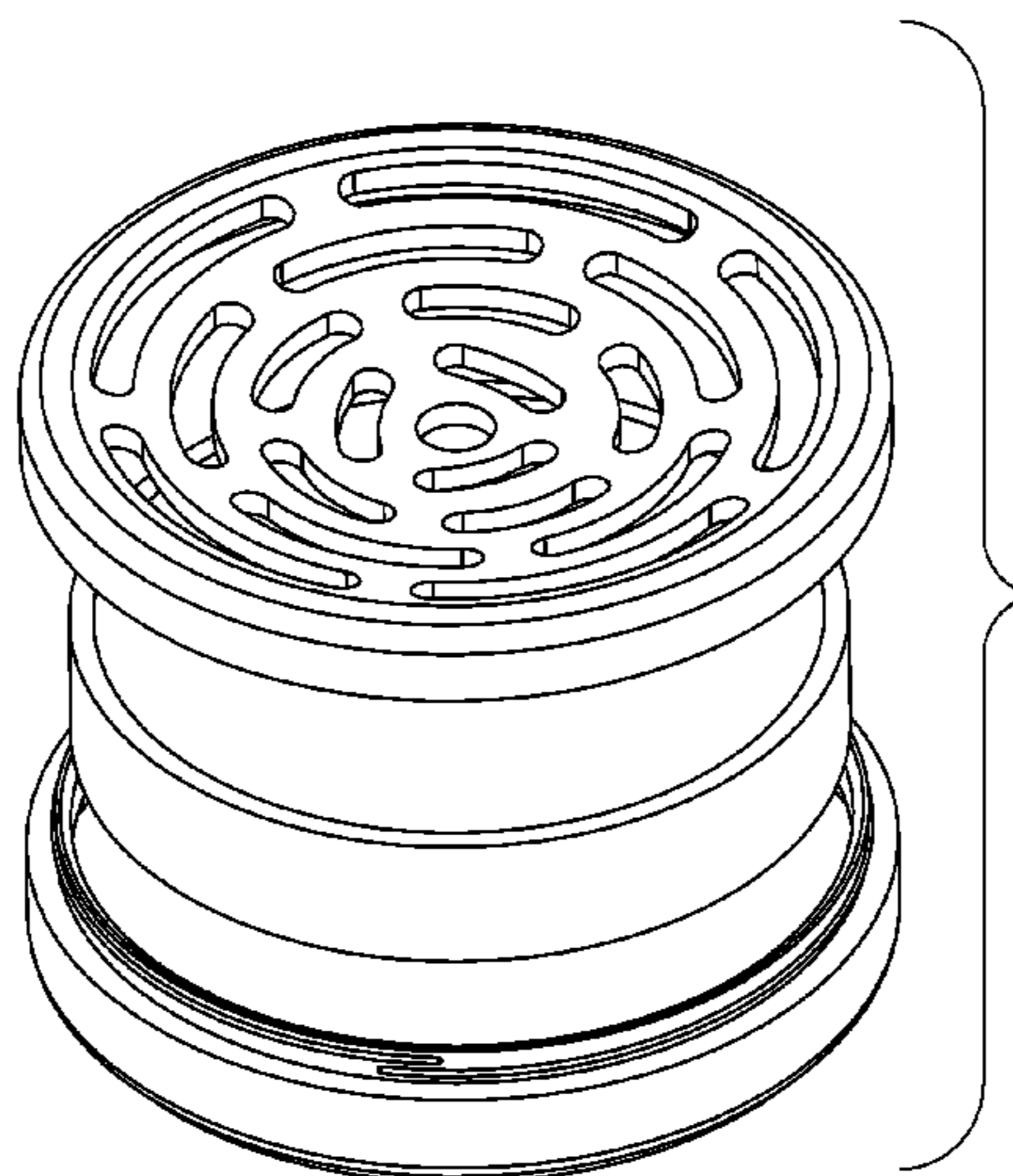
(57) **CLAIM**

The ornamental design for a coaster, as shown and described.

DESCRIPTION

FIG. 1 is an exploded perspective view of the preferred embodiment showing my new coaster design;
 FIG. 2 is a perspective view of the coaster thereof;
 FIG. 3 is a top plan view of the coaster thereof;
 FIG. 4 is side view of the coaster thereof;
 FIG. 5 is an exploded cross sectional view of the coaster of FIG. 6 thereof; and,
 FIG. 6 is a cross sectional view taken along line 6-6 of the coaster of FIG. 3 thereof.

1 Claim, 3 Drawing Sheets



(56)

References Cited

U.S. PATENT DOCUMENTS

7,240,720	B2	7/2007	Noel		
D598,530	S *	8/2009	Whitehead et al.	D23/366	
D638,664	S	5/2011	Mayer		
D673,253	S	12/2012	Mack		
D677,994	S	3/2013	Williams		
D694,061	S *	11/2013	Lee et al.	D7/388	
2002/0121583	A1	9/2002	Jones et al.		
2003/0106981	A1	6/2003	Ropp		
2006/0016294	A1	1/2006	McGrath et al.		
2006/0242989	A1 *	11/2006	Chan	62/457.3	
2007/0012067	A1	1/2007	Kaplan		
2008/0272261	A1	11/2008	Morlan		
2009/0020676	A1	1/2009	Curry		
2009/0060799	A1	3/2009	Torres		
2011/0290976	A1 *	12/2011	Kraus, Jr.	248/346.11	
2012/0223089	A1	9/2012	Moore		

* cited by examiner

FIG. 1

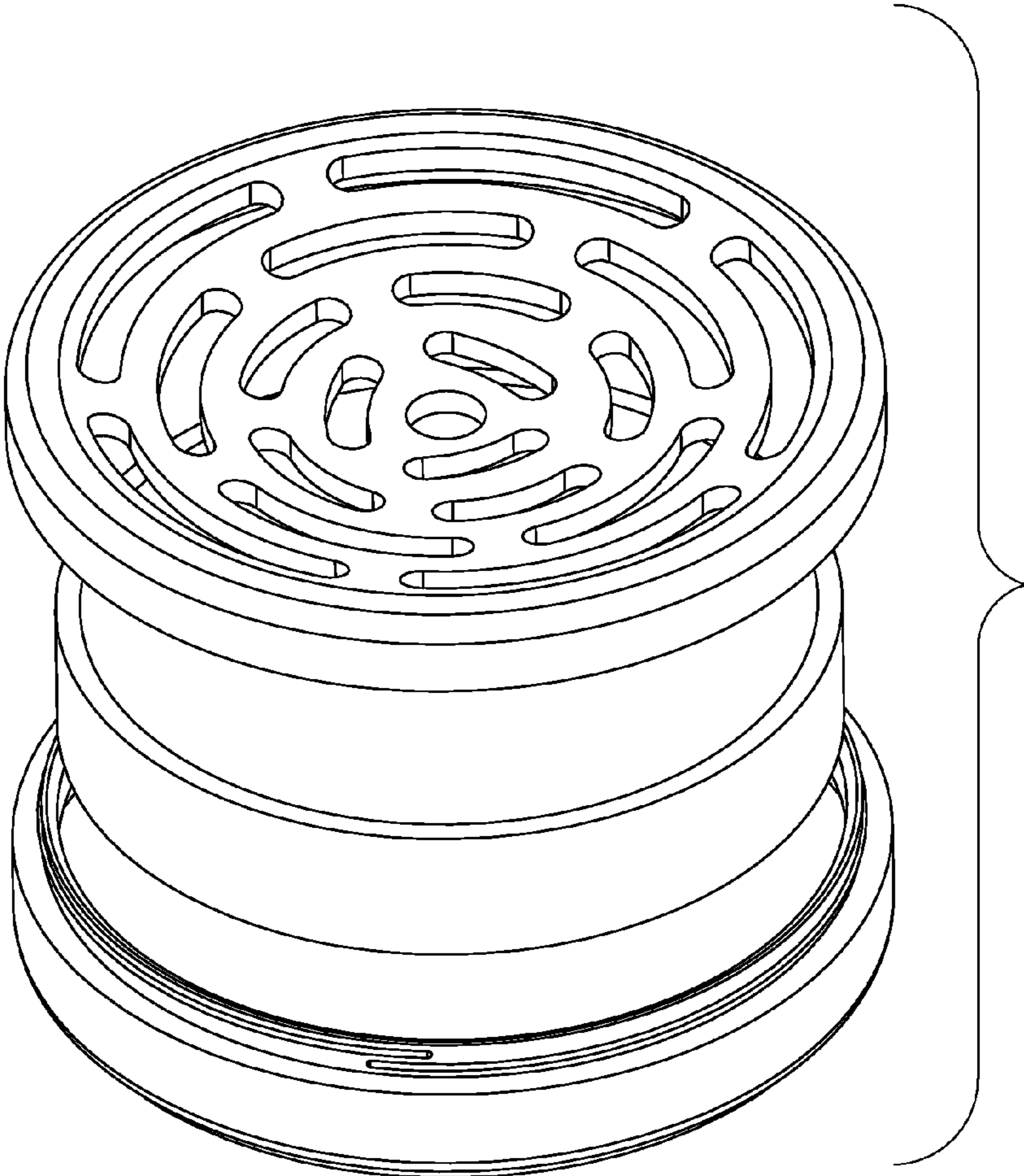


FIG. 2

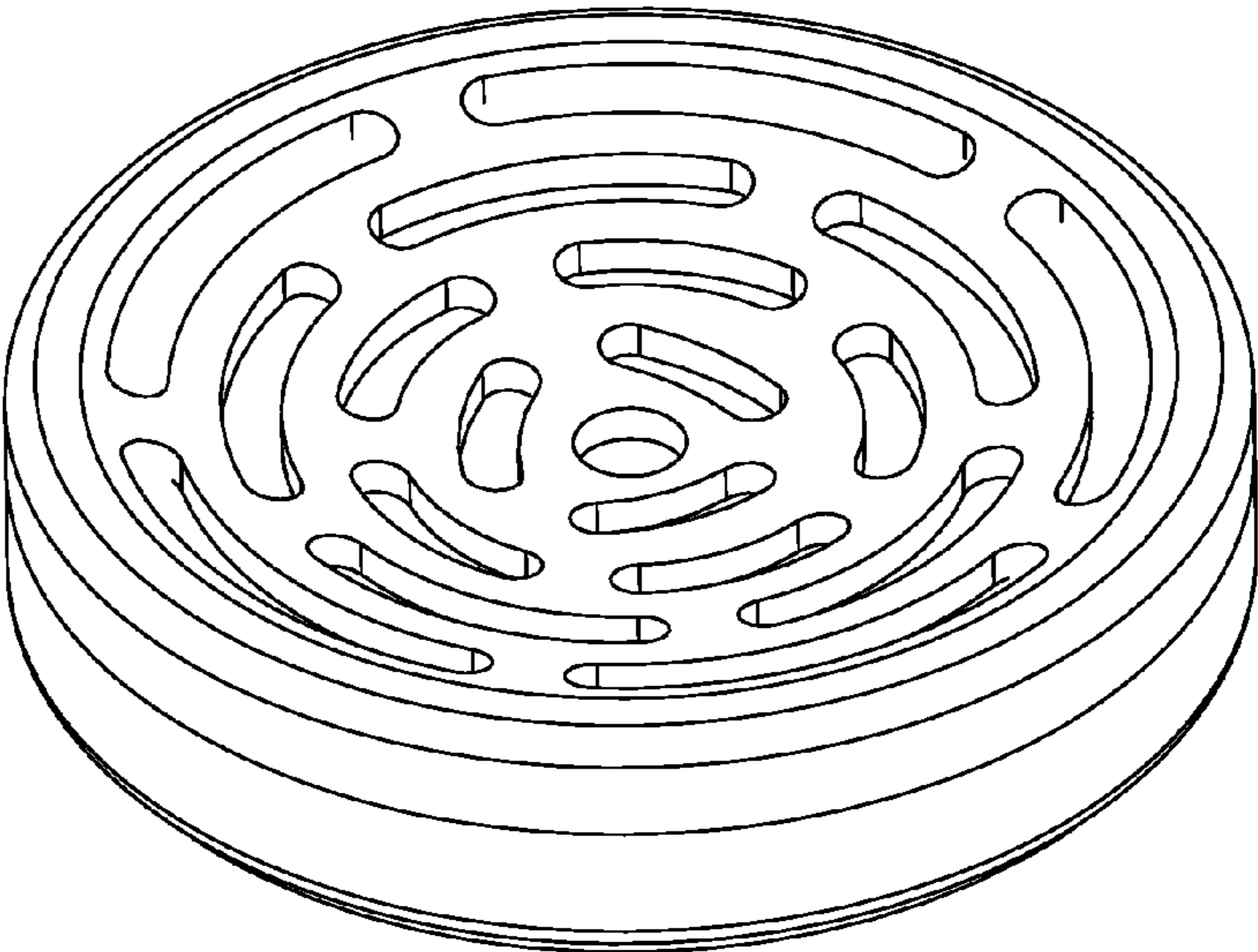




FIG. 3

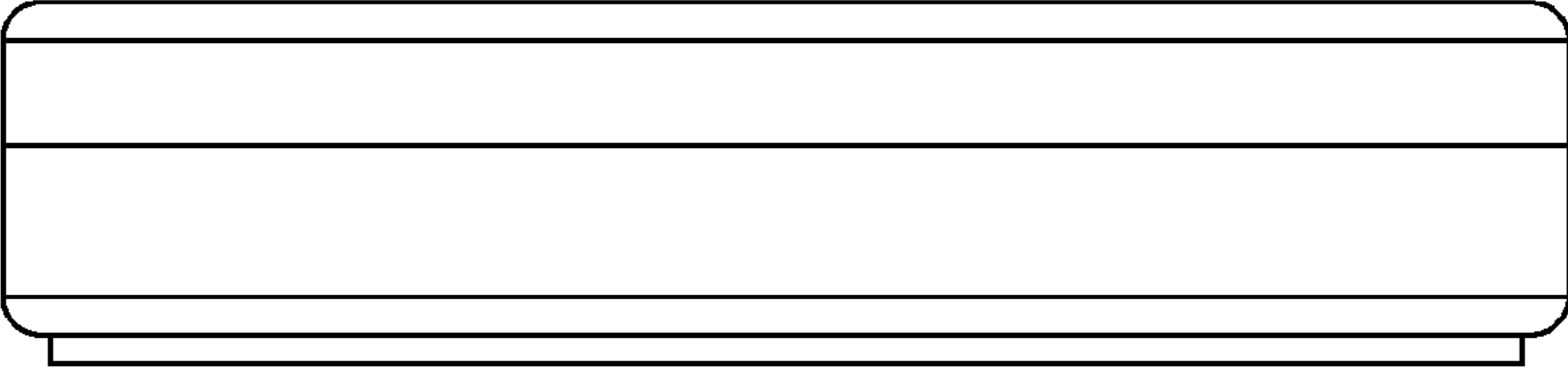


FIG. 4

FIG. 5

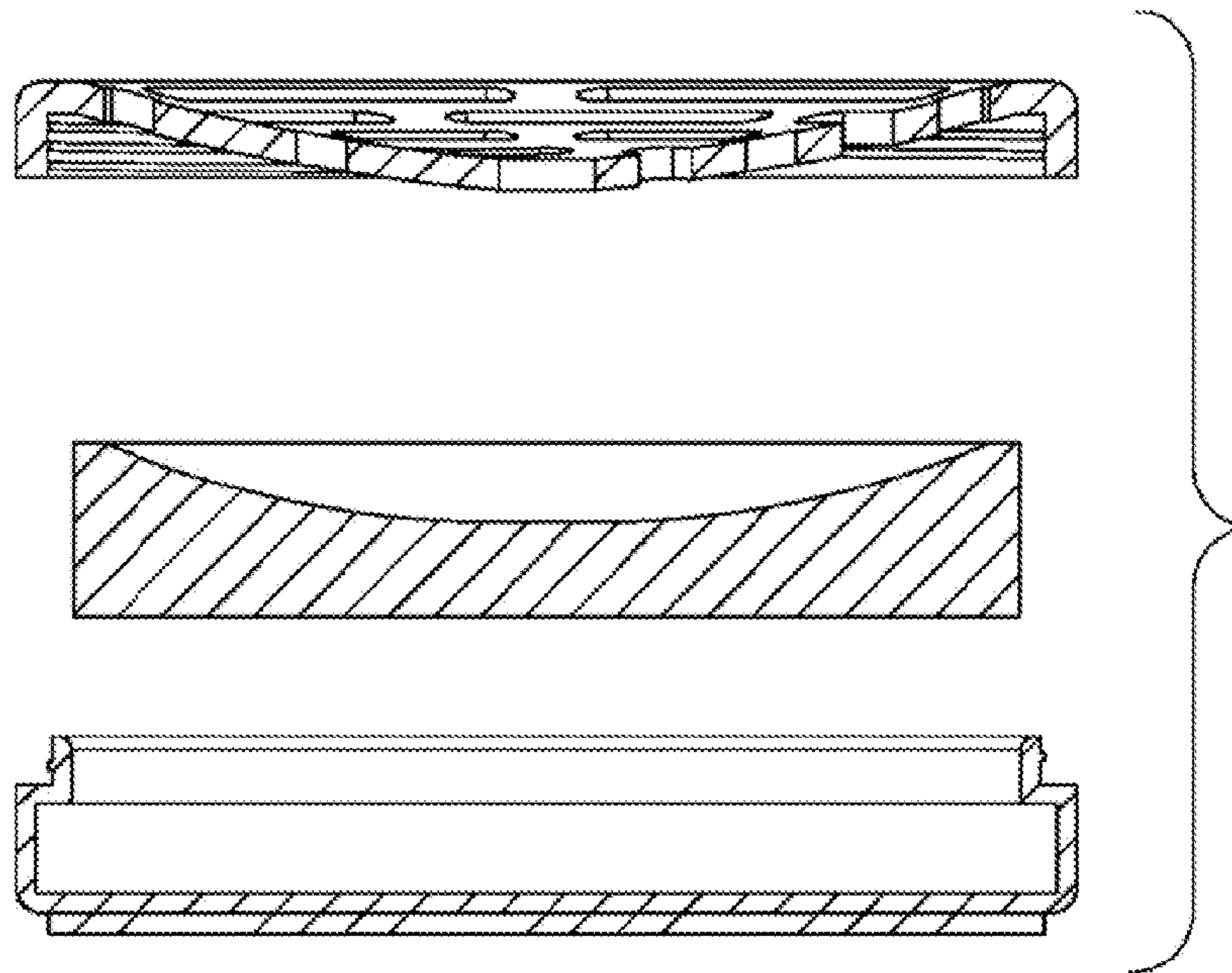


FIG. 6

