



US00D736566S

(12) **United States Design Patent**  
**Tsai**

(10) **Patent No.:** **US D736,566 S**  
(45) **Date of Patent:** **\*\* Aug. 18, 2015**

(54) **KITCHEN CUTTING BOARD ORGANIZER**

5/06; A47F 1/00; A47F 1/04; A47F 3/00;  
F16M 11/38

(71) Applicant: **Tsung-Yu Tsai**, Changhua (TW)

See application file for complete search history.

(72) Inventor: **Tsung-Yu Tsai**, Changhua (TW)

(56) **References Cited**

(\*\*) Term: **14 Years**

U.S. PATENT DOCUMENTS

(21) Appl. No.: **29/465,016**

(22) Filed: **Aug. 22, 2013**

(51) **LOC (10) Cl.** ..... **07-01**

(52) **U.S. Cl.**

USPC ..... **D7/601**

(58) **Field of Classification Search**

USPC ..... D7/601, 600.1, 600.3, 600.4, 600.2,  
D7/571-572, 576-577, 582-583, 602, 628,  
D7/631, 634, 637, 704, 409, 504, 323;  
D6/315, 317, 319, 329, 673, 675,  
D6/675.2, 675.3, 675.5, 566, 567,  
D6/569-572, 574, 672, 682, 682.2, 682.4,  
D6/683-683.1, 677, 677.1, 672.2, 677.3,  
D6/677.5, 680, 680.1, 680.2, 680.3, 681,  
D6/681.1; D19/90-92, 75, 78; 220/485,  
220/491, 493, 487, 488, 490, 494; 211/11,  
211/126.9, 133.5, 85.4, 41.11, 59.2-59.3,  
211/90.03, 85.31, 85.26, 126.5, 134, 153,  
211/186-188, 181.1; 248/312, 235, 243,  
248/219.1, 250; 126/332

CPC ..... A47J 43/00; A47B 73/002; A47B 73/00;  
A47B 73/004; A47B 73/006; A47B 55/02;  
A47B 43/00; A47B 43/003; A47B 43/04;  
A47B 46/00; A47B 46/005; A47B 47/00;  
A47B 47/0008; A47B 47/0025; A47B  
47/0058; A47B 47/0075; A47B 47/0083;  
A47B 47/02; A47B 47/021; A47B 47/03;  
B65D 21/0211; A47F 5/00; A47F 5/0018;  
A47F 5/0043; A47F 5/005; A47F 5/0056;  
A47F 5/0062; A47F 5/0081; A47F 5/01;  
A47F 7/00; A47F 7/0007; A47F 7/0042;  
A47F 7/0057; A47F 7/0064; A47F 7/0071;  
A47F 5/0807; A47F 5/0876; A47F 5/0006;  
A47F 5/0012; A47F 5/04; A47F 5/05; A47F

1,563,057	A *	11/1925	Williams	.....	211/134
2,276,141	A *	3/1942	Atkinson	.....	211/37
D162,926	S *	4/1951	Berkowitz	.....	D6/462
D189,356	S *	11/1960	Kolkey	.....	D6/462
3,063,567	A *	11/1962	Campbell	.....	211/43
3,083,836	A *	4/1963	Bussemer	.....	211/134
D221,703	S *	8/1971	Fleming	.....	D19/90
D314,098	S *	1/1991	Kee	.....	D6/678.4
5,111,940	A *	5/1992	VanNoord	.....	211/40
D329,954	S *	10/1992	Sharon et al.	.....	D6/675.5
D353,400	S *	12/1994	Goodman et al.	.....	D19/90
D387,949	S *	12/1997	Bentson	.....	D7/409
D419,335	S *	1/2000	Kopala, Jr.	.....	D6/672
D421,062	S *	2/2000	Goodman et al.	.....	D19/90
D421,273	S *	2/2000	Goodman et al.	.....	D19/90
D538,106	S *	3/2007	Julian	.....	D7/409
D542,092	S *	5/2007	Raichlen et al.	.....	D7/409

(Continued)

*Primary Examiner* — Ian Simmons

*Assistant Examiner* — Shannon Morgan

(74) *Attorney, Agent, or Firm* — QuickPatents; Kevin Prince

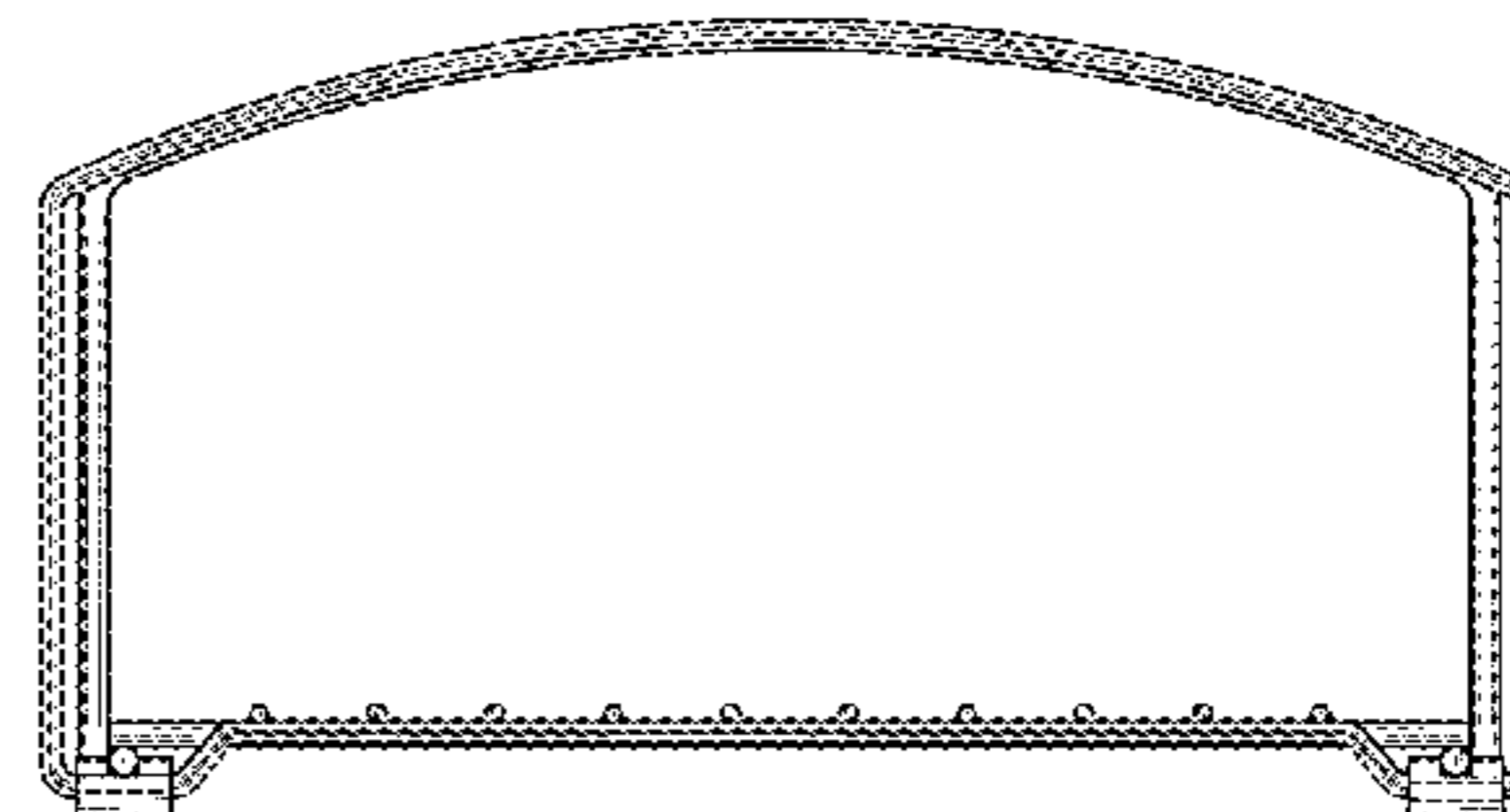
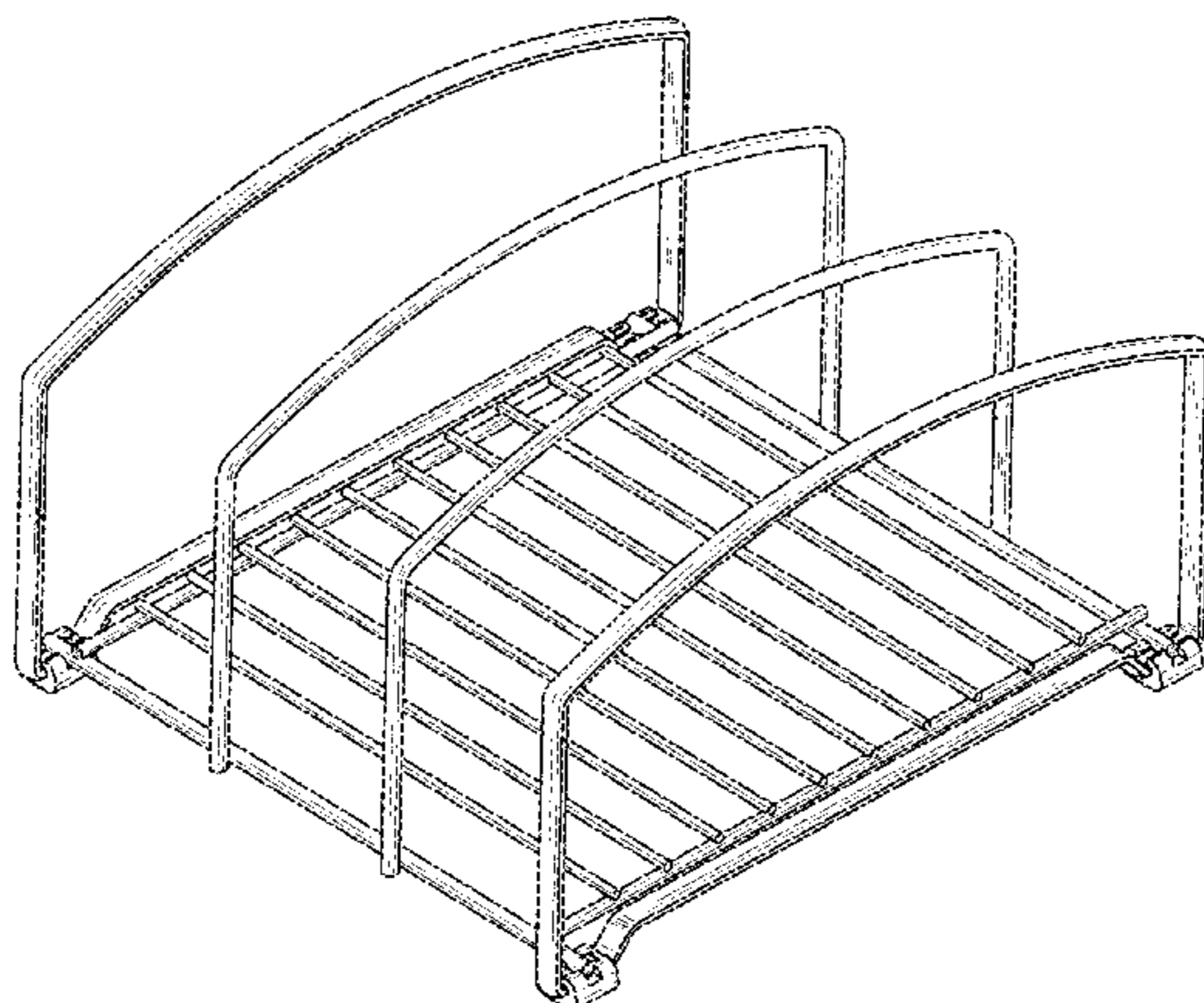
(57) **CLAIM**

I claim the ornamental design for a kitchen cutting board organizer, as shown and described.

**DESCRIPTION**

FIG. 1 is a perspective view of a kitchen cutting board organizer, showing my new design;  
FIG. 2 is a front elevational view thereof, the rear elevational view being a mirror image thereof;  
FIG. 3 is a left-side elevational view thereof, the right-side elevational view being a mirror image thereof;  
FIG. 4 is a top plan view thereof; and,  
FIG. 5 is a bottom plan view thereof.

**1 Claim, 3 Drawing Sheets**



(56)

**References Cited**

U.S. PATENT DOCUMENTS

D555,203 S \* 11/2007 Goodman et al. .... D19/90  
D588,378 S \* 3/2009 Goodman et al. .... D7/704  
D595,189 S \* 6/2009 Palmer ..... D12/115  
D640,510 S \* 6/2011 Guindi ..... D7/631

D658,939 S \* 5/2012 Adams et al. .... D7/402  
D668,103 S \* 10/2012 Cloutier et al. .... D7/402  
D694,580 S \* 12/2013 Cloutier et al. .... D7/402  
8,627,764 B1 \* 1/2014 Cloutier et al. .... 99/450  
D709,719 S \* 7/2014 Hsu ..... D6/683.1  
D717,371 S \* 11/2014 Tsai ..... D19/90  
2015/0076086 A1 \* 3/2015 Tsai ..... 211/11

\* cited by examiner

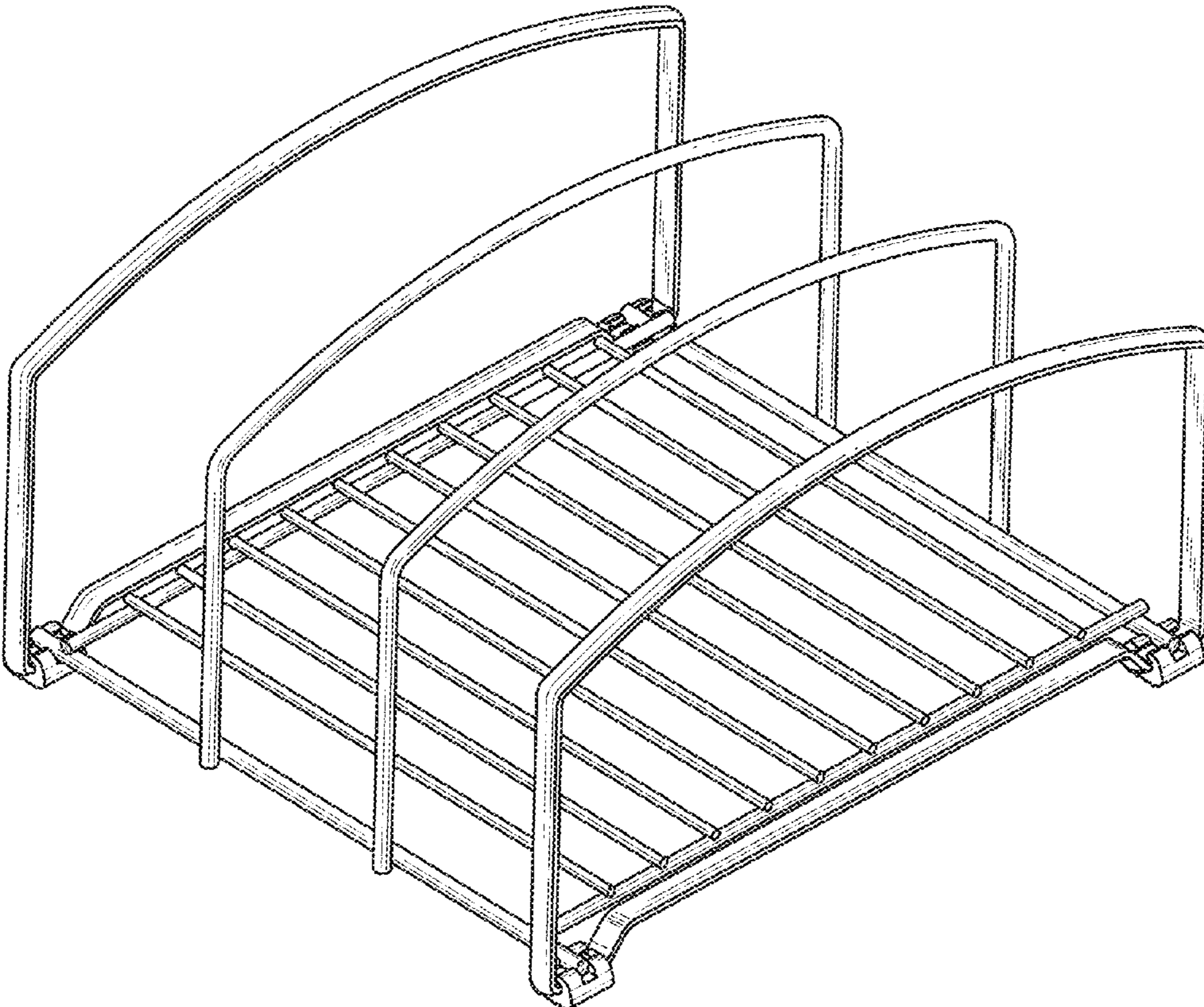


FIG. 1

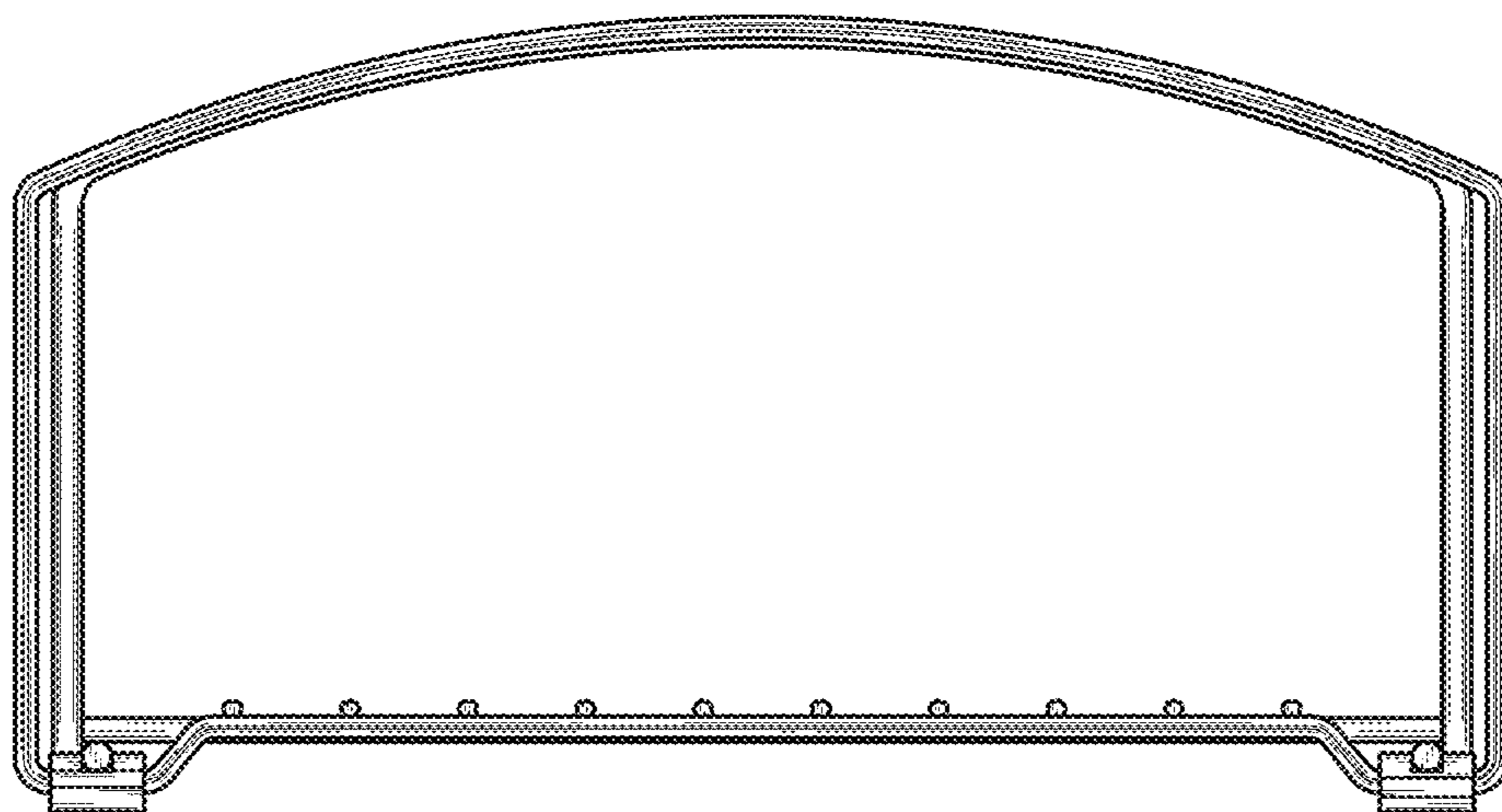


FIG. 2

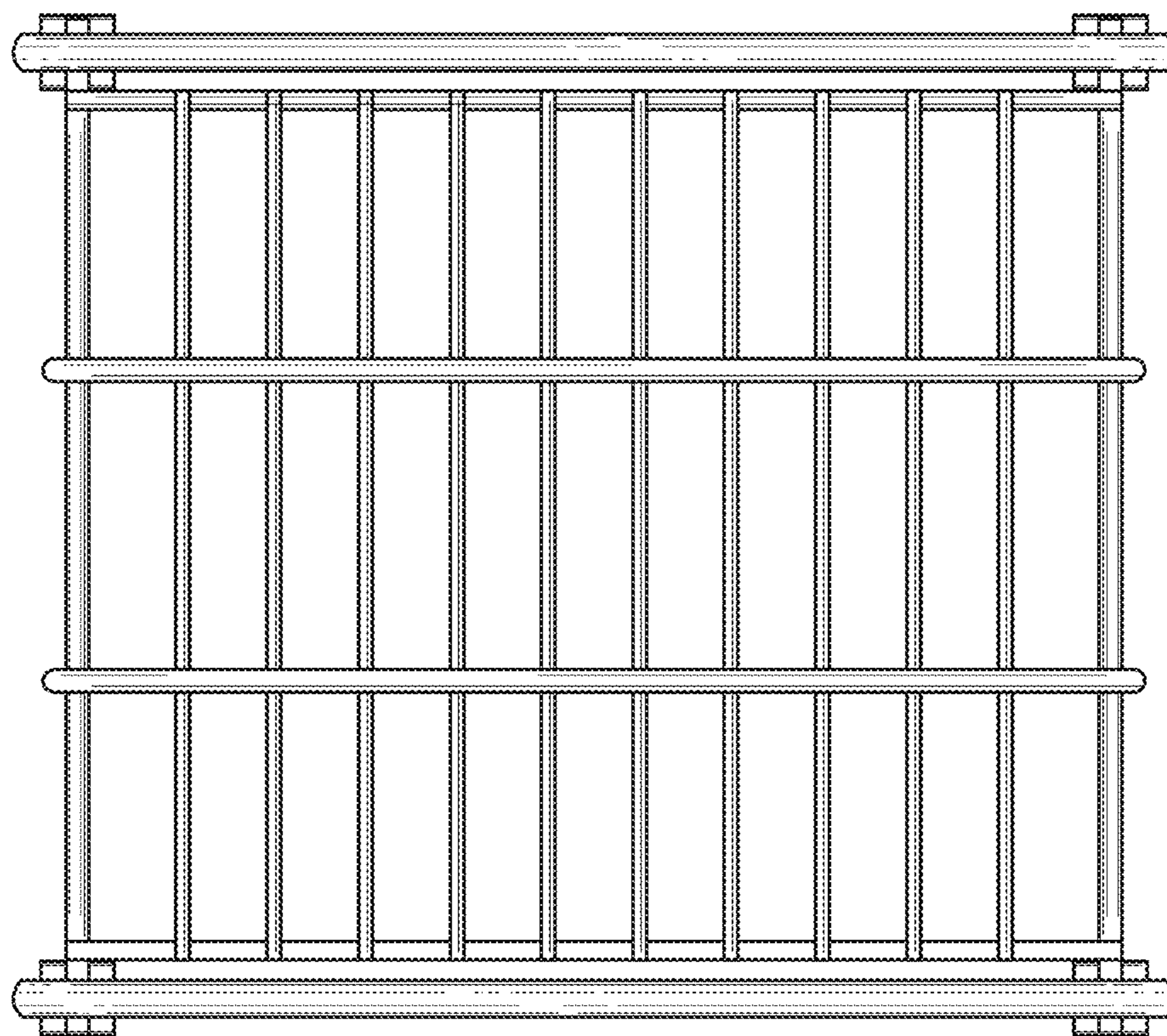


FIG. 4

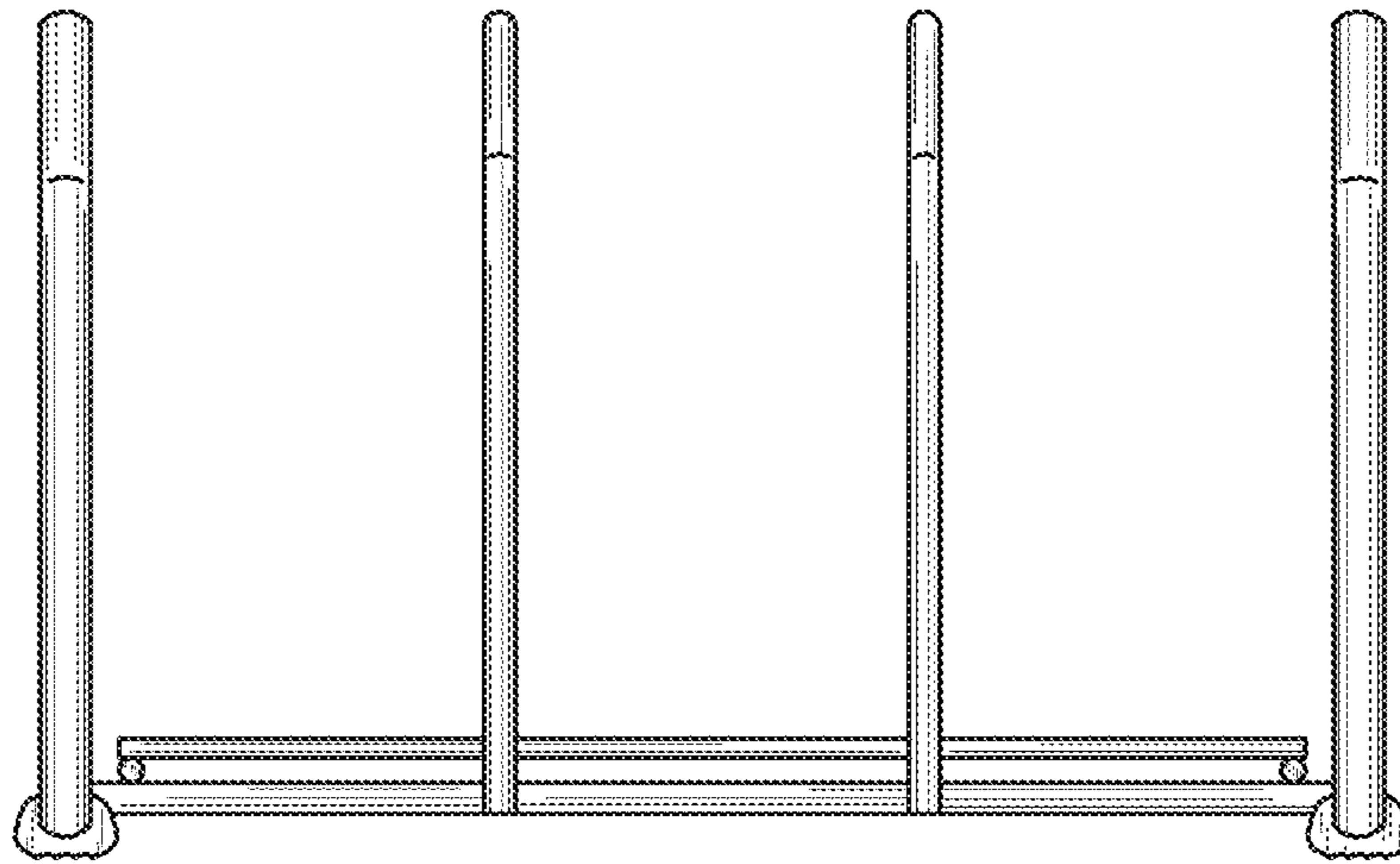


FIG. 3

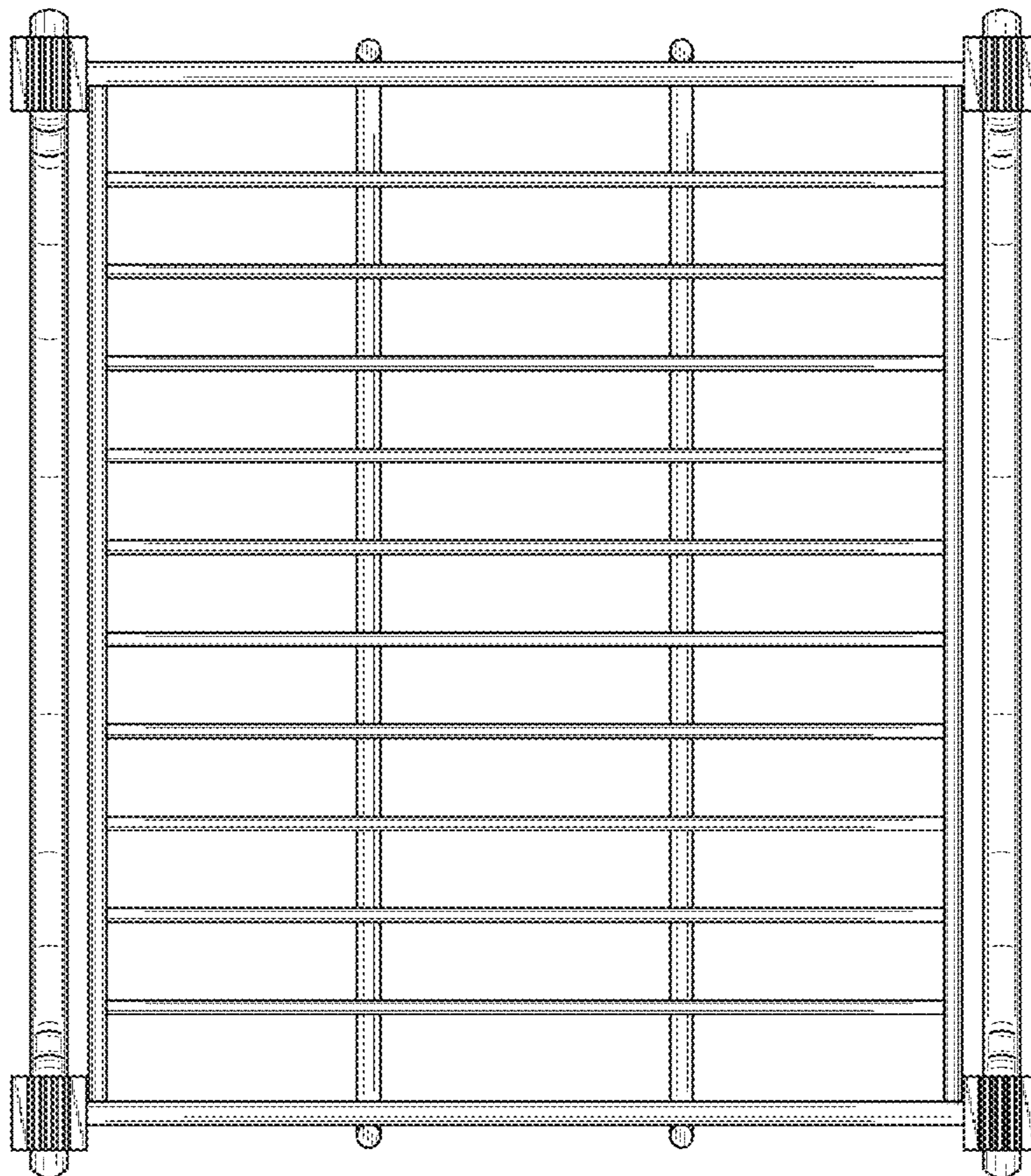


FIG. 5