



US00D736565S

(12) **United States Design Patent**
Wright

(10) **Patent No.:** **US D736,565 S**

(45) **Date of Patent:** **** Aug. 18, 2015**

(54) **DUAL COMPARTMENT CONTAINER**

(71) Applicant: **Kelly Gene Wright, Esterhazy (CA)**

(72) Inventor: **Kelly Gene Wright, Esterhazy (CA)**

(**) Term: **14 Years**

(21) Appl. No.: **29/471,153**

(22) Filed: **Oct. 29, 2013**

(51) **LOC (10) Cl.** **07-01**

(52) **U.S. Cl.**
USPC **D7/541**

(58) **Field of Classification Search**

USPC D7/545, 543, 500, 536, 302, 318, 598,
D7/548, 539, 538, 599, 541, 312, 412, 589,
D7/596, 614, 701, 513; 220/574, 574.1;
D9/737

CPC A47G 19/00
See application file for complete search history.

(56) **References Cited**

U.S. PATENT DOCUMENTS

4,955,503	A *	9/1990	Propes	220/526
D428,768	S *	8/2000	Betras	D7/510
D625,954	S *	10/2010	Mouquet	D7/509
7,975,868	B1 *	7/2011	Flies et al.	220/524
D684,011	S *	6/2013	Fallas	D7/513
D689,739	S *	9/2013	Schmitt	D7/513
D722,828	S *	2/2015	Shamoon et al.	D7/513
2007/0267424	A1 *	11/2007	Marks	220/703
2008/0000866	A1 *	1/2008	Yates	215/6
2009/0127263	A1 *	5/2009	Hylton	220/507
2013/0001233	A1 *	1/2013	Hylton	220/592.2

* cited by examiner

Primary Examiner — Cynthia Underwood

(57) **CLAIM**

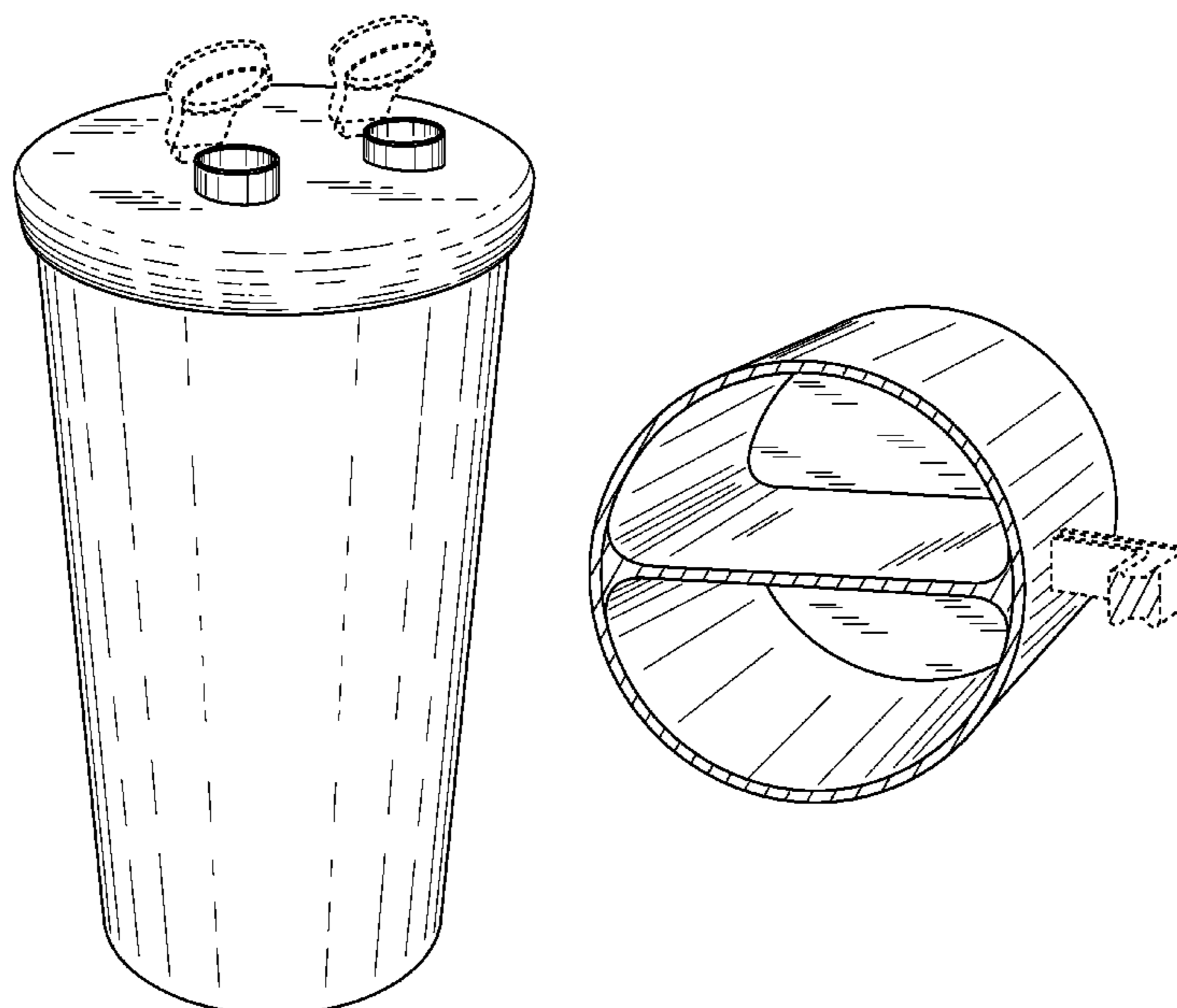
The ornamental design for a dual compartment container, as shown and described.

DESCRIPTION

FIG. 1 is a perspective view of a dual compartment container; FIG. 2 is a left-side elevational view thereof; FIG. 3 is a right-side elevational view thereof; FIG. 4 is a rear elevational view thereof; FIG. 5 is a front elevational view thereof; FIG. 6 is a top plan view thereof; FIG. 7 is a bottom plan view thereof; FIG. 8 is a top plan cross-sectional view thereof taken along line 8-8 of FIG. 13; FIG. 9 is a bottom plan cross-sectional view thereof taken along line 9-9 of FIG. 14; FIG. 10 is a top perspective cross-sectional view thereof taken along line 10-10 of FIG. 15; FIG. 11 is a bottom perspective cross-sectional view thereof taken along line 11-11 of FIG. 16; FIG. 12 is a bottom perspective view thereof; FIG. 13 is a front elevational view thereof, showing the plane upon which a cross-sectional view is taken and shown in FIG. 8; FIG. 14 is a front elevational view thereof, showing the plane upon which a cross-sectional view is taken and shown in FIG. 9; FIG. 15 is a front elevational view thereof, showing the plane upon which a cross-sectional view is taken and shown in FIG. 10; and, FIG. 16 is a front elevational view thereof, showing the plane upon which a cross-sectional view is taken and shown in FIG. 11.

The broken line showing of caps and a handle is for the purpose of illustrating environmental structure and forms no part of the claimed design.

1 Claim, 16 Drawing Sheets



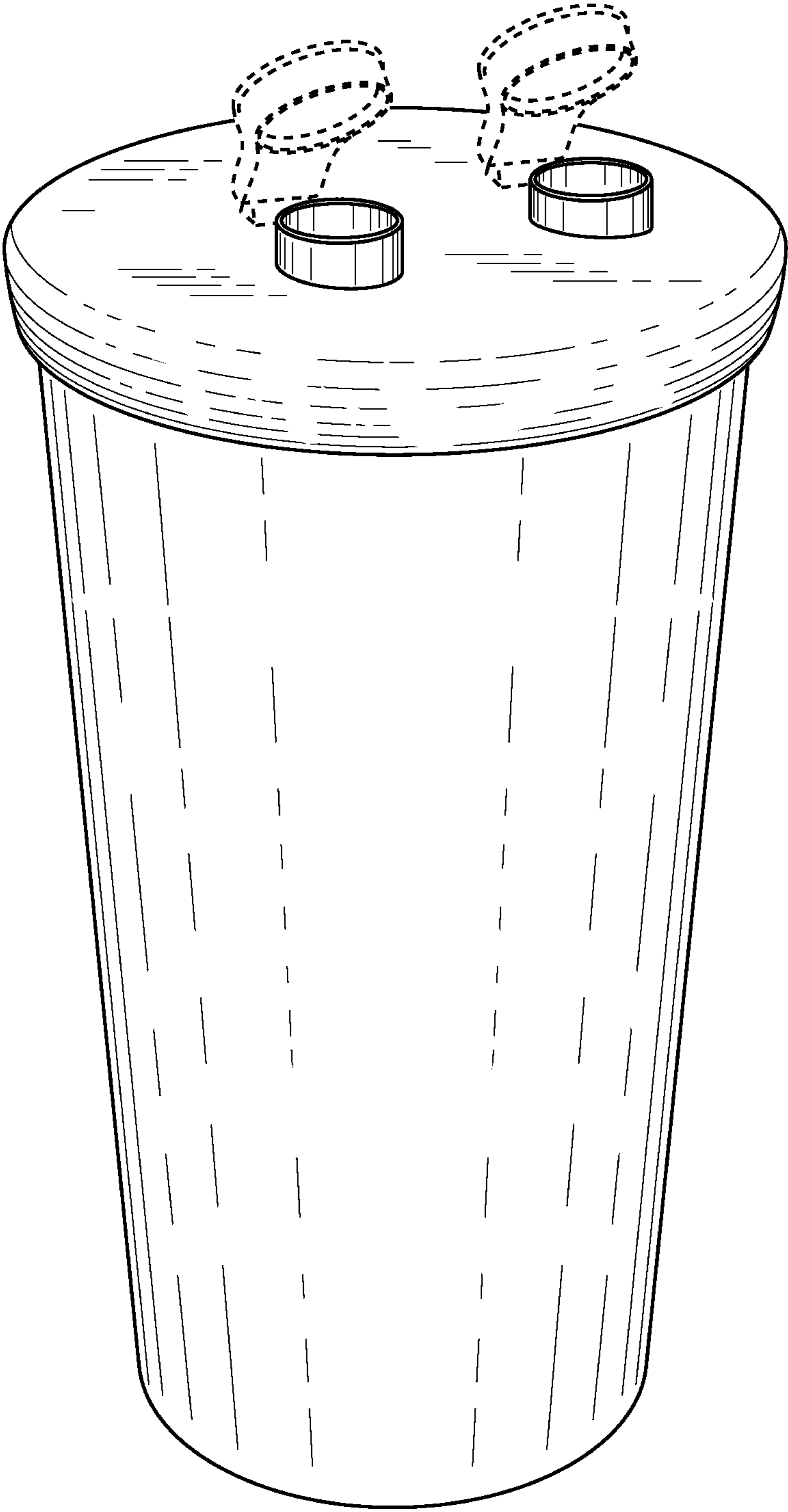


FIG. 1

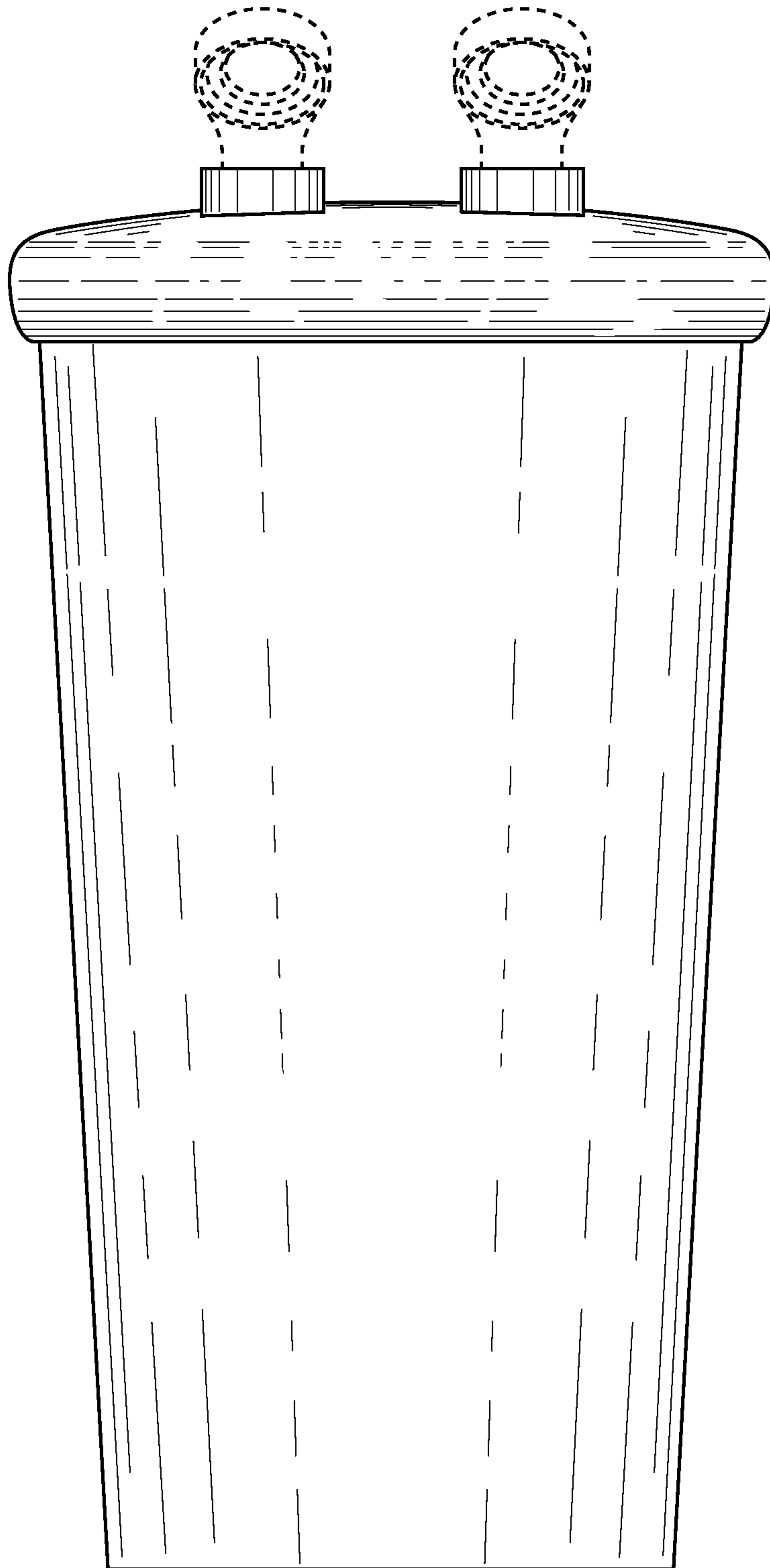


FIG. 2

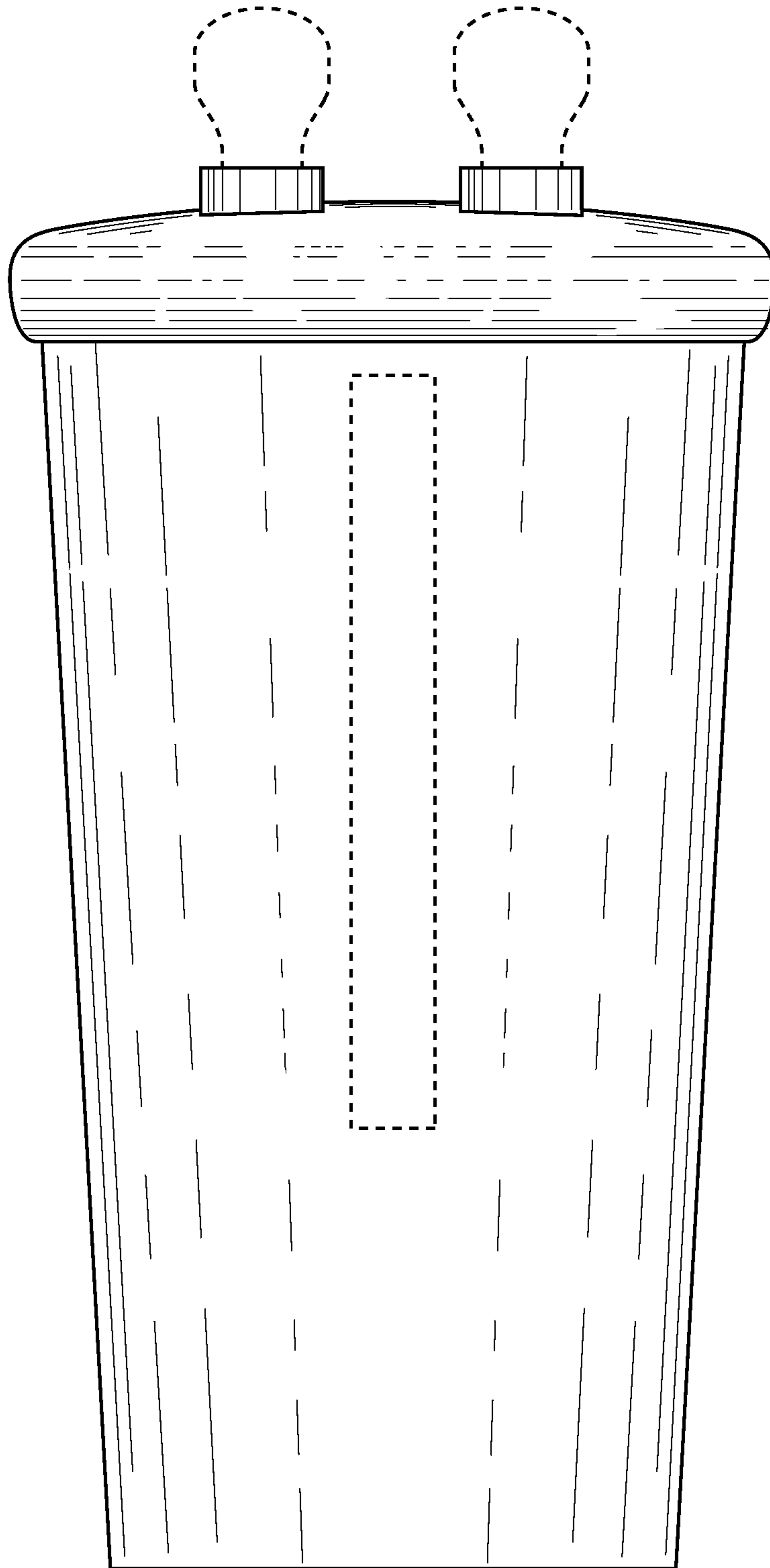


FIG. 3

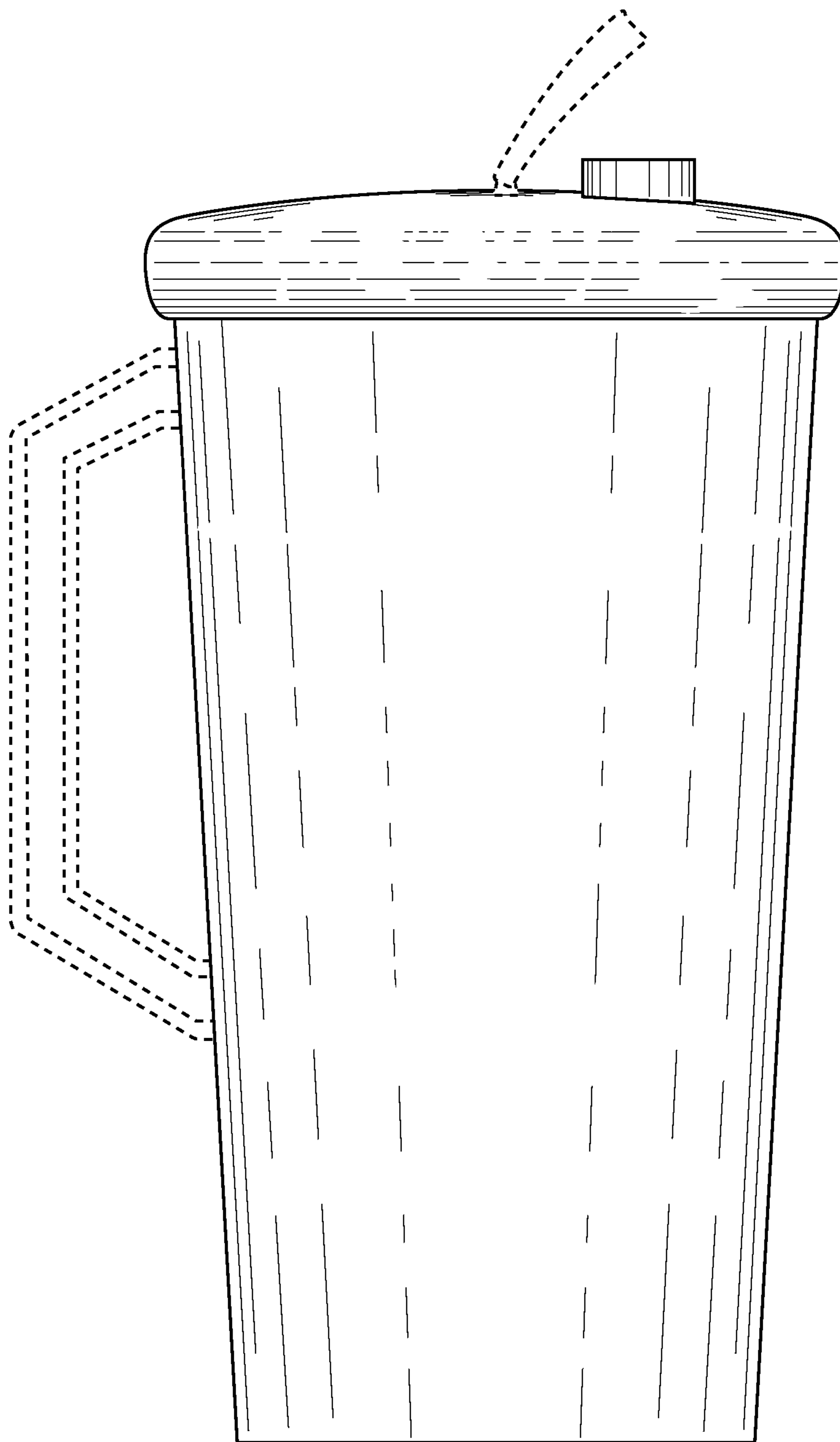


FIG. 4

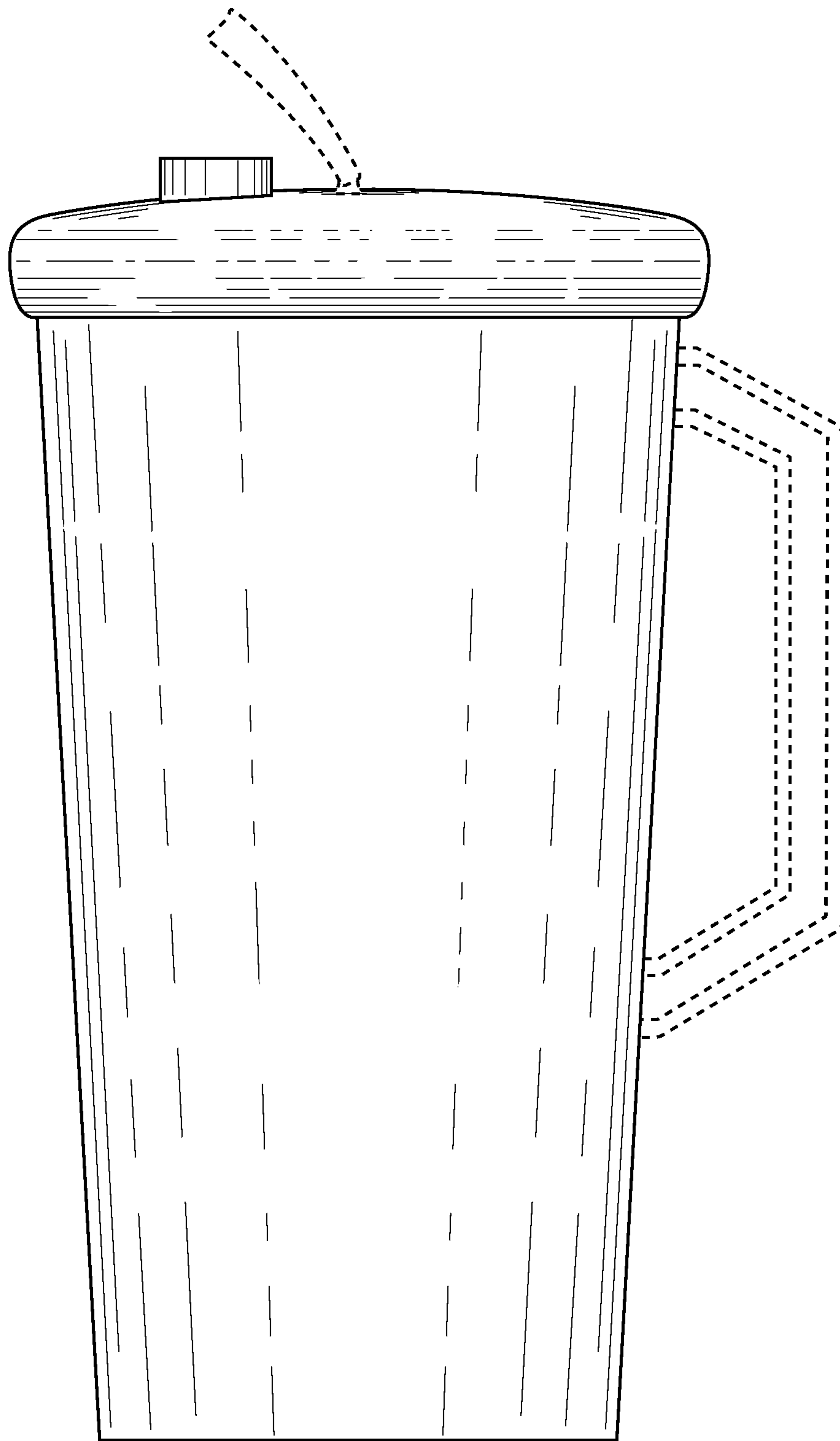


FIG. 5

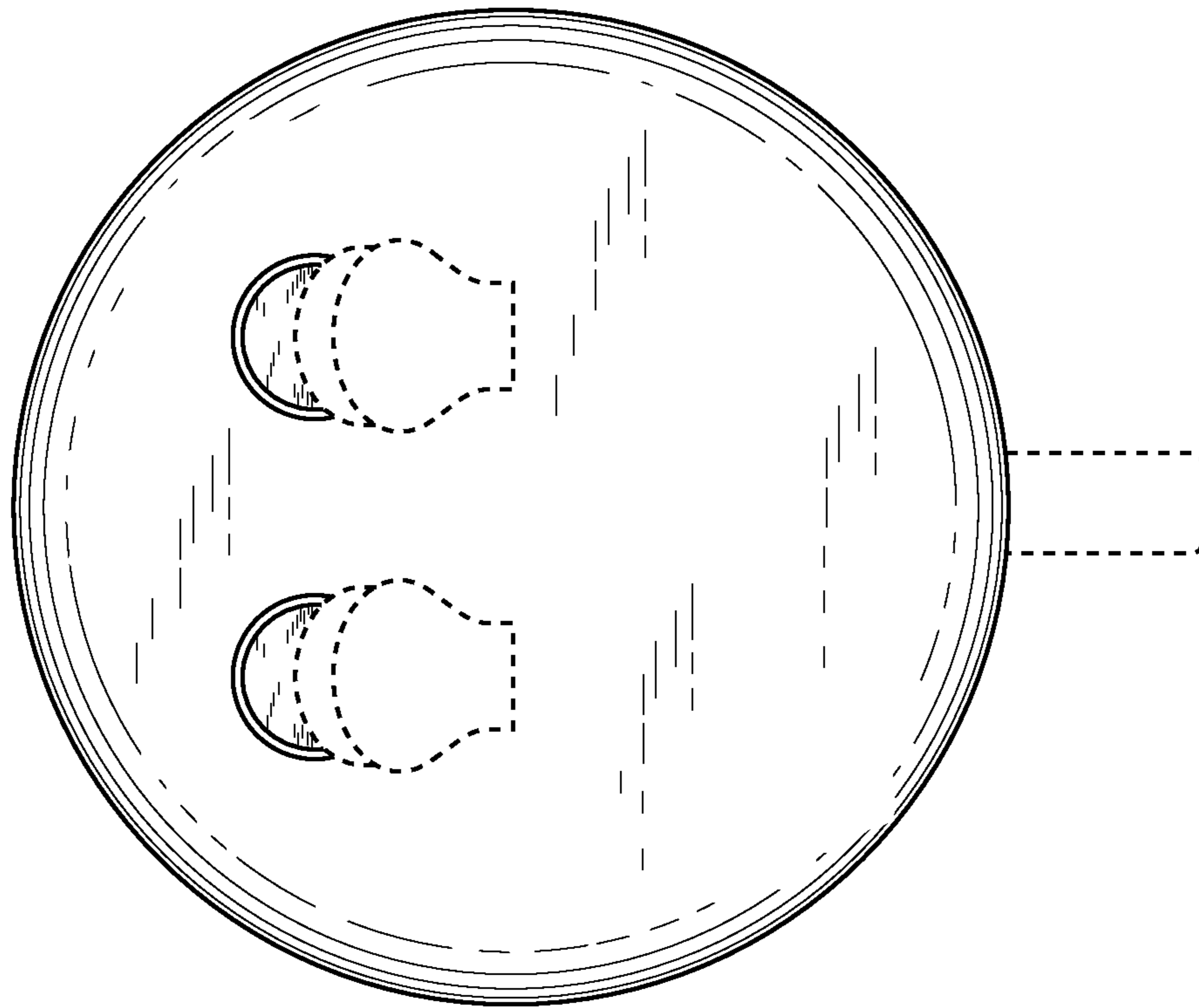


FIG. 6

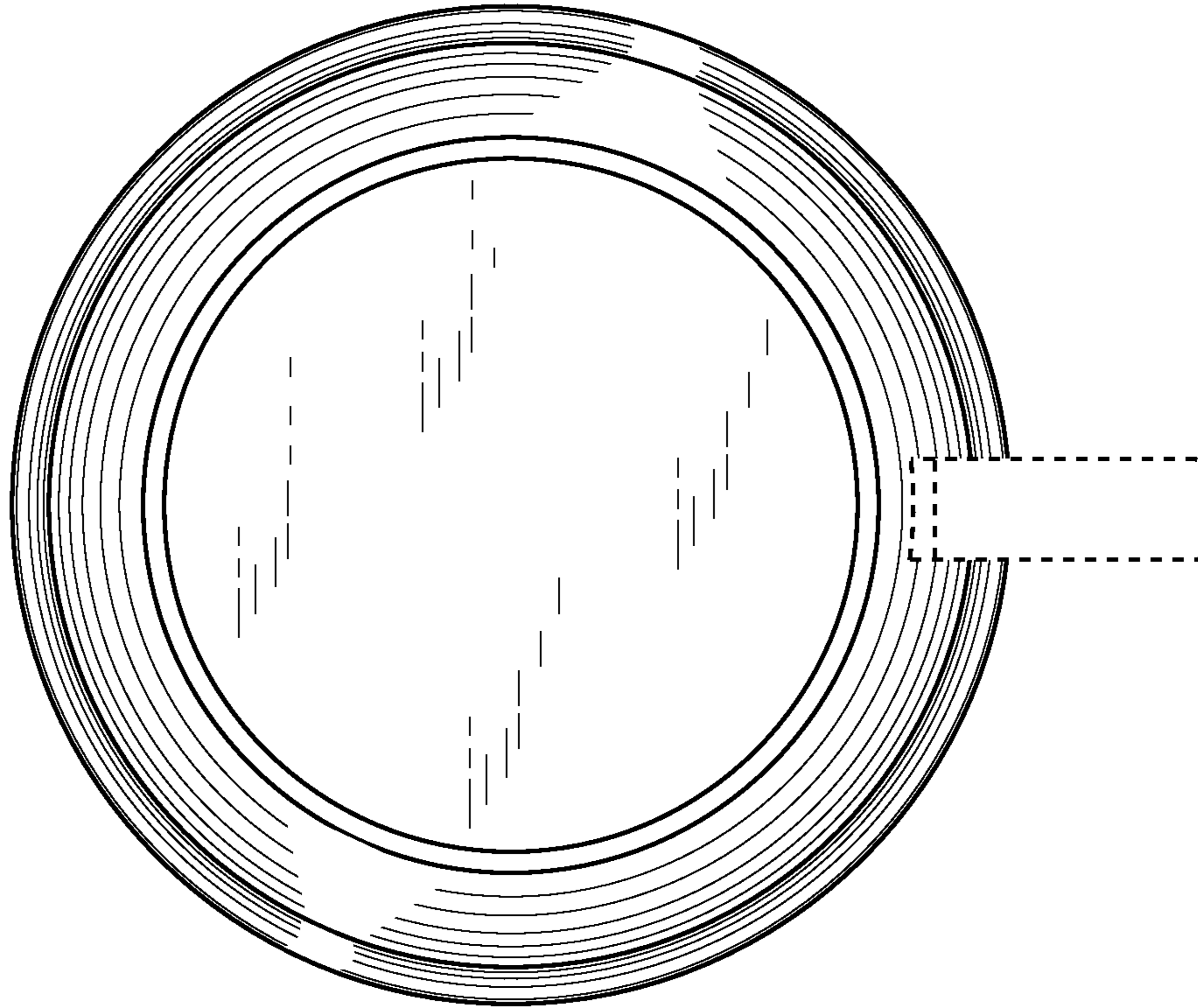


FIG. 7

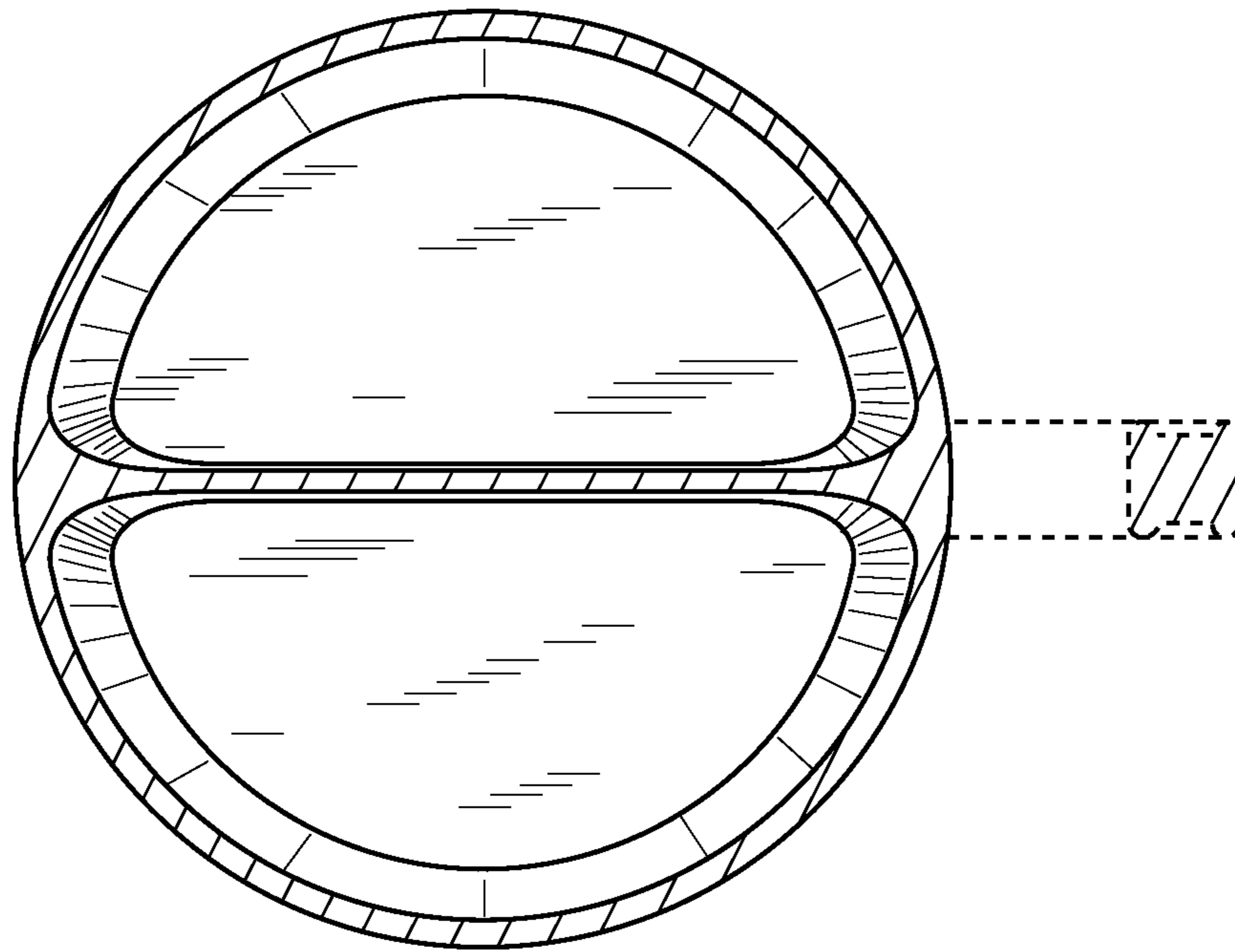


FIG. 8

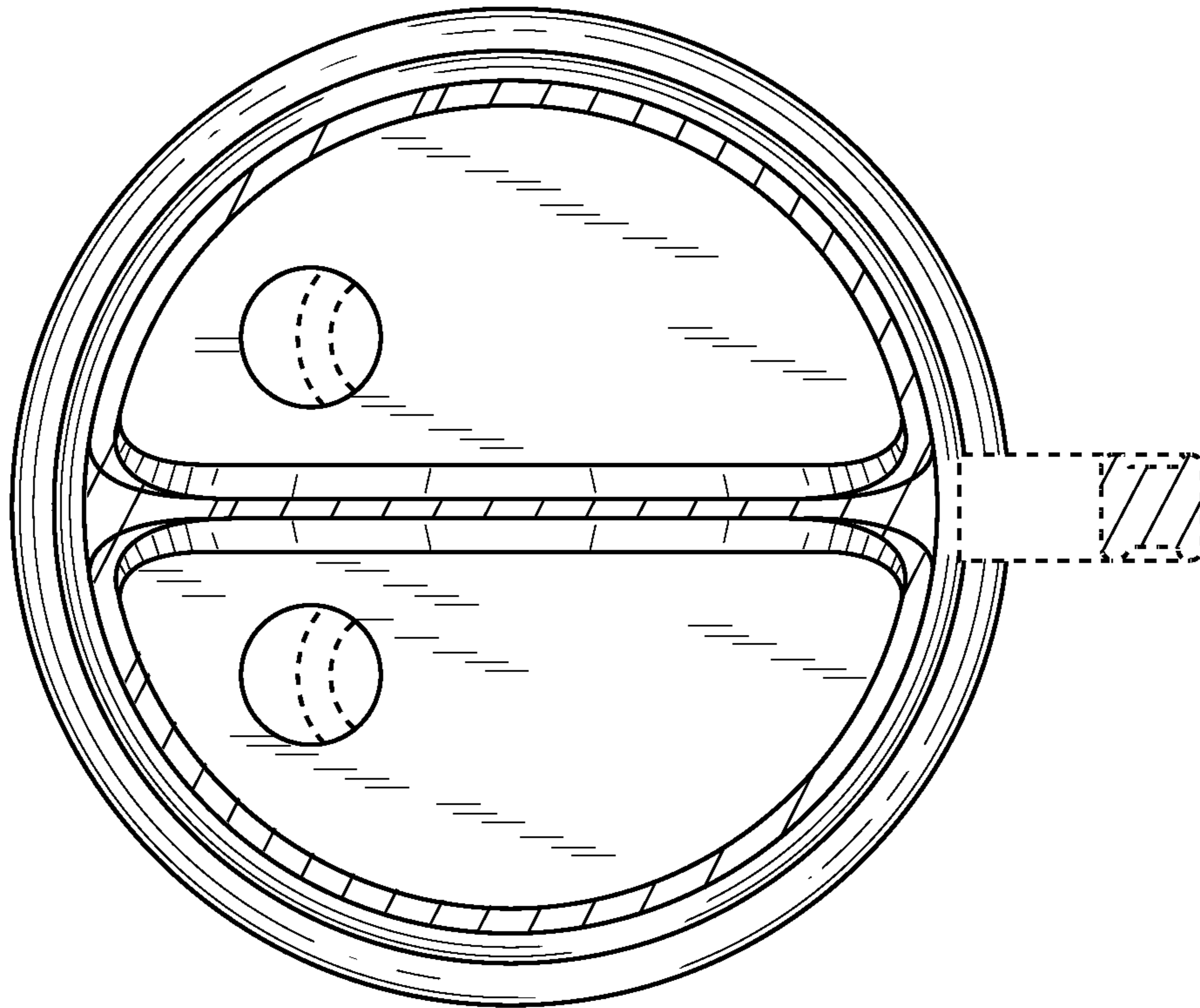


FIG. 9

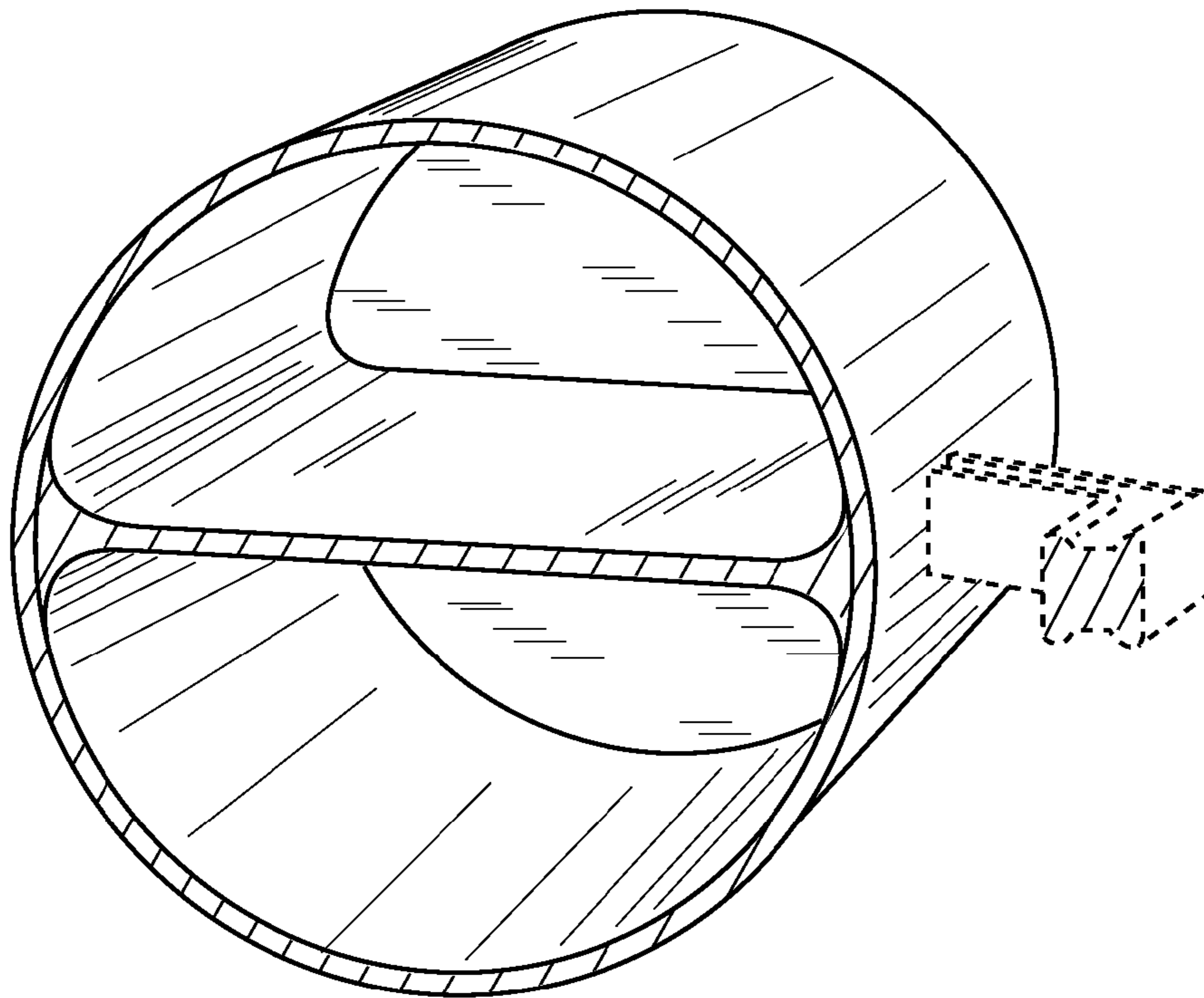


FIG. 10

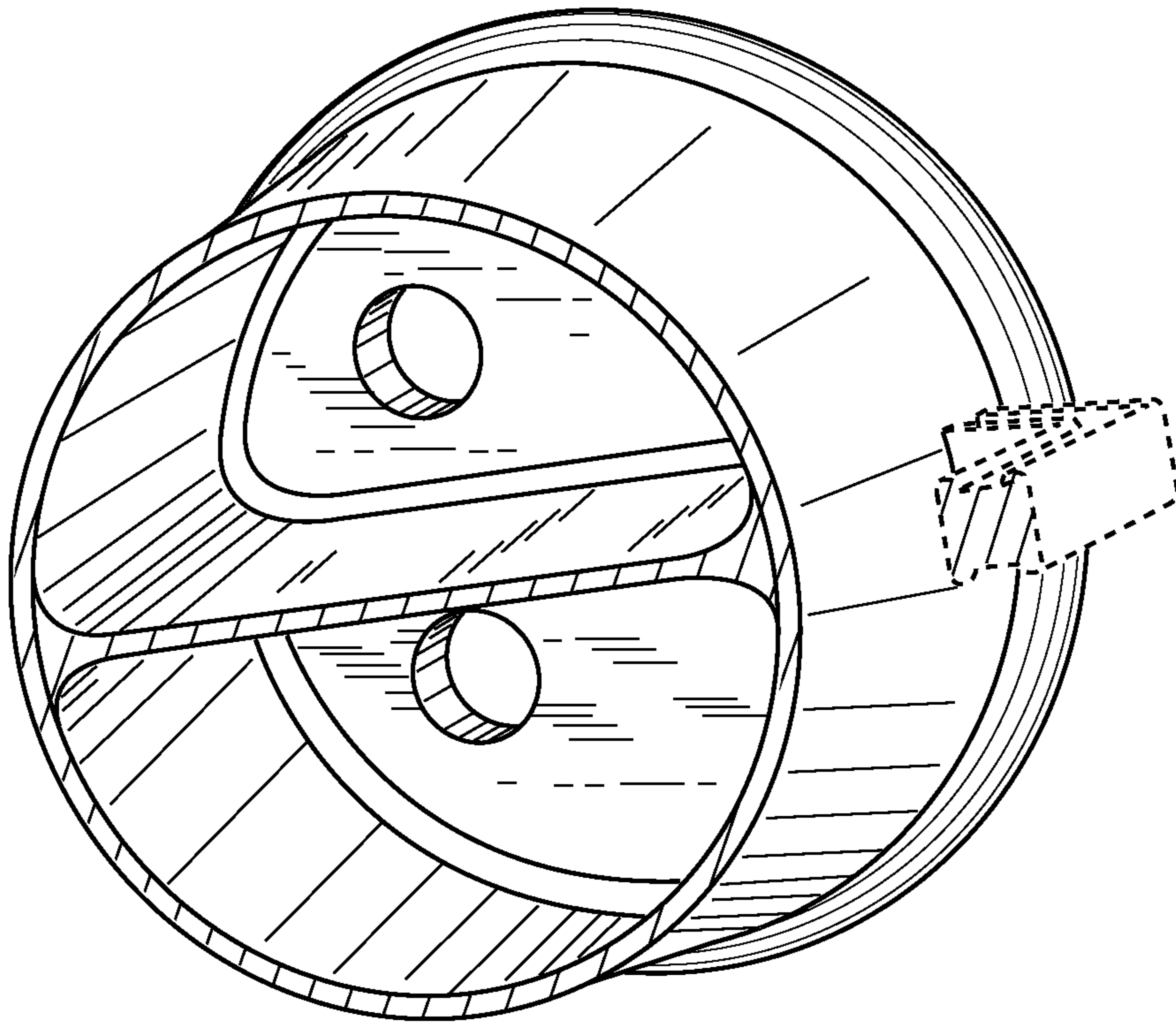


FIG. 11

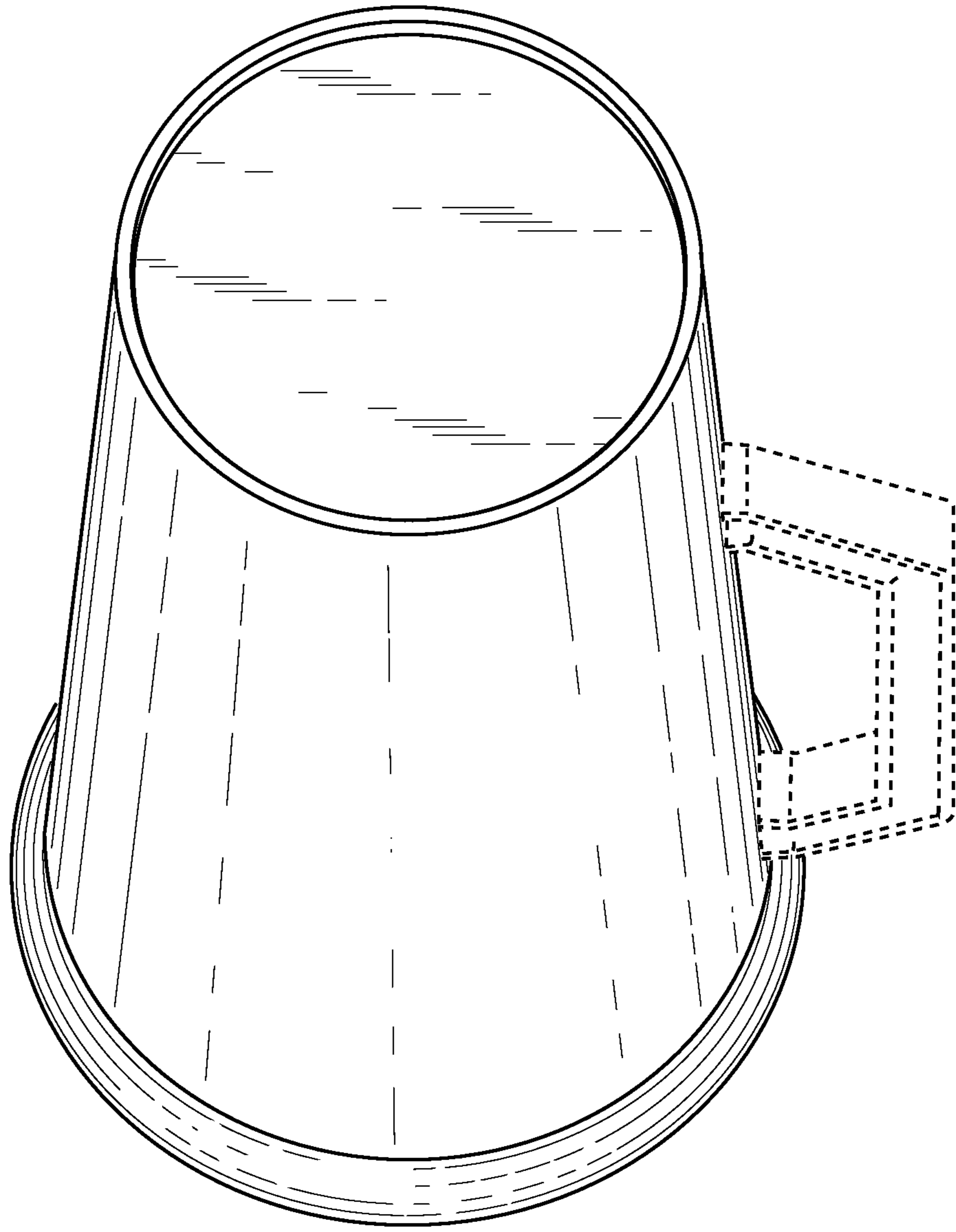


FIG. 12

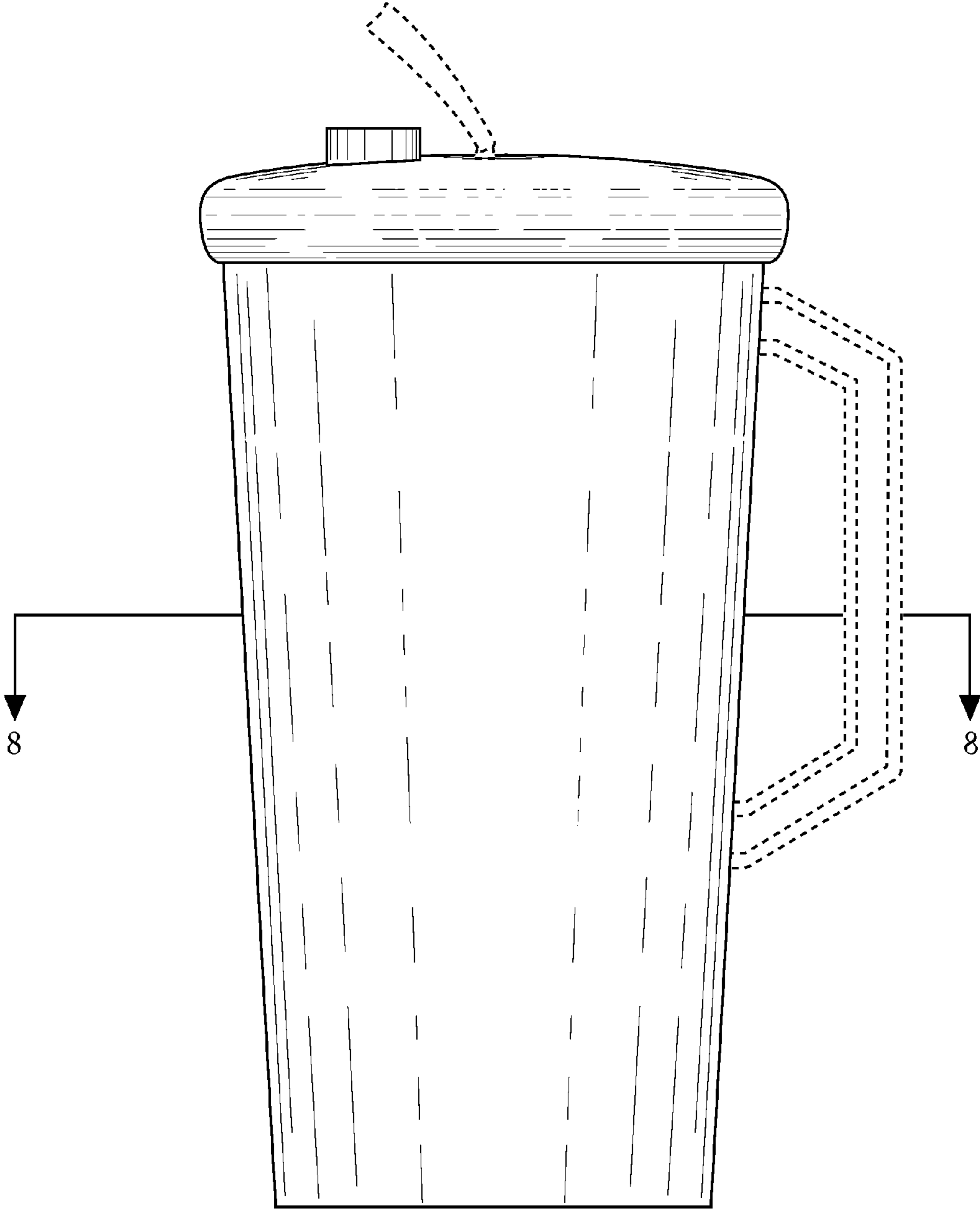


FIG. 13

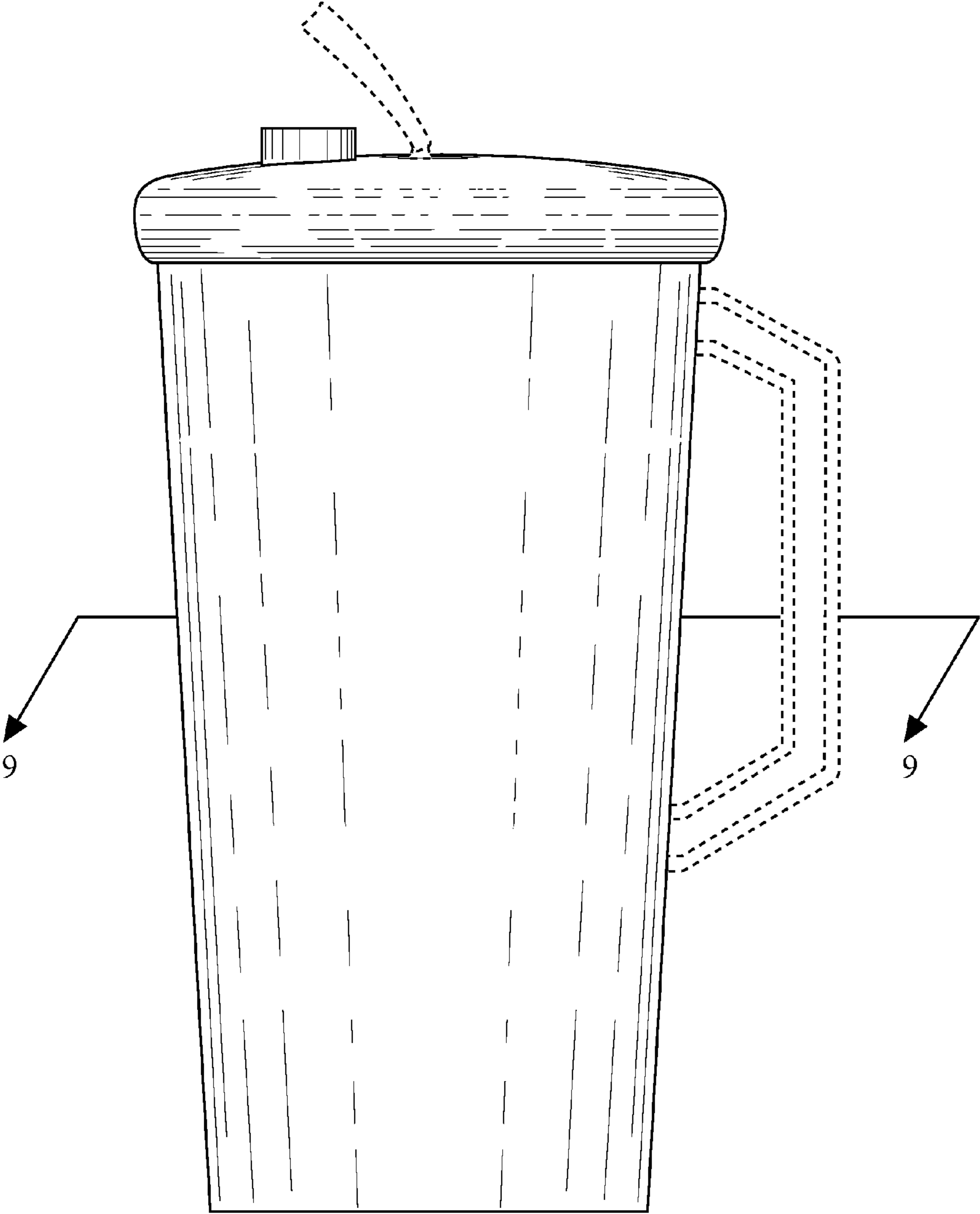


FIG. 14

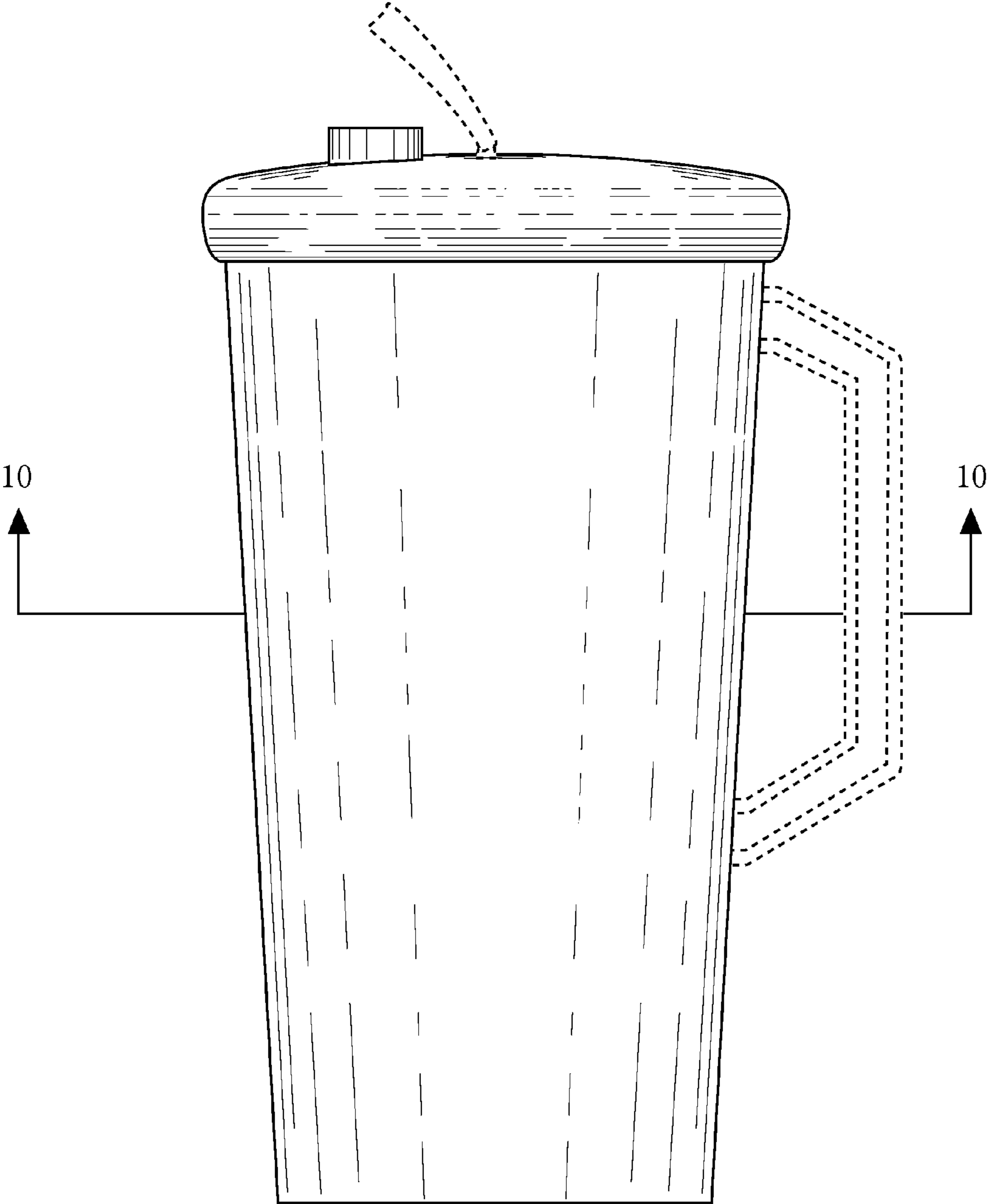


FIG. 15

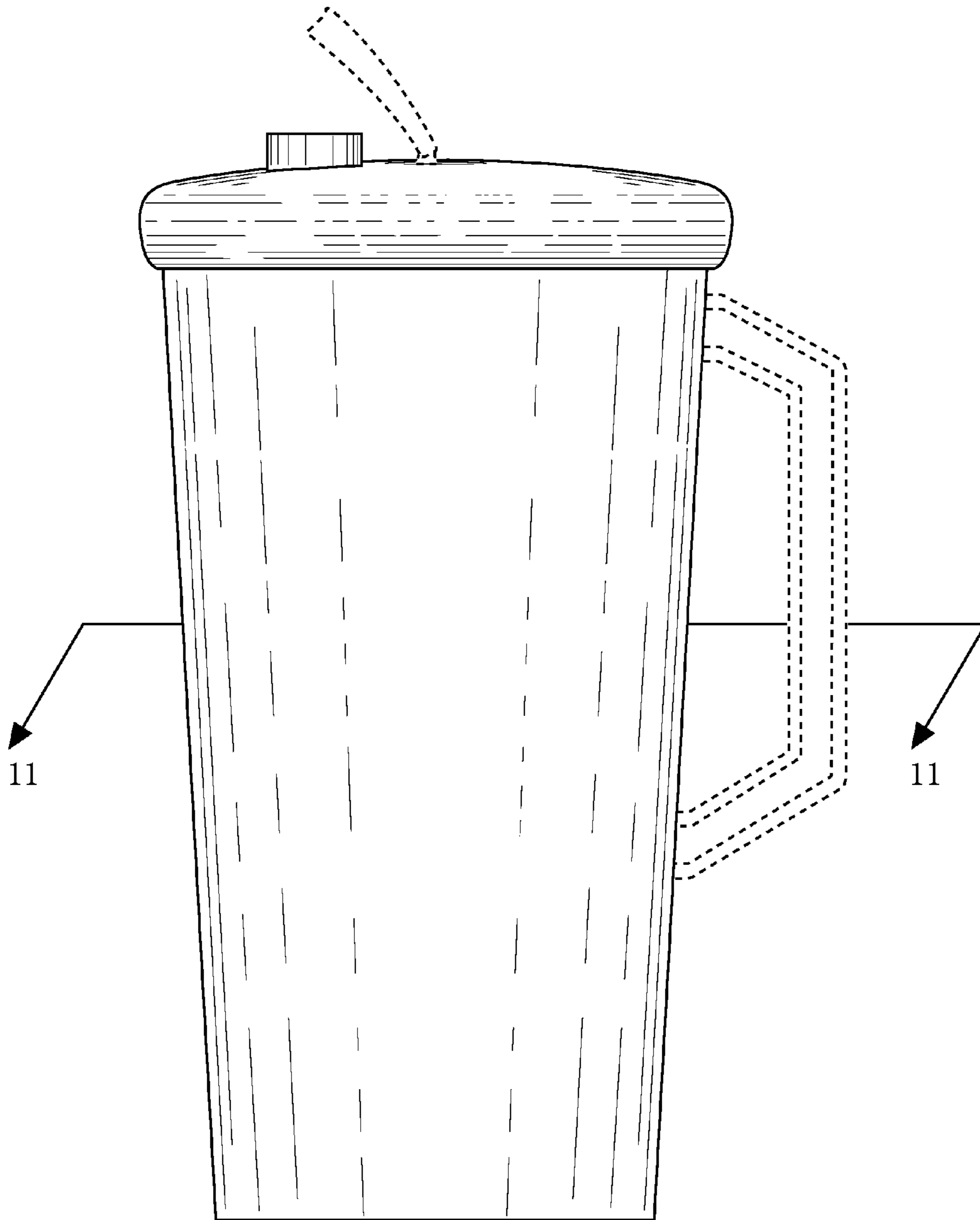


FIG. 16