

US00D736564S

(12) **United States Design Patent**
Thornton et al.

(10) **Patent No.:** **US D736,564 S**
(45) **Date of Patent:** **** Aug. 18, 2015**

(54) **FOOD PRODUCT CONTAINER**

(71) Applicants: **Andrew Thornton**, Surrey (GB); **Oliver Breit**, Hong Kong (CN)

(72) Inventors: **Andrew Thornton**, Surrey (GB); **Oliver Breit**, Hong Kong (CN)

(73) Assignee: **ZAK DESIGNS, INC.**, Spokane, WA (US)

(**) Term: **14 Years**

(21) Appl. No.: **29/477,762**

(22) Filed: **Dec. 26, 2013**

(51) **LOC (10) Cl.** **07-01**

(52) **U.S. Cl.**
USPC **D7/538; D7/547**

(58) **Field of Classification Search**
USPC D7/538, 601, 605, 607, 703, 705, 547;
D3/273, 276, 284, 287, 290, 291,
D3/232-233, 245-246, 231, 234-244,
D3/247-255; 150/100, 103-110, 112

CPC A47J 47/14; B65D 81/38; B65D 75/00;
A45C 3/04; A45C 13/1046; A45C 13/02;
A45C 7/0077; A45C 1/024; A45C 3/06;
A45C 11/20; A45C 15/00; A45C 11/00;
A45C 2003/007; A45C 2200/20; A45C 3/001

See application file for complete search history.

(56) **References Cited**

U.S. PATENT DOCUMENTS

D51,308 S *	9/1917	Sanford	D7/547
D350,024 S *	8/1994	Ryker	D3/202
D368,626 S *	4/1996	Hentz	D7/538
D406,013 S *	2/1999	Yousko et al.	D7/607
D444,038 S *	6/2001	Schneider et al.	D7/607
D515,362 S *	2/2006	Chan	D7/607
D541,529 S *	5/2007	Steinhobel	D3/276
2015/0020936 A1 *	1/2015	Donaldson et al.	150/110

* cited by examiner

Primary Examiner — Wan Laymon

Assistant Examiner — Mark Booker

(74) *Attorney, Agent, or Firm* — Paine Hamblen, LLP

(57) **CLAIM**

We claim the ornamental design for a food product container, as shown and described.

DESCRIPTION

FIG. 1 is a perspective view of a food product container showing our new design;

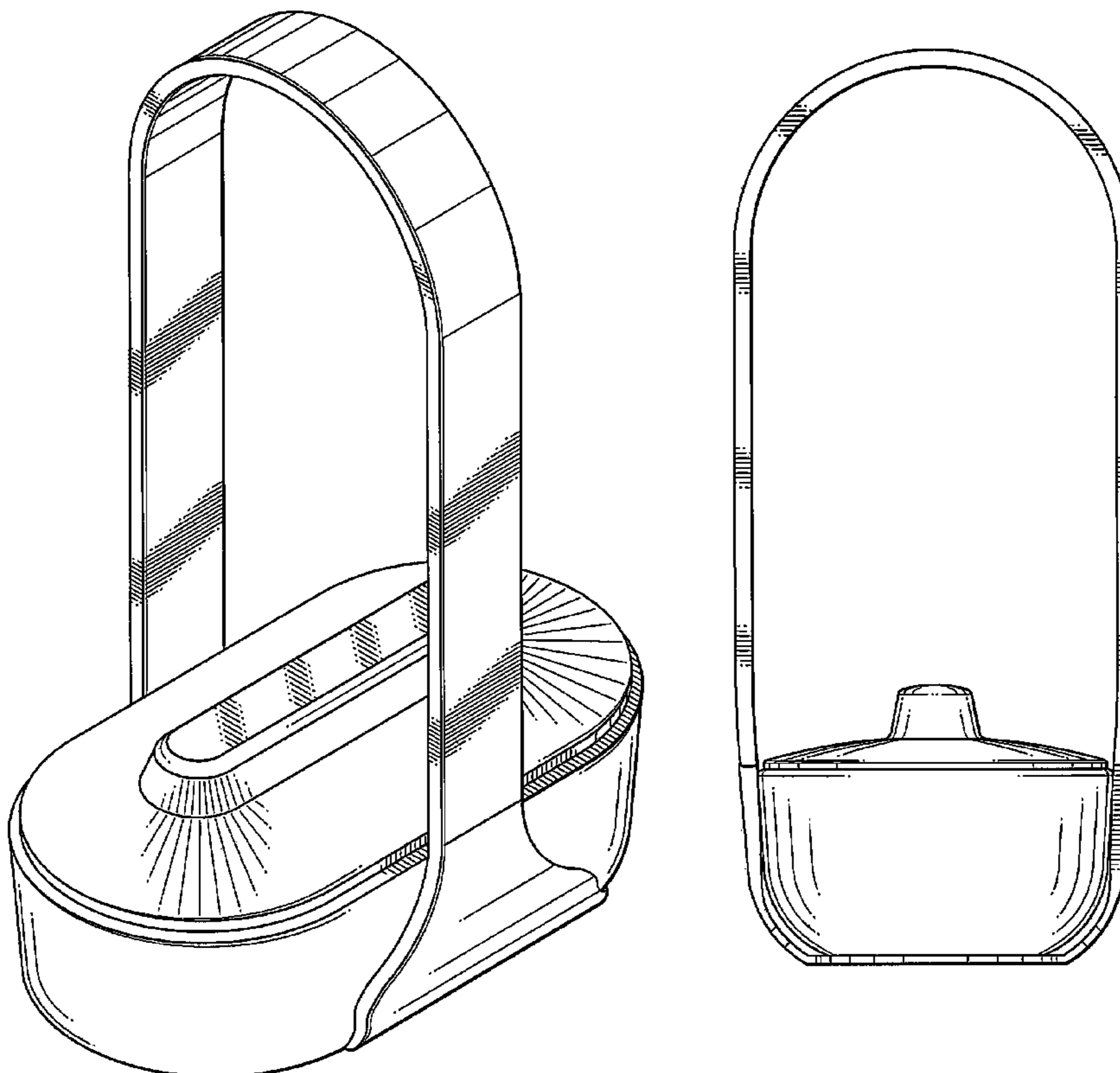
FIG. 2 is a side elevation view thereof;

FIG. 3 is an end view thereof;

FIG. 4 is a top plan view thereof; and,

FIG. 5 is a bottom plan view thereof.

1 Claim, 4 Drawing Sheets



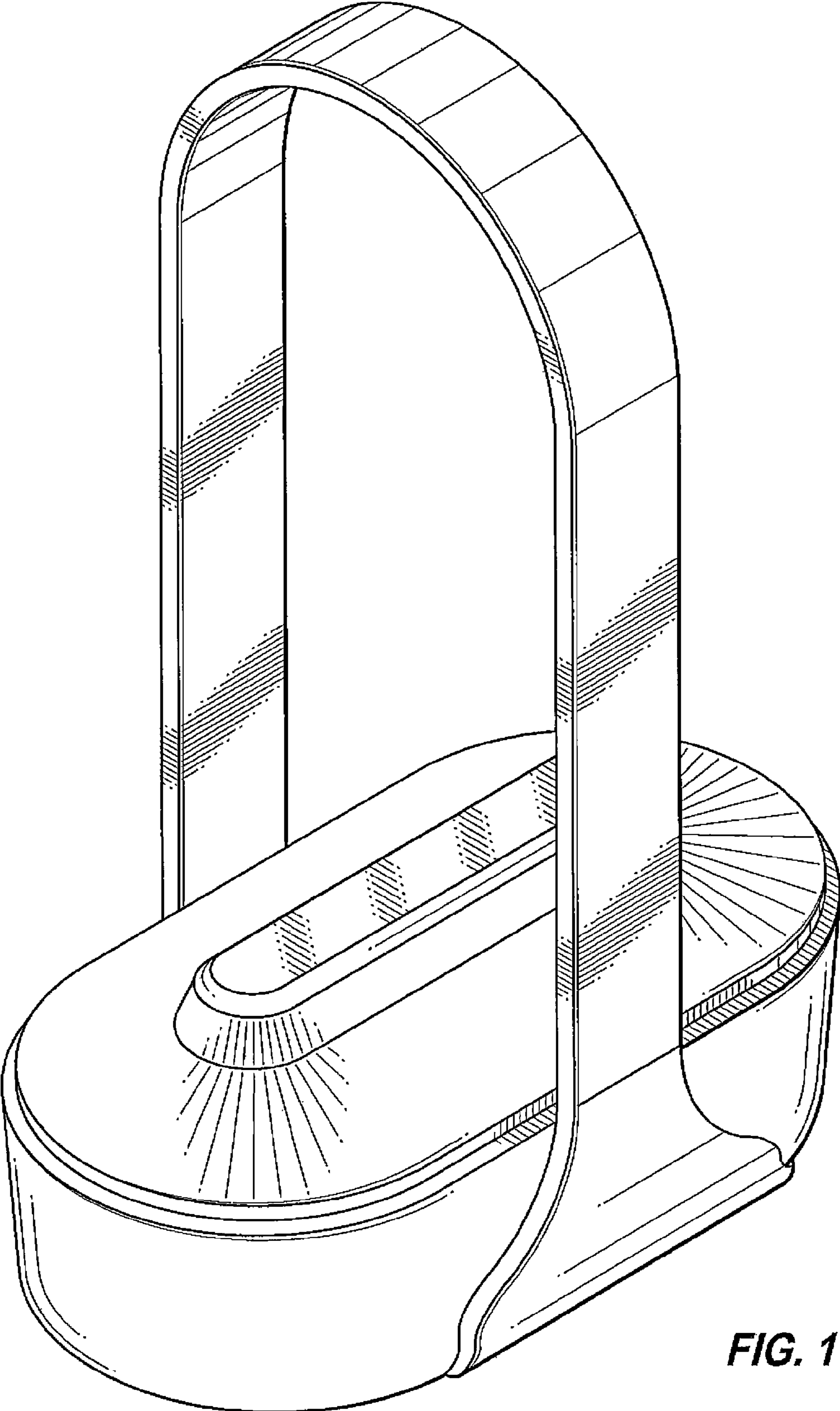


FIG. 1

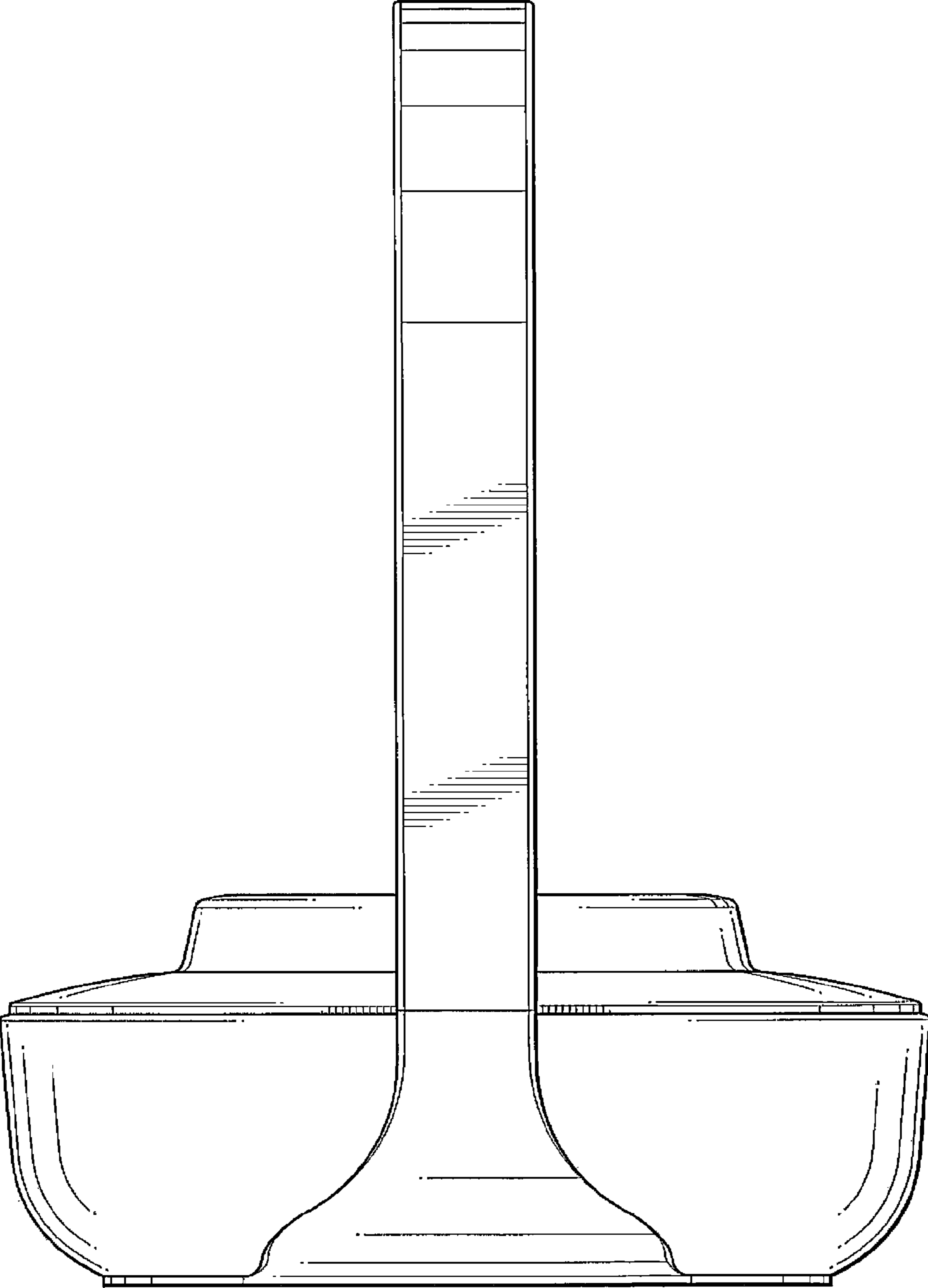


FIG. 2

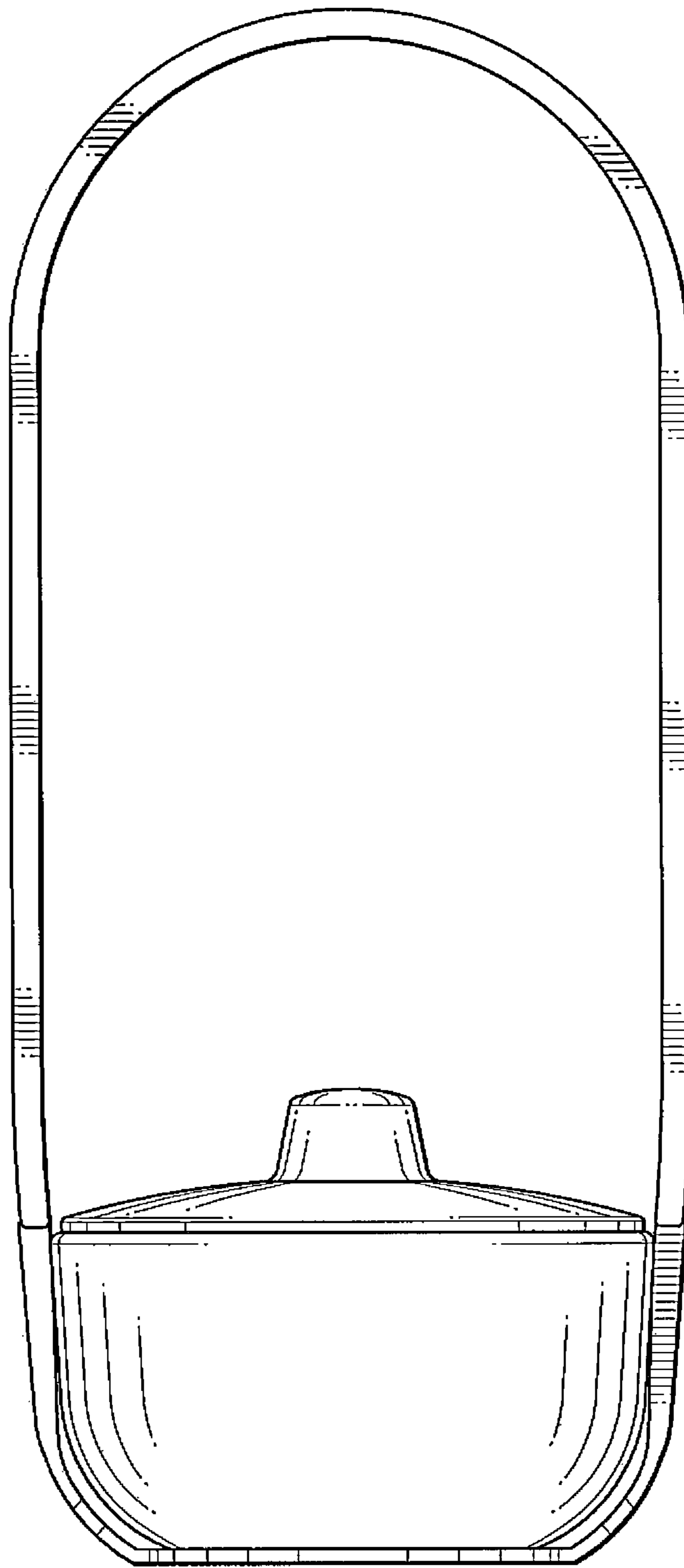


FIG. 3

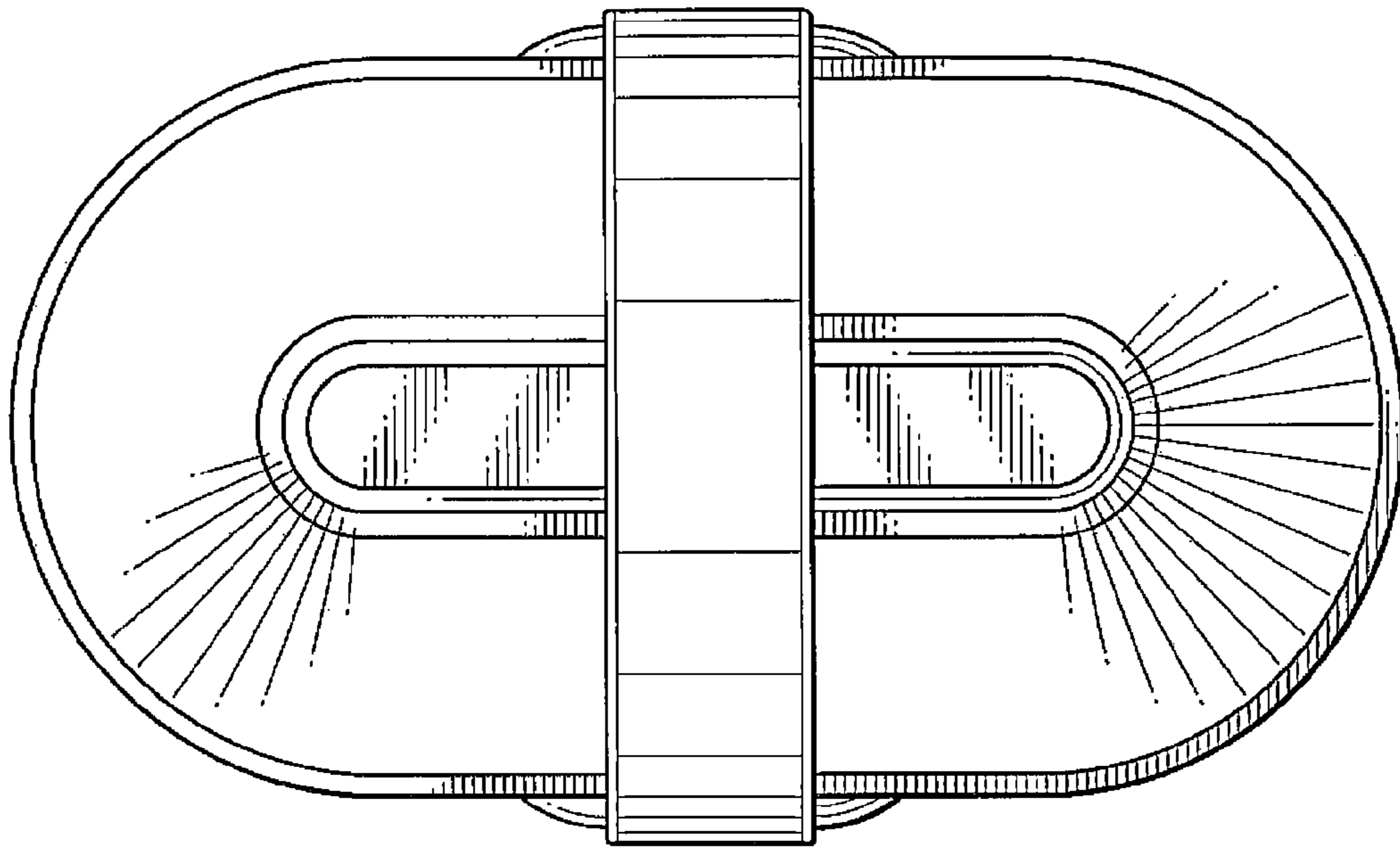


FIG. 4

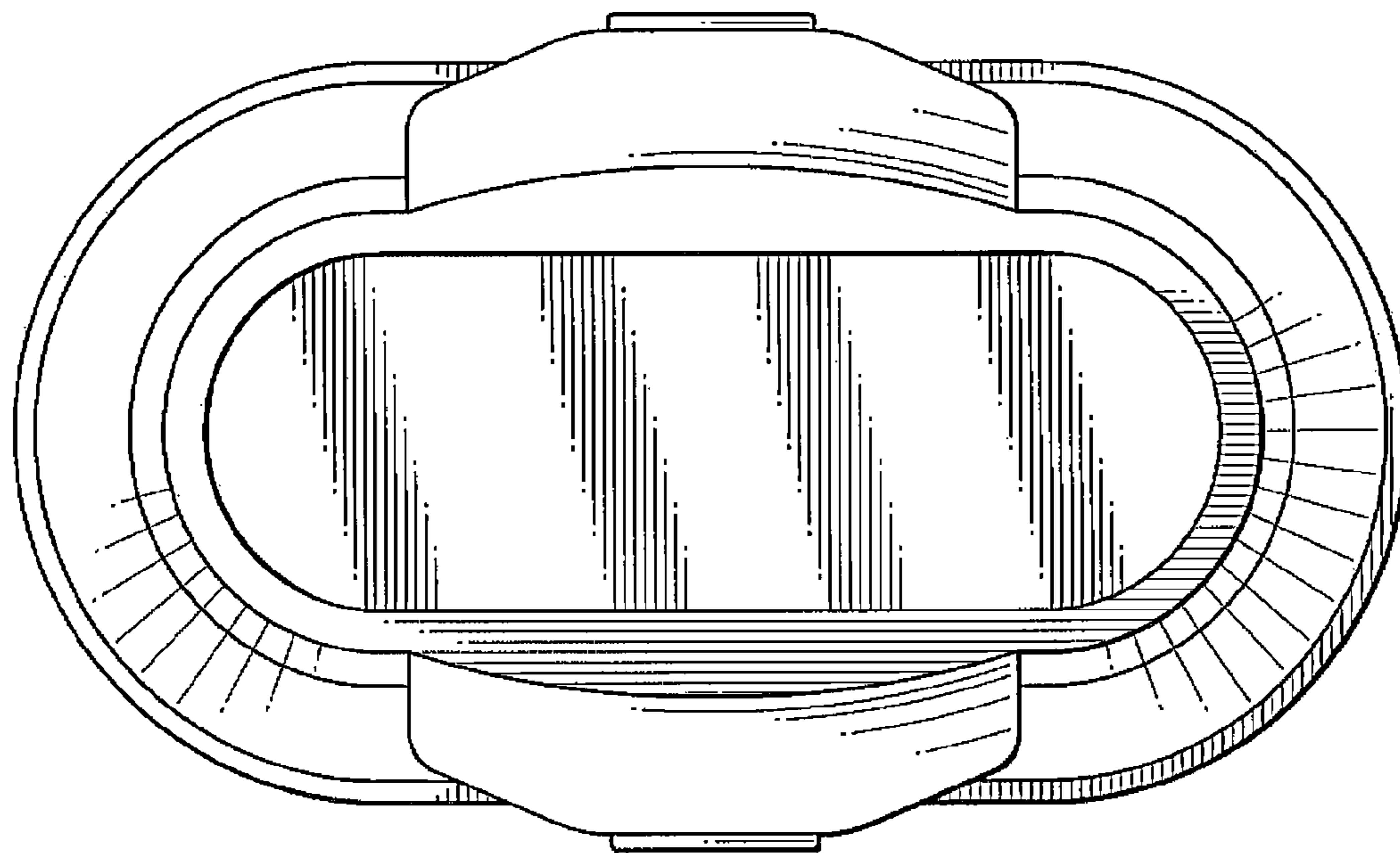


FIG. 5