



US00D736558S

(12) **United States Design Patent**
Likar

(10) **Patent No.:** **US D736,558 S**

(45) **Date of Patent:** **** Aug. 18, 2015**

(54) **BEVERAGE CHILLER**

(71) Applicant: **STEKLARNA HRASTNIK d.o.o.**,
Hrastnik (SI)

(72) Inventor: **Grega Likar**, Celje (SI)

(73) Assignee: **STEKLARNA HRASTNIK d.o.o.**,
Hrastnik (SI)

(**) Term: **14 Years**

(21) Appl. No.: **29/477,775**

(22) Filed: **Dec. 26, 2013**

(30) **Foreign Application Priority Data**

Jun. 27, 2013 (WO) 746909701

(51) **LOC (10) Cl.** **31-00**

(52) **U.S. Cl.**
USPC **D7/368**

(58) **Field of Classification Search**

USPC D7/368, 669, 603, 605, 300; 62/457.1,
62/457.3, 457.4, 457.8, 457.9, 66, 48.1,
62/426, 393, 3.62, 3.64; D15/89
CPC . A23G 9/045; F25D 2331/808; F25D 31/002;
F25D 31/007; F25D 31/008; B65D 81/18
See application file for complete search history.

(56) **References Cited**

U.S. PATENT DOCUMENTS

3,383,879	A *	5/1968	Tice	62/293
3,462,967	A *	8/1969	Prasnikar	62/264
5,845,499	A *	12/1998	Montesanto	62/48.1
6,397,624	B1 *	6/2002	Horwell	62/457.8
2003/0145620	A1 *	8/2003	Newman	62/373
2005/0126209	A1 *	6/2005	Shimazaki	62/457.4
2006/0053805	A1 *	3/2006	Flinner et al.	62/3.2
2007/0017246	A1 *	1/2007	Hoare et al.	62/457.8
2009/0241559	A1 *	10/2009	Dale	62/66
2013/0019630	A1 *	1/2013	Busby	62/426

* cited by examiner

Primary Examiner — Terry Wallace

(74) *Attorney, Agent, or Firm* — Studebaker & Brackett PC

(57) **CLAIM**

The ornamental design for a beverage chiller, as shown and described.

DESCRIPTION

FIG. 1 is a front view of a beverage chiller showing my new design, the glass supported by the beverage chiller shown in dotted lines is for intended use only and forms no part of the claimed design;

FIG. 2 is a front and top perspective view thereof;

FIG. 3 is a front view thereof;

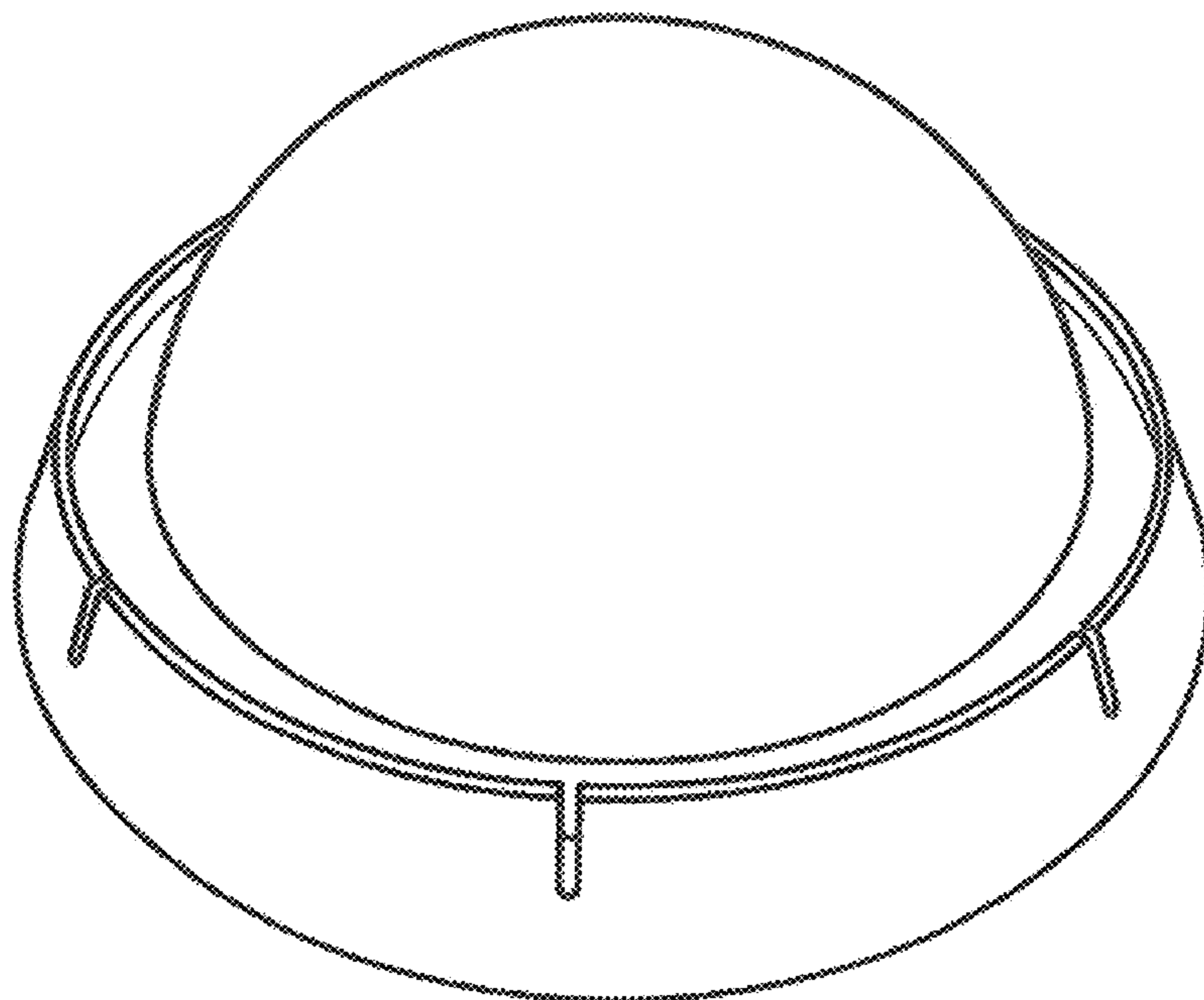
FIG. 4 is a side view thereof, the opposite side being a mirror image;

FIG. 5 is a rear view thereof;

FIG. 6 is a top view thereof; and,

FIG. 7 is a bottom view thereof.

1 Claim, 7 Drawing Sheets



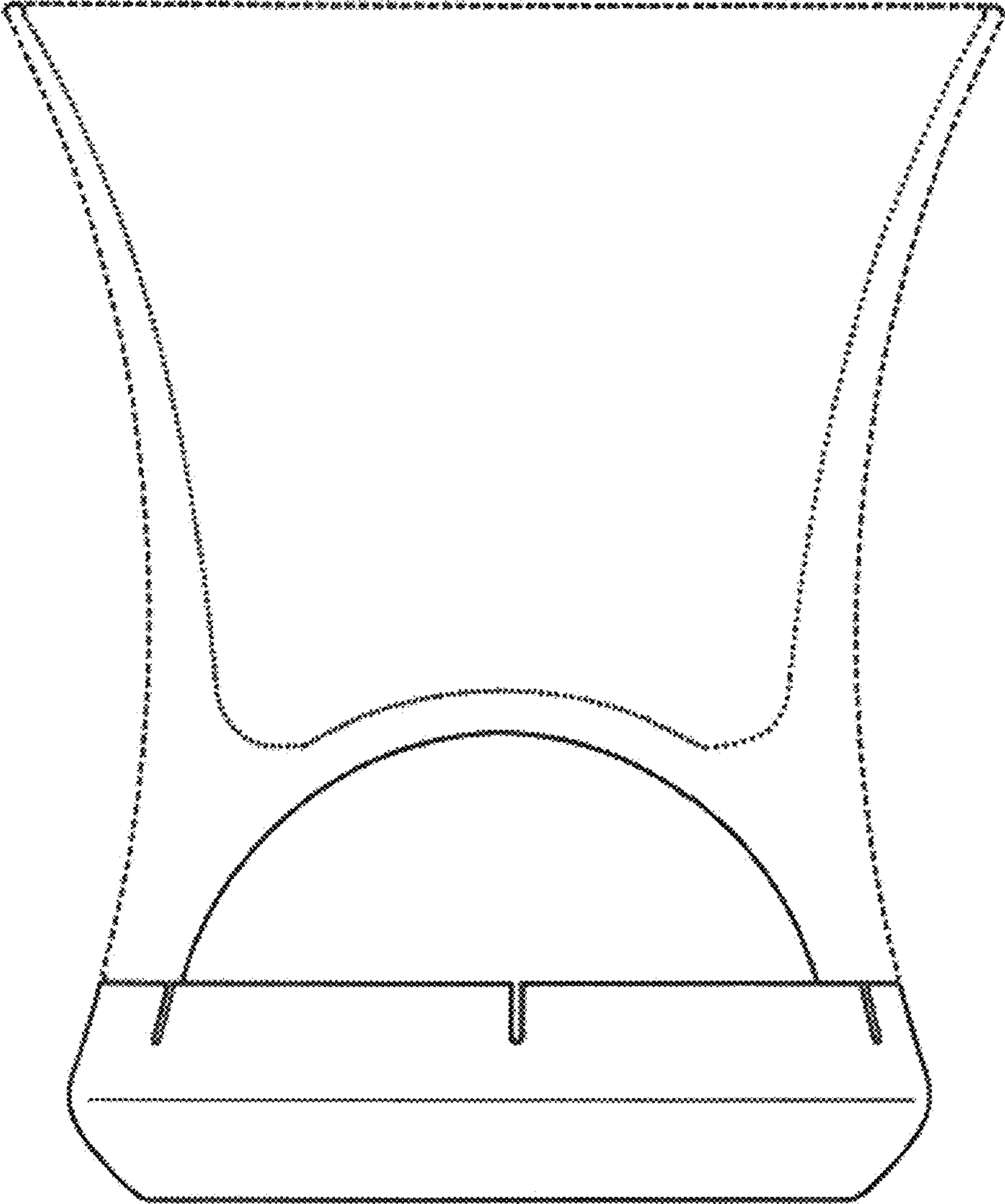


FIG. 1

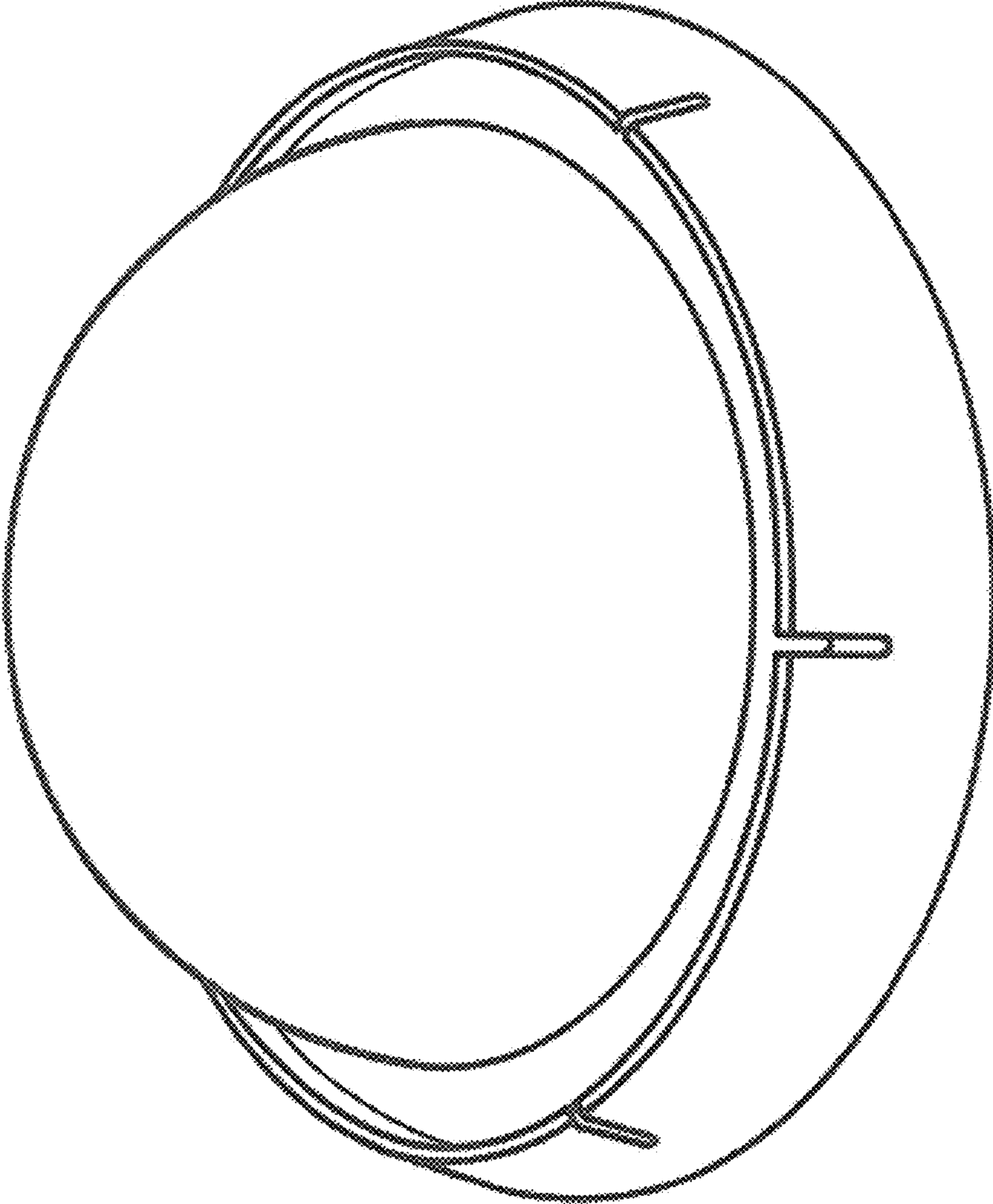


FIG. 2

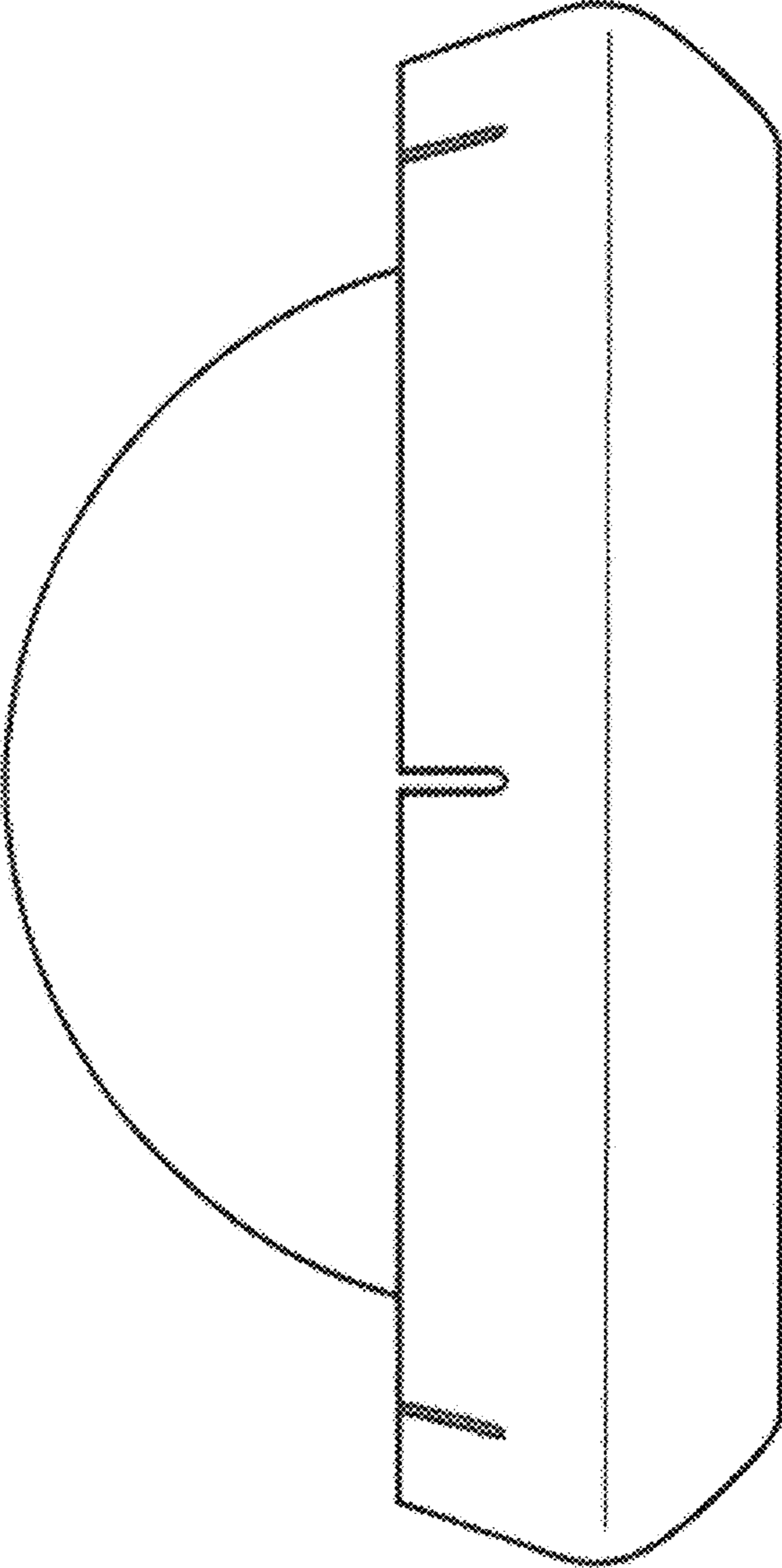


FIG. 3

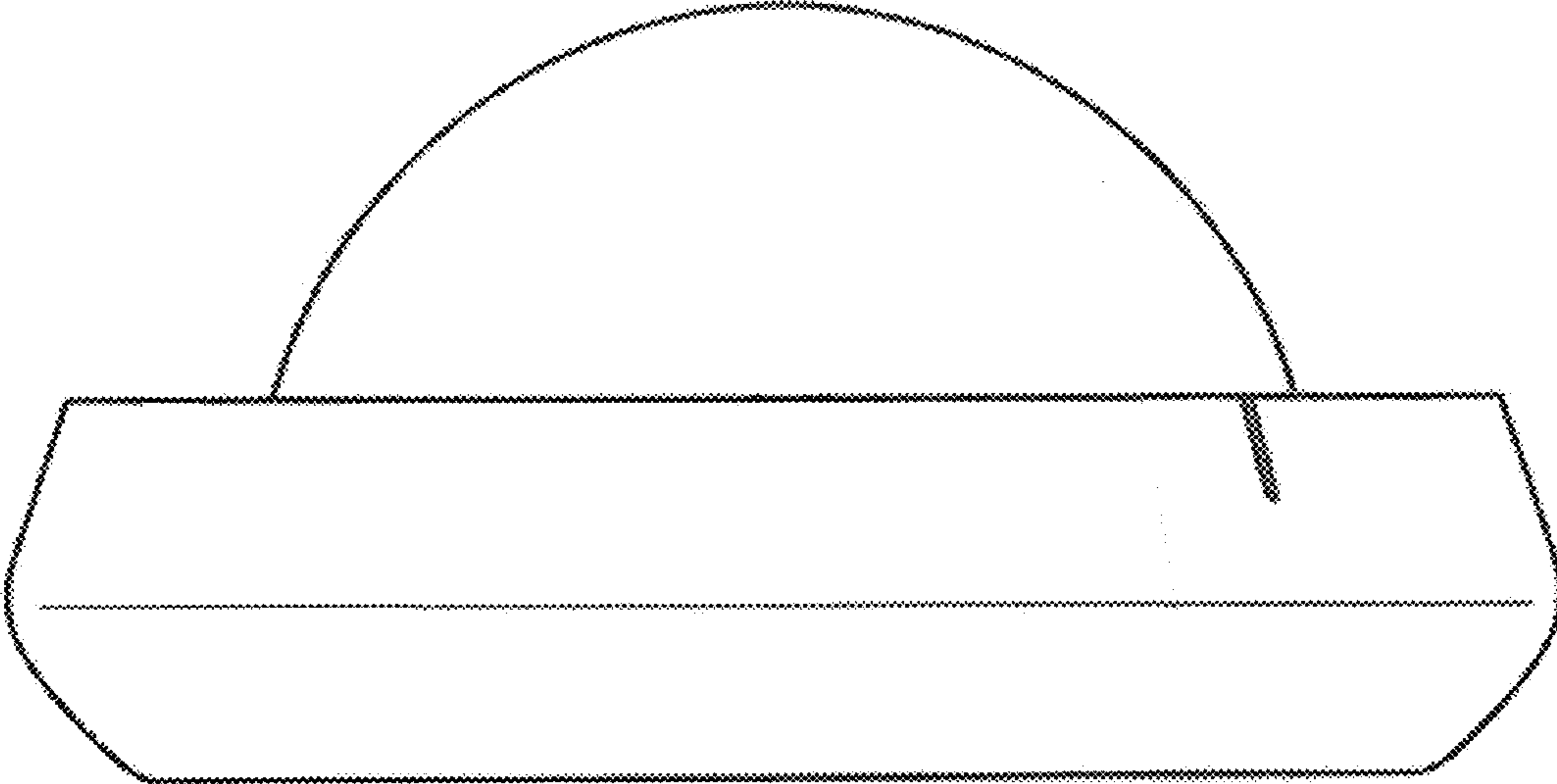


FIG. 4

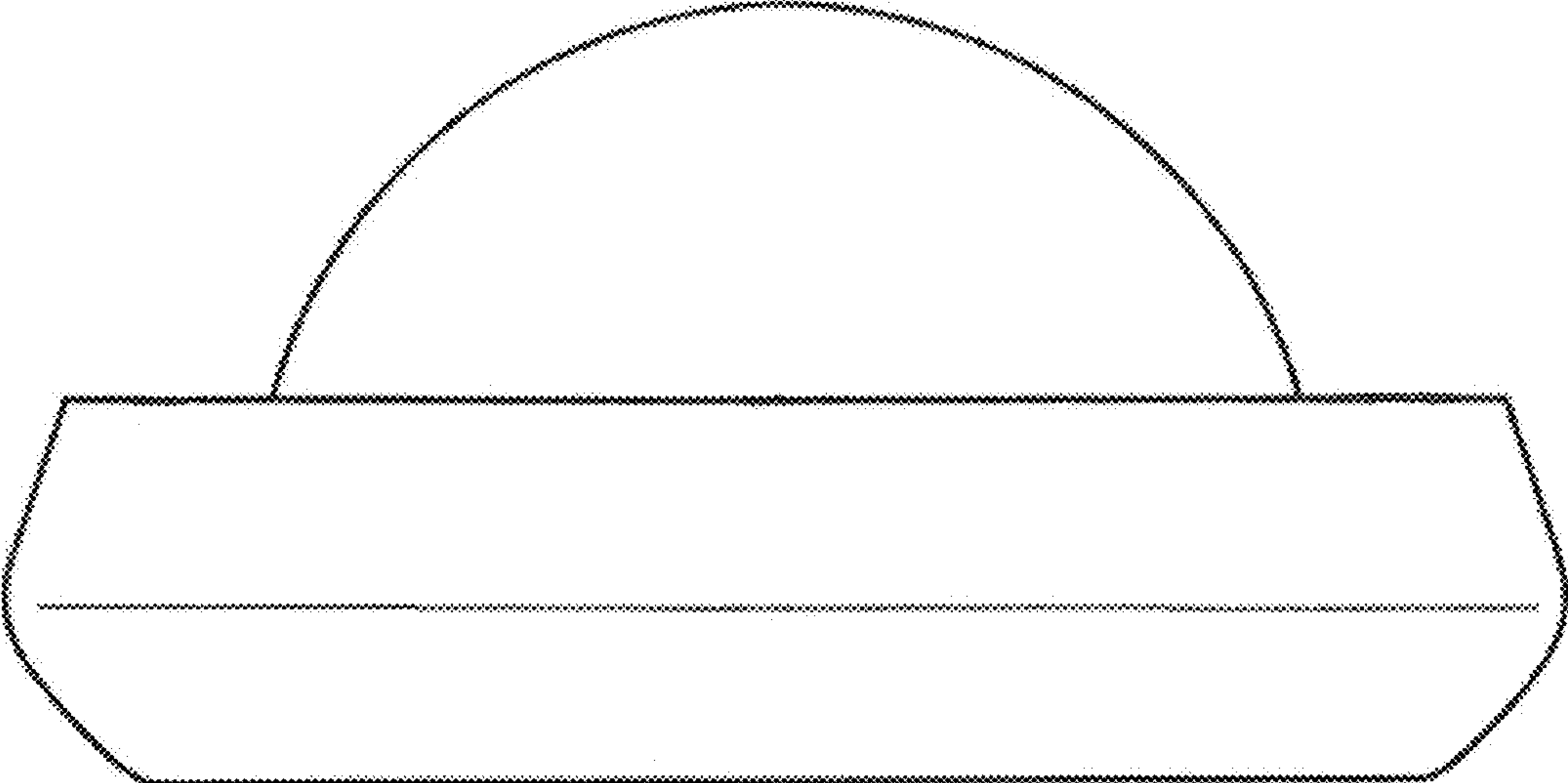


FIG. 5

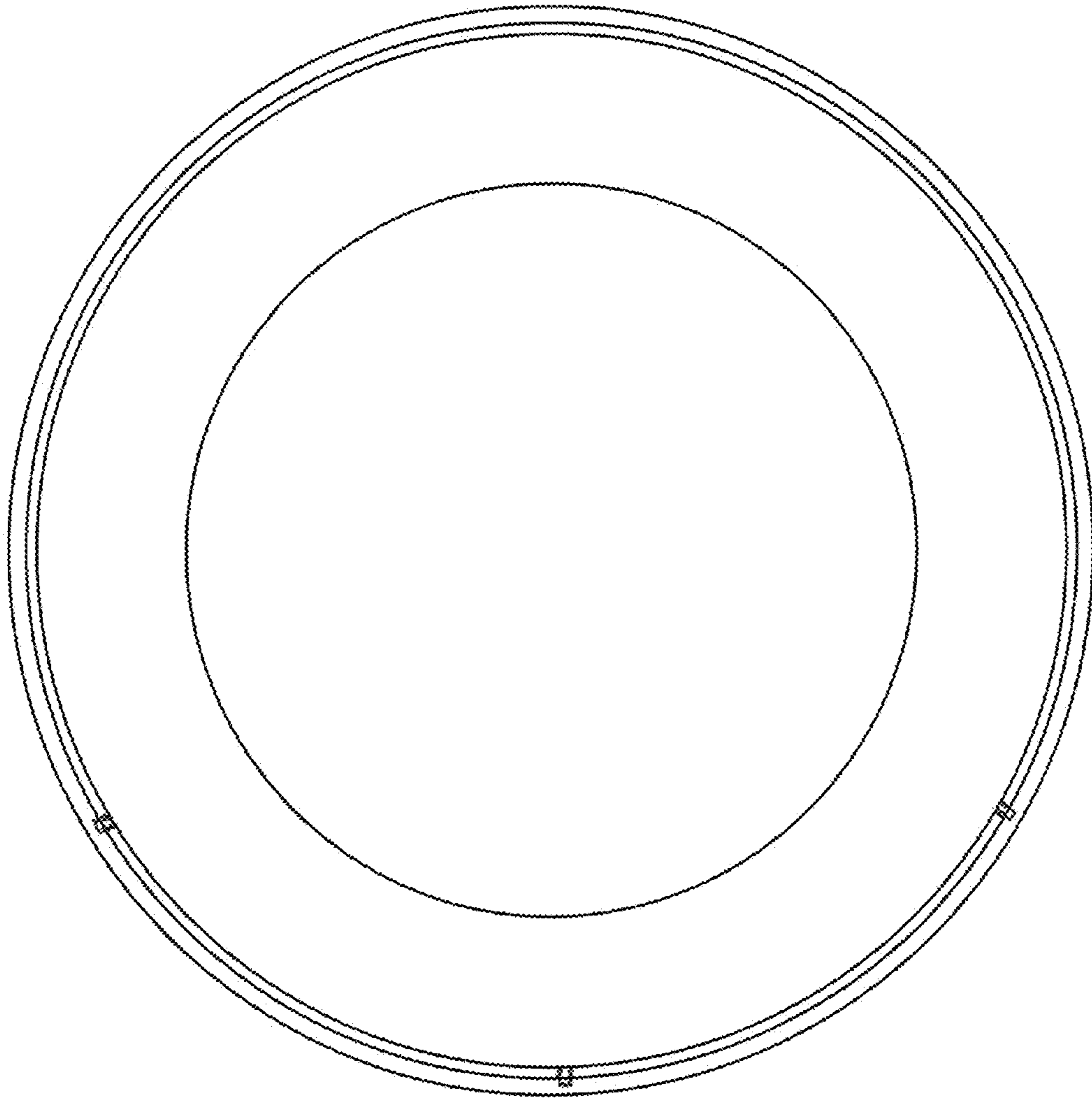


FIG. 6

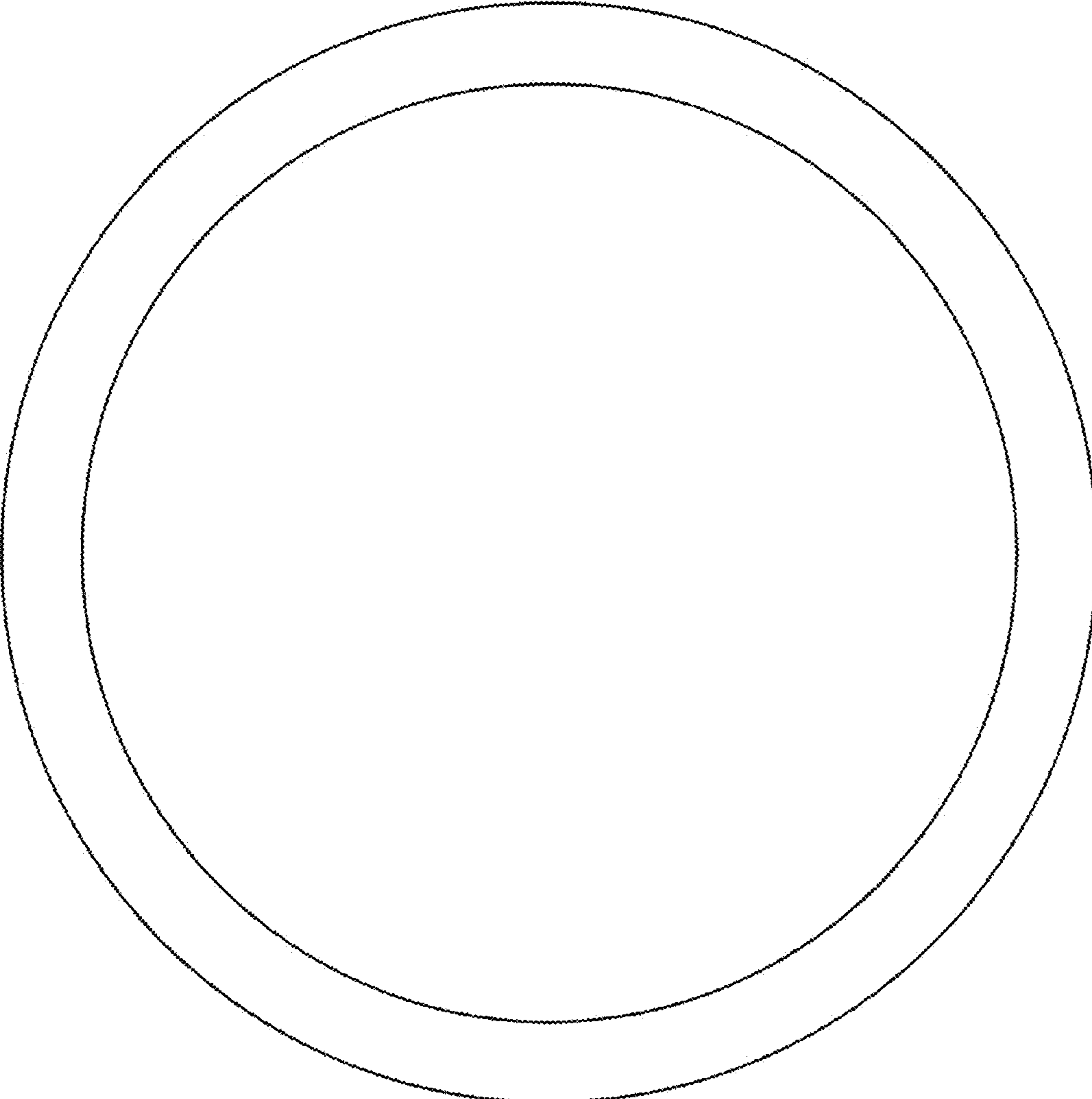


FIG. 7