



US00D736556S

(12) **United States Design Patent**
Read

(10) **Patent No.:** **US D736,556 S**
(45) **Date of Patent:** **** Aug. 18, 2015**

- (54) **PASTRY BAG COUPLING ARRANGEMENT WITH NOZZLE TIP**
- (71) Applicant: **Cappel Norrow Limited**, Central Milton Keynes (GB)
- (72) Inventor: **Hugh Read**, Milton Keynes (GB)
- (73) Assignee: **CAPPEL NORROW LIMITED** (GB)
- (**) Term: **14 Years**
- (21) Appl. No.: **29/449,819**
- (22) Filed: **Mar. 15, 2013**
- (51) **LOC (10) Cl.** **07-01**
- (52) **U.S. Cl.**
USPC **D7/368**
- (58) **Field of Classification Search**
USPC D7/368; 401/261; 425/190, 183, 191;
426/496, 556; 222/107, 94, 566, 568;
99/344

See application file for complete search history.

(56) **References Cited**

U.S. PATENT DOCUMENTS

5,026,194 A *	6/1991	Lewis	401/261
2008/0089967 A1 *	4/2008	Bourque	425/183
2013/0306674 A1 *	11/2013	Read	222/94
2015/0028056 A1 *	1/2015	Massis	222/107

* cited by examiner

Primary Examiner — Wan Laymon

Assistant Examiner — Mark Booker

(74) *Attorney, Agent, or Firm* — Anderson Gorecki & Rouille LLP

(57) **CLAIM**

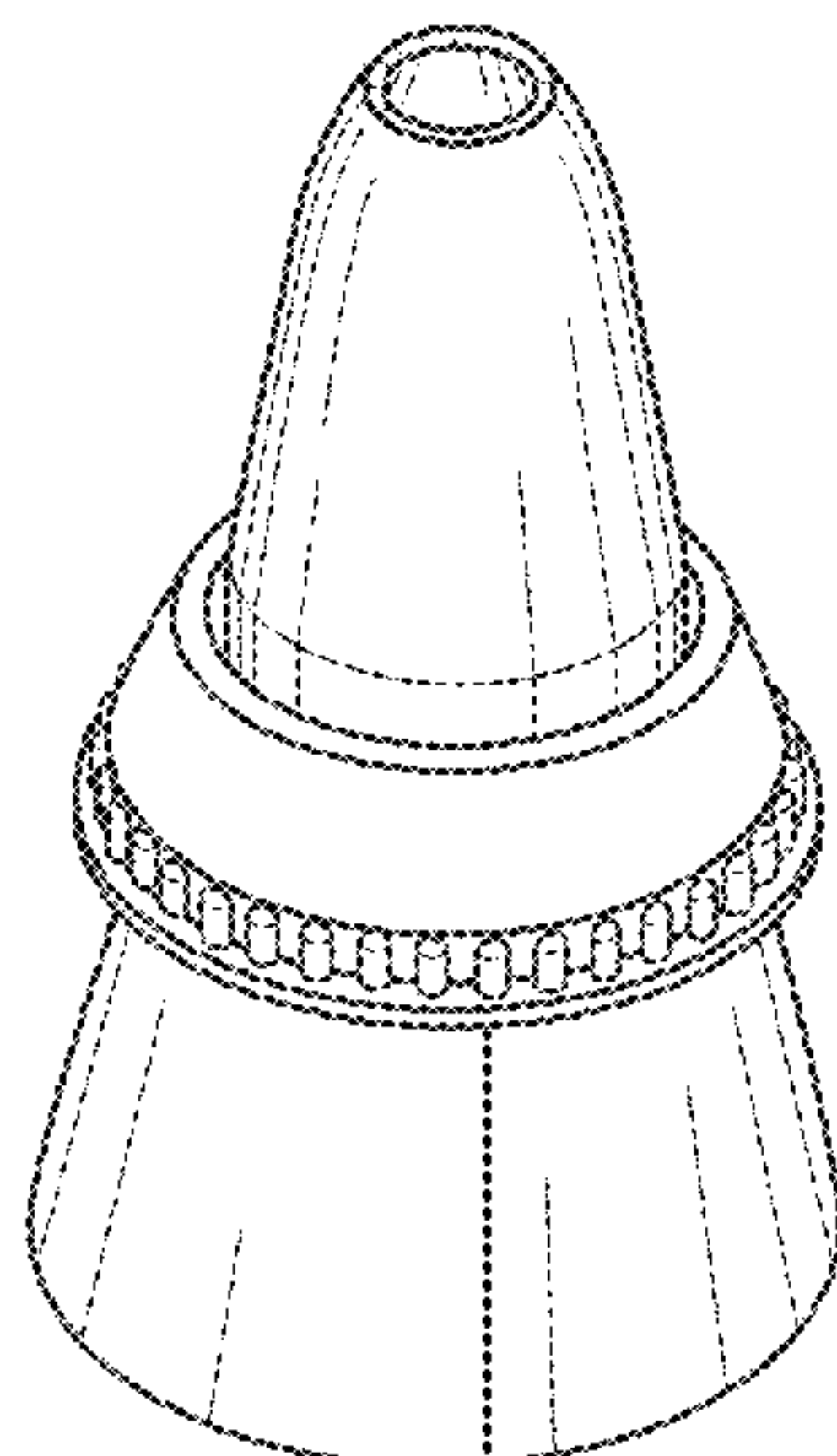
The ornamental design for a pastry bag coupling arrangement with nozzle tip, as shown and described.

DESCRIPTION

FIG. 1 is a perspective view of a pastry bag coupling arrangement with nozzle tip showing my new design;
 FIG. 2 is a side view thereof (other sides correspond);
 FIG. 3 is a plan view of distal end thereof;
 FIG. 4 is a plan view of proximal end thereof;

FIG. 5 is a perspective view of a first coupler element;
 FIG. 6 is a view of a first coupler element from a first side;
 FIG. 7 is a view of a first coupler element from a second side;
 FIG. 8 is a view of a first coupler element from a third side;
 FIG. 9 is a view of a first coupler element from a fourth side;
 FIG. 10 is a plan view of distal end of a first coupler element;
 FIG. 11 is a plan view of proximal end of a first coupler element;
 FIG. 12 is a perspective view of a second coupler element;
 FIG. 13 is a view of a second coupler element from a first side;
 FIG. 14 is a view of a second coupler element from a second side;
 FIG. 15 is a view of a second coupler element from a third side;
 FIG. 16 is a plan view of distal end of a second coupler element;
 FIG. 17 is a plan view of proximal end of a second coupler element;
 FIG. 18 is a perspective view of a first nozzle;
 FIG. 19 is a side view of a first nozzle (other sides correspond);
 FIG. 20 is a plan view of distal end of a first nozzle;
 FIG. 21 is a plan view of proximal end of a first nozzle;
 FIG. 22 is a perspective view of a second nozzle;
 FIG. 23 is a side view of a second nozzle (other sides correspond);
 FIG. 24 is a plan view of distal end of a second nozzle;
 FIG. 25 is a plan view of proximal end of a second nozzle;
 FIG. 26 is a perspective view of a third nozzle;
 FIG. 27 is a side view of a third nozzle (other sides correspond);
 FIG. 28 is a plan view of distal end of a third nozzle;
 FIG. 29 is a plan view of proximal end of a third nozzle;
 FIG. 30 is a perspective view of a fourth nozzle;
 FIG. 31 is a side view of a fourth nozzle (other sides correspond);
 FIG. 32 is a plan view of distal end of a fourth nozzle;
 FIG. 33 is a plan view of proximal end of a fourth nozzle;
 FIG. 34 is a perspective view of a fifth nozzle;
 FIG. 35 is a first side view of a fifth nozzle;
 FIG. 36 is a second side view of a fifth nozzle;
 FIG. 37 is a third view of a fifth nozzle;
 FIG. 38 is a fourth side view of a fifth nozzle;
 FIG. 39 is a plan view of distal end of a fifth nozzle;
 FIG. 40 is a plan view of proximal end of a fifth nozzle;
 FIG. 41 is a perspective view of a sixth nozzle;
 FIG. 42 is a side view of a sixth nozzle (other sides correspond);
 FIG. 43 is a plan view of distal end of a sixth nozzle; and,
 FIG. 44 is a plan view of proximal end of a sixth nozzle.

1 Claim, 5 Drawing Sheets



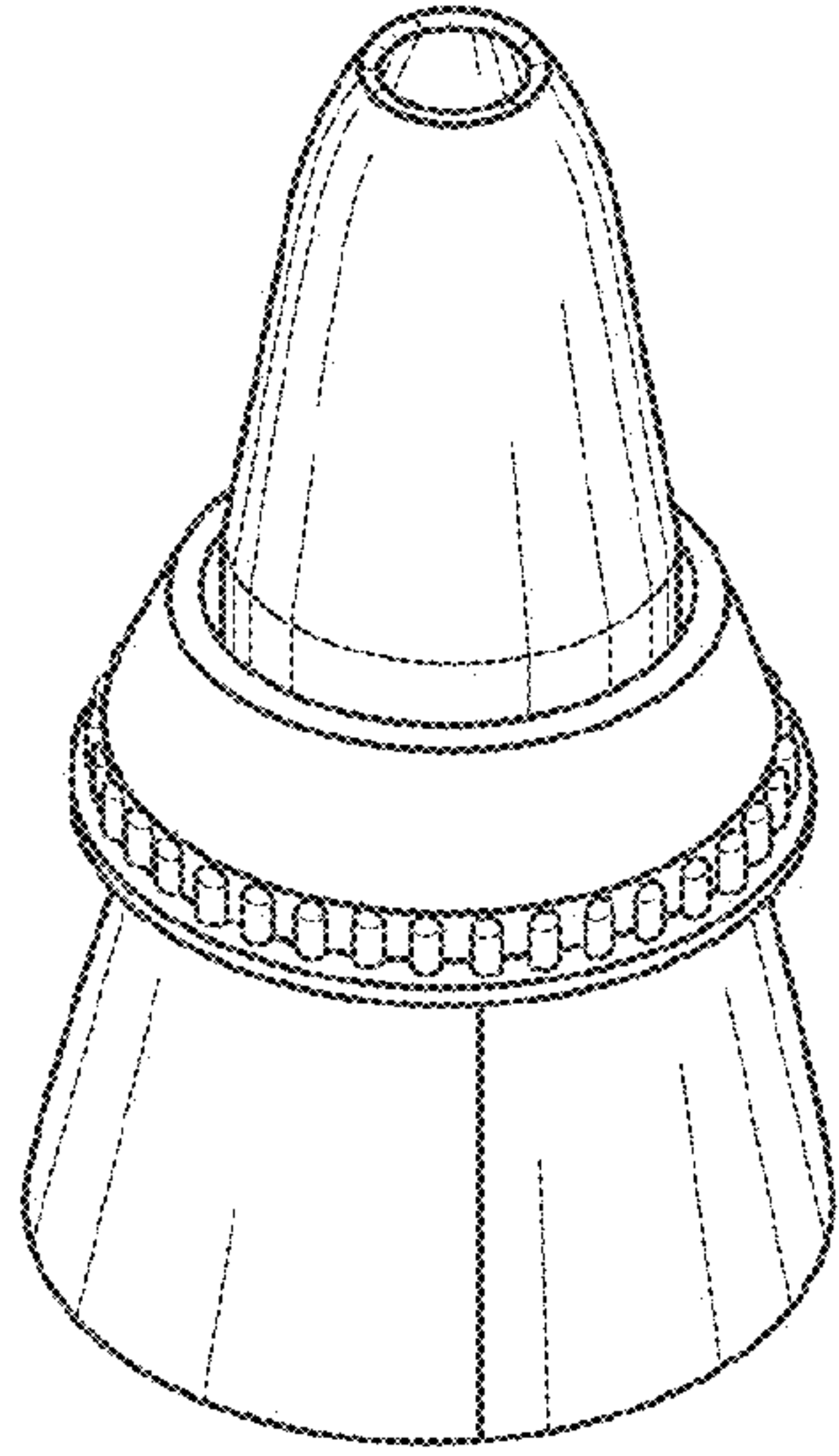


Figure 1

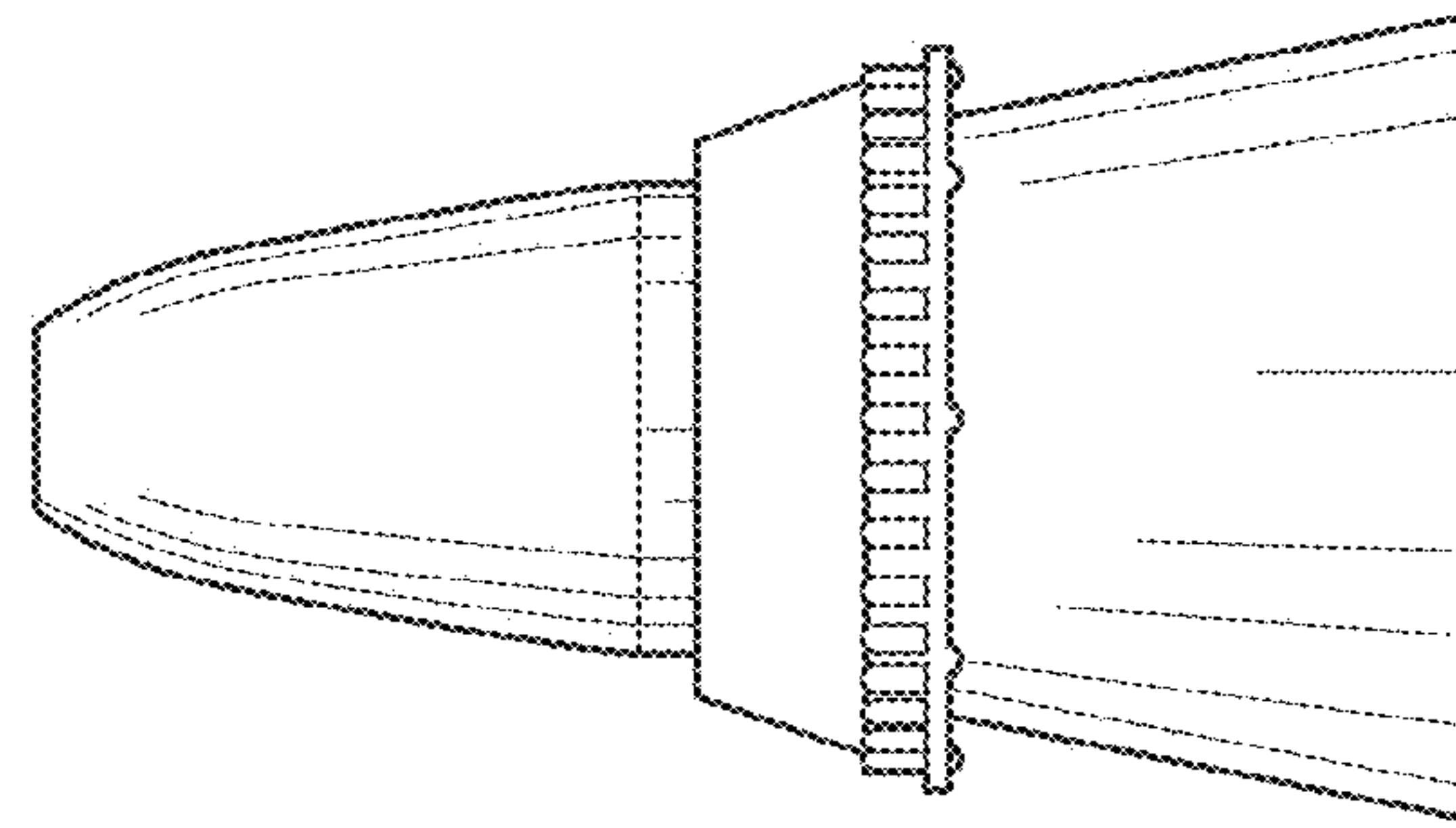


Figure 2

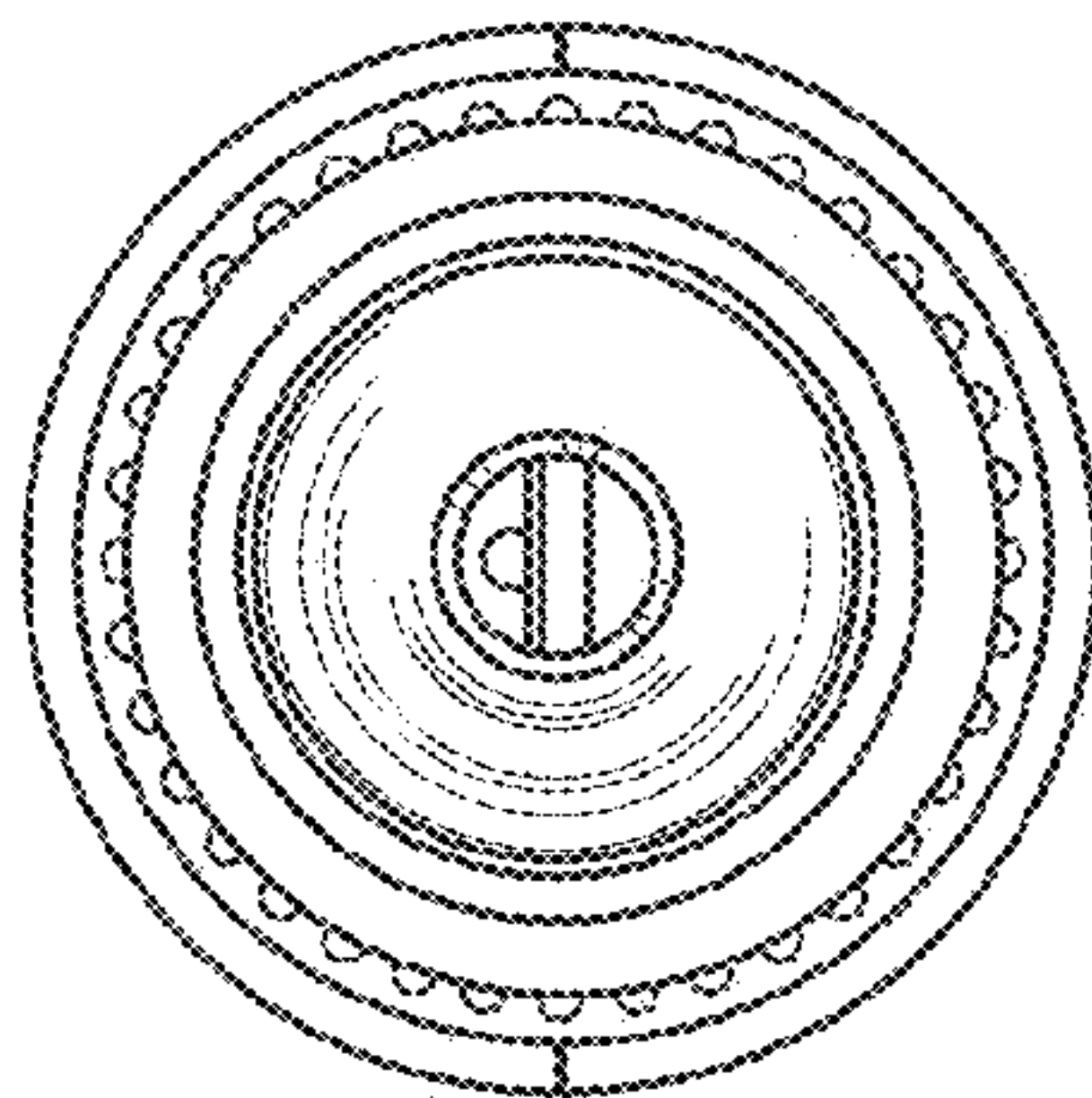


Figure 3

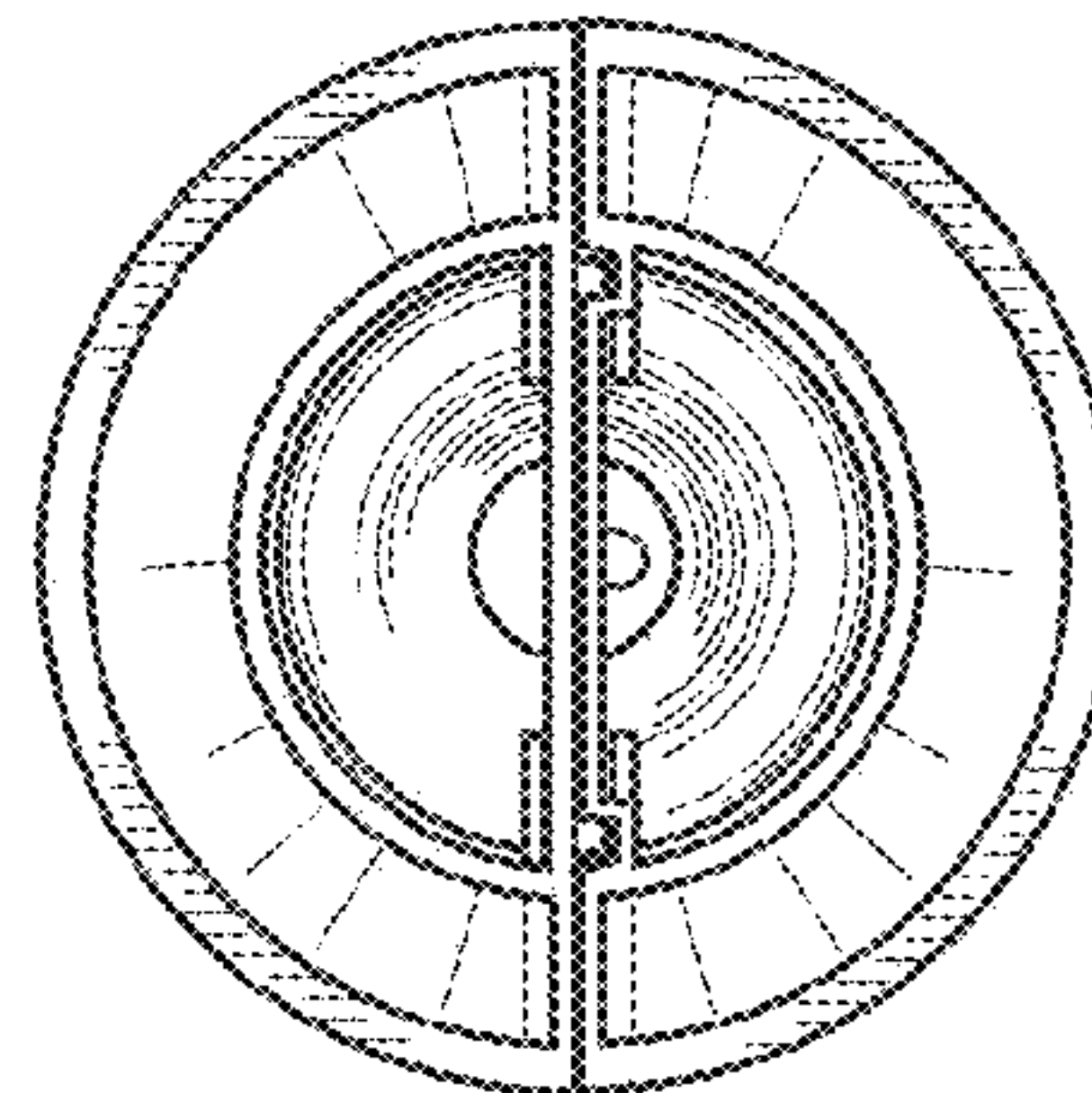


Figure 4

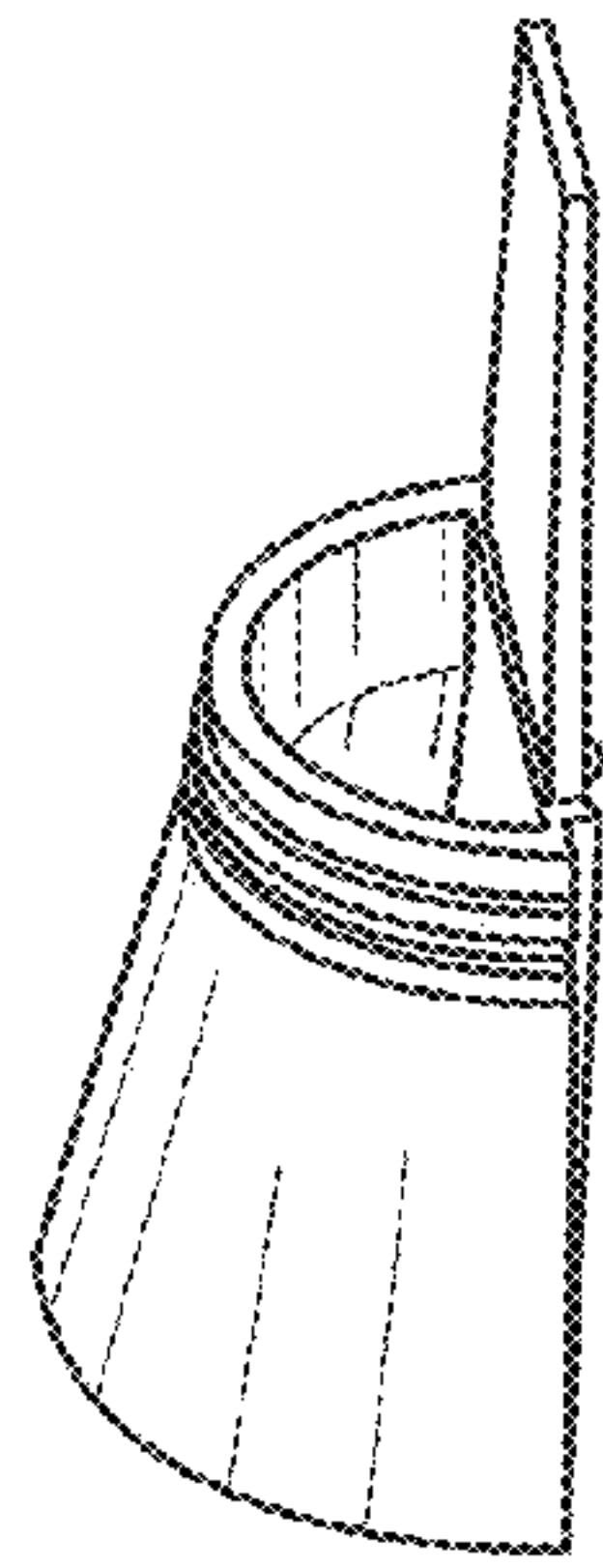


Figure 5

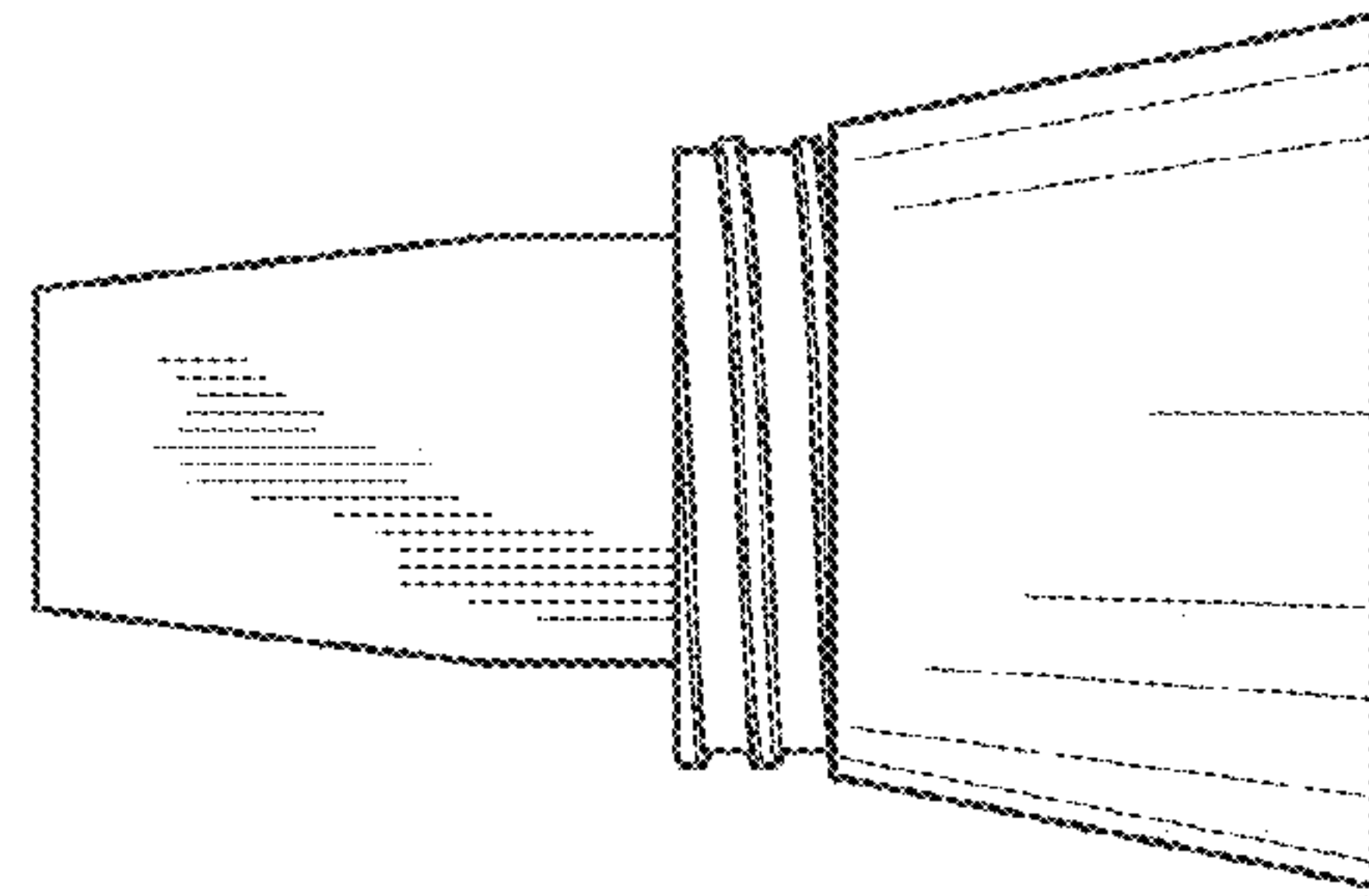


Figure 6

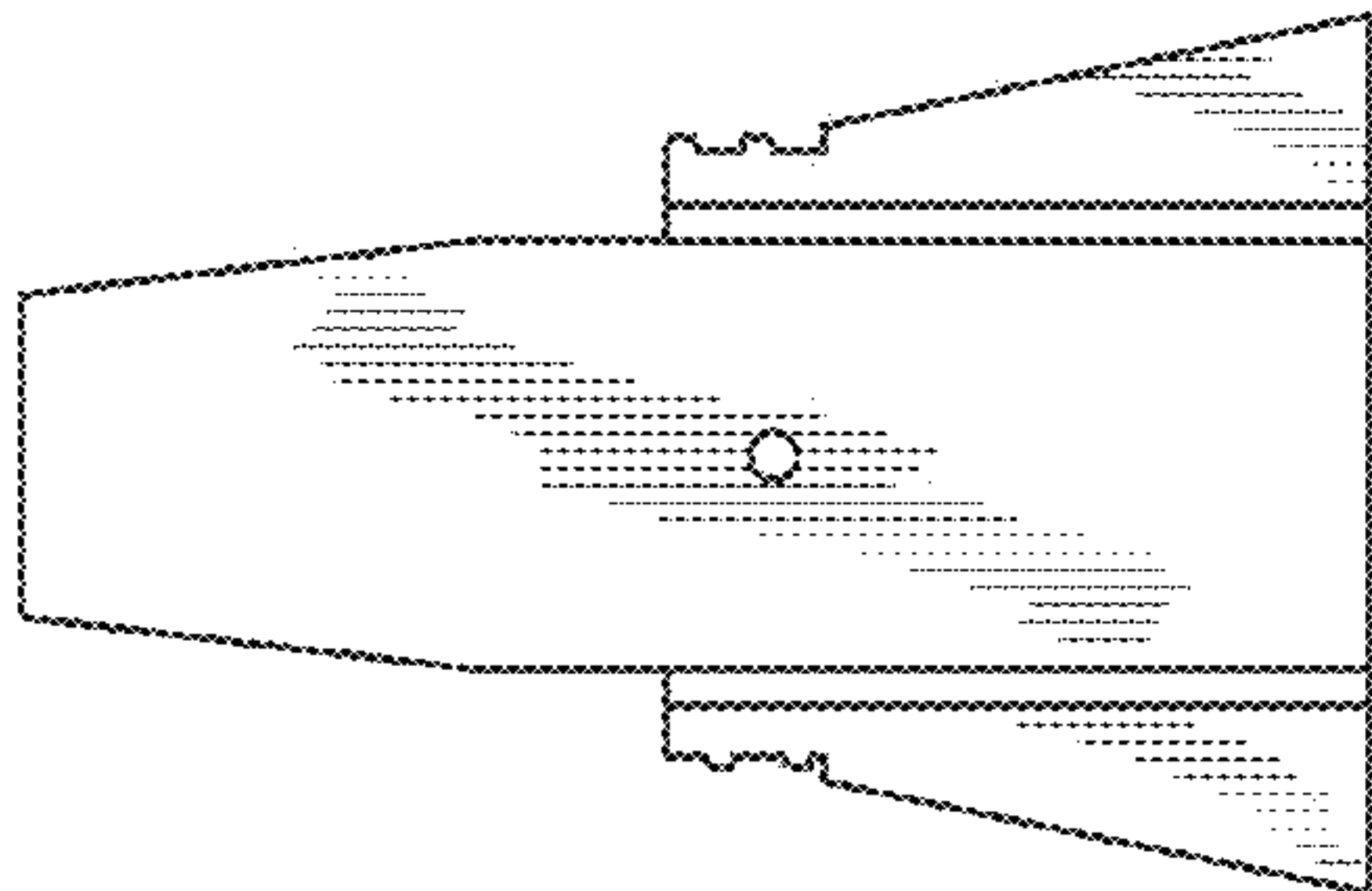


Figure 7

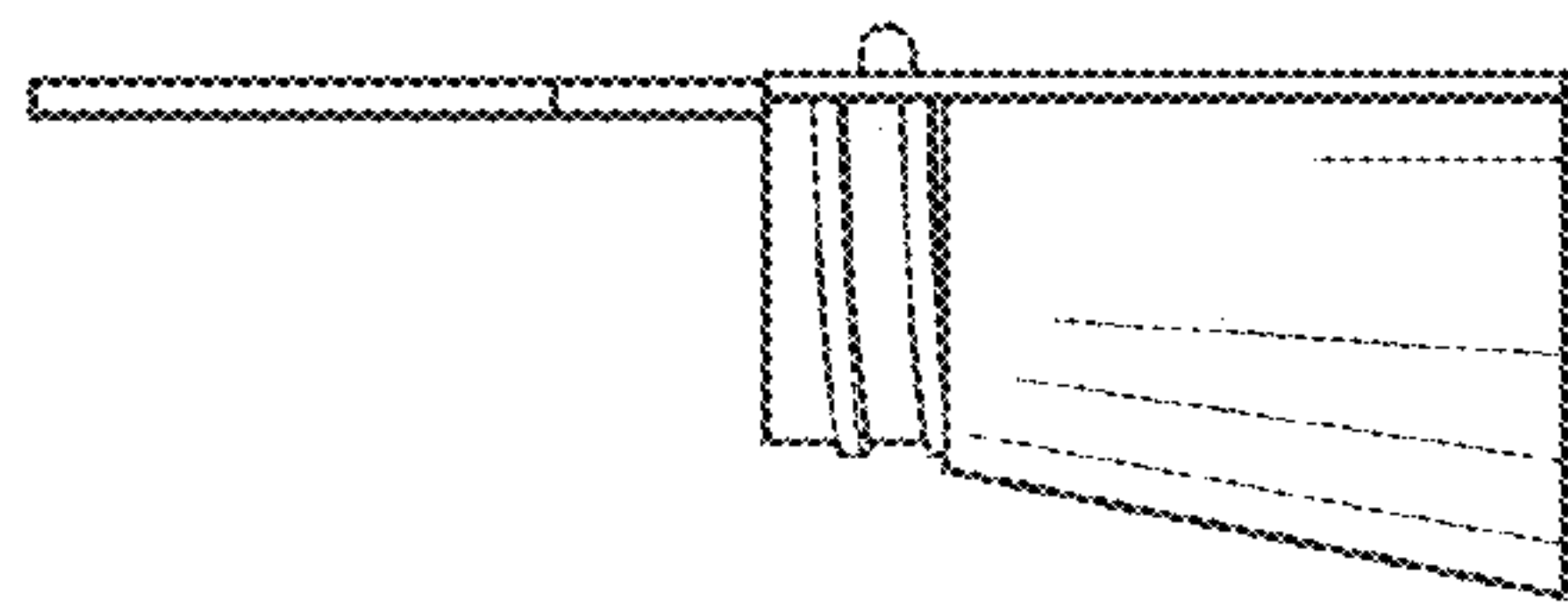


Figure 8

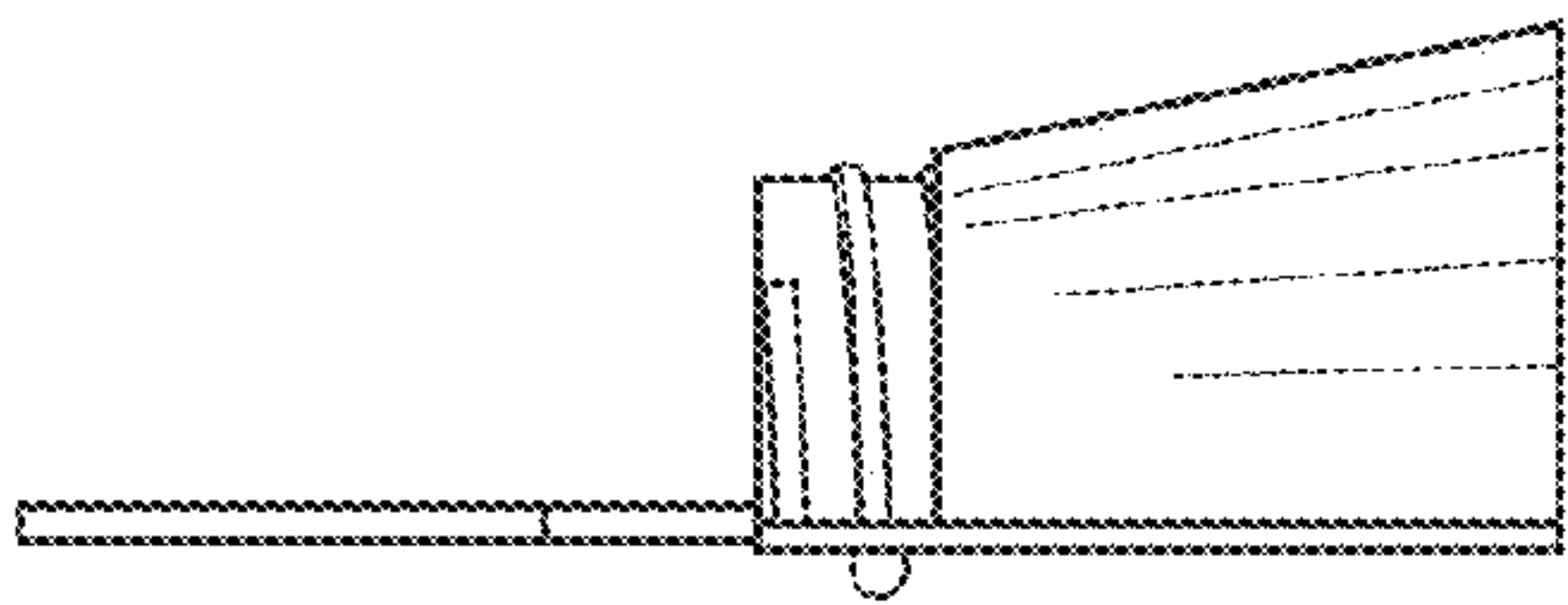


Figure 9

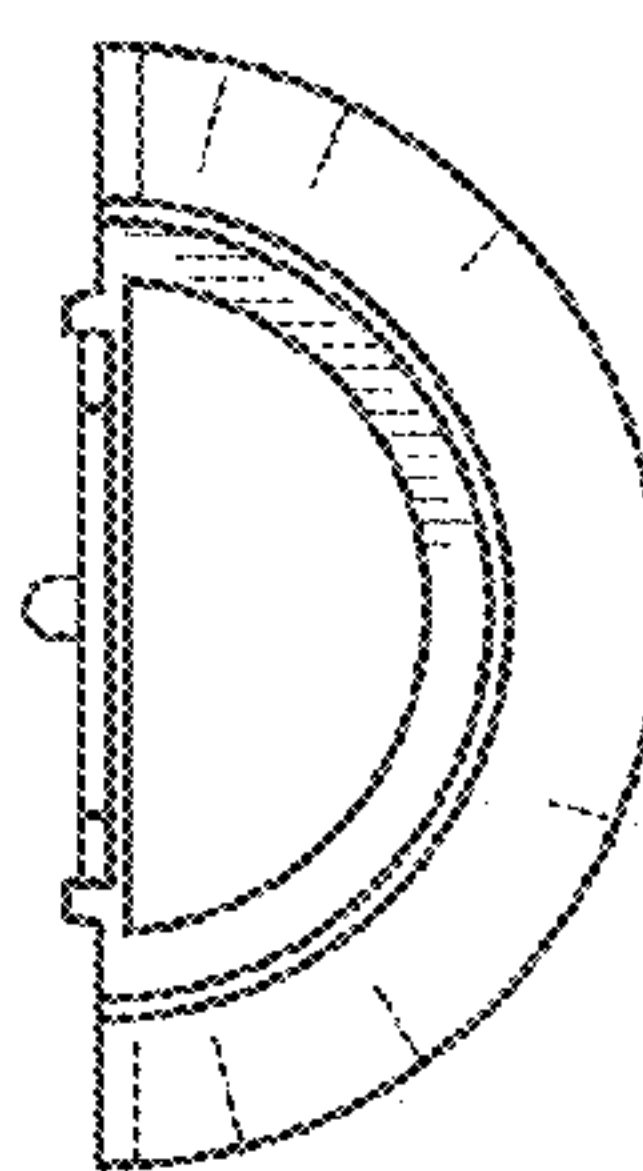


Figure 10

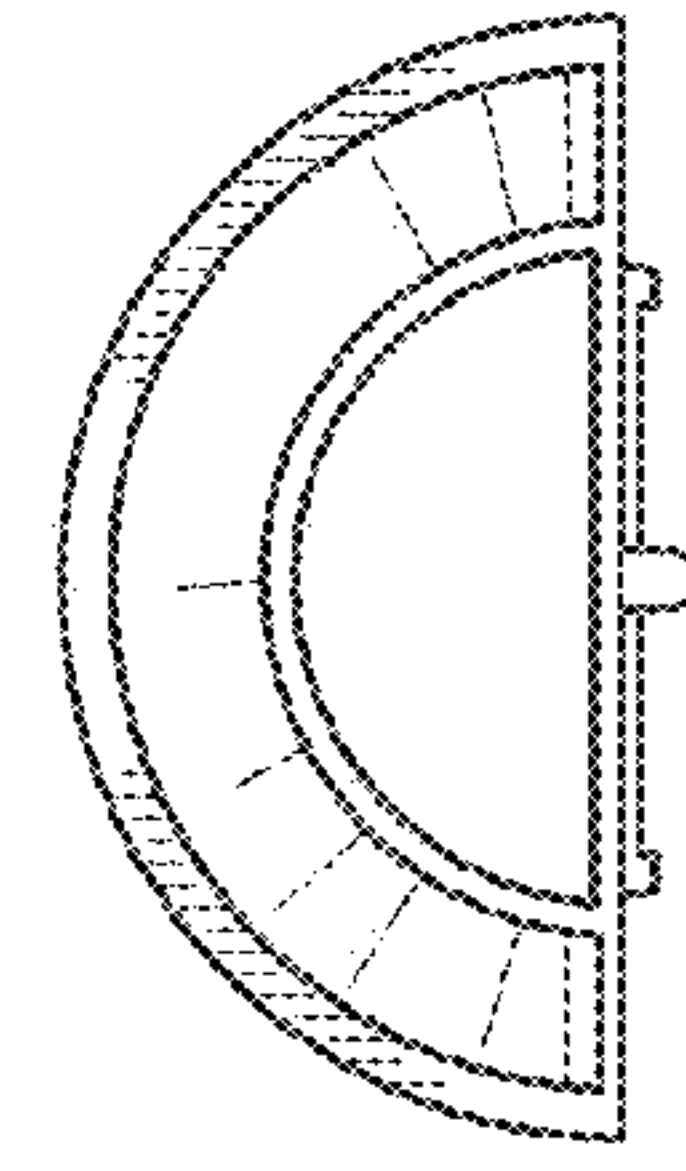


Figure 11

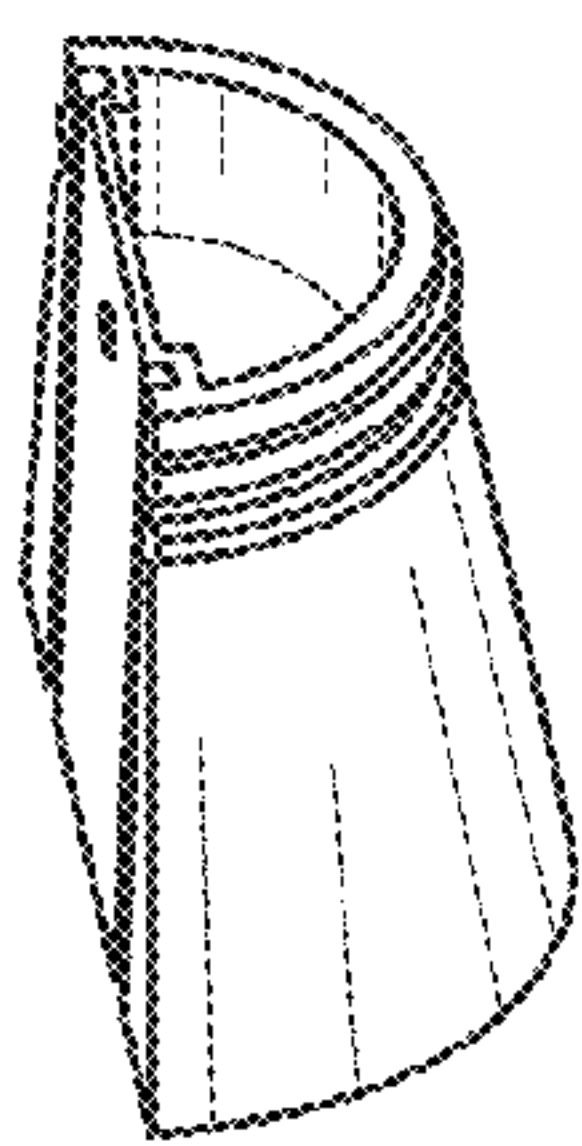


Figure 12

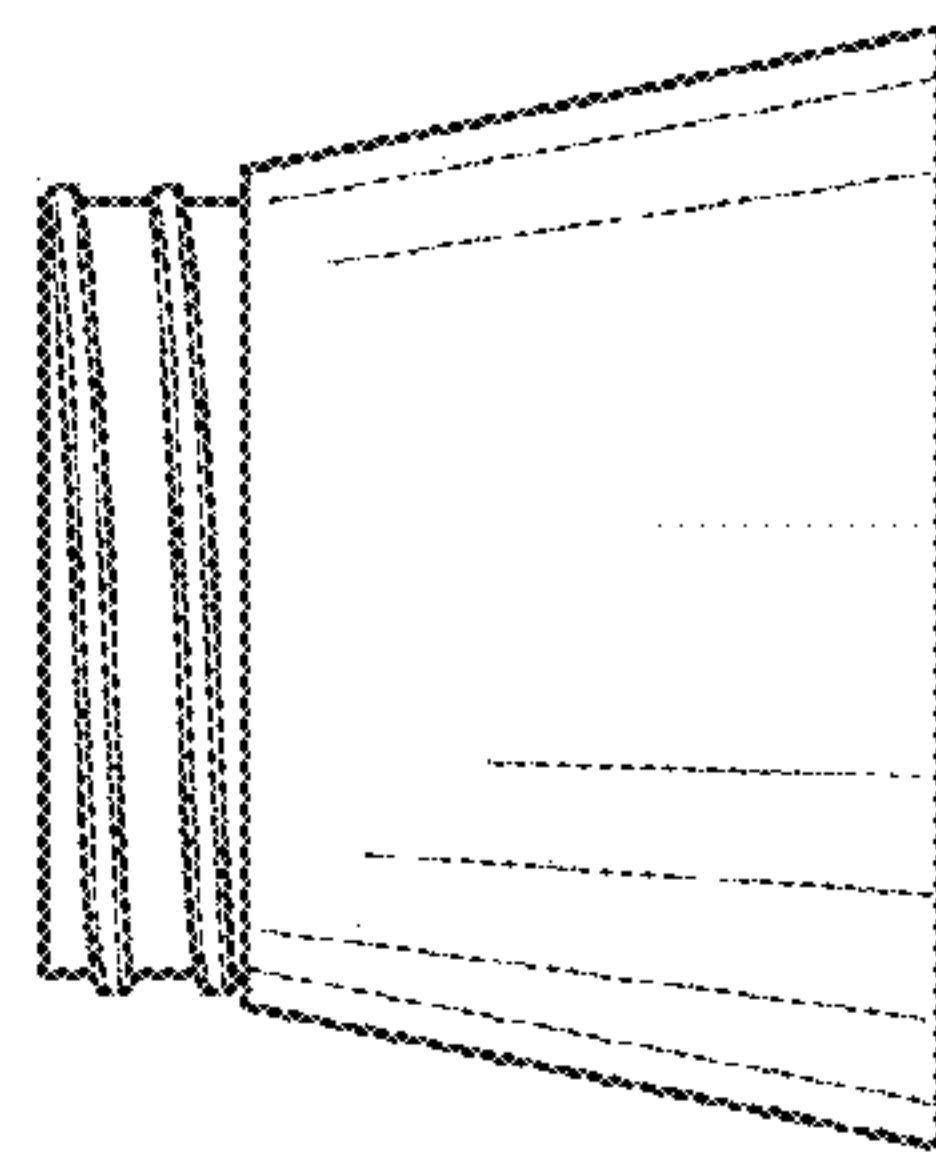


Figure 13

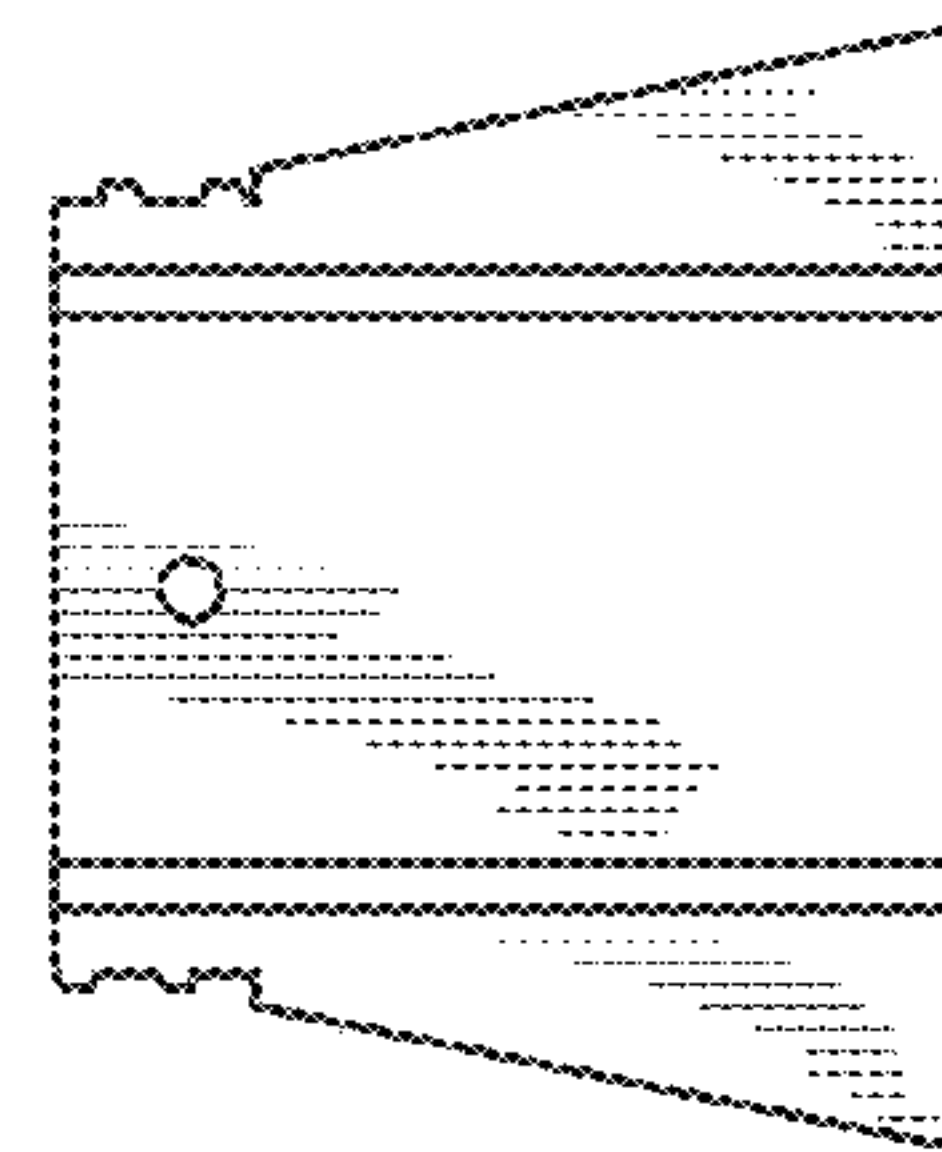


Figure 14

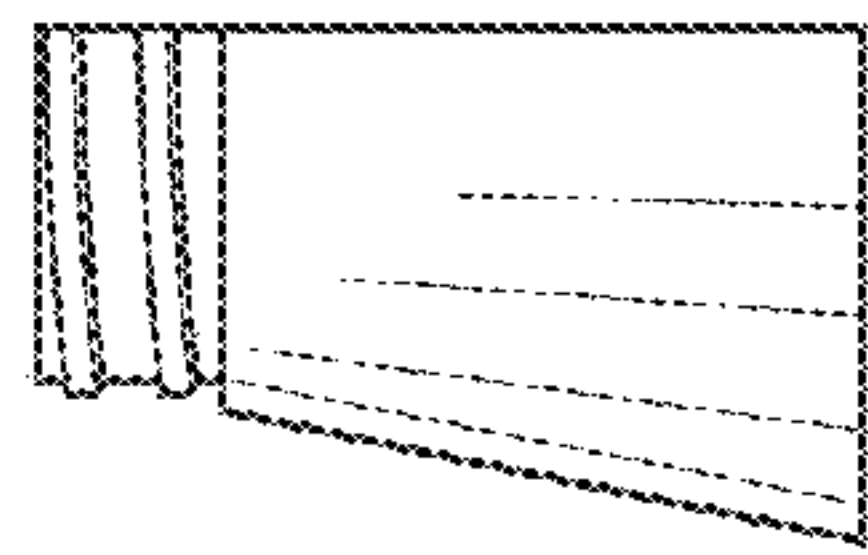


Figure 15

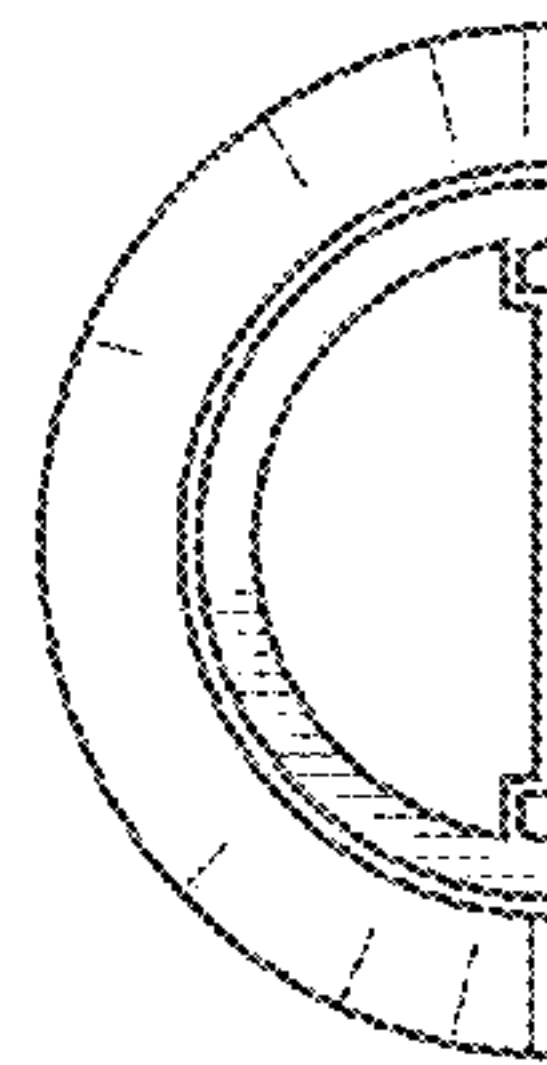


Figure 16

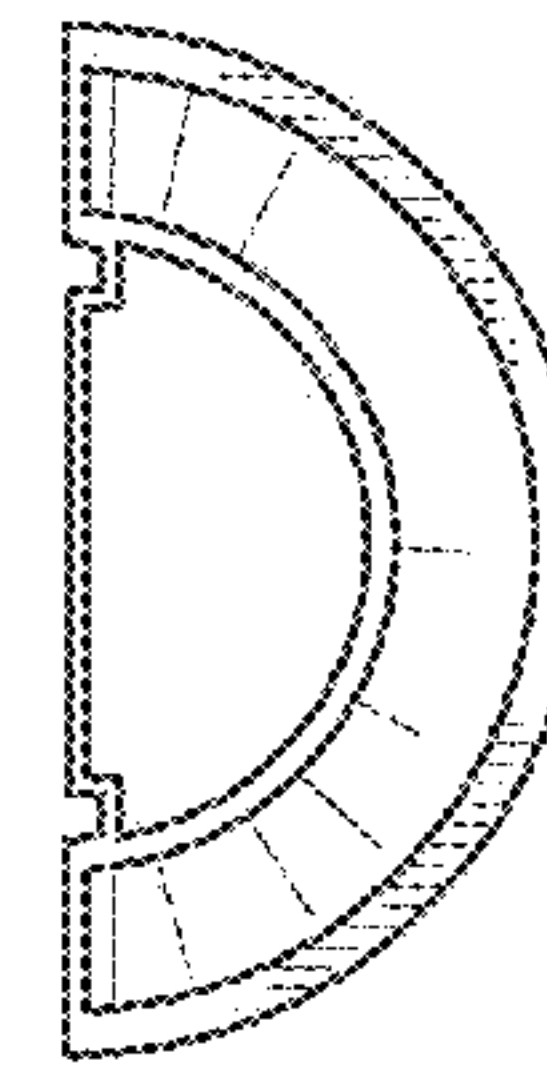


Figure 17

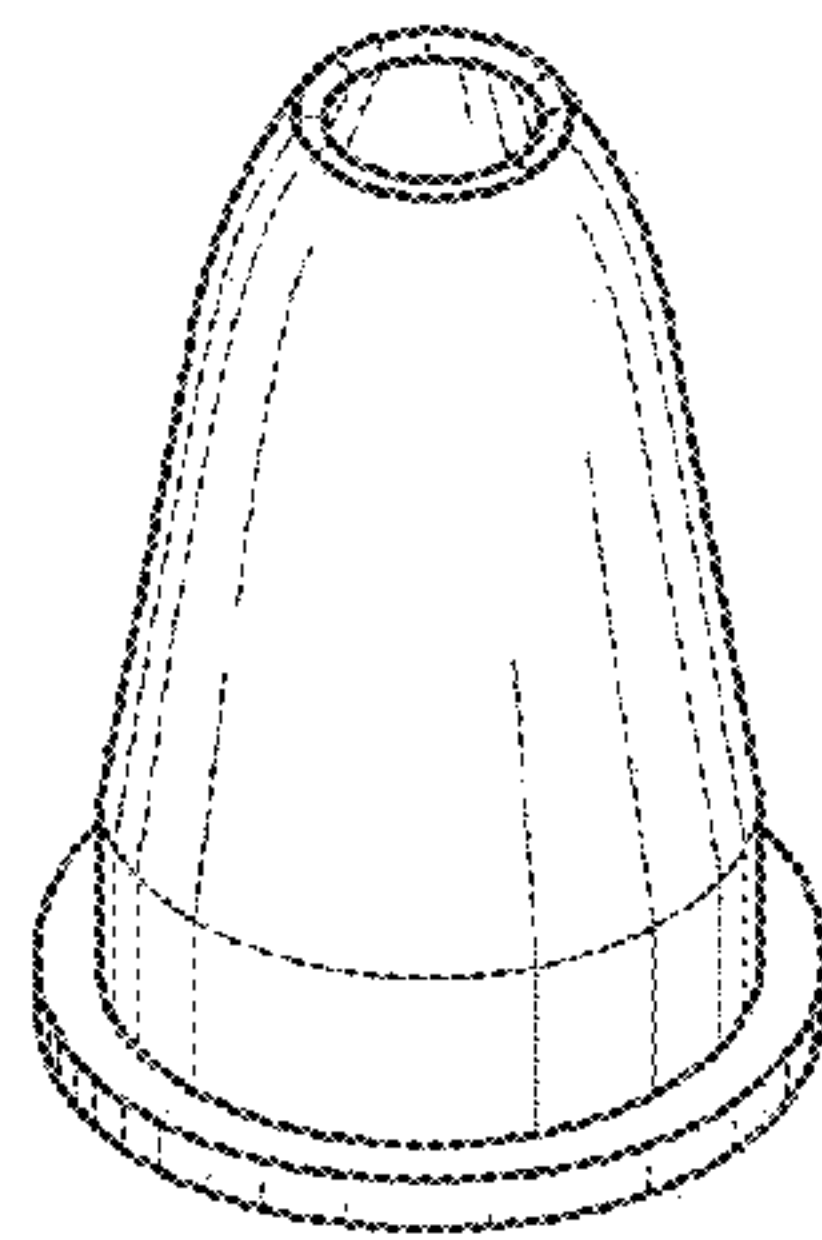


Figure 18

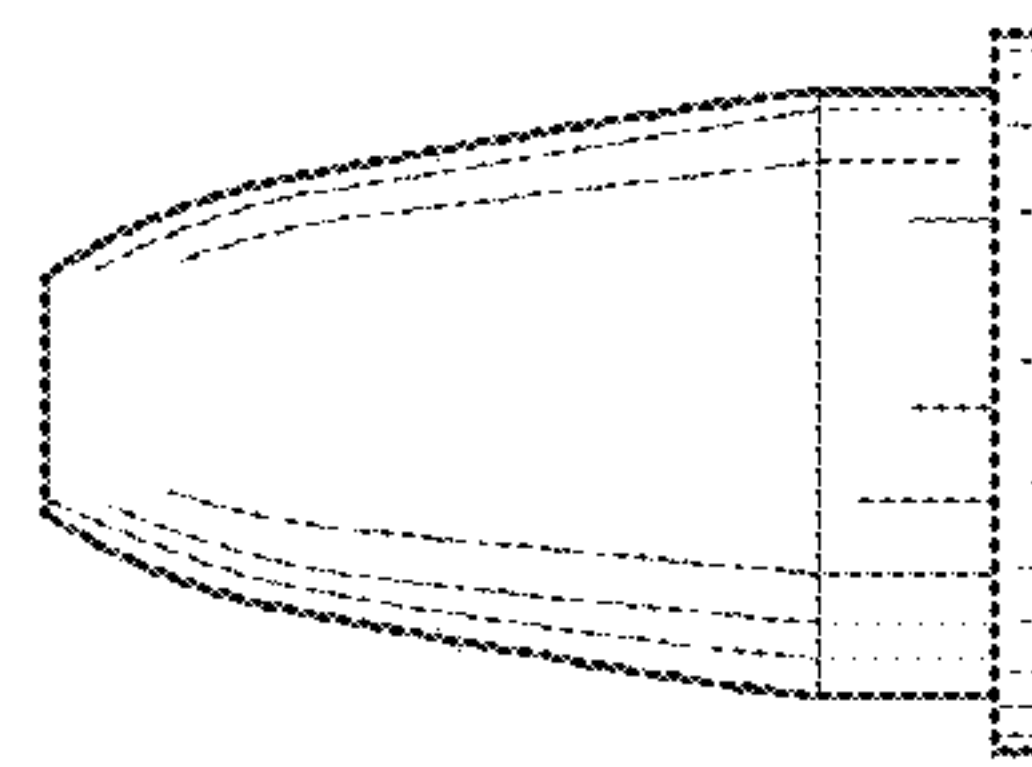


Figure 19

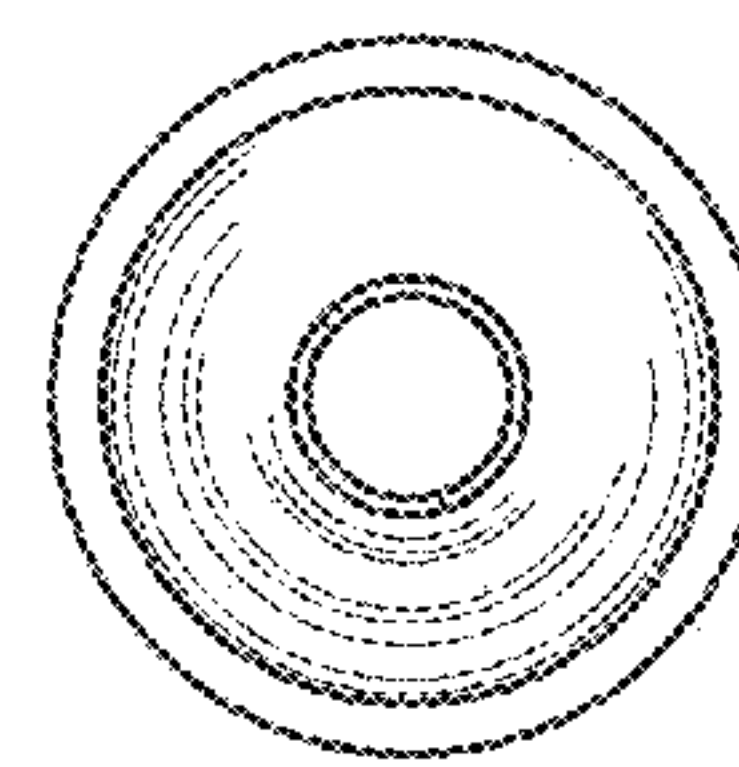


Figure 20

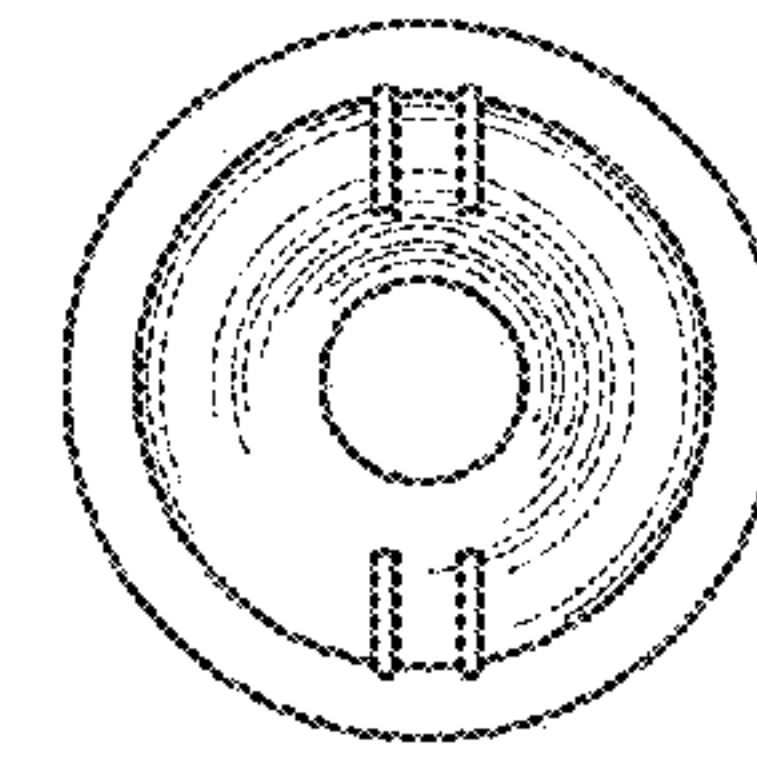


Figure 21

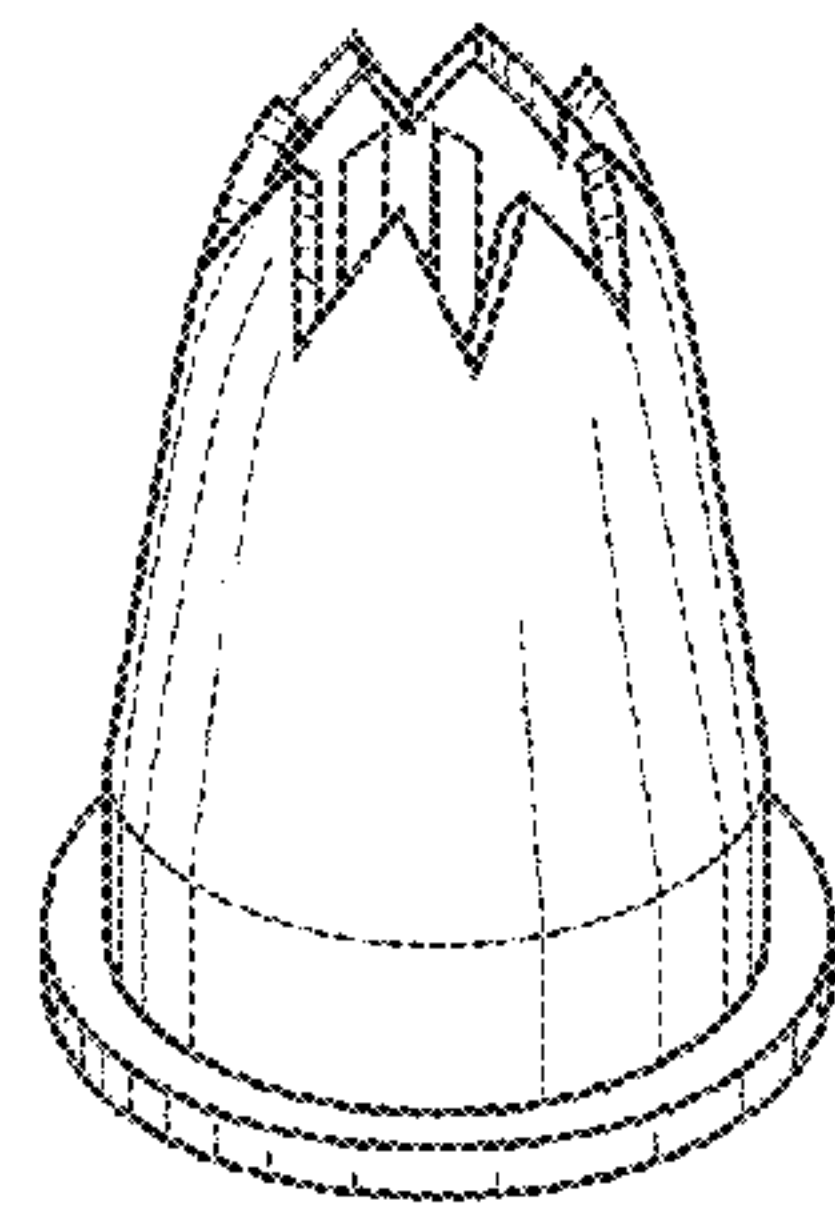


Figure 22

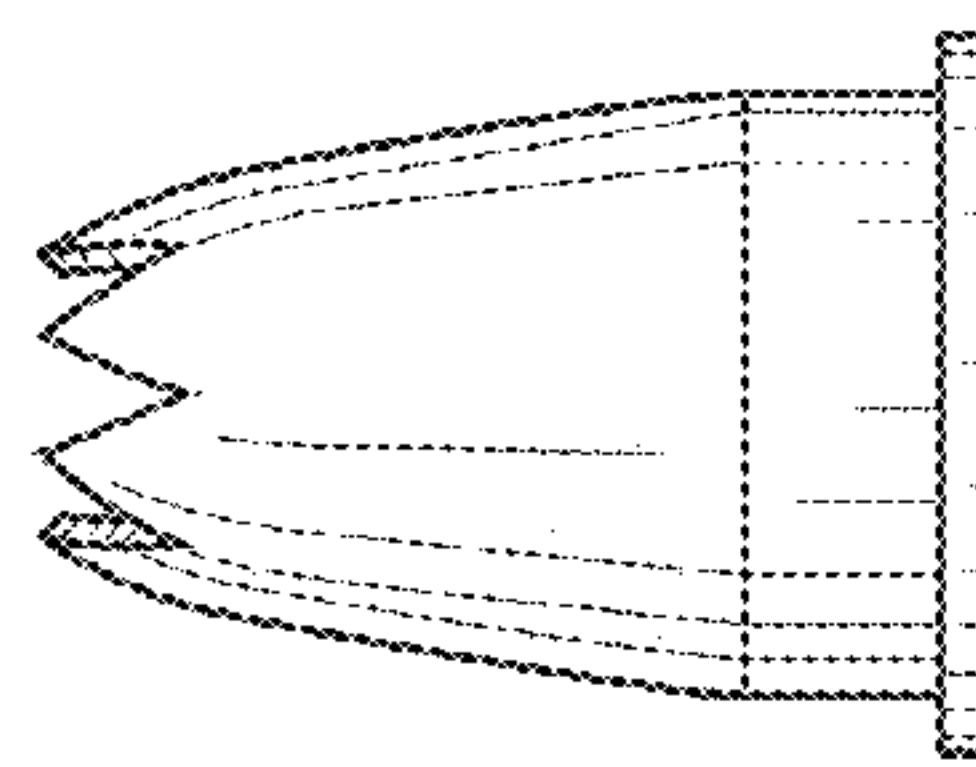


Figure 23

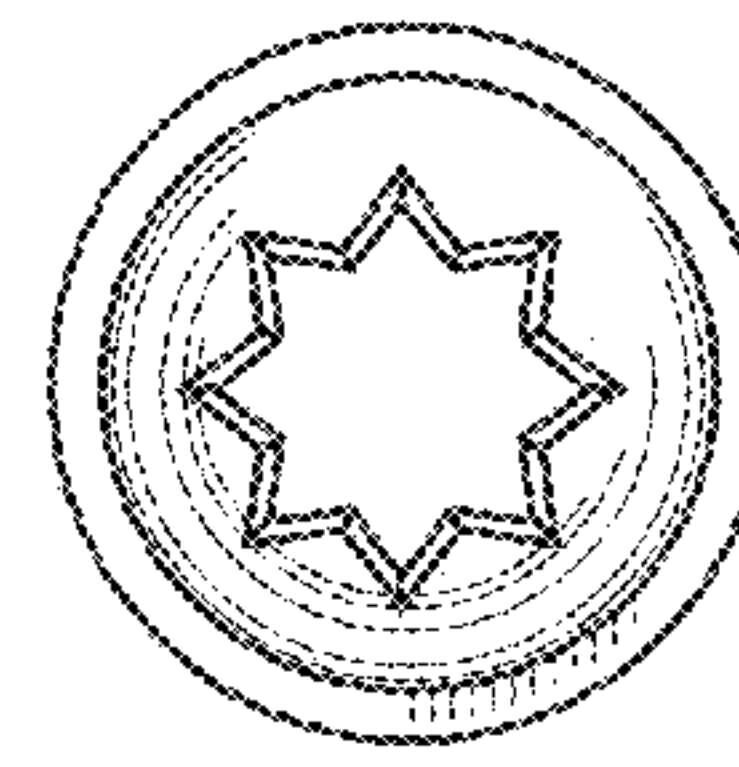


Figure 24

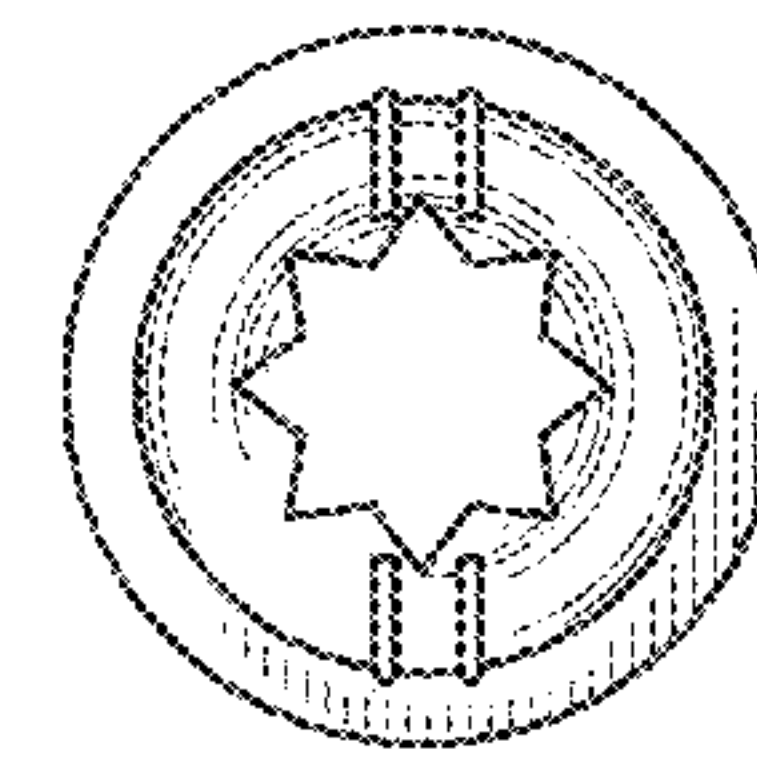


Figure 25

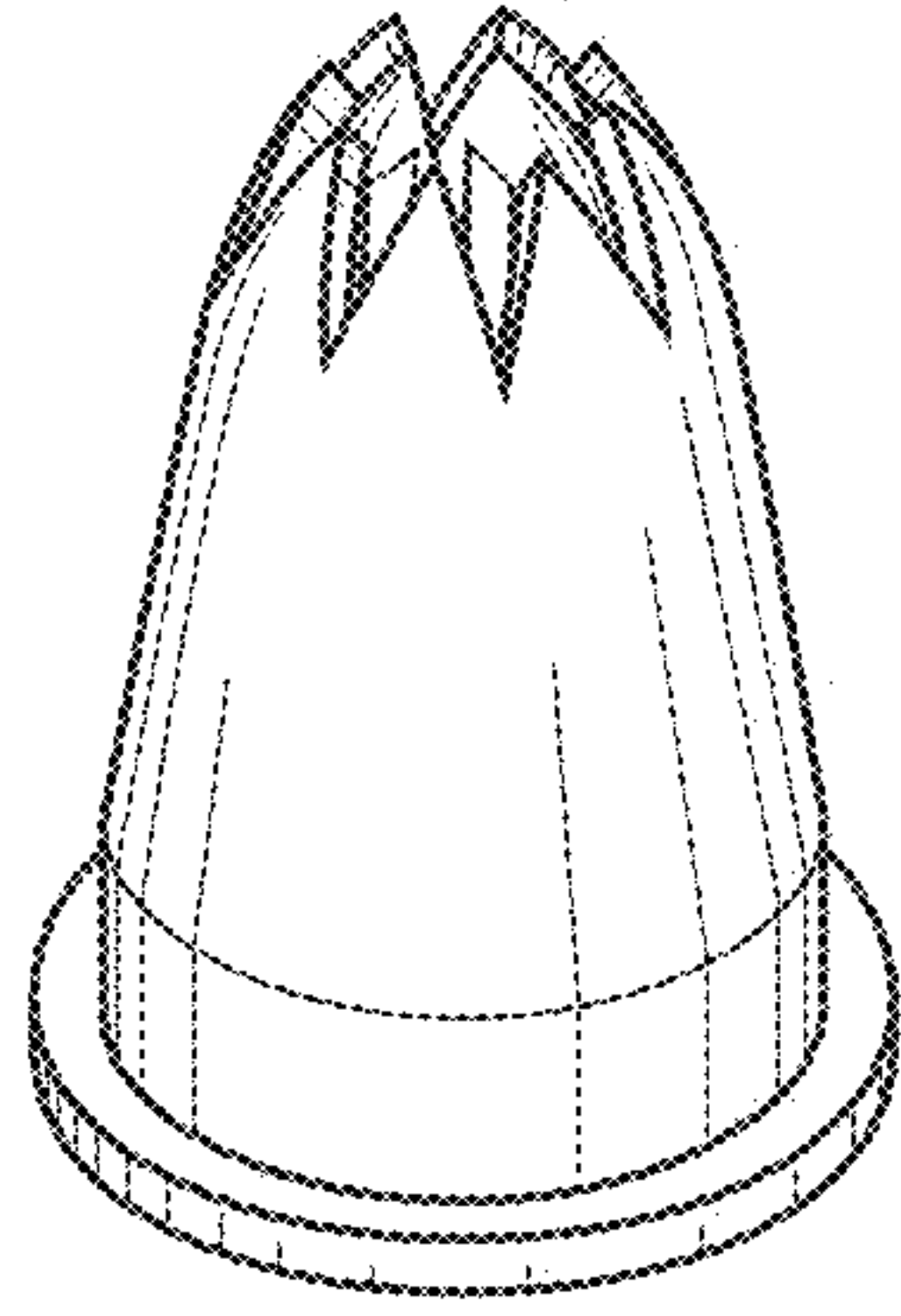


Figure 26

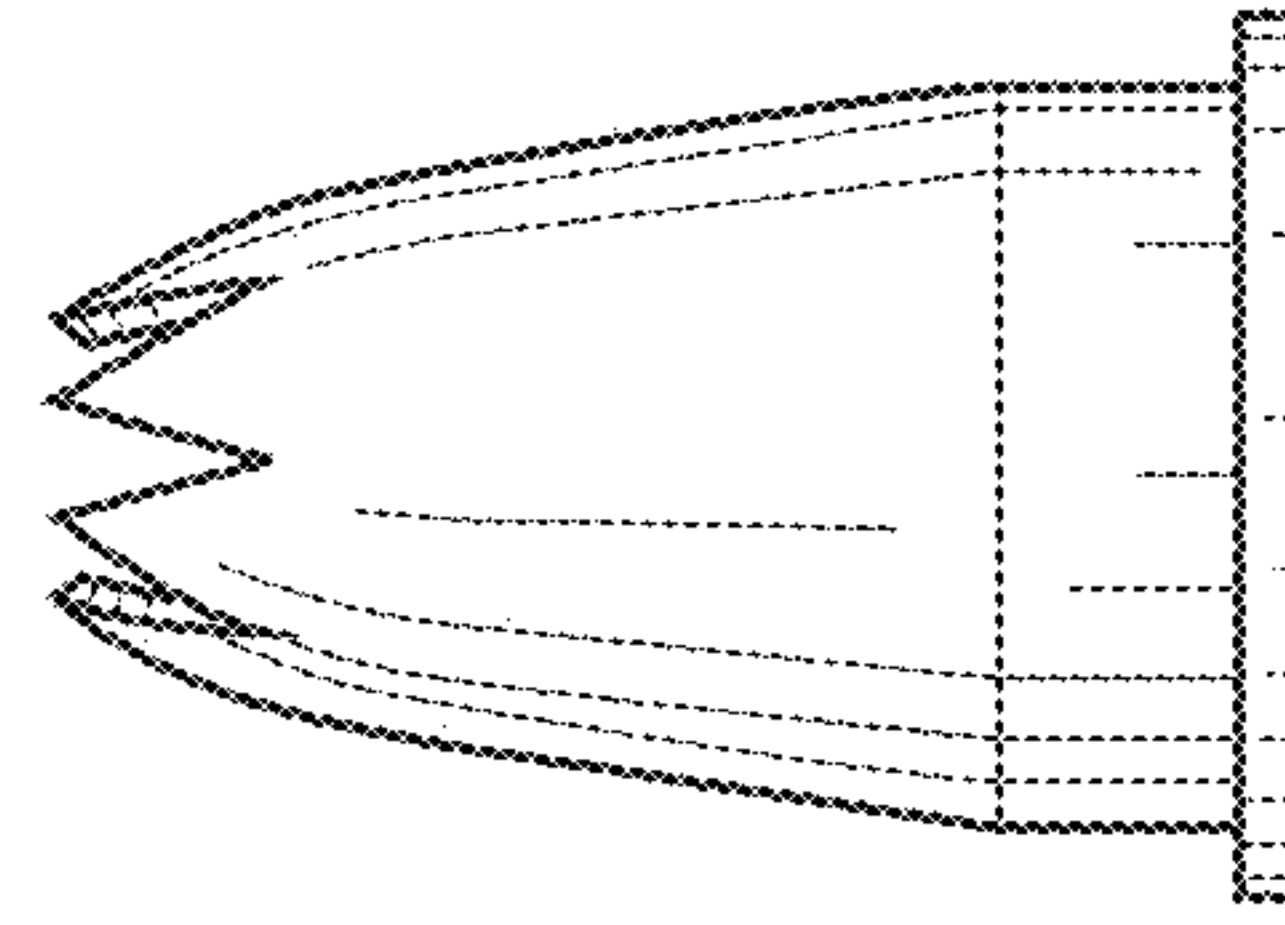


Figure 27

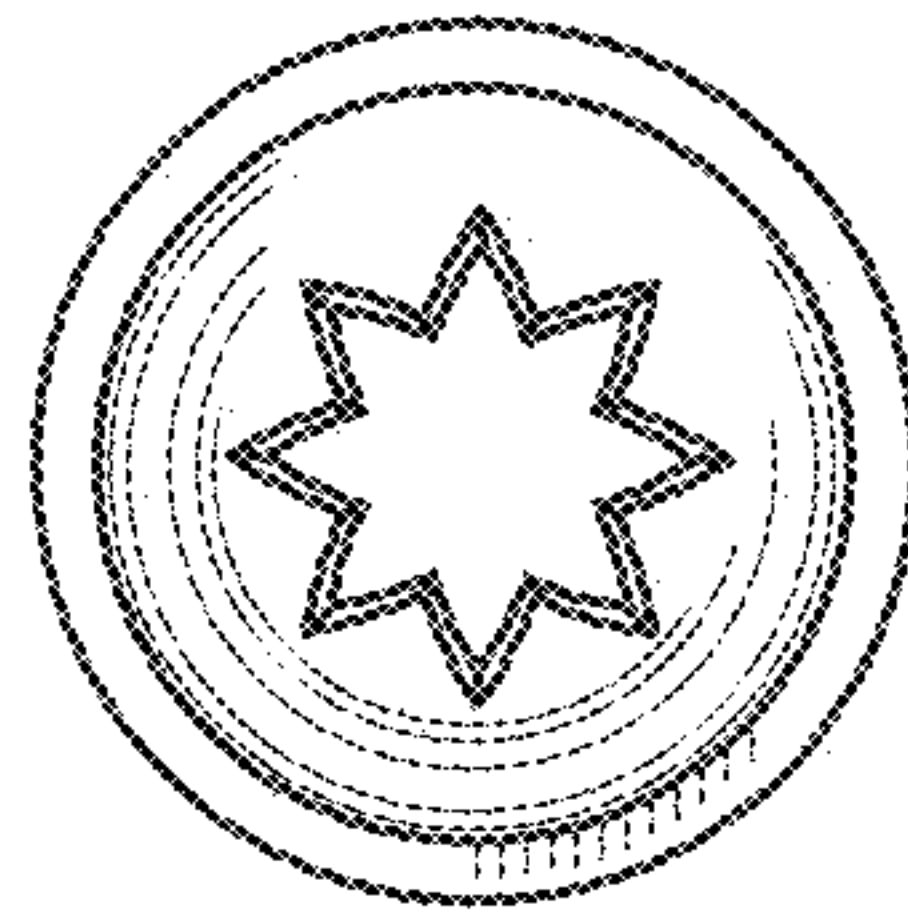


Figure 28

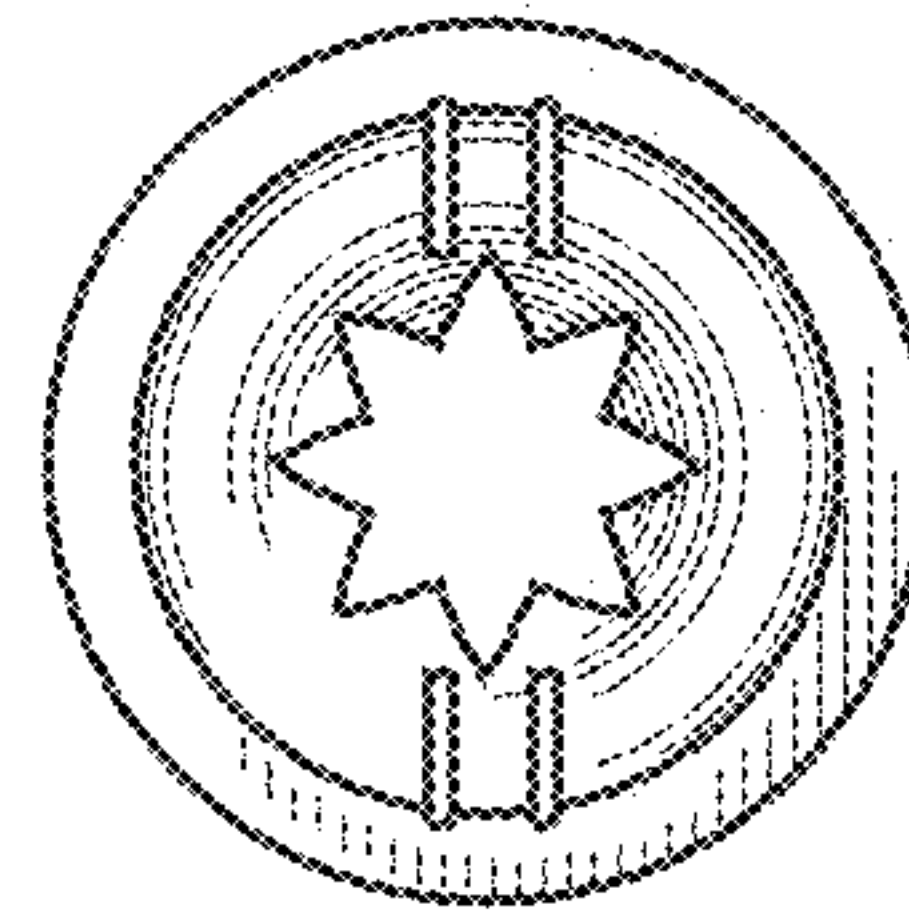


Figure 29

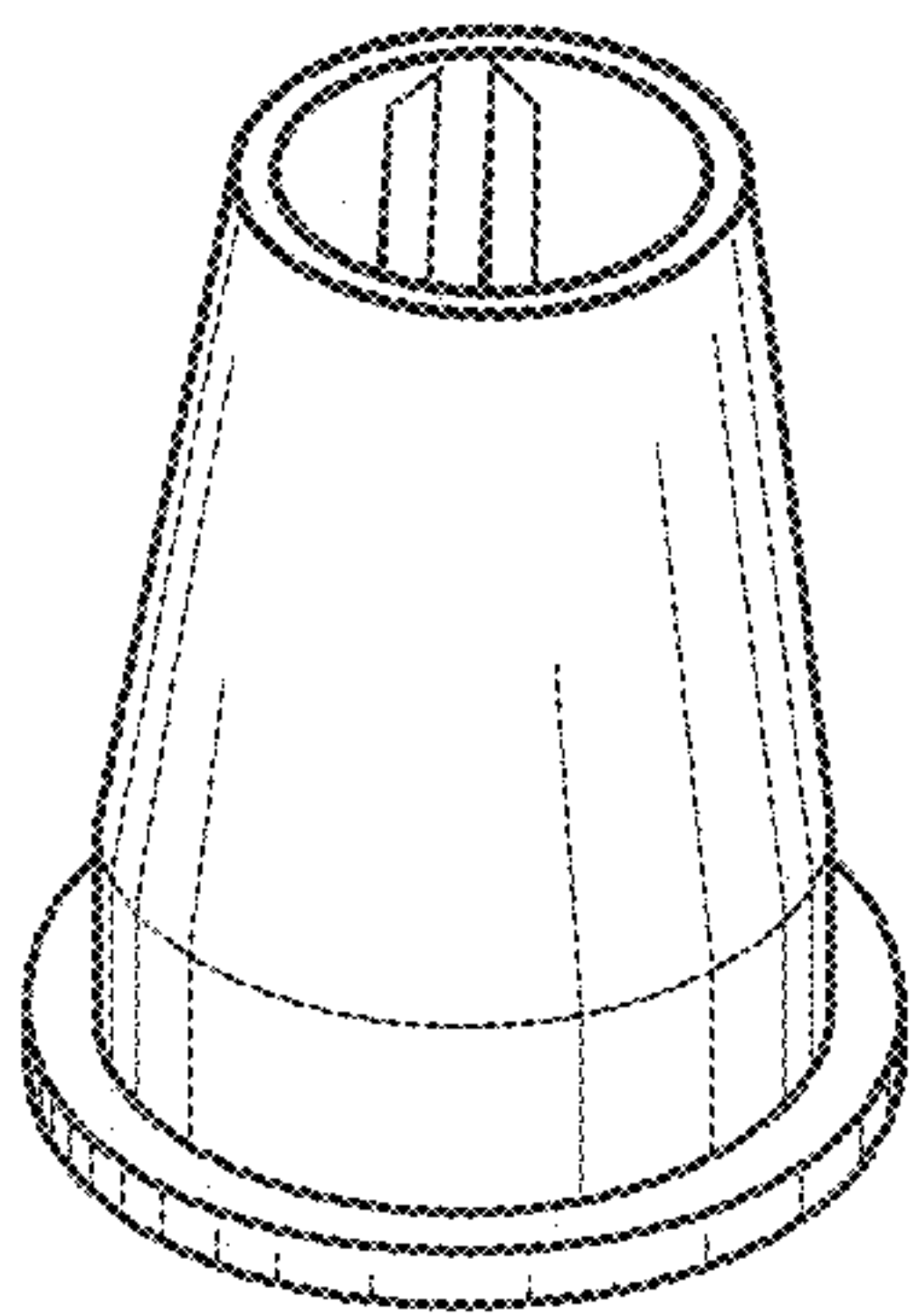


Figure 30

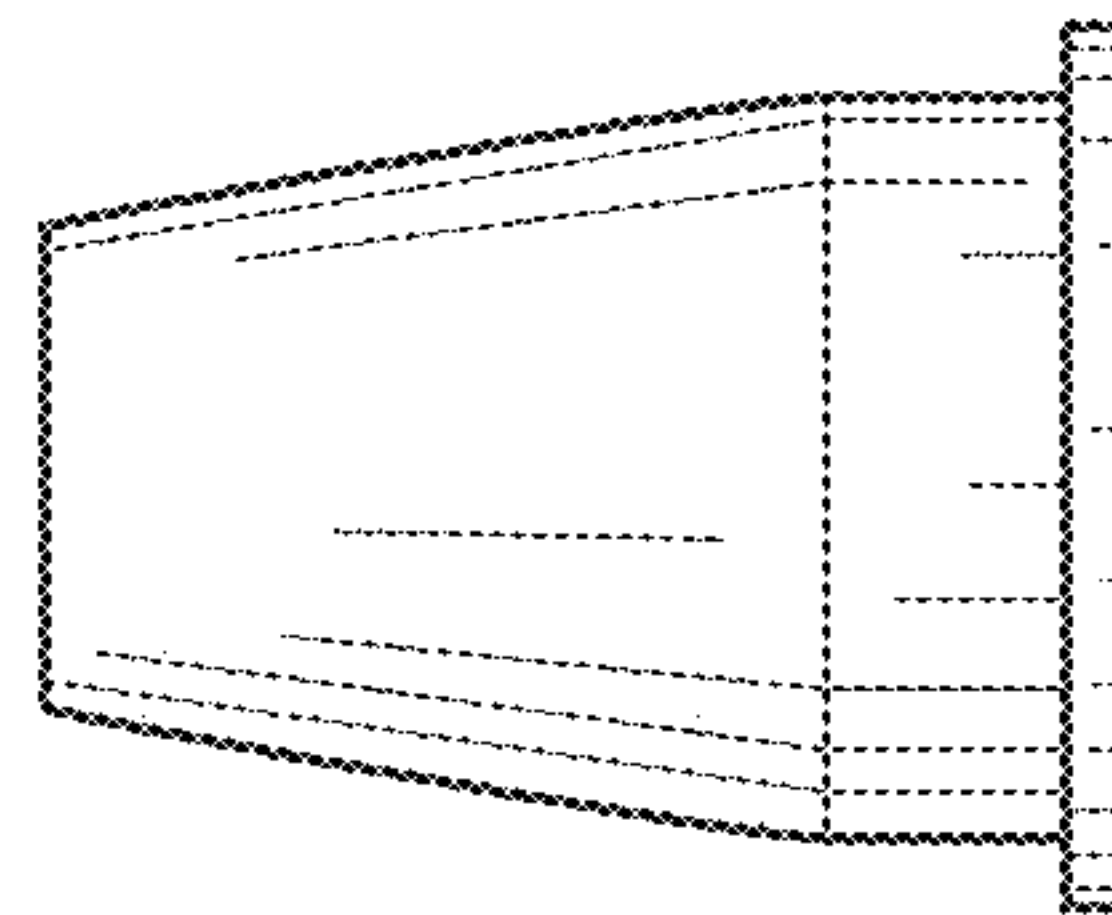


Figure 31

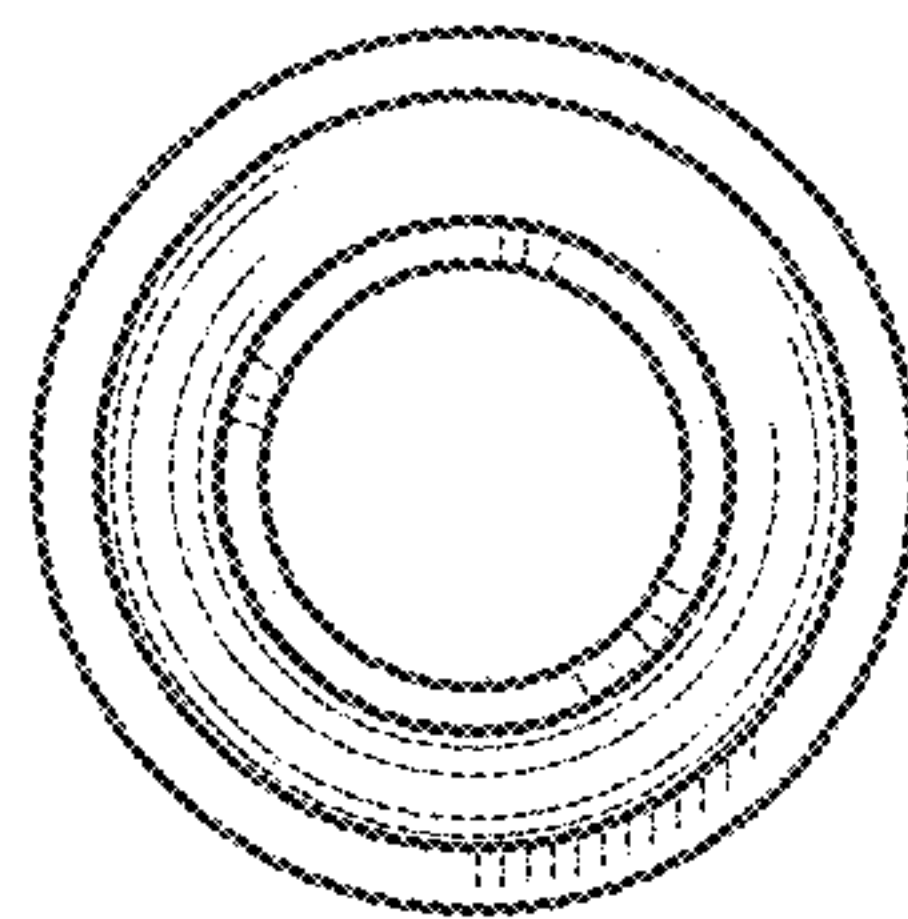


Figure 32

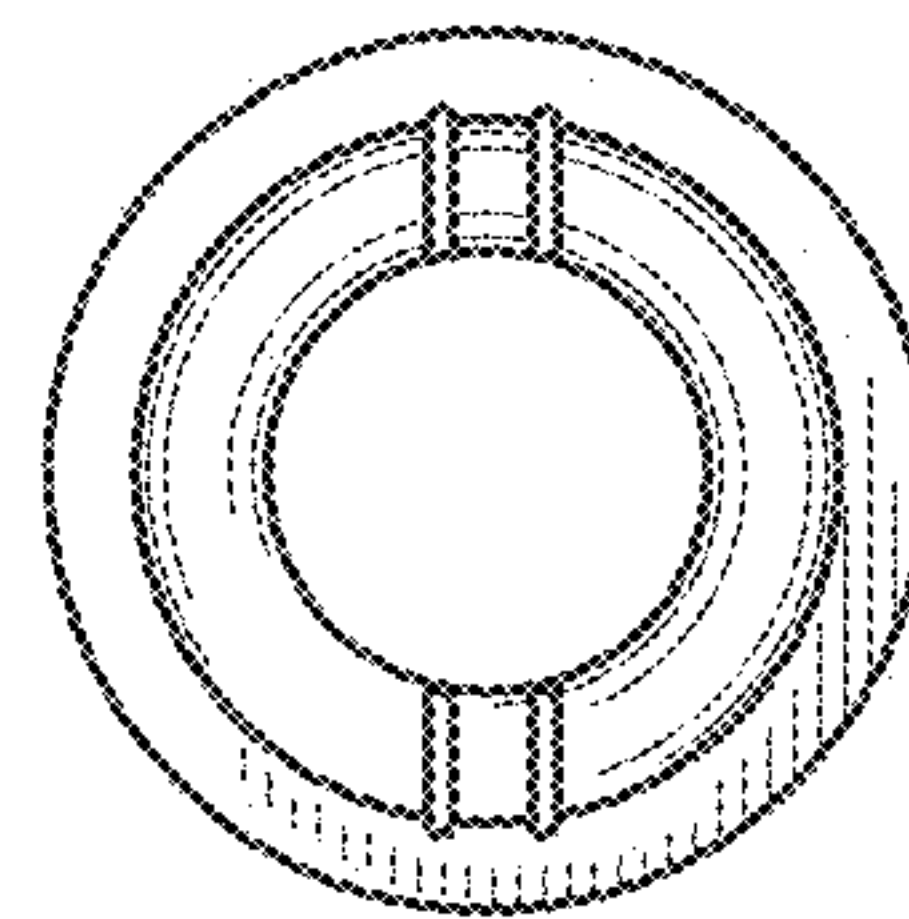


Figure 33

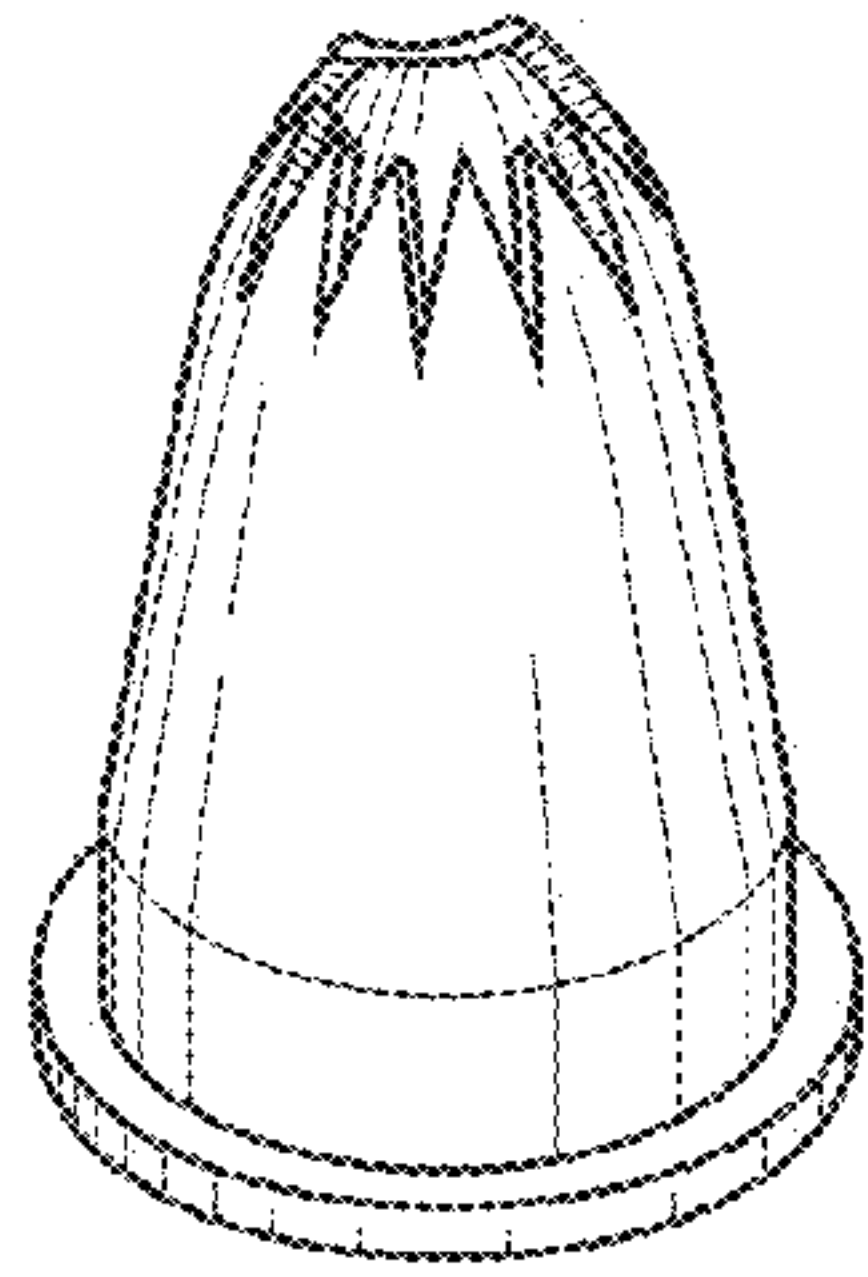


Figure 34

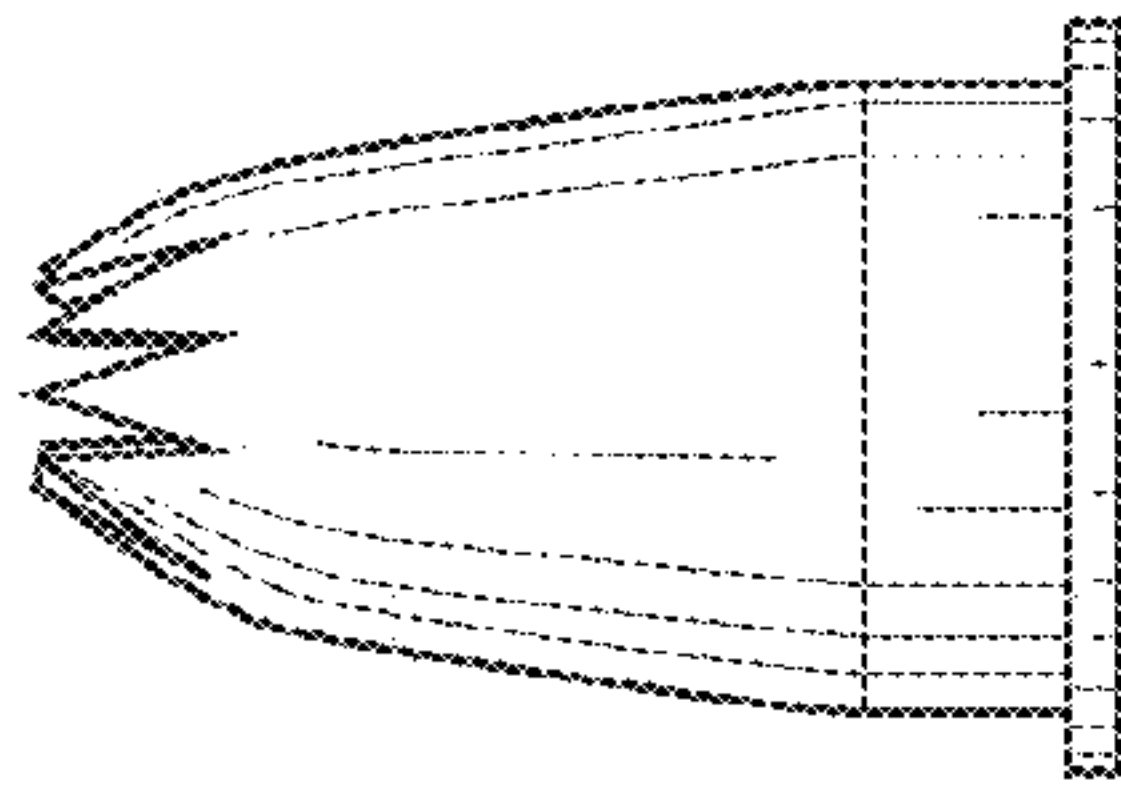


Figure 35

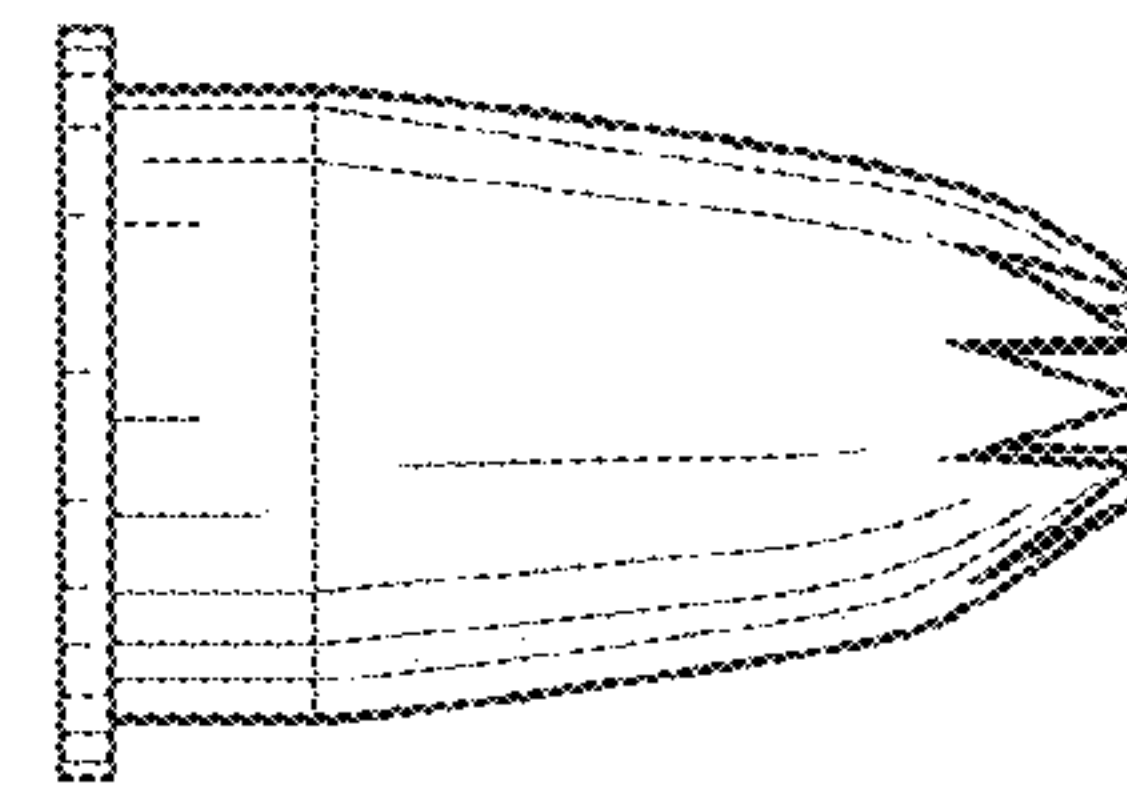


Figure 36

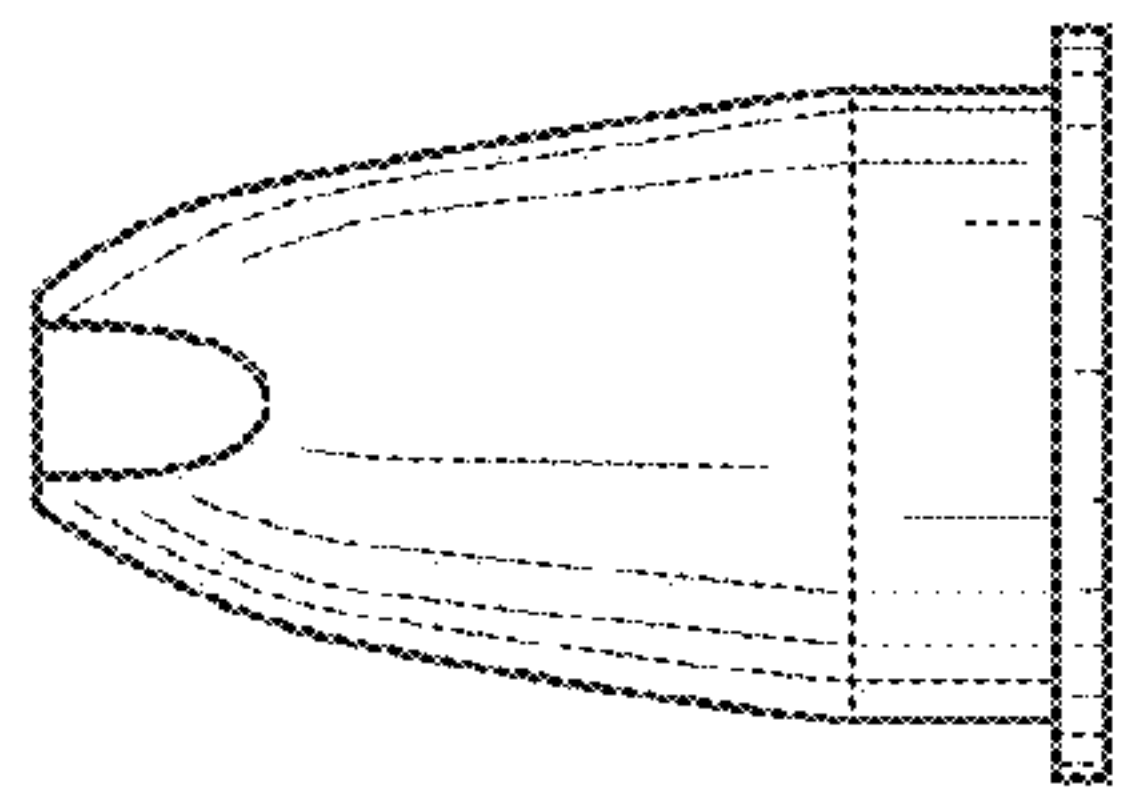


Figure 37

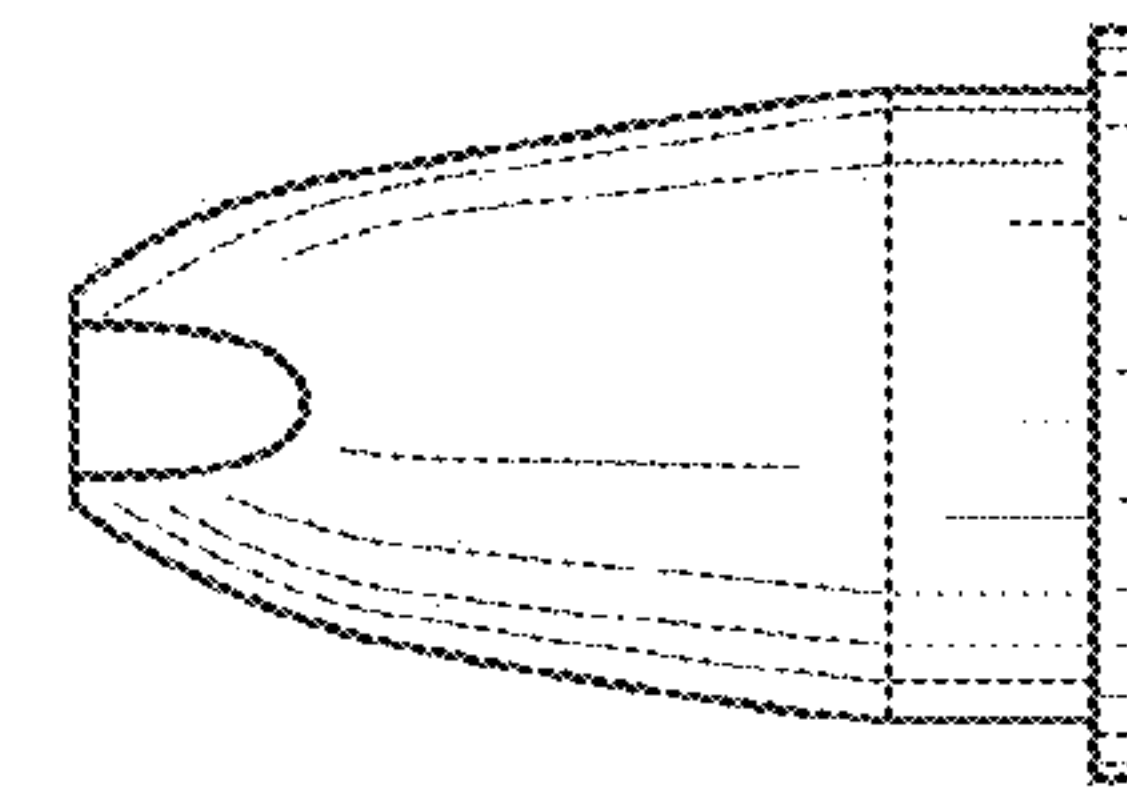


Figure 38

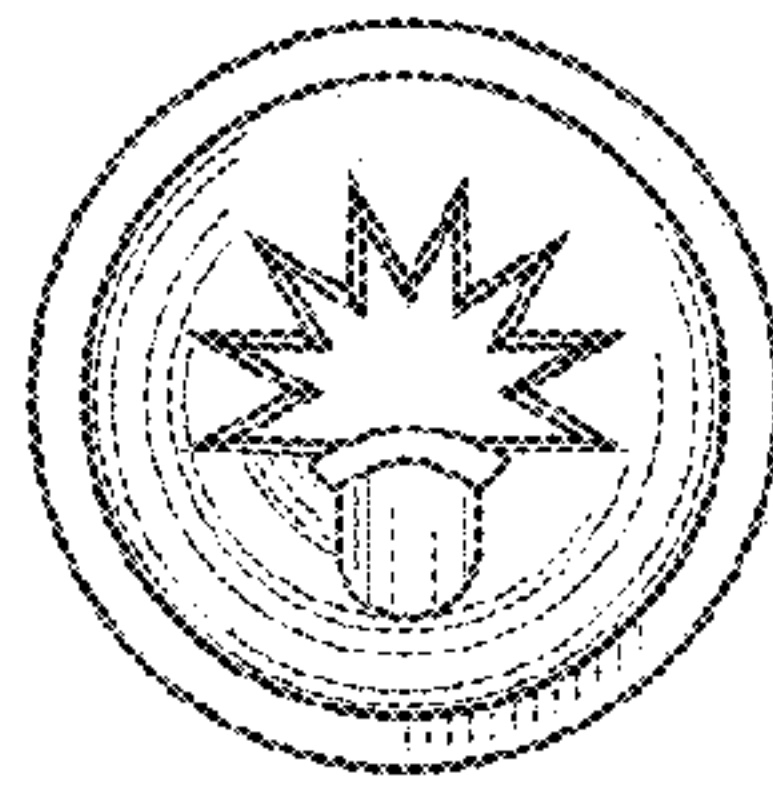


Figure 39

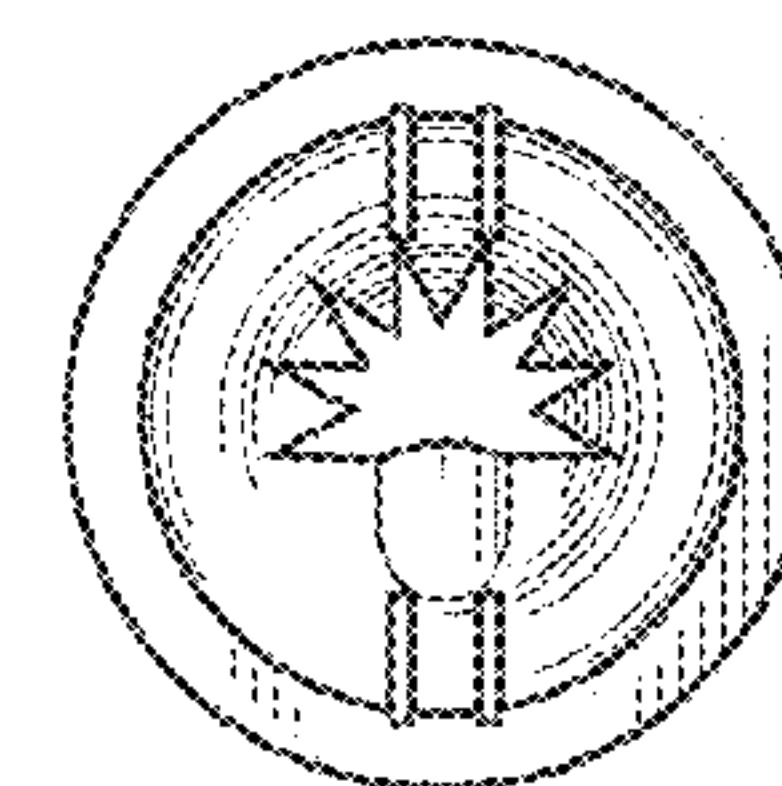


Figure 40

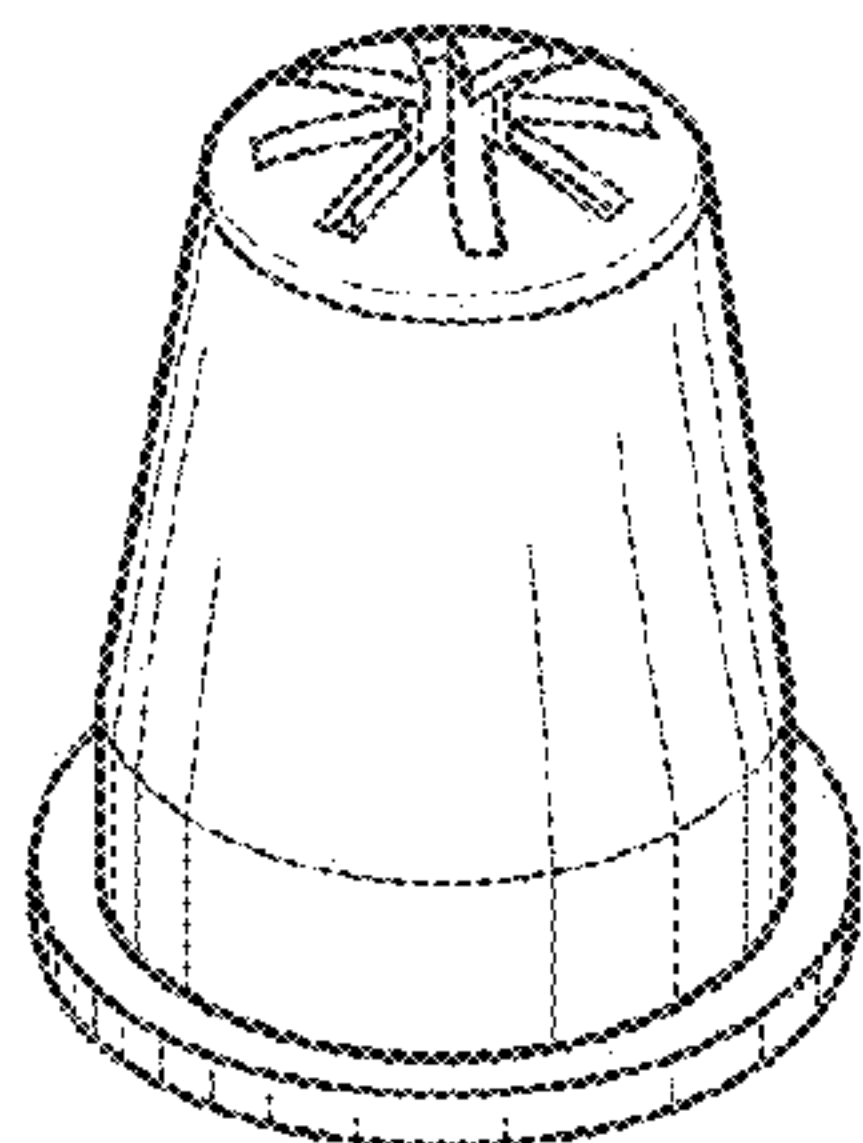


Figure 41

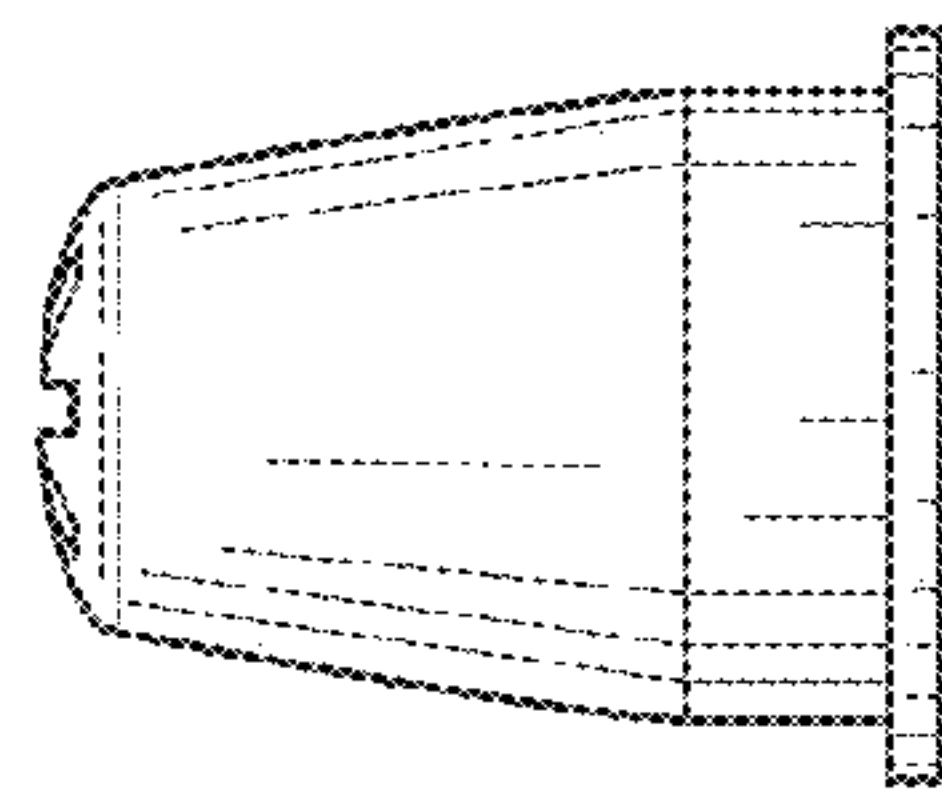


Figure 42

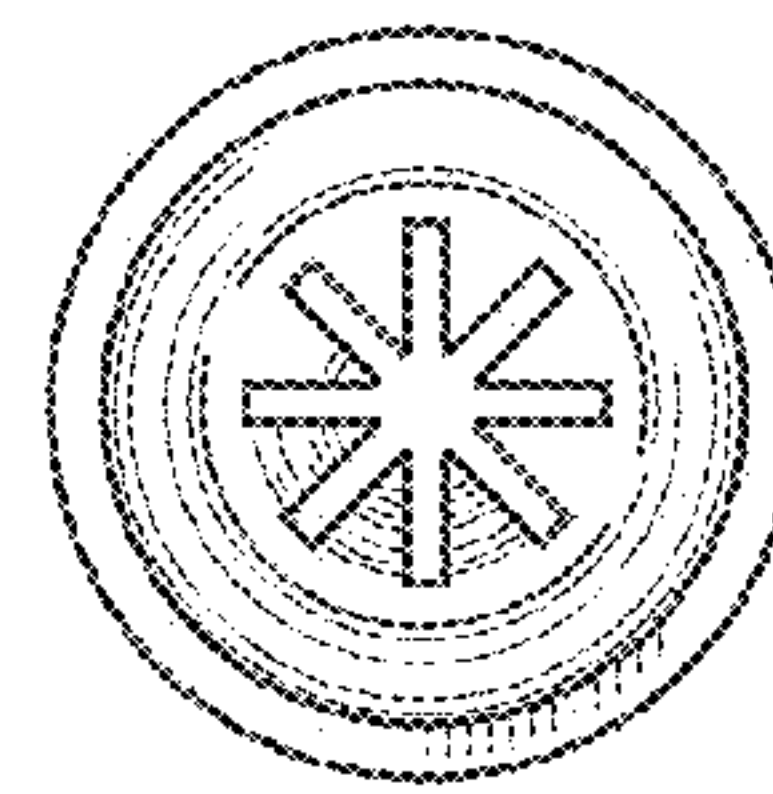


Figure 43

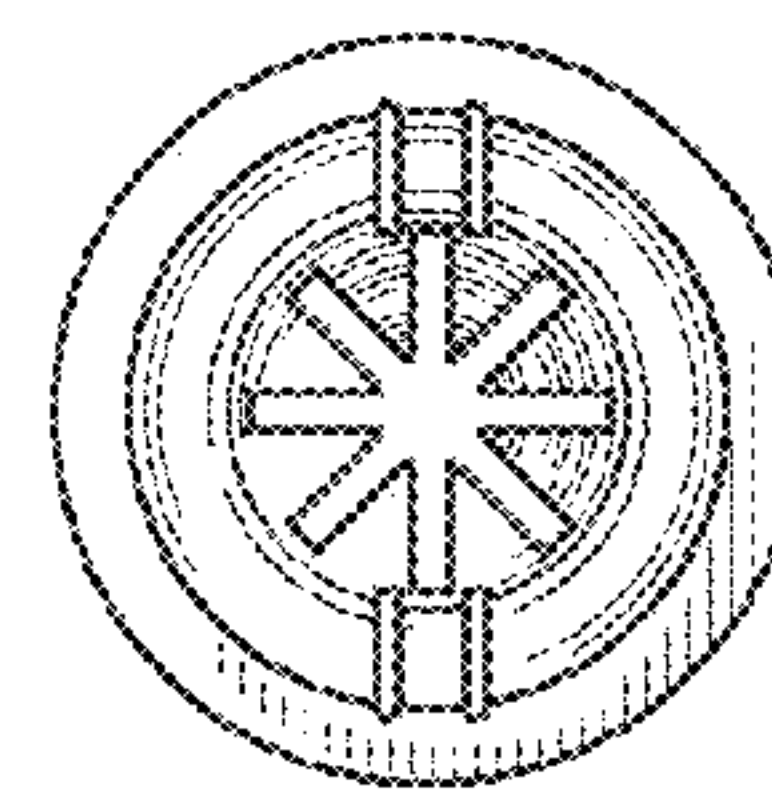


Figure 44