



US00D736552S

(12) **United States Design Patent**
Shen et al.

(10) **Patent No.:** **US D736,552 S**

(45) **Date of Patent:** **** Aug. 18, 2015**

(54) **BEVERAGE MACHINE**

(71) Applicants: **Jia-Sheng Shen**, Taipei (TW);
Yun-Zhong Chen, Taipei (TW);
Tzu-Ming Yang, Taipei (TW)

(72) Inventors: **Jia-Sheng Shen**, Taipei (TW);
Yun-Zhong Chen, Taipei (TW);
Tzu-Ming Yang, Taipei (TW)

(73) Assignee: **PEGATRON CORPORATION**, Taipei (TW)

(**) Term: **14 Years**

(21) Appl. No.: **29/491,802**

(22) Filed: **May 23, 2014**

(51) **LOC (10) Cl.** **07-01**

(52) **U.S. Cl.**
USPC **D7/306; D7/311; D7/309**

(58) **Field of Classification Search**
USPC D7/306-311, 305, 300, 313, 399, 398,
D7/397; 99/279, 284, 290, 280, 299, 307,
99/305, 295, 308, 309, 323.1, 395, 300;
222/23, 129.1; 62/395; D20/1;
D23/207, 209; D15/89
CPC A47J 31/44; A47J 31/00; B67D 1/0041;
B67D 3/00

See application file for complete search history.

(56) **References Cited**

U.S. PATENT DOCUMENTS

D340,832 S *	11/1993	Macchi	D7/306
D423,861 S *	5/2000	Graffius	D7/305
6,591,877 B1 *	7/2003	Graffius	141/360
D553,897 S *	10/2007	De' Longhi	D7/309
D568,913 S *	5/2008	Suh et al.	D15/89
D669,727 S *	10/2012	Pagano	D7/307
D706,567 S *	6/2014	Strayle	D7/309
D713,666 S *	9/2014	Van Baelen	D7/306
9,049,959 B2 *	6/2015	Jimenez et al.	1/1
2009/0241782 A1 *	10/2009	Van Dillen et al.	99/279

* cited by examiner

Primary Examiner — Marianne Pandozzi

(74) *Attorney, Agent, or Firm* — J.C. Patents

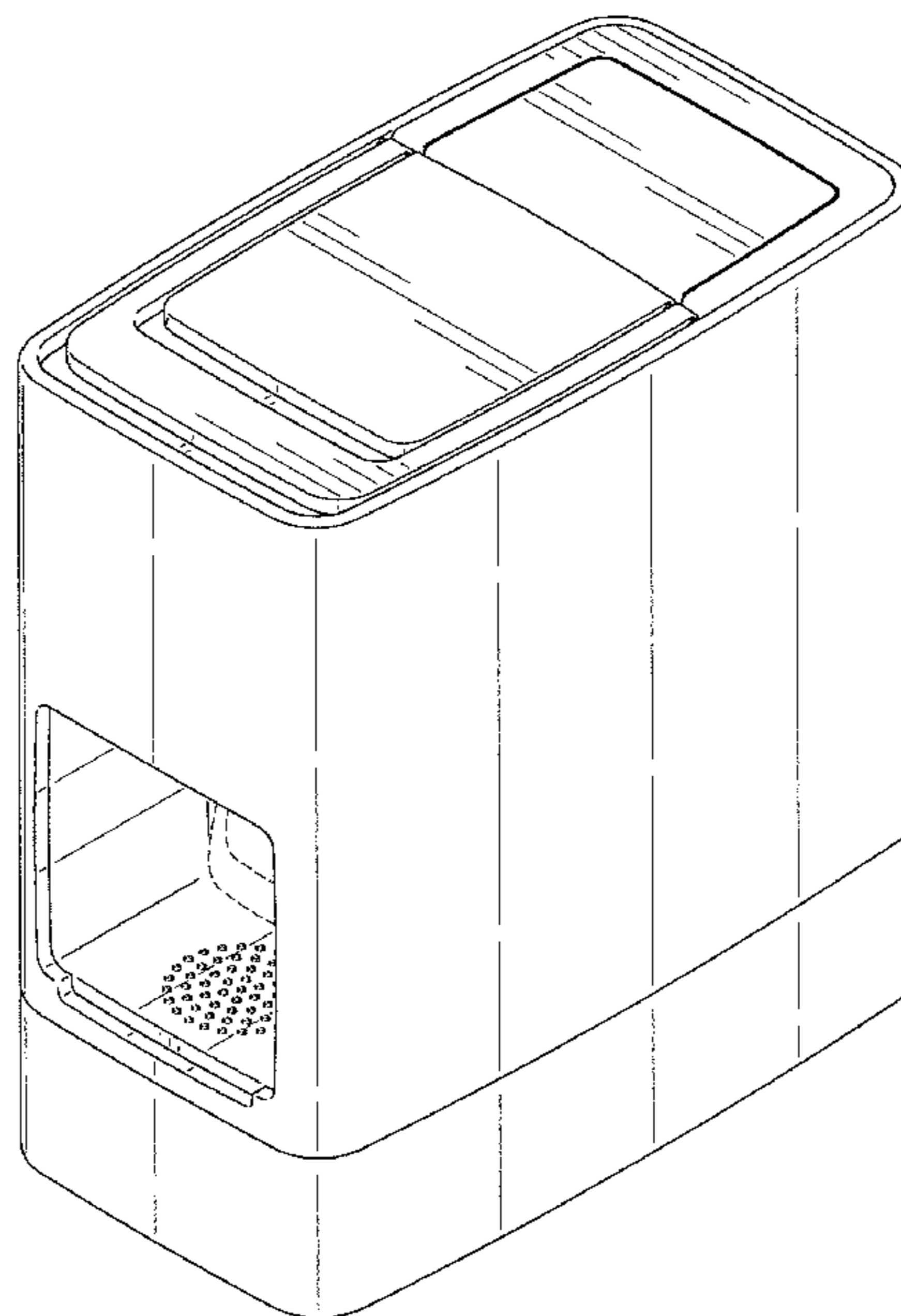
(57) **CLAIM**

The ornamental design for a beverage machine, as shown and described.

DESCRIPTION

FIG. 1 is a perspective view of a beverage machine showing our new design;
FIG. 2 is a front view thereof;
FIG. 3 is a rear view thereof;
FIG. 4 is a left view thereof;
FIG. 5 is a right view thereof;
FIG. 6 is a top view thereof;
FIG. 7 is a bottom view thereof;
FIG. 8 is a perspective view thereof in a first use state;
FIG. 9 is a perspective view thereof in a second use state; and,
FIG. 10 is an exploded perspective view of FIG. 8 with the bottom separated for ease of illustration.
The broken lines in the drawings are included for the purpose of illustration and form no part of the claimed design.

1 Claim, 10 Drawing Sheets



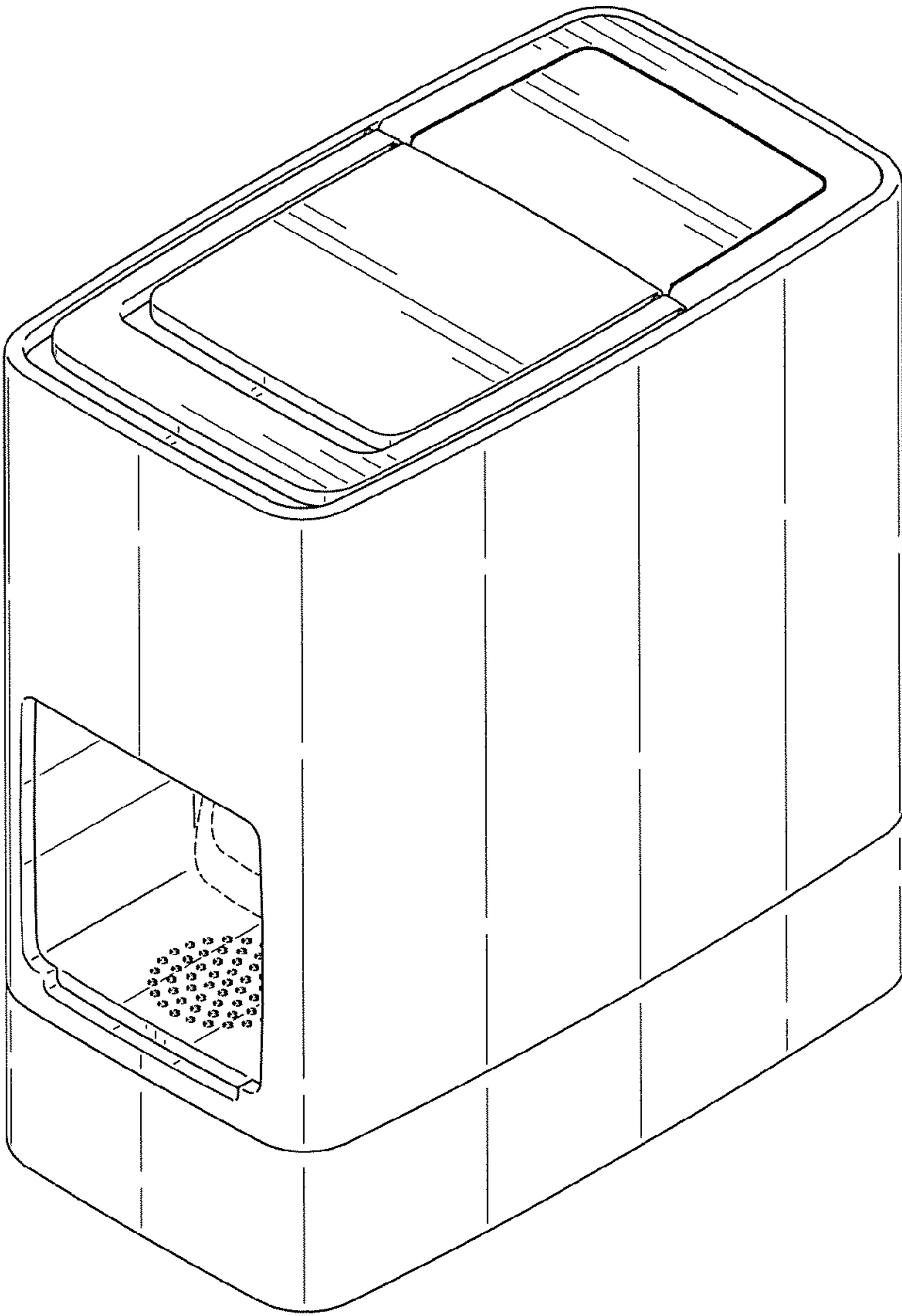


FIG. 1

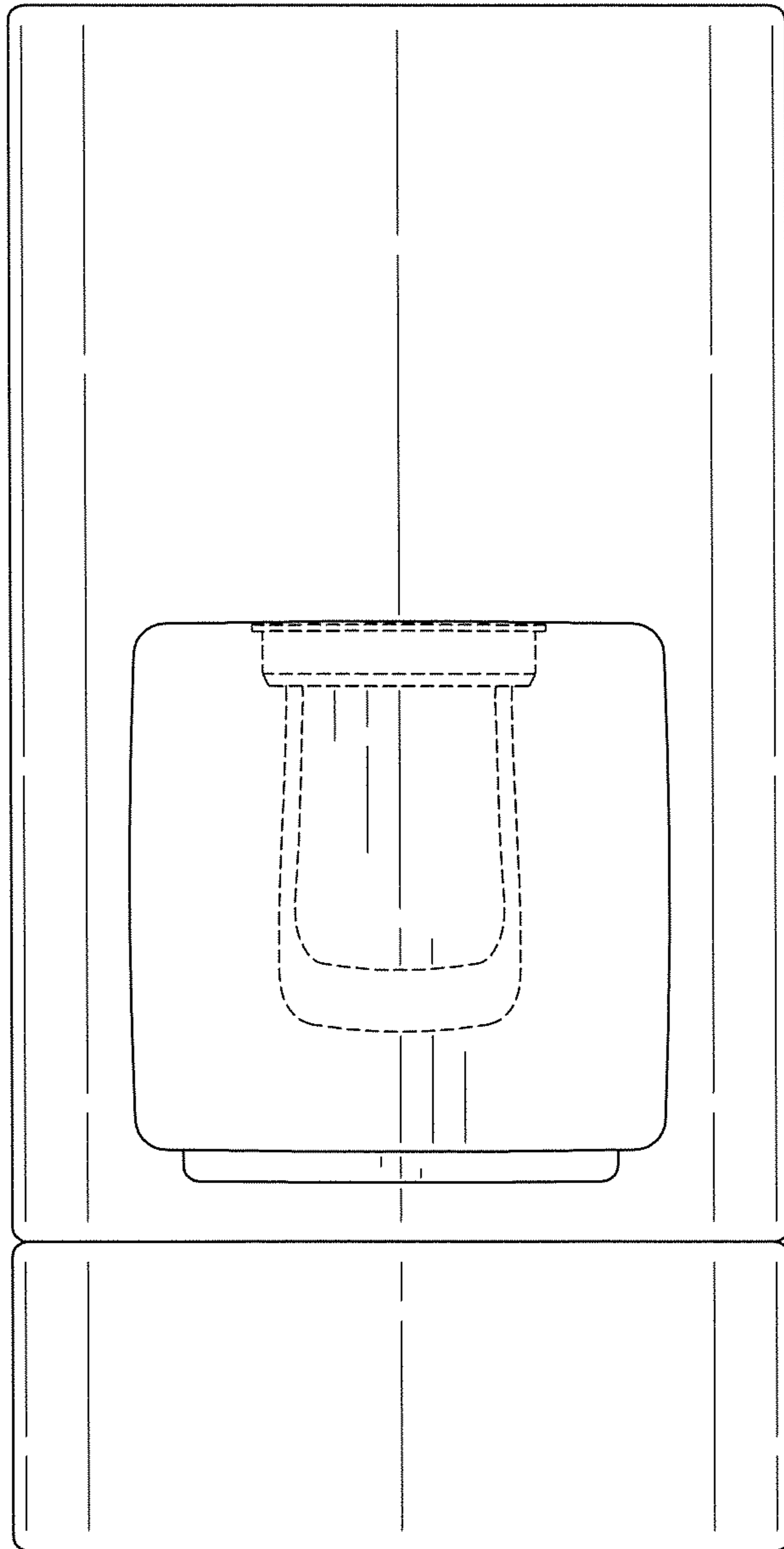


FIG. 2

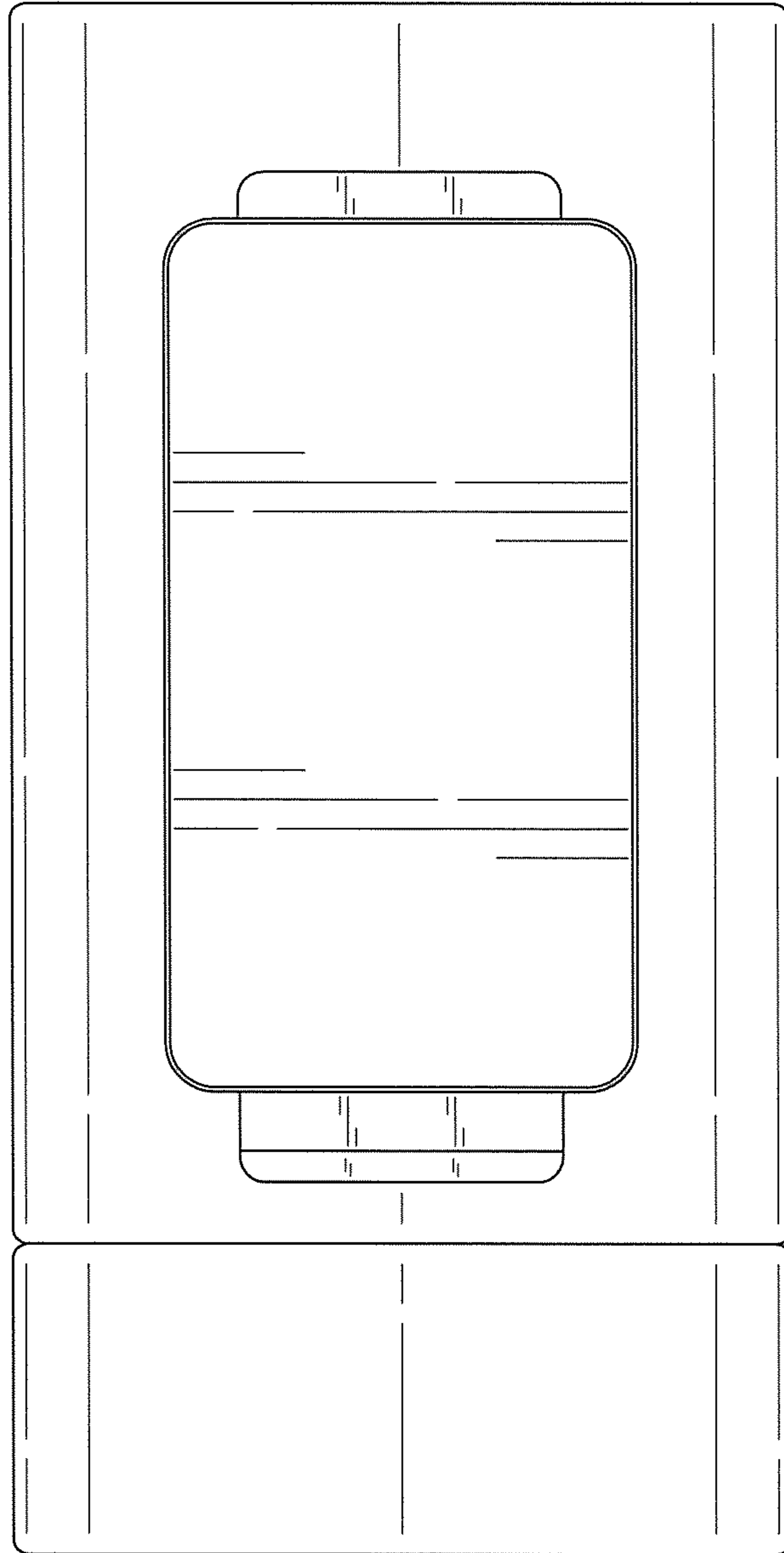


FIG. 3

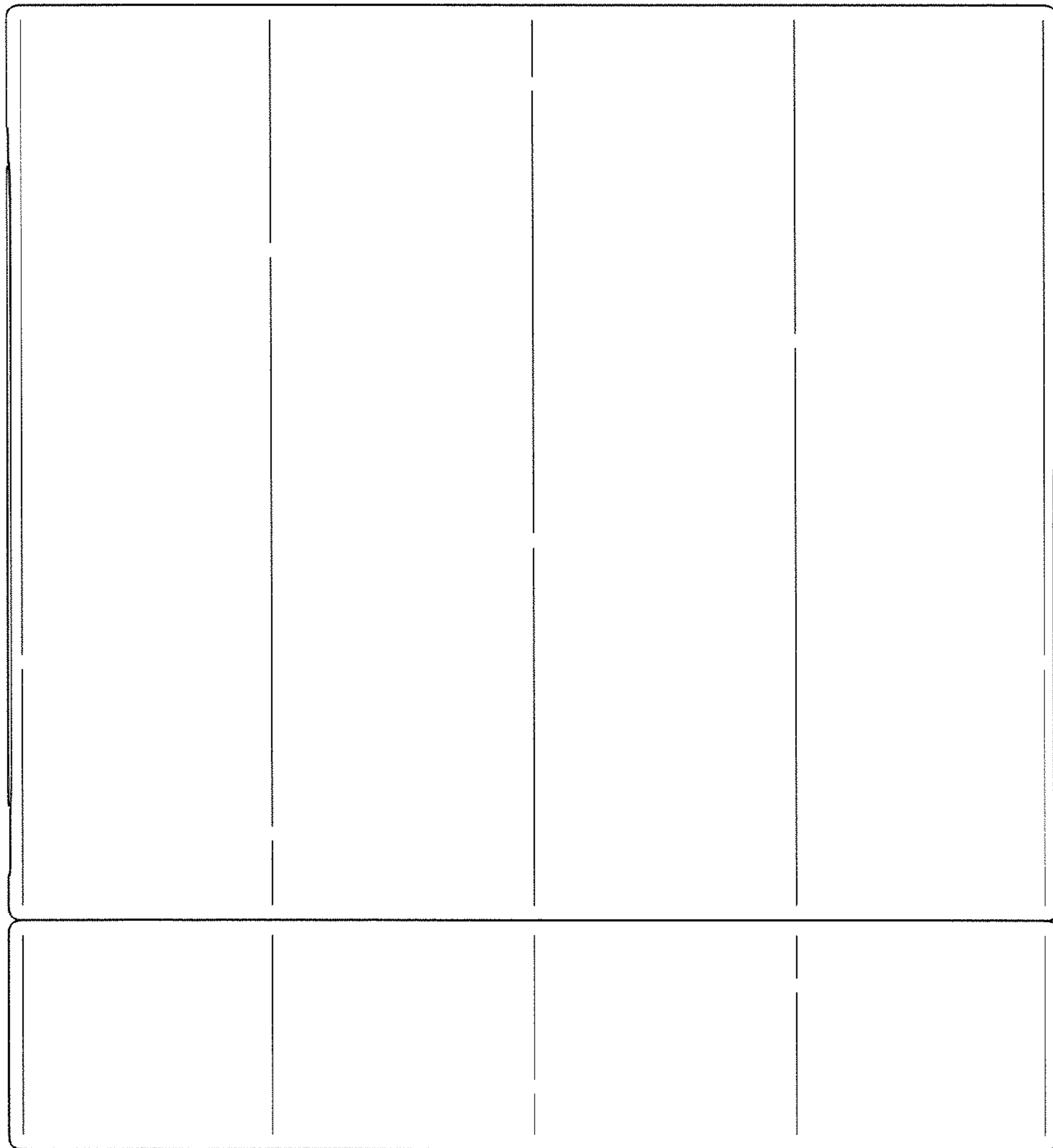


FIG. 4

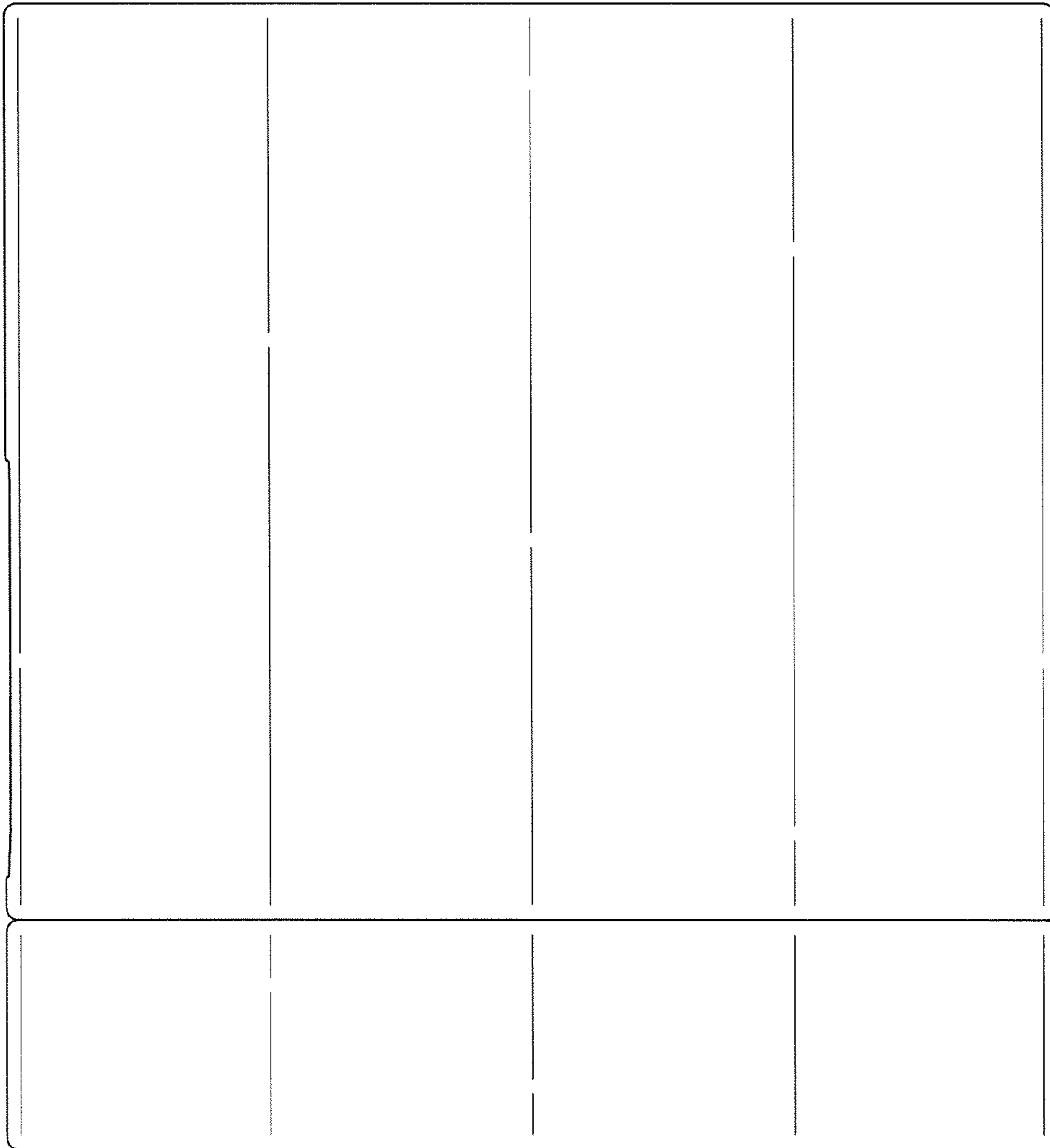


FIG. 5

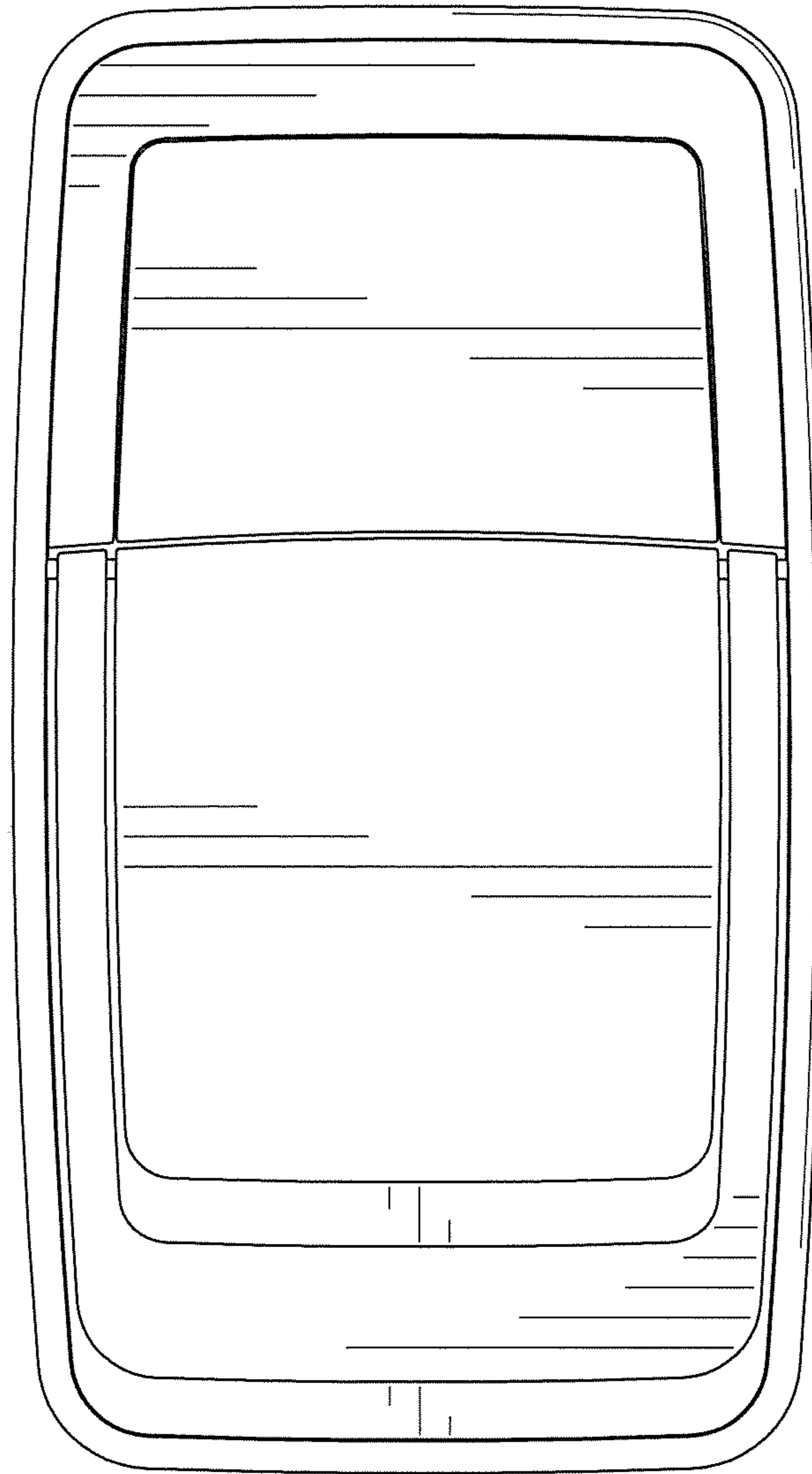


FIG. 6

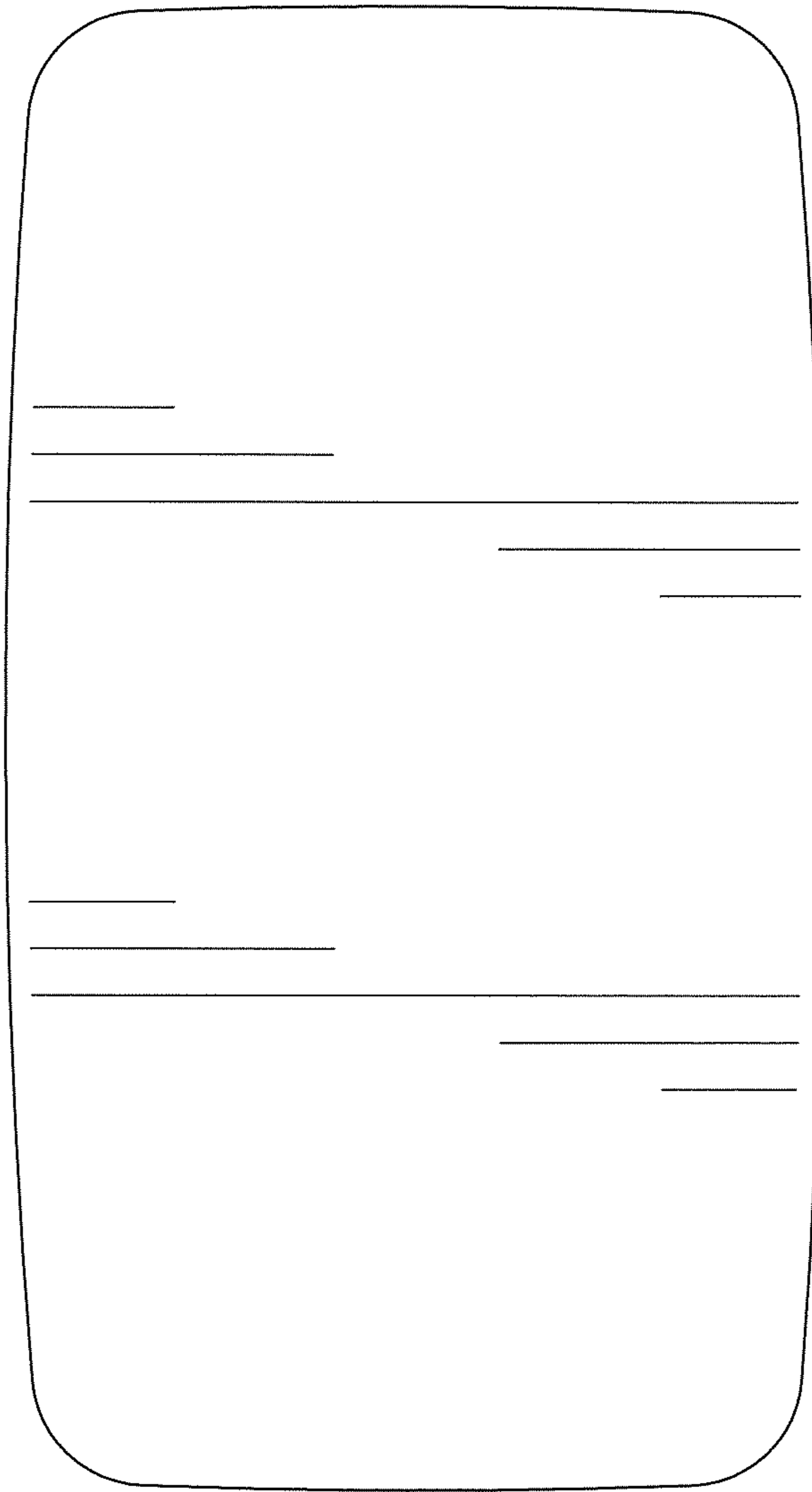


FIG. 7

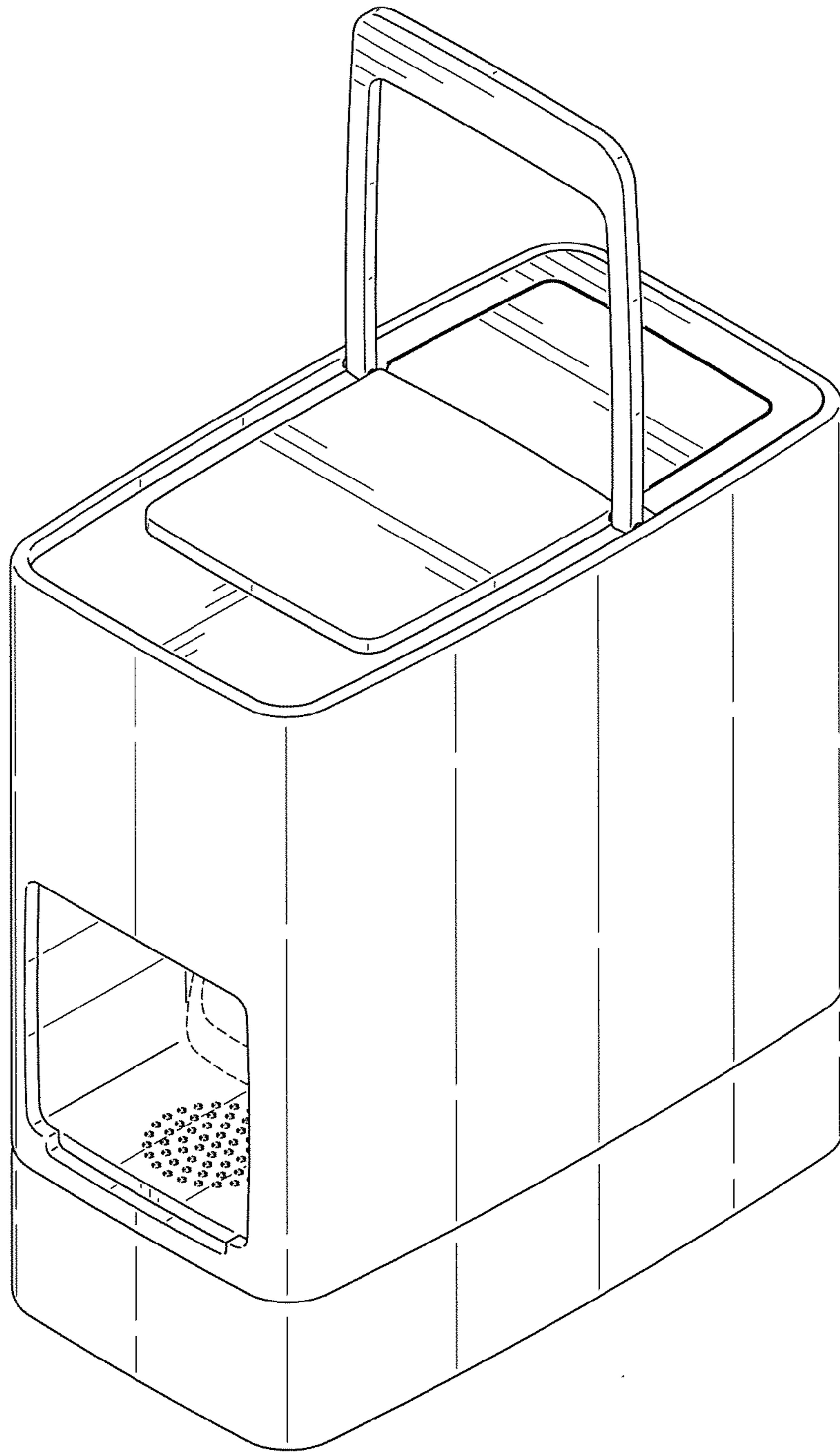


FIG. 8

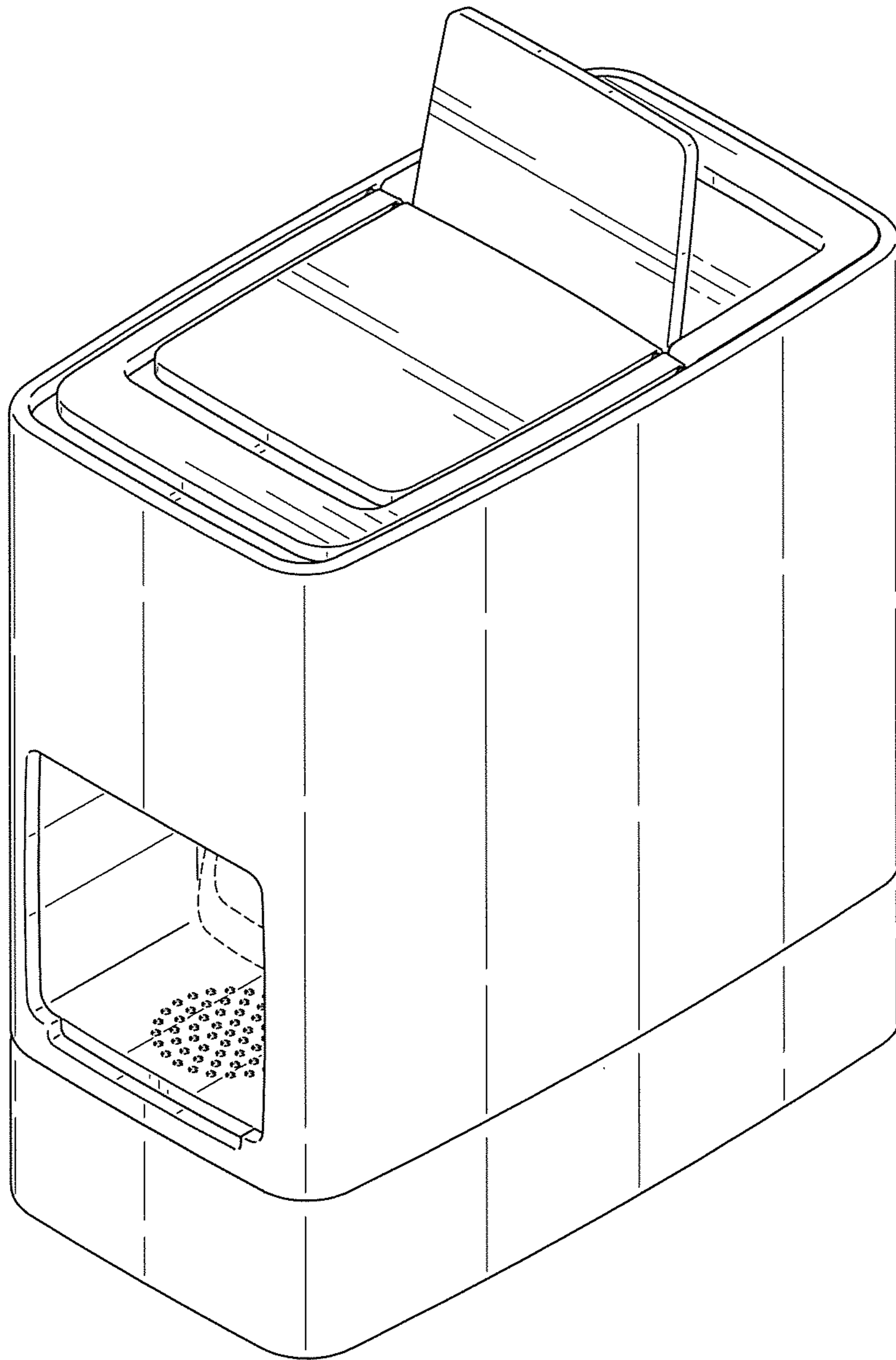


FIG. 9

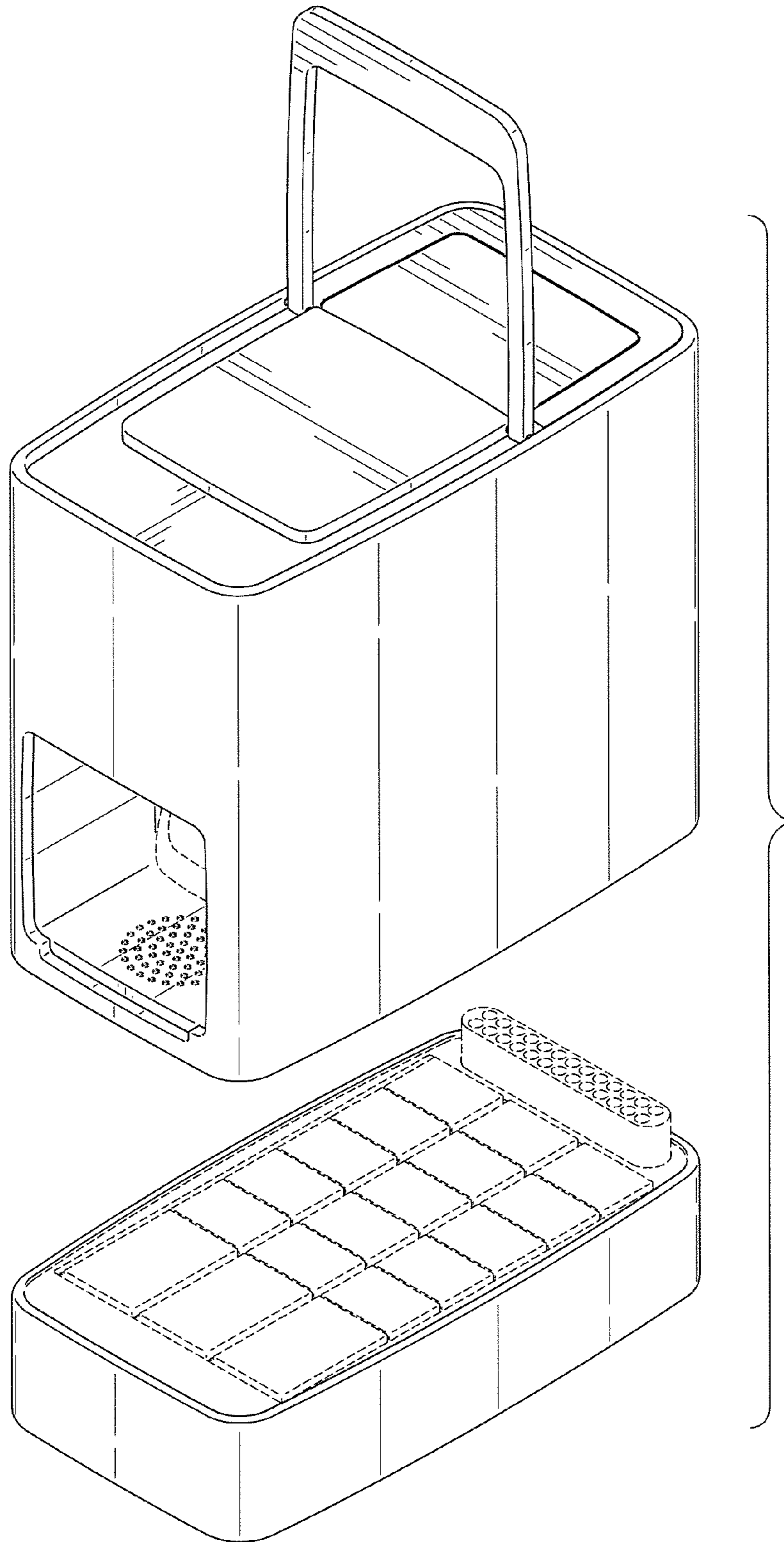


FIG. 10