



US00D736551S

(12) **United States Design Patent**
Lai et al.

(10) **Patent No.:** **US D736,551 S**

(45) **Date of Patent:** **** Aug. 18, 2015**

(54) **ELEVATING PART OF A CHAIR BACK**

(56) **References Cited**

(71) Applicants: **Yu-Shan Lai**, Chiayi (TW); **Yen-Chuan Lai**, Chiayi (TW)

U.S. PATENT DOCUMENTS

(72) Inventors: **Yu-Shan Lai**, Chiayi (TW); **Yen-Chuan Lai**, Chiayi (TW)

2,524,624	A *	10/1950	Cramer	297/291
4,043,592	A *	8/1977	Fries	297/291
4,749,230	A *	6/1988	Tornero	297/353
5,037,158	A *	8/1991	Crawford	297/353
5,597,204	A *	1/1997	Karaus, Jr.	297/353
5,951,107	A *	9/1999	Tornero	297/353
6,273,384	B1 *	8/2001	Hallmark et al.	248/297.31
6,315,362	B1 *	11/2001	Chuang	297/411.36
6,343,840	B1 *	2/2002	Chuang	297/411.36
8,579,376	B2 *	11/2013	Chen	297/353
8,960,799	B2 *	2/2015	Yoon	297/378.1

(**) Term: **14 Years**

(21) Appl. No.: **29/467,722**

(22) Filed: **Sep. 23, 2013**

* cited by examiner

(51) **LOC (10) Cl.** **06-01**

Primary Examiner — Ricky Pham

(52) **U.S. Cl.**
USPC **D6/716.7**

(74) *Attorney, Agent, or Firm* — Alan D. Kamrath; Kamrath IP Lawfirm, P.A.

(58) **Field of Classification Search**
 USPC D6/334–336, 360–381, 716,
 D6/716.1–716.4; 248/274.1, 297.21,
 248/297.31; 297/284.4, 286, 291,
 297/300.1–300.3, 353, 378.1, 383, 411.27,
 297/411.36, 440.2, 452.13, 452.19, 452.21,
 297/452.29, 452.3, 452.46, 452.56, 452.64
 CPC A47C 1/02; A47C 1/03; A47C 1/03255;
 A47C 1/03272; A47C 1/023; A47C 1/024;
 A47C 1/146; A47C 3/025; A47C 3/026;
 A47C 7/02; A47C 7/022; A47C 7/282;
 A47C 7/40; A47C 7/402; A47C 7/44; A47C
 7/46; A47C 7/441; A47C 7/443; A47C 7/54;
 B60N 2/64; B60N 2/66

(57) **CLAIM**

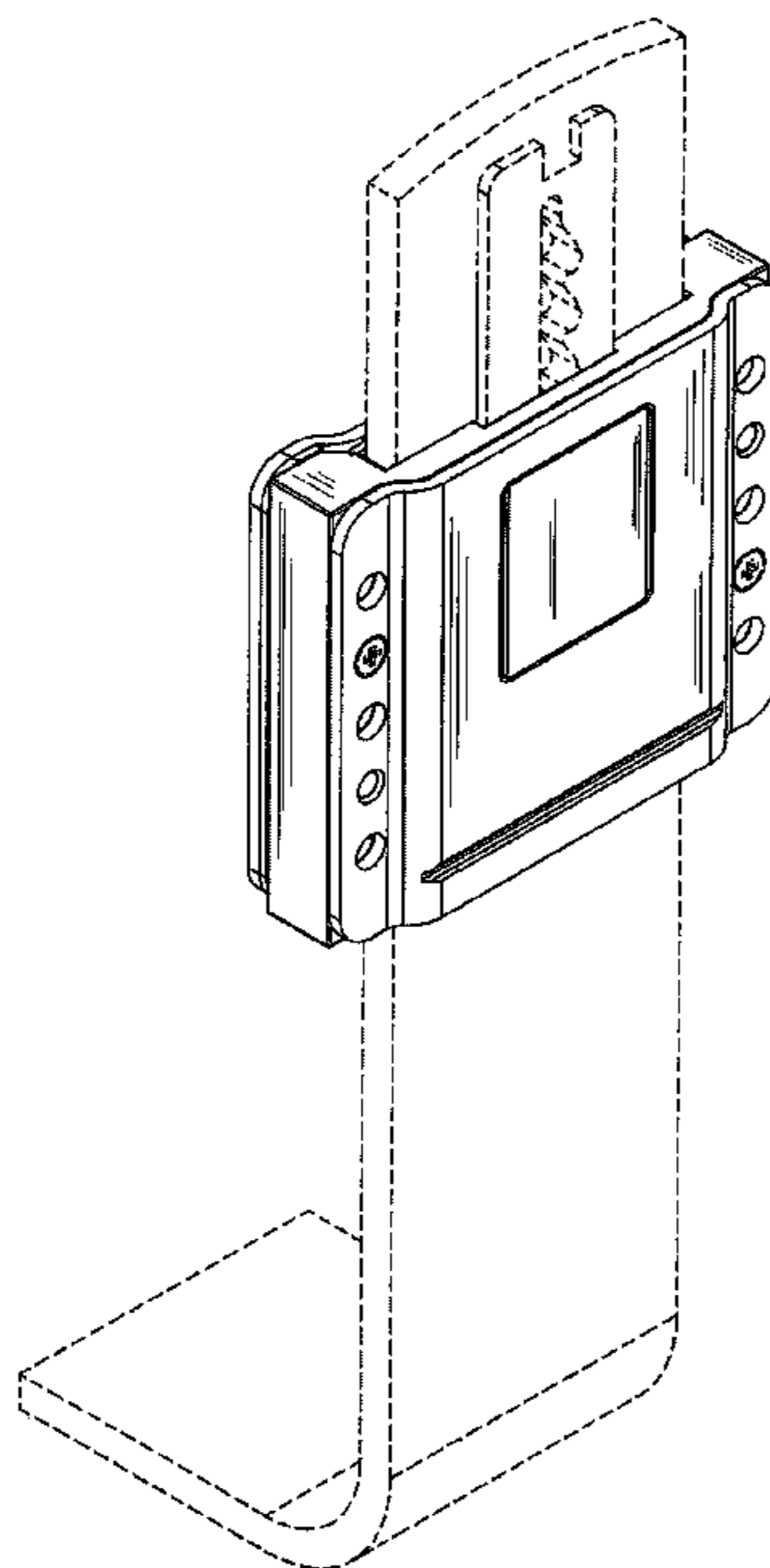
The ornamental design for an elevating part of a chair back, as shown and described.

DESCRIPTION

FIG. 1 is a perspective view of an elevating part of a chair back showing our new design;
 FIG. 2 is a front elevational view thereof;
 FIG. 3 is a rear elevational view thereof;
 FIG. 4 is a left side elevational view thereof;
 FIG. 5 is a right side elevational view thereof;
 FIG. 6 is a top plan view thereof;
 FIG. 7 is a bottom plan view thereof; and,
 FIG. 8 is a perspective view of an embodiment of an elevating part of a chair back.
 The broken lines shown in the drawing are for illustrative purposes only and form no part of the claimed design.

See application file for complete search history.

1 Claim, 7 Drawing Sheets



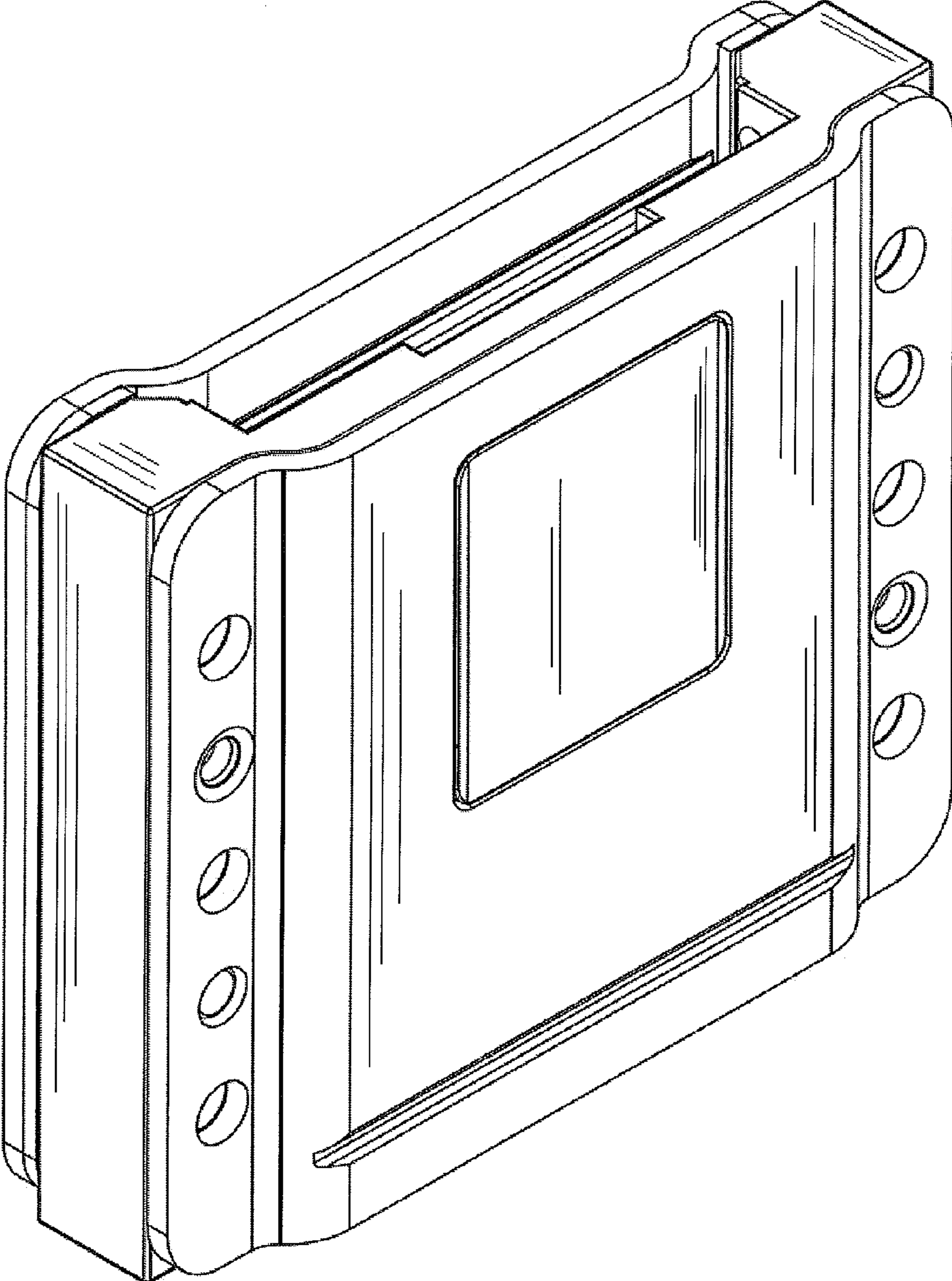


FIG. 1

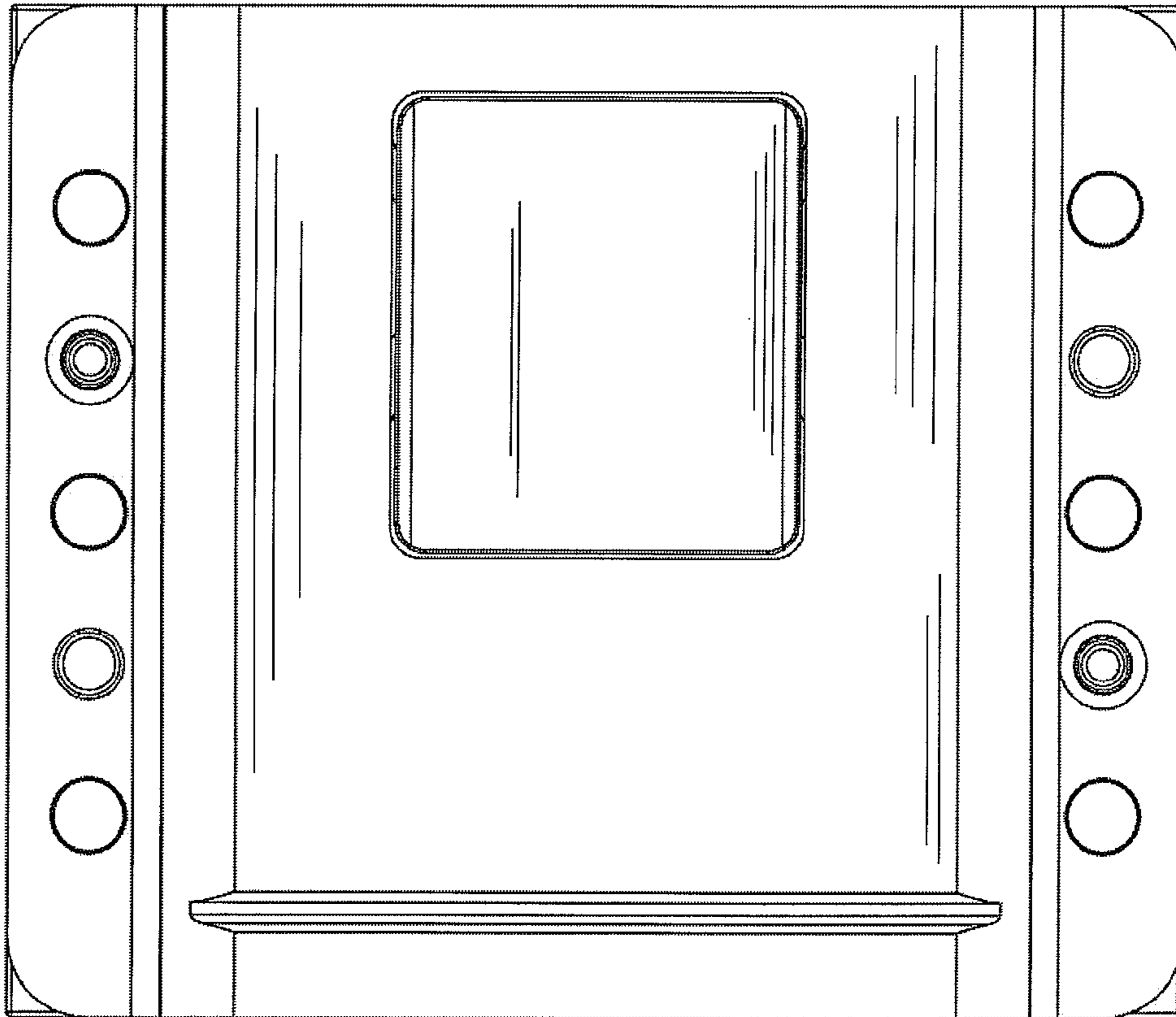


FIG. 2

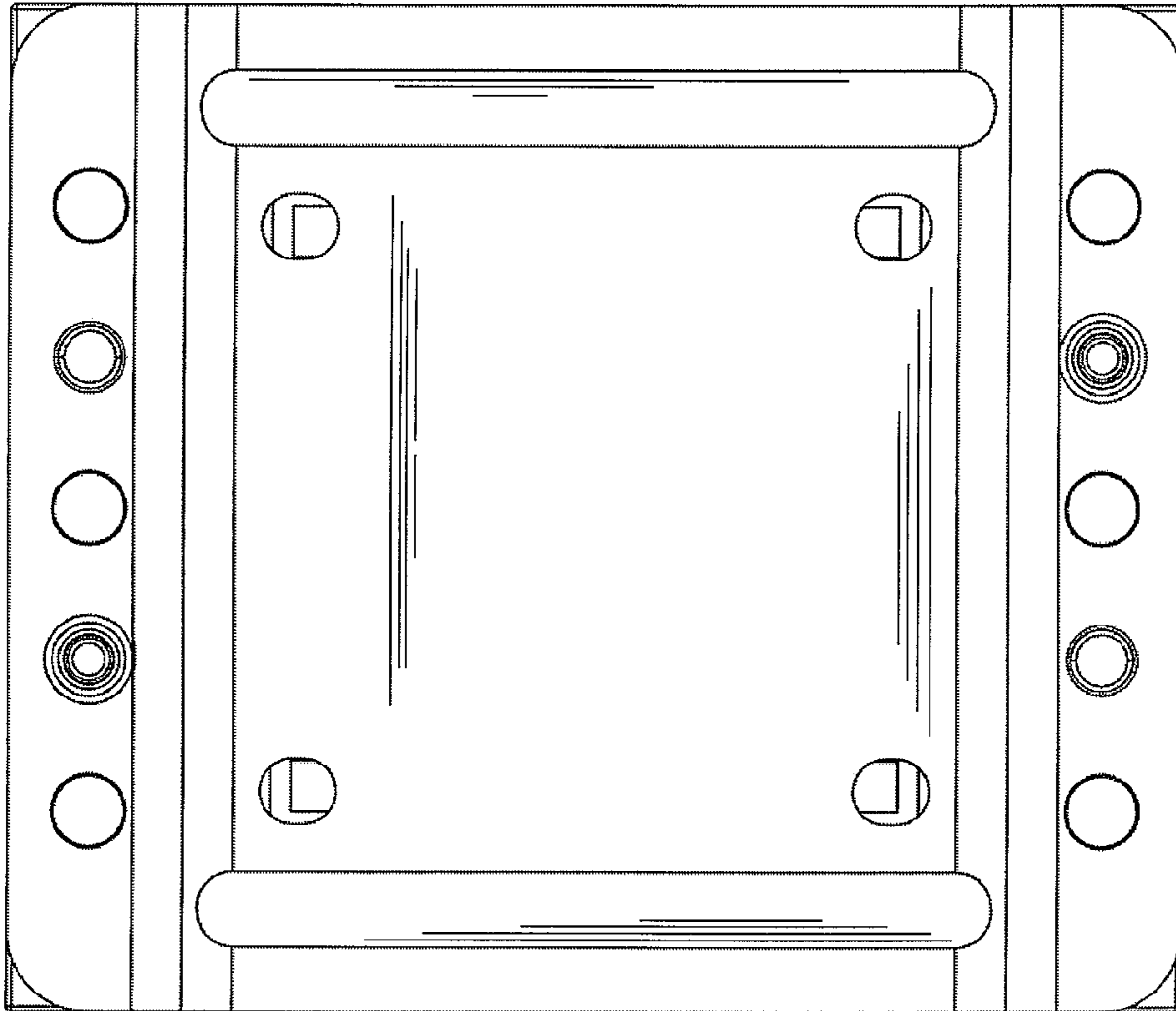


FIG. 3

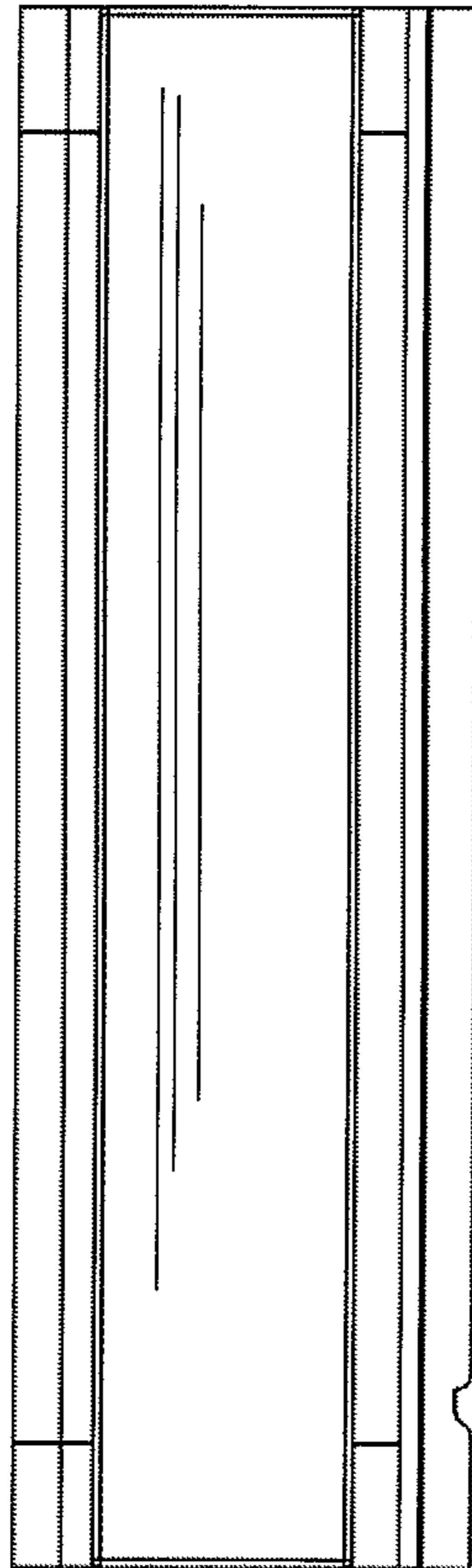


FIG. 4

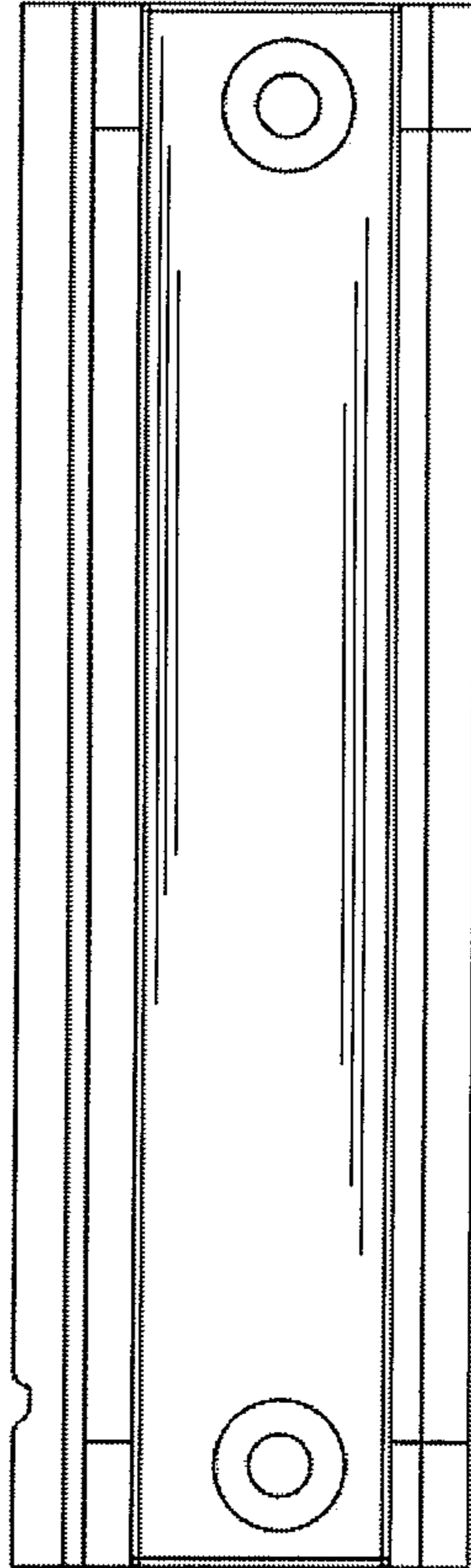


FIG. 5

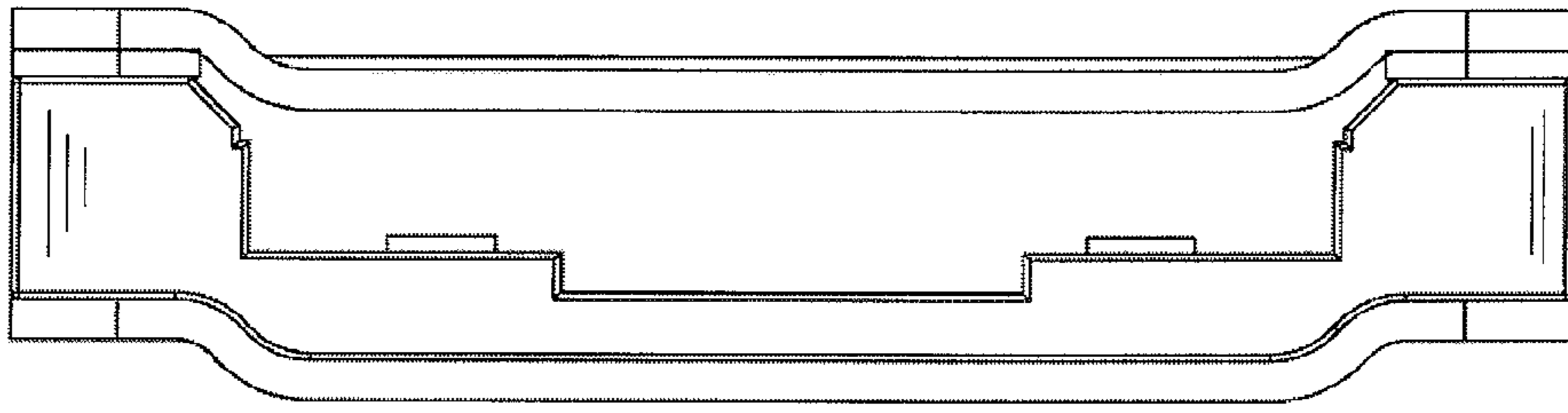


FIG. 6

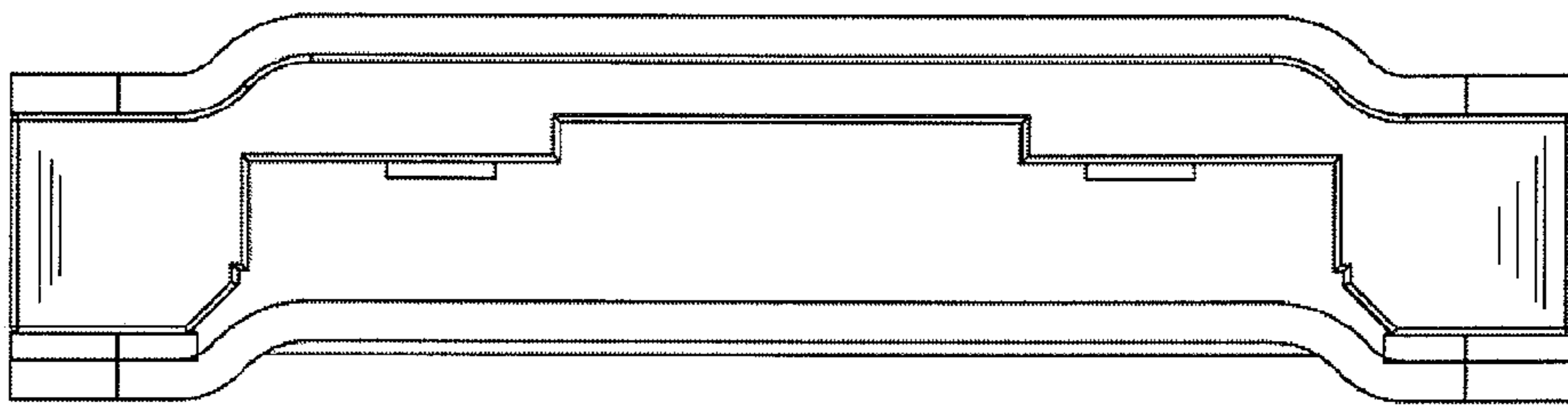


FIG. 7

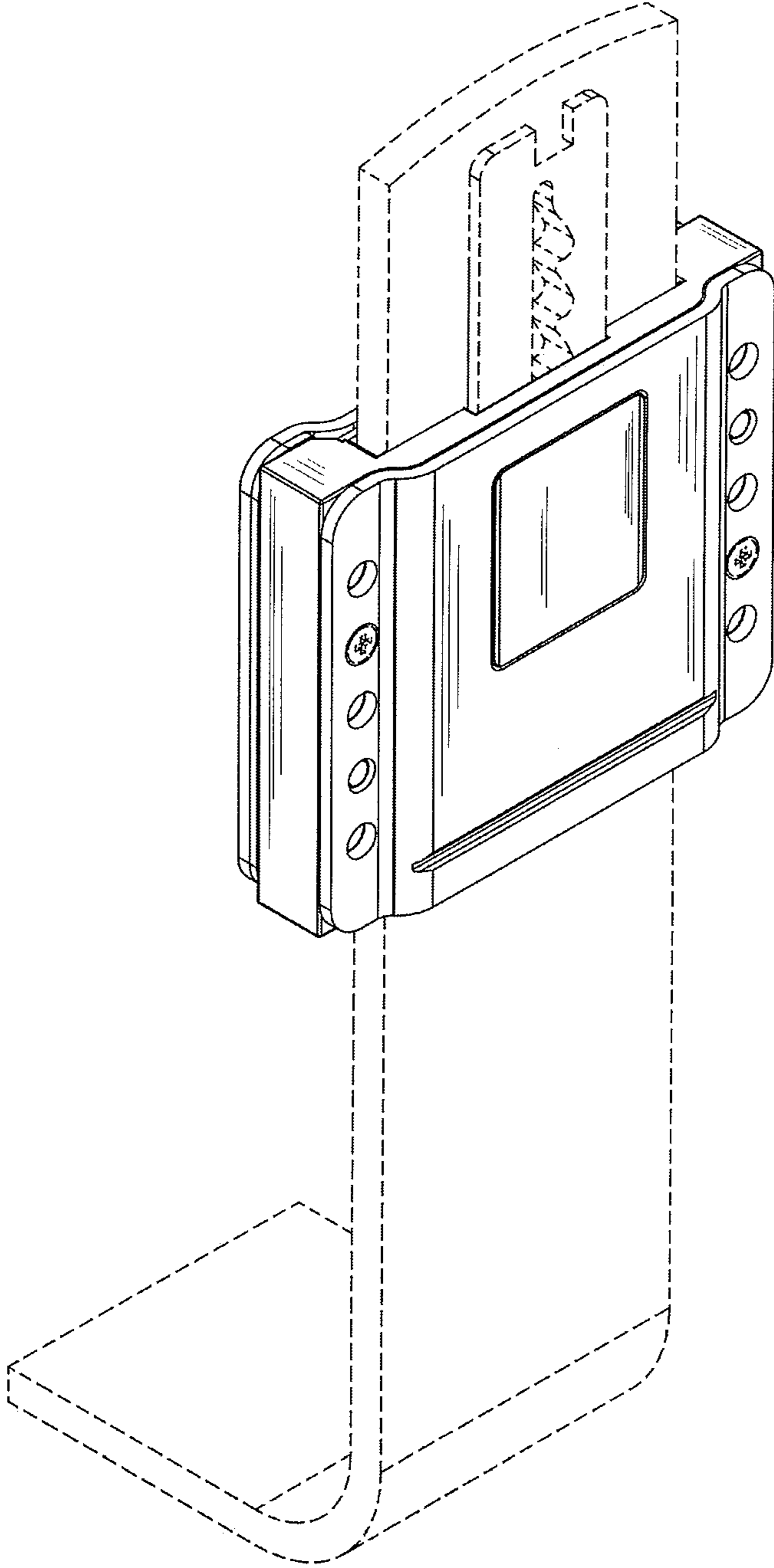


FIG. 8