

US00D736550S

(12) **United States Design Patent**
Yang

(10) **Patent No.:** **US D736,550 S**

(45) **Date of Patent:** **** Aug. 18, 2015**

(54) **TABLE LEG**

(71) Applicant: **Lei Yang**, City of Industry, CA (US)

(72) Inventor: **Lei Yang**, City of Industry, CA (US)

(73) Assignee: **FURNITURE OF AMERICA, INC.**,
City of Industry, CA (US)

(**) Term: **14 Years**

(21) Appl. No.: **29/463,393**

(22) Filed: **Nov. 8, 2013**

(51) **LOC (10) Cl.** **06-06**

(52) **U.S. Cl.**
USPC **D6/709**

(58) **Field of Classification Search**
USPC D6/708, 708.17, 709, 691.4, 692.3, 691,
D6/692
CPC A47B 7/00; A47B 2021/11; A47B 13/00;
A47B 13/04; A47B 13/10; A47B 2200/0003;
A47B 13/023; A47B 13/02

See application file for complete search history.

(56) **References Cited**

U.S. PATENT DOCUMENTS

D290,072 S *	6/1987	Winzeler, III	D6/486
D543,733 S *	6/2007	Muller	D6/495
D574,640 S *	8/2008	Muller	D6/495
D596,259 S *	7/2009	Deason	D21/783
D650,204 S *	12/2011	Muller	D6/495

* cited by examiner

Primary Examiner — Janice Seeger

(74) *Attorney, Agent, or Firm* — Raymond Y. Chan; David and Raymond Patent Firm

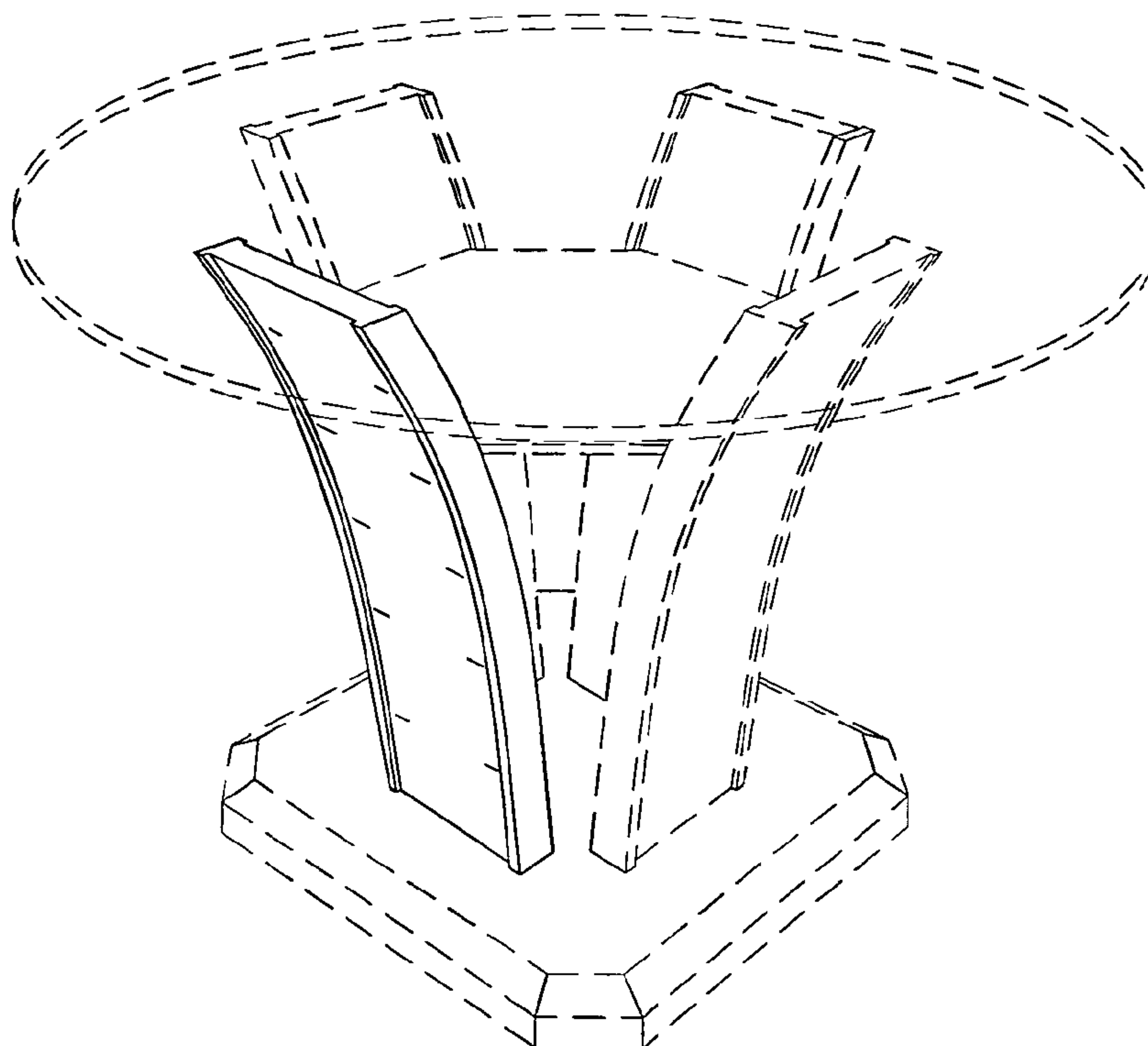
(57) **CLAIM**

The ornamental design for a table leg, as shown and described.

DESCRIPTION

FIG. 1 is a perspective view of table leg showing my new design.
FIG. 2 is a front view thereof.
FIG. 3 is a rear view thereof.
FIG. 4 is a left end view thereof.
FIG. 5 is a right view thereof.
FIG. 6 is a top view thereof; and,
FIG. 7 is a bottom view thereof.
The broken lines are for environmental purposes only and form no part of the claimed design.

1 Claim, 2 Drawing Sheets



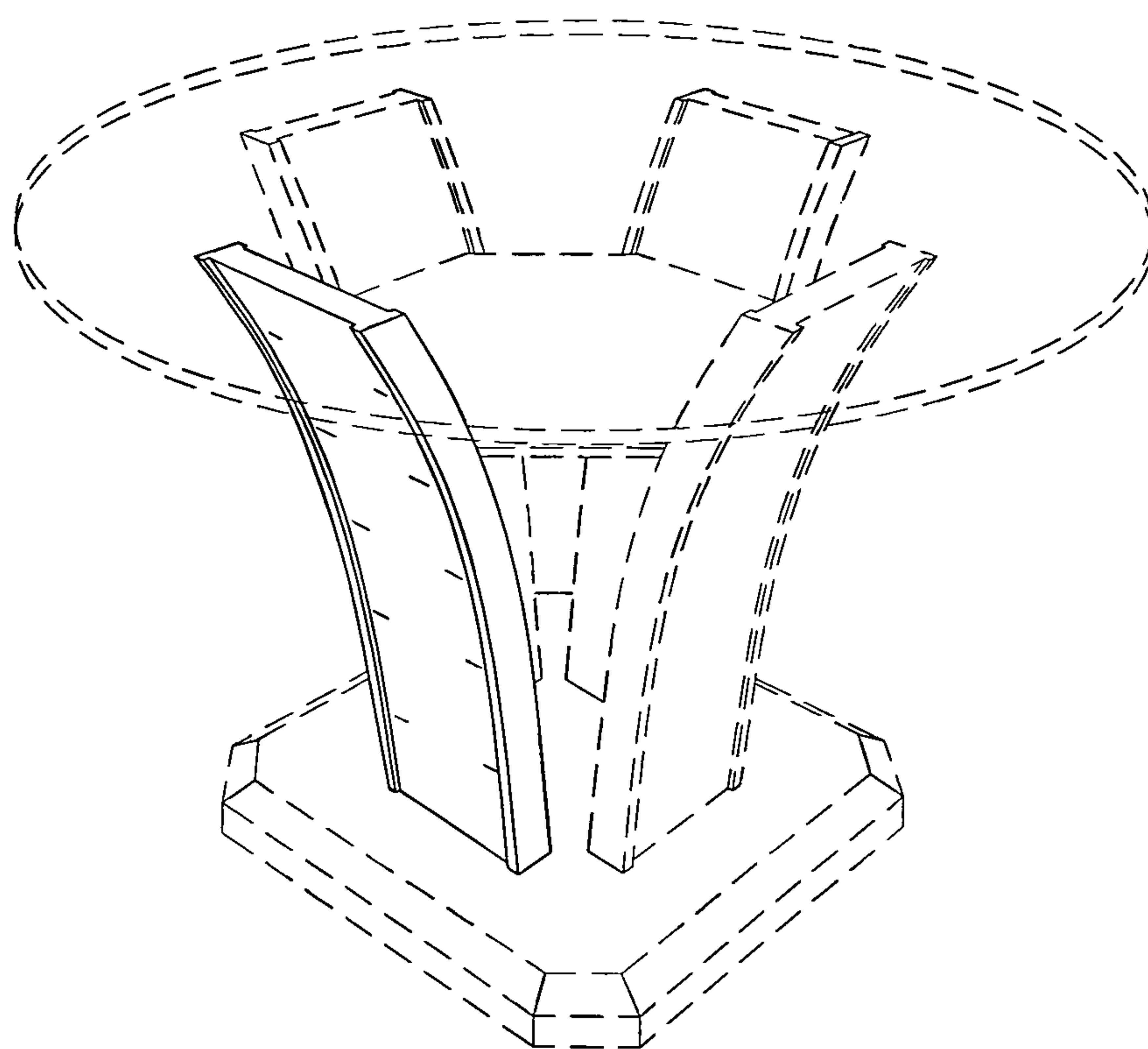


FIG.1

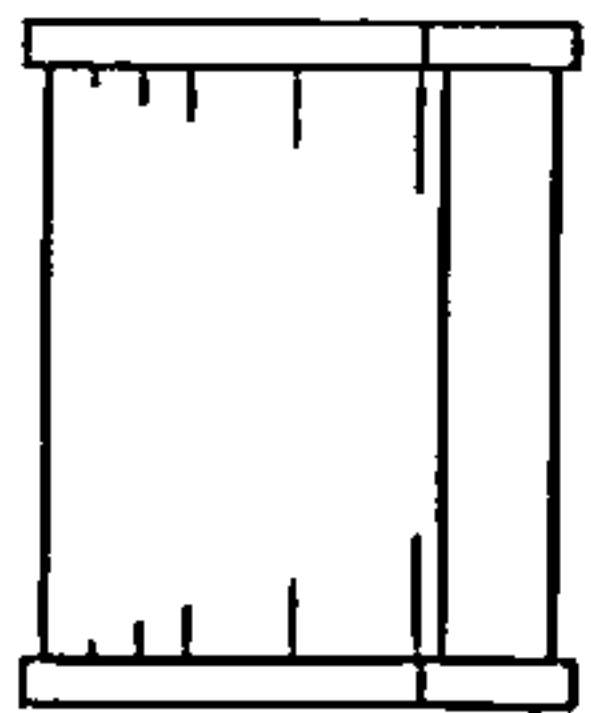


FIG. 6

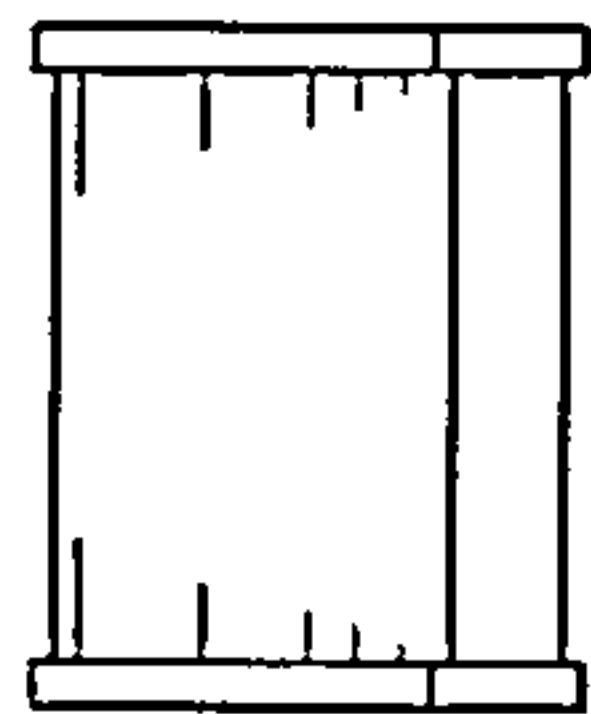


FIG. 7

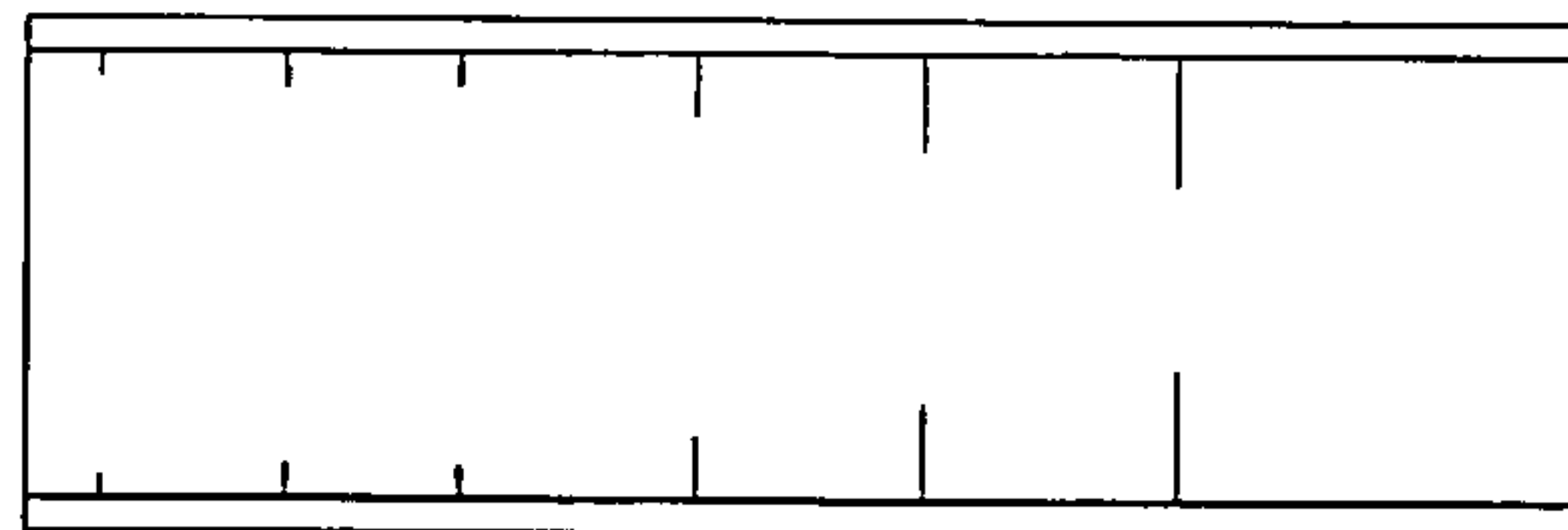


FIG. 2

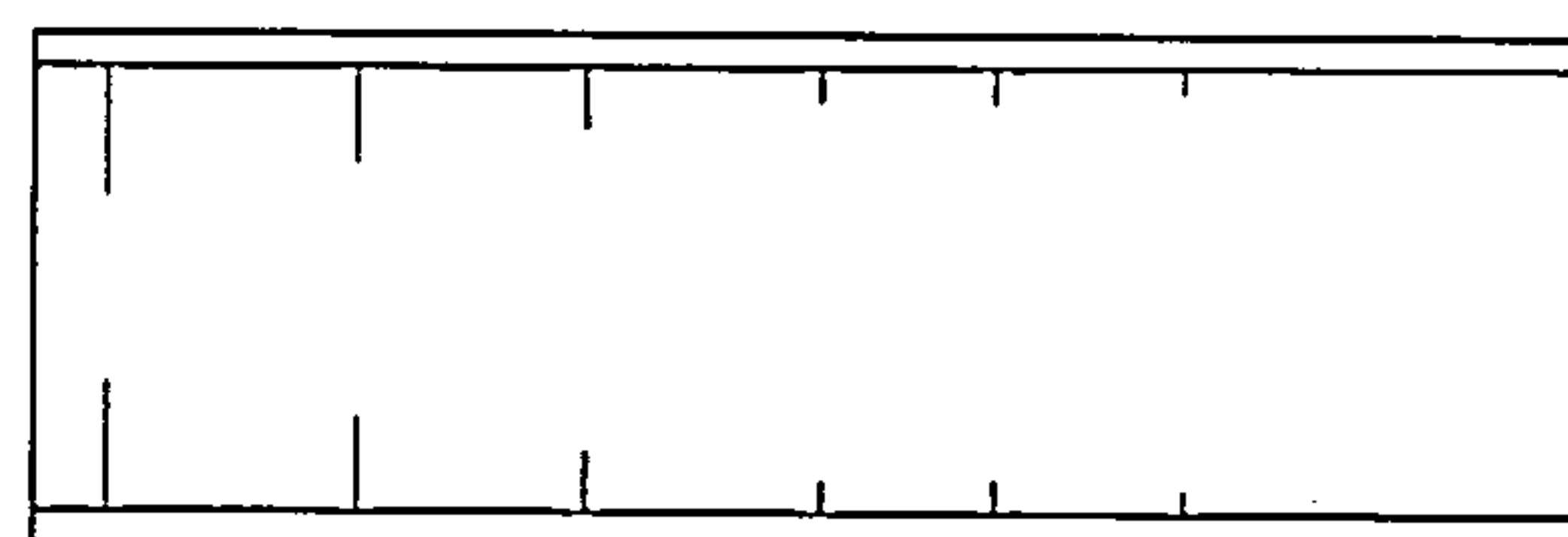


FIG. 3



FIG. 4



FIG. 5