

US00D736548S

(12) **United States Design Patent**  
**Hornsby**

(10) **Patent No.:** **US D736,548 S**

(45) **Date of Patent:** **\*\* Aug. 18, 2015**

(54) **GARMENT RAIL**

(71) Applicant: **THE GARMENT RAIL COMPANY LIMITED**, London (GB)

(72) Inventor: **Thomas Stephen Hornsby**, London (GB)

(73) Assignee: **THE GARMENT RAIL COMPANY LIMITED**, London (GB)

(\*\*) Term: **14 Years**

(21) Appl. No.: **29/462,132**

(22) Filed: **Jul. 31, 2013**

(30) **Foreign Application Priority Data**

Feb. 1, 2013 (EP) ..... 002177279-0001

(51) **LOC (10) Cl.** ..... **06-08**

(52) **U.S. Cl.**  
USPC ..... **D6/681.1**

(58) **Field of Classification Search**  
USPC ..... D6/681, 681.1, 681.2, 681.3, 315, 317,  
D6/319, 320, 322, 309, 567; 211/85.3,  
211/204, 206, 201; 131/151  
CPC ..... A47F 5/0006; A47F 5/0001  
See application file for complete search history.

(56) **References Cited**

**U.S. PATENT DOCUMENTS**

1,661,667	A *	3/1928	Mallach	.....	135/151
2,533,324	A *	12/1950	Mendle	.....	211/206
2,793,764	A *	5/1957	Stork	.....	211/204
2,893,568	A *	7/1959	Scholz	.....	211/204
5,617,962	A *	4/1997	Chen	.....	211/206
D387,231	S *	12/1997	Turcotte	.....	D6/552
D466,331	S *	12/2002	Chang	.....	D6/411

D470,340	S *	2/2003	Andersen et al.	.....	D6/479
6,745,909	B1 *	6/2004	Lai	.....	211/206
7,077,277	B2 *	7/2006	Wang	.....	211/206
2007/0272642	A1 *	11/2007	Baptiste	.....	211/201
2012/0074082	A1 *	3/2012	Hornsby	.....	211/85.3

**OTHER PUBLICATIONS**

Single Rail R589 Clothing Rail, announced Aug. 10, 2007, [online], [site visited Sep. 19, 2014]. Available from Internet, <URL: <http://www.clothingrails.co.za/products.htm>.\*

Clothes Rail 20001, announced Nov. 6, 2011, [online], [site visited Sep. 21, 2014]. Available from Internet, <URL: <http://www.valentinosdisplays.com/Clothes-Rail-3FT-Wide-Black-with-2-Inch-Castors-p-1.html>.\*

New Super Robust Garment Rail Model bCGR-2, announced Jul. 18, 2012, [online], [site visited Sep. 24, 2014]. Available from Internet, <URL: <http://www.crowndisplay.co.uk/garment-displays/garment-display-rails/strong-new-strong-super-robust-garment-rail>.\*

\* cited by examiner

*Primary Examiner* — Cathron Brooks

*Assistant Examiner* — Catherine Posthauer

(74) *Attorney, Agent, or Firm* — Nixon & Vanderhye P.C.

(57) **CLAIM**

The ornamental design for a garment rail, as shown and described.

**DESCRIPTION**

FIG. 1 is a perspective view of a garment rail according to my new ornamental design;

FIG. 2 is a left side view thereof, with the right side view being a mirror image thereof;

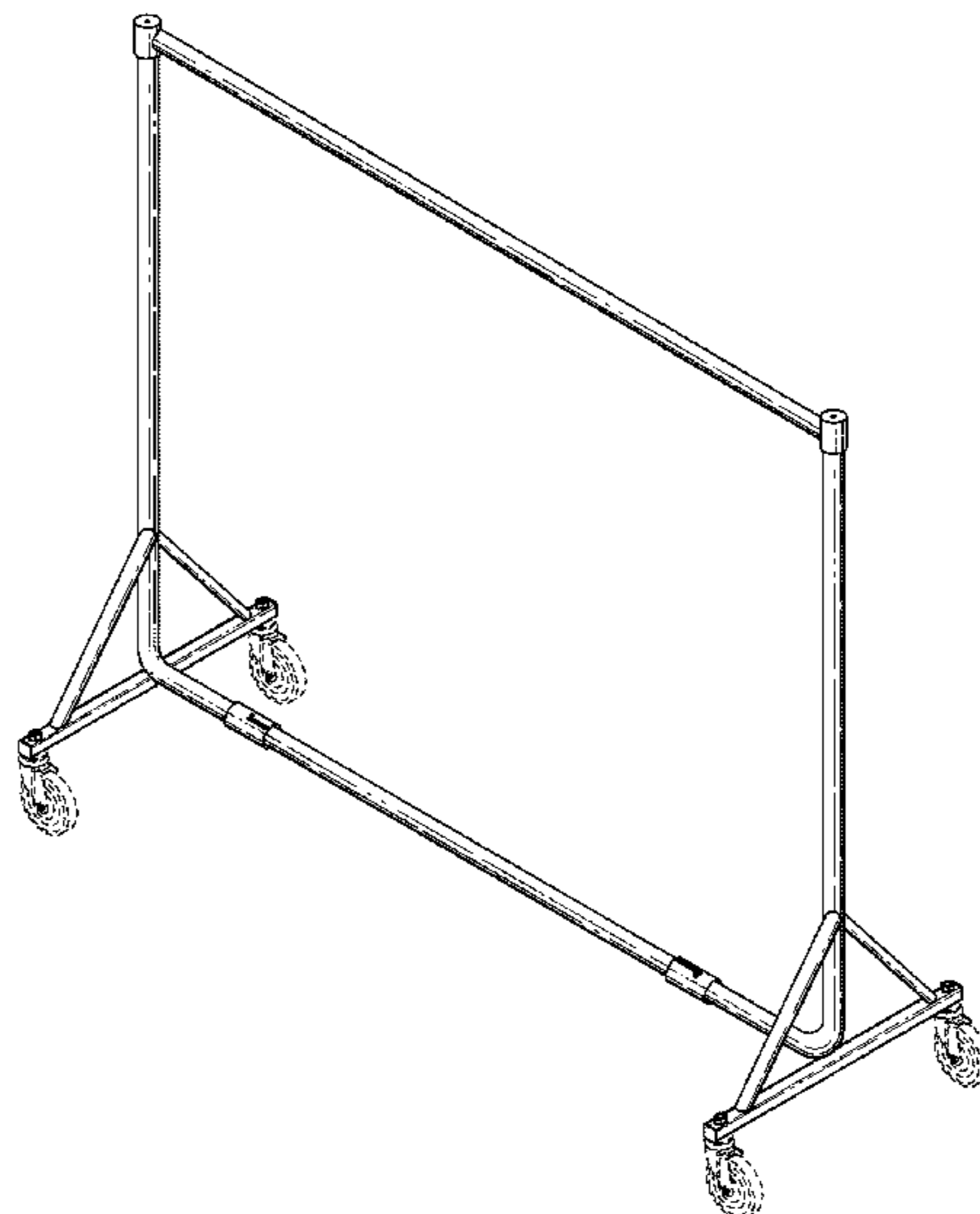
FIG. 3 is a front view thereof thereof;

FIG. 4 is a rear view thereof; and,

FIG. 5 is a top view thereof.

The broken lines represent environment or structure and form no part of the claimed design.

**1 Claim, 5 Drawing Sheets**



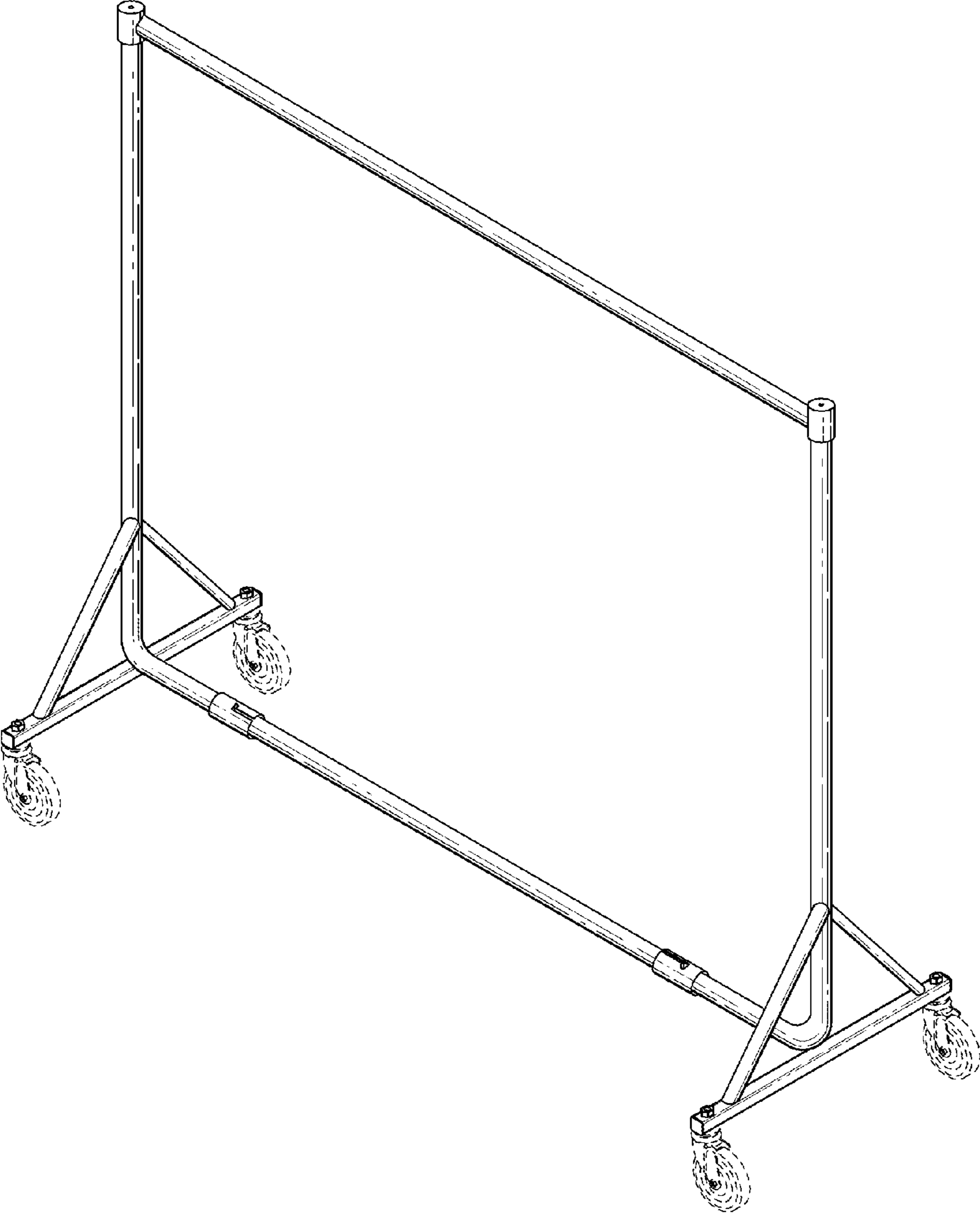


FIG. 1

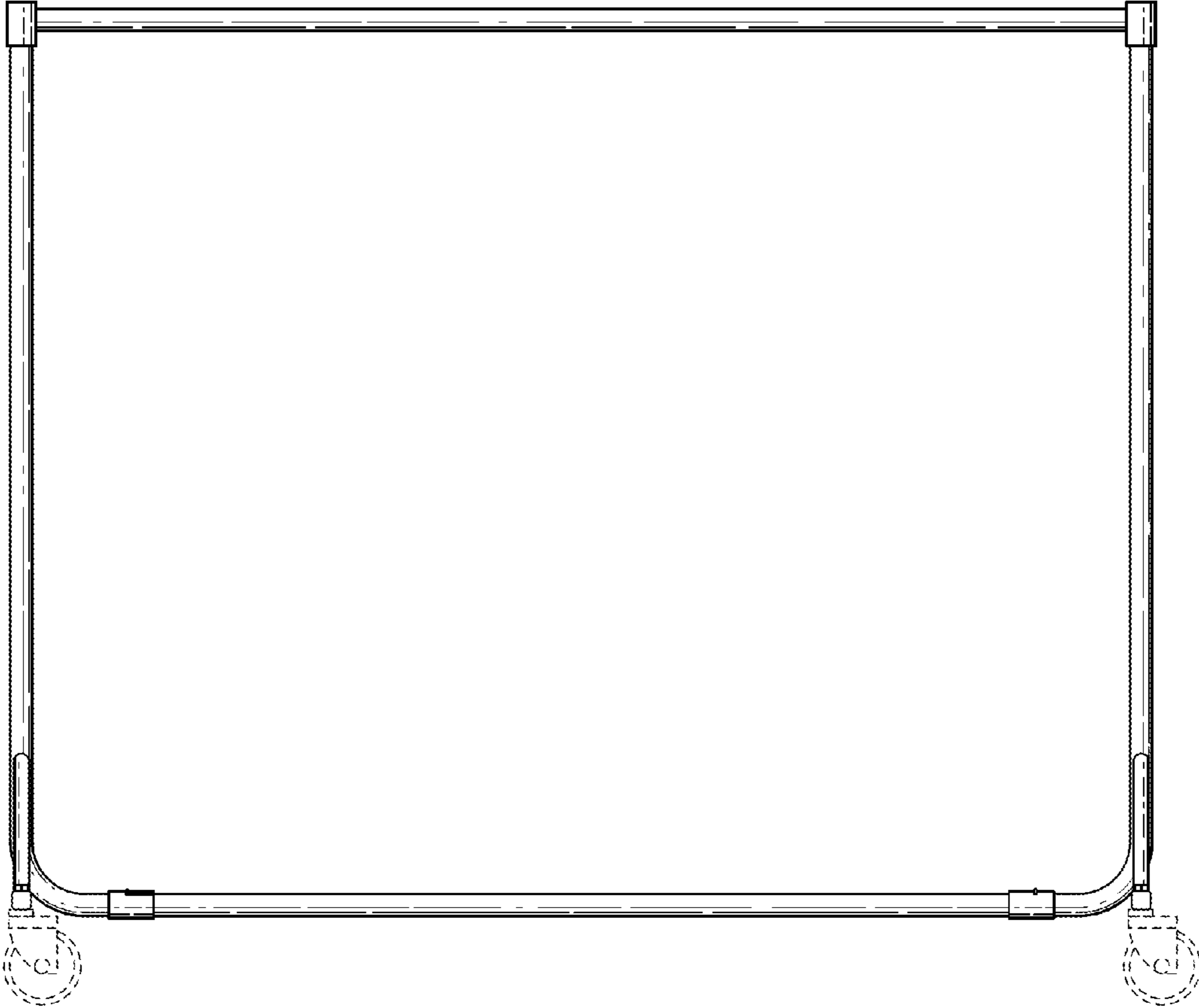


FIG. 2

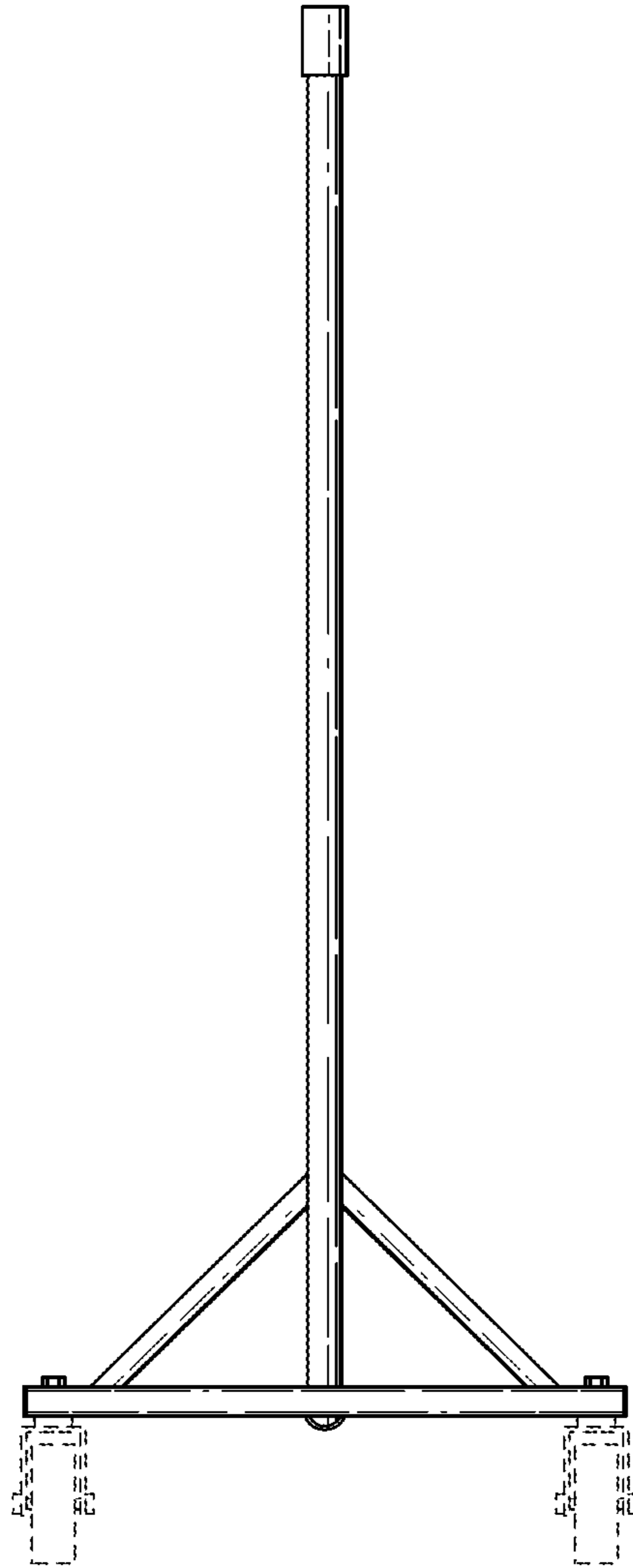
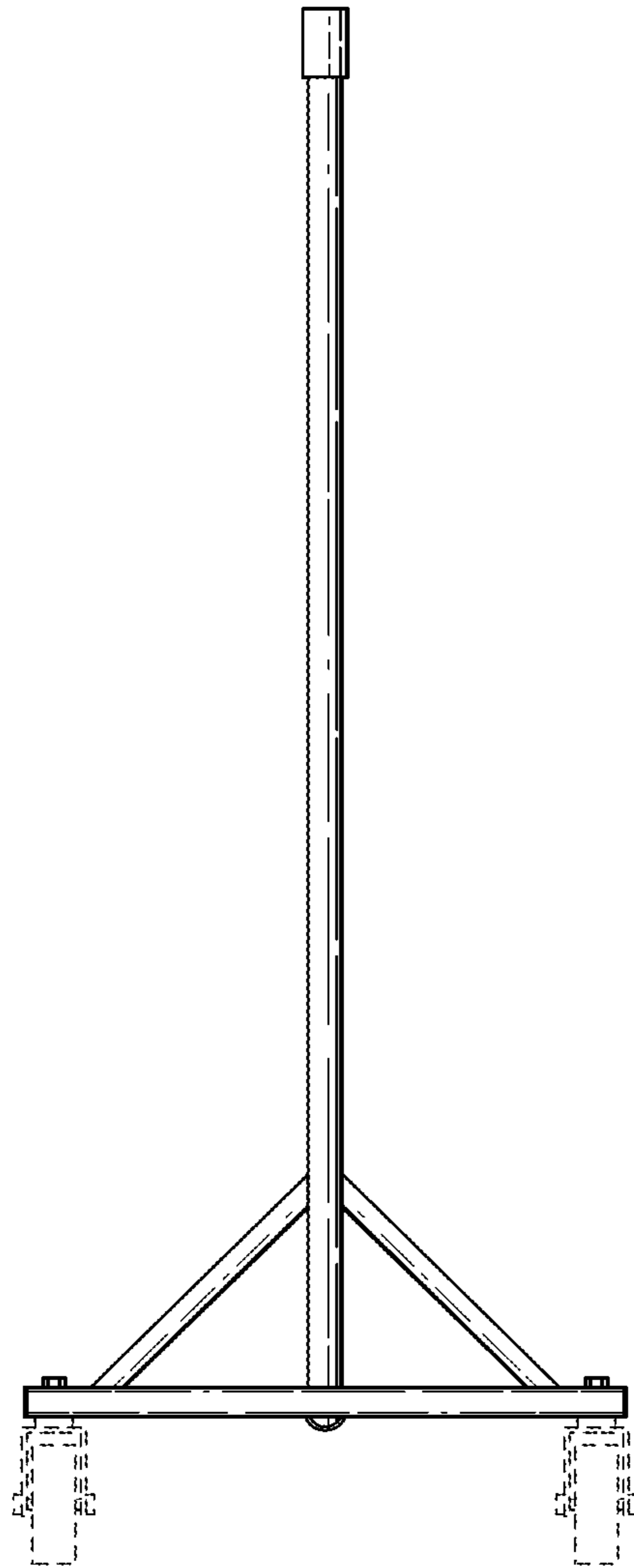


FIG. 3



*FIG. 4*

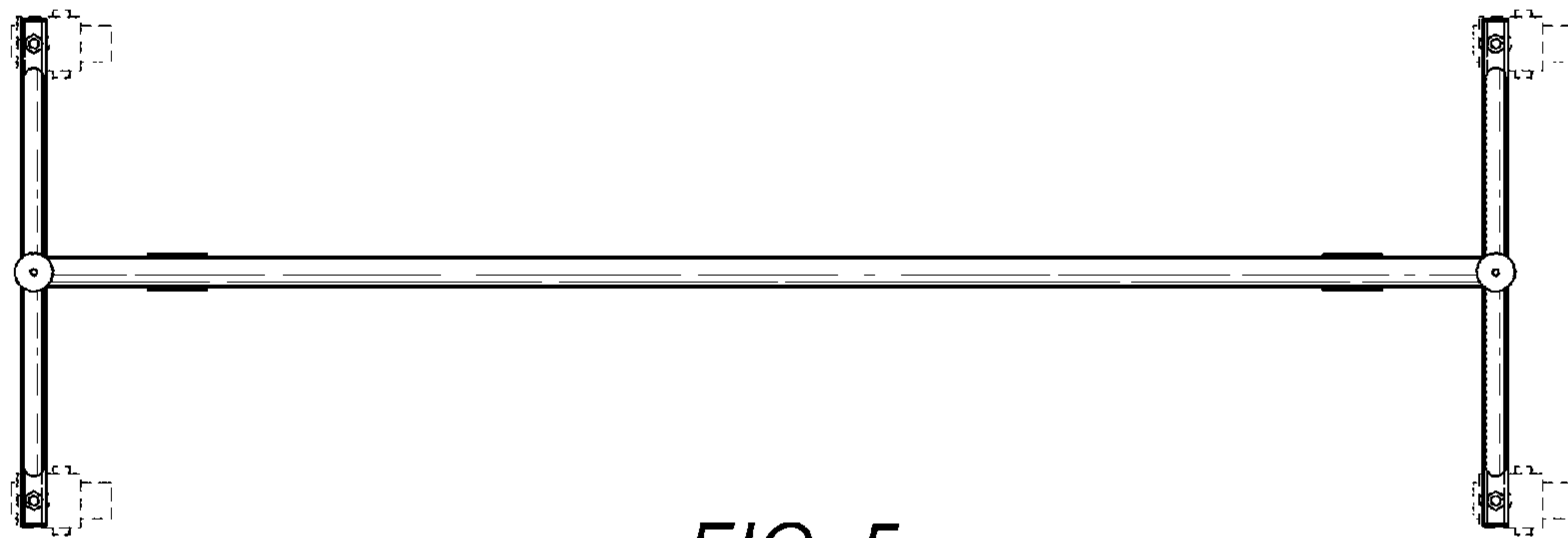


FIG. 5