



US00D736547S

(12) **United States Design Patent**  
**Morales et al.**

(10) **Patent No.:** **US D736,547 S**  
(45) **Date of Patent:** **\*\* Aug. 18, 2015**

(54) **BAIT RACK**

(56) **References Cited**

(71) Applicant: **De Sangosse U.S., Inc.**, Wilmington, DE (US)

U.S. PATENT DOCUMENTS

(72) Inventors: **Christopher H. Morales**, Milwaukee, WI (US); **Sandy Morales**, Milwaukee, WI (US); **Daniel M. Machak**, Racine, WI (US); **Raymond W. Finke**, Memphis, TN (US); **James J. Doll**, Bayside, WI (US)

D121,598 S	7/1940	Post	
2,214,137 A	9/1940	Irwin et al.	
D189,311 S *	11/1960	Christoffersen	D32/55
D295,984 S *	5/1988	Currie	D18/59
D308,317 S	6/1990	Koziol	
D359,880 S	7/1995	Fielding et al.	
D360,093 S	7/1995	Bigwood	
D387,949 S	12/1997	Bentson	

(Continued)

(73) Assignee: **De Sangosse U.S., Inc.**, Wilmington, DE (US)

OTHER PUBLICATIONS

U.S. Appl. No. 14/477,533, filed Sep. 4, 2014, LiphaTech, Inc.

(Continued)

(\*\*) Term: **14 Years**

*Primary Examiner* — Kelley Donnelly

(21) Appl. No.: **29/522,840**

(74) *Attorney, Agent, or Firm* — Reinhart Boerner Van Deuren s.c.

(22) Filed: **Apr. 2, 2015**

(57) **CLAIM**

We claim the ornamental design for a bait rack, as shown and described.

**Related U.S. Application Data**

**DESCRIPTION**

(62) Division of application No. 29/501,511, filed on Sep. 4, 2014, now Pat. No. Des. 729,552.

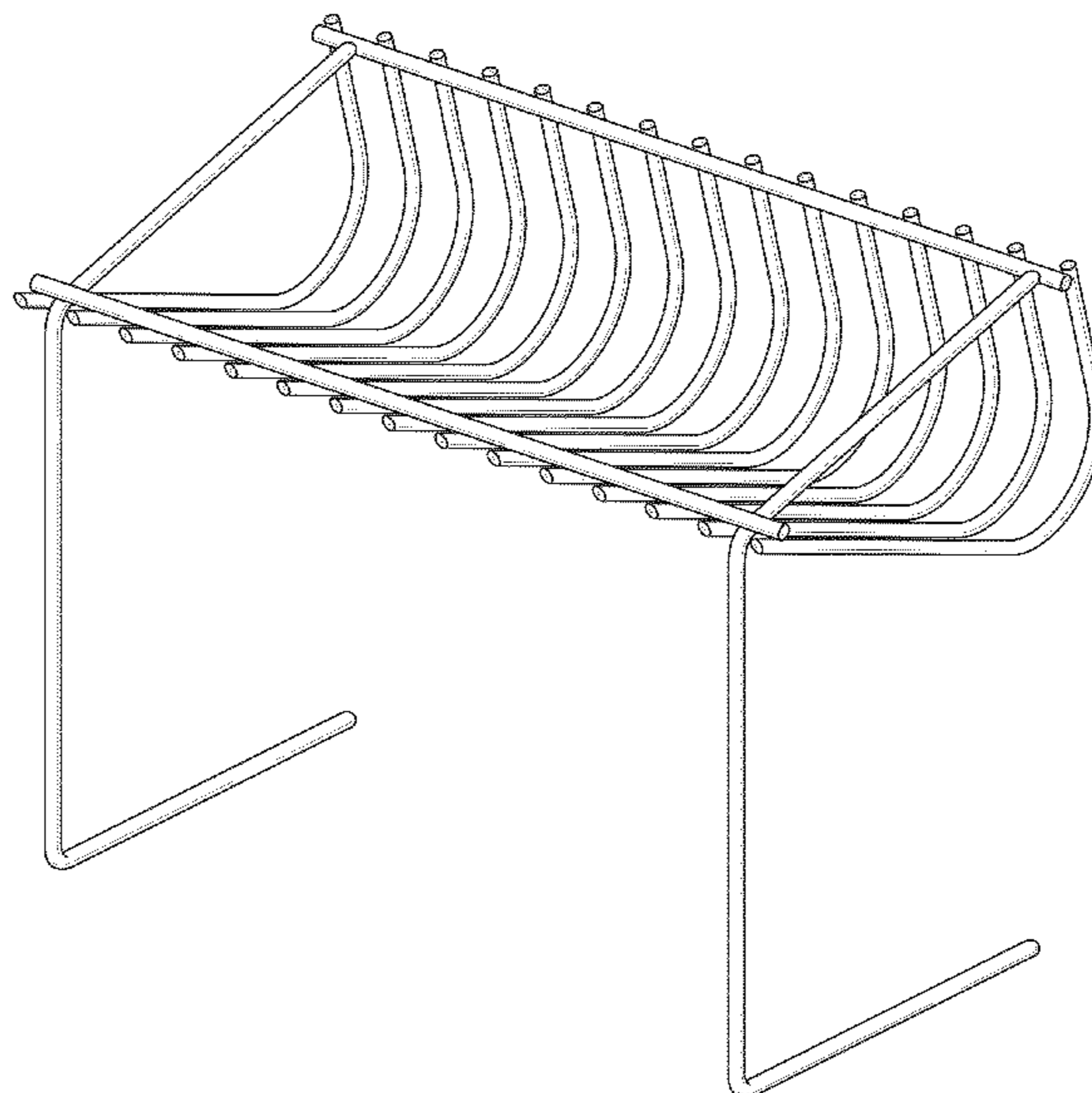
(51) **LOC (10) Cl.** ..... **06-06**

(52) **U.S. Cl.**  
USPC ..... **D6/678.4**

(58) **Field of Classification Search**  
USPC ..... D6/396, 449, 462, 491-492, 509-511, D6/524-525, 546, 672, 675, 675.4, 675.5, D6/678.4, 678.5; 248/176.12, 175, 176.1; 211/16, 71.01, 85.24, 88.04, 90.03; D7/601-602; D3/304, 306  
CPC ..... A47F 5/0031; A47F 5/0018; A47F 81/04  
See application file for complete search history.

FIG. 1 is a perspective view of a bait rack showing our new design;  
FIG. 2 is a perspective view of the claimed design of FIG. 1;  
FIG. 3 is a rear view of the claimed design of FIG. 1;  
FIG. 4 is a front view of the claimed design of FIG. 1;  
FIG. 5 is a left side view of the claimed design of FIG. 1;  
FIG. 6 is a right side view of the claimed design of FIG. 1;  
FIG. 7 is a top view of the claimed design of FIG. 1; and,  
FIG. 8 is bottom view of the claimed design of FIG. 1.  
The ornamental design which is claimed is shown in solid lines in the drawings.

**1 Claim, 7 Drawing Sheets**



(56)

References Cited

U.S. PATENT DOCUMENTS

D473,359 S	4/2003	Joseph	
D479,435 S	9/2003	Siegel et al.	
6,907,998 B2	6/2005	Deiss	
D532,653 S	11/2006	Molayem	
D534,395 S	1/2007	Home	
D538,496 S *	3/2007	Plikuhn .....	D32/55
D545,020 S *	6/2007	Yang et al. ....	D32/55
D554,318 S *	10/2007	Yang et al. ....	D32/55
D555,977 S	11/2007	Gonzalez et al.	
D593,810 S	6/2009	Goodman et al.	
D630,397 S *	1/2011	Molayem .....	D32/55
D681,981 S *	5/2013	Sharpe et al. ....	D6/707.21
D688,903 S	9/2013	Goodman et al.	
D695,482 S *	12/2013	Huang .....	D32/55
D696,829 S *	12/2013	Huang .....	D32/55
D699,073 S	2/2014	Cheung	
D699,986 S	2/2014	Tsai	
D701,390 S	3/2014	Brindise	
D702,997 S	4/2014	Cloutier	

OTHER PUBLICATIONS

U.S. Appl. No. 29/501,511, filed Sep. 4, 2014, LiphaTech, Inc. Rodent Feeder Bar, Braintree Scientific, Inc.: Lab Research Products, available at <http://www.braintreesci.com/prodinfo.asp?number=FD-BAR>, believed to be publically available prior to Sep. 4, 2014, accessed on Sep. 9, 2014, 1 page.

N10 Mouse Lid, Ancare, available at <http://www.ancare.com/products/cages-and-caging-equipment/wire-bar-lid/n10-mouse-lid>, believed to be publically available prior to Sep. 4, 2014, accessed on Sep. 9, 2014, 1 page.

N40 Large Mouse Lid, Ancare, available at <http://www.ancare.com/products/cages-and-caging-equipment/wire-bar-lid/n40-mouse-lid>, believed to be publically available prior to Sep. 4, 2014, accessed on Sep. 9, 2014, 1 page.

Photo of case top, Braintree Scientific, Inc., believed to be publically available prior to Sep. 4, 2014.

\* cited by examiner

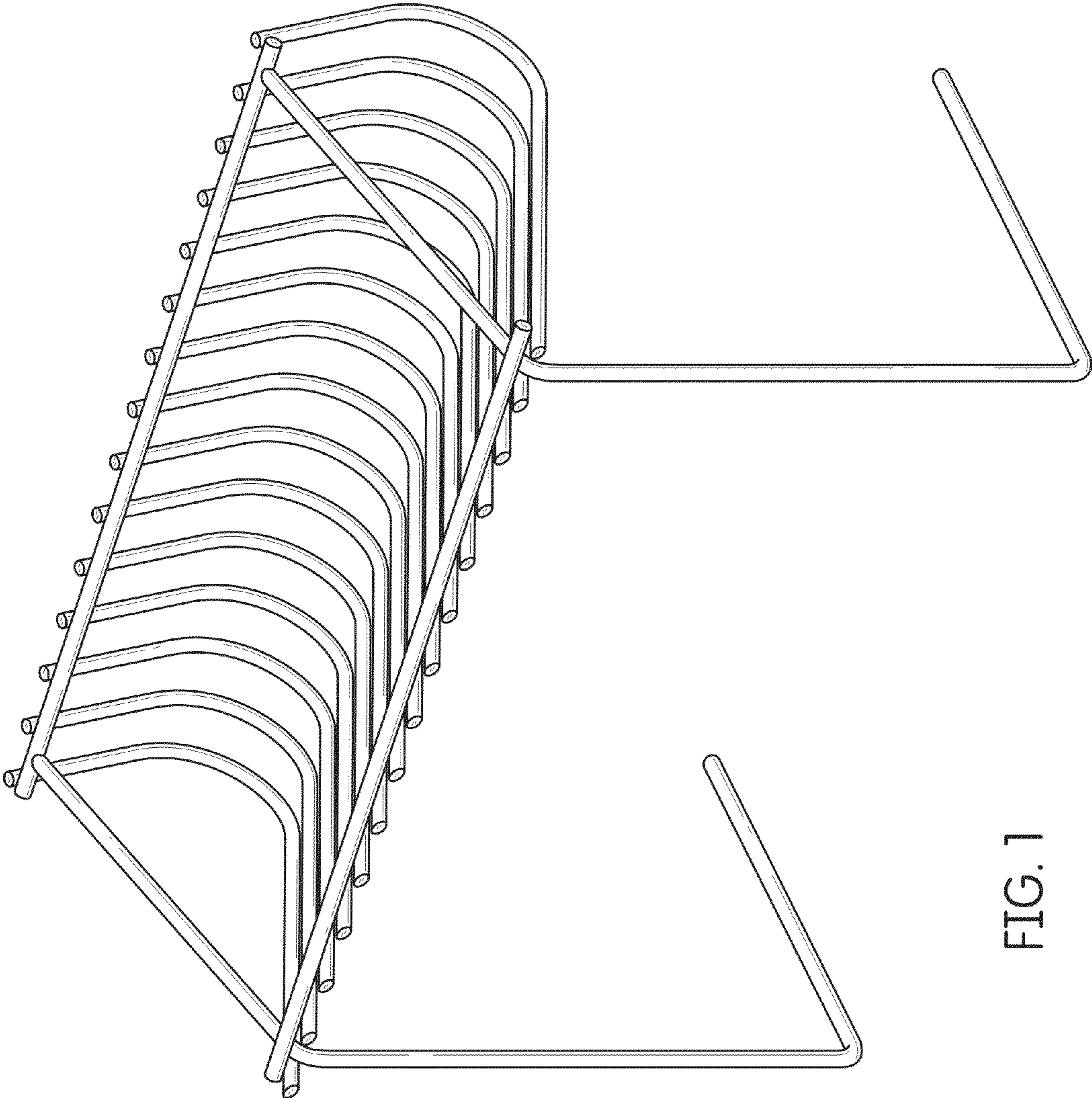


FIG. 1

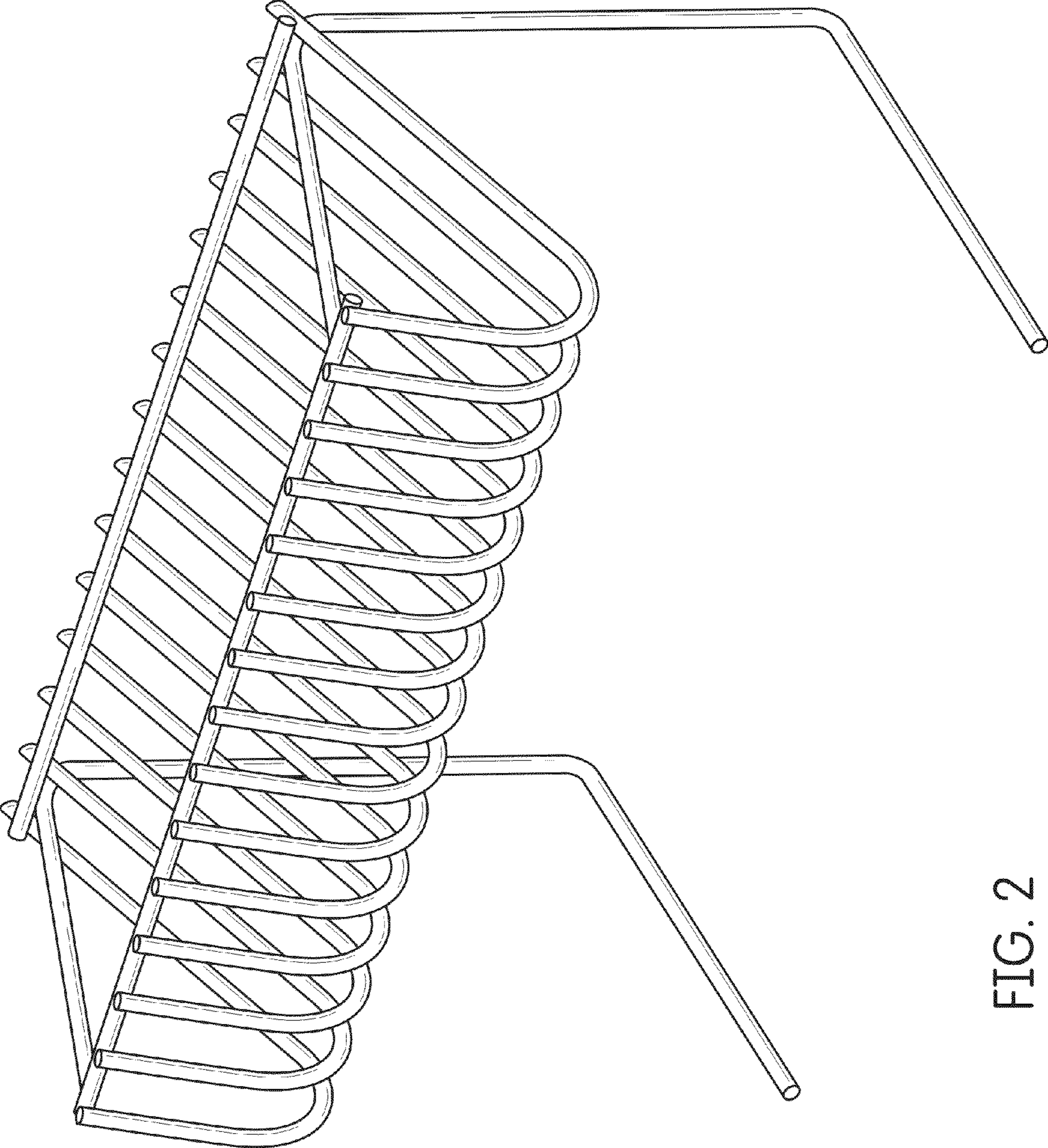


FIG. 2

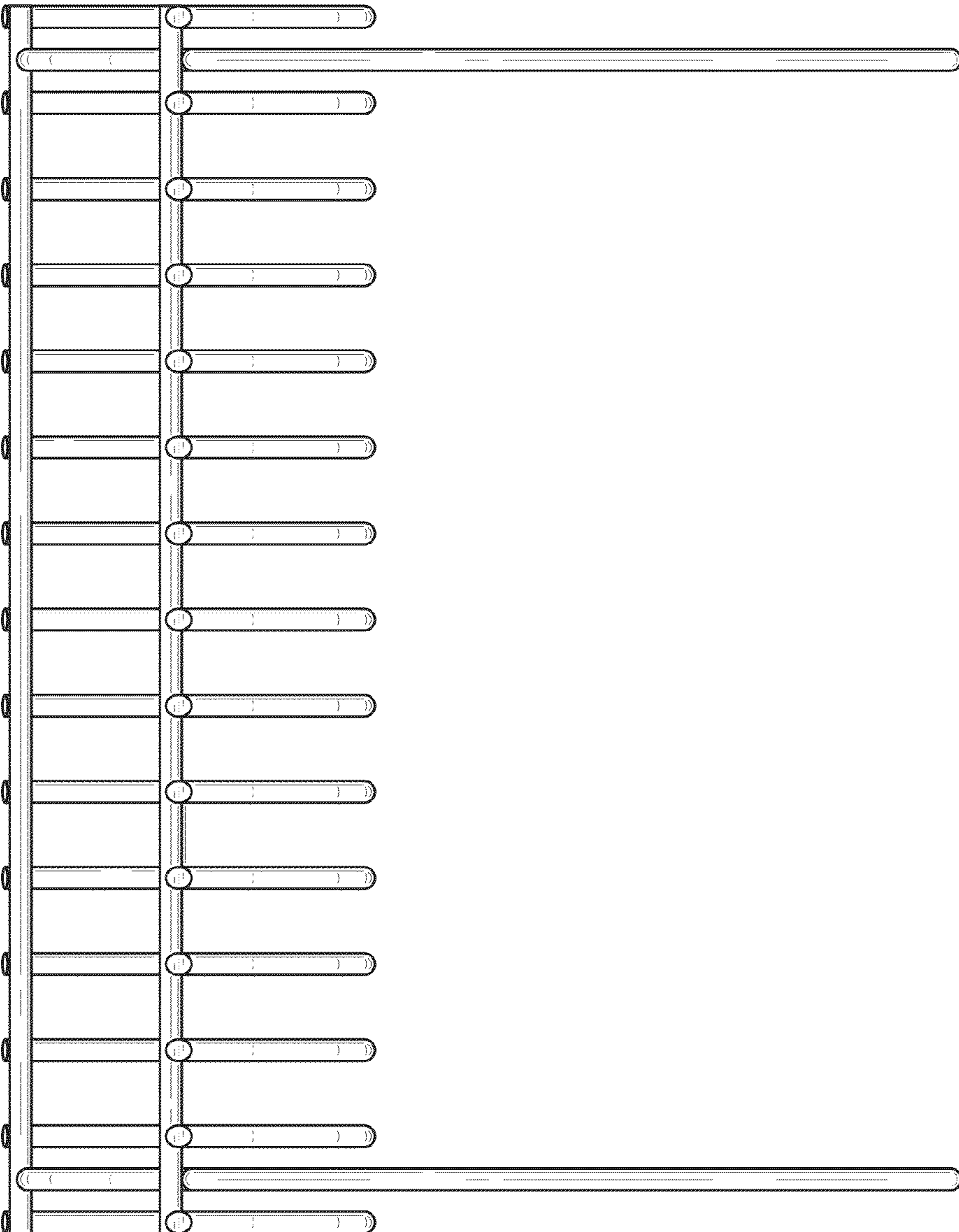


FIG. 3

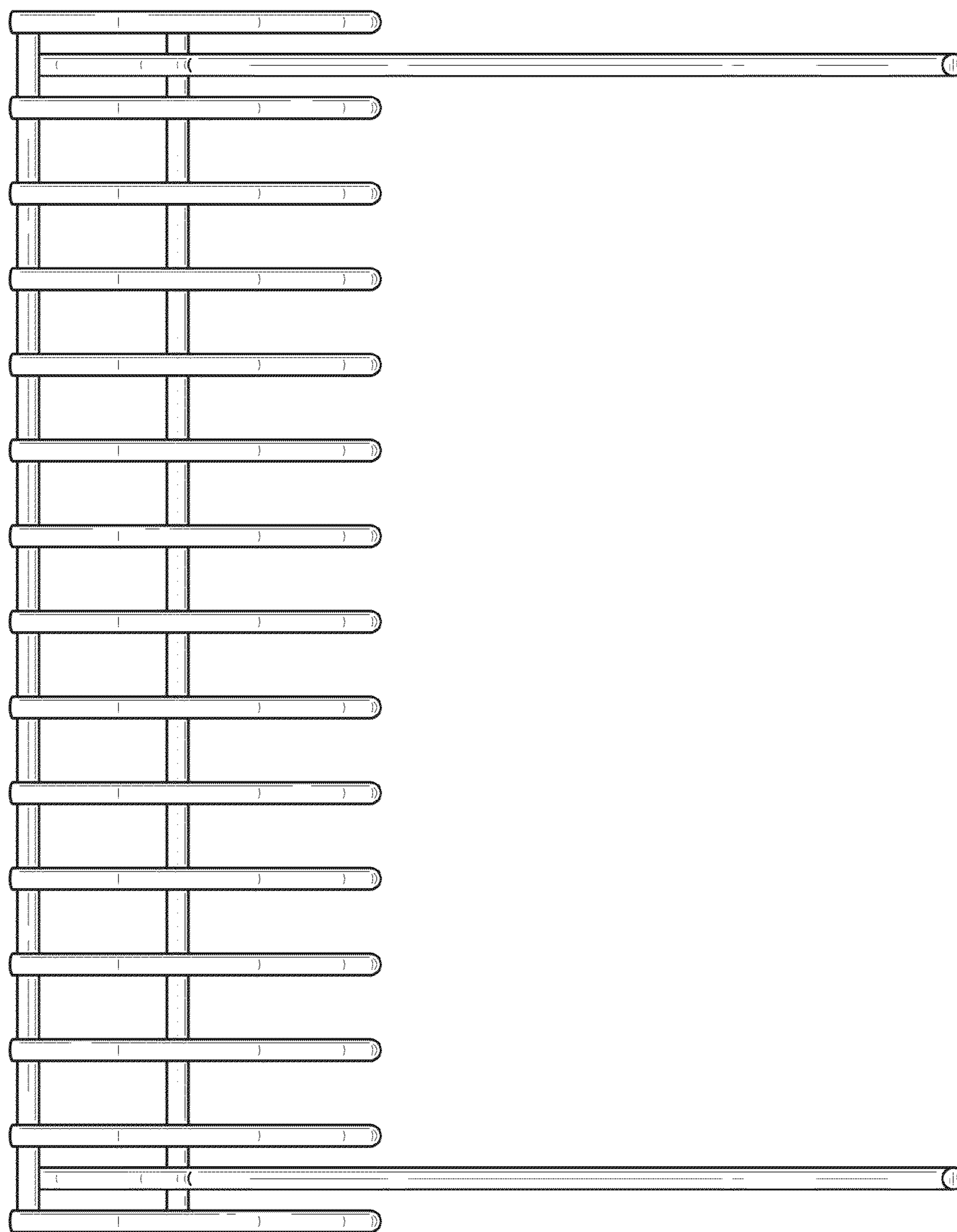


FIG. 4

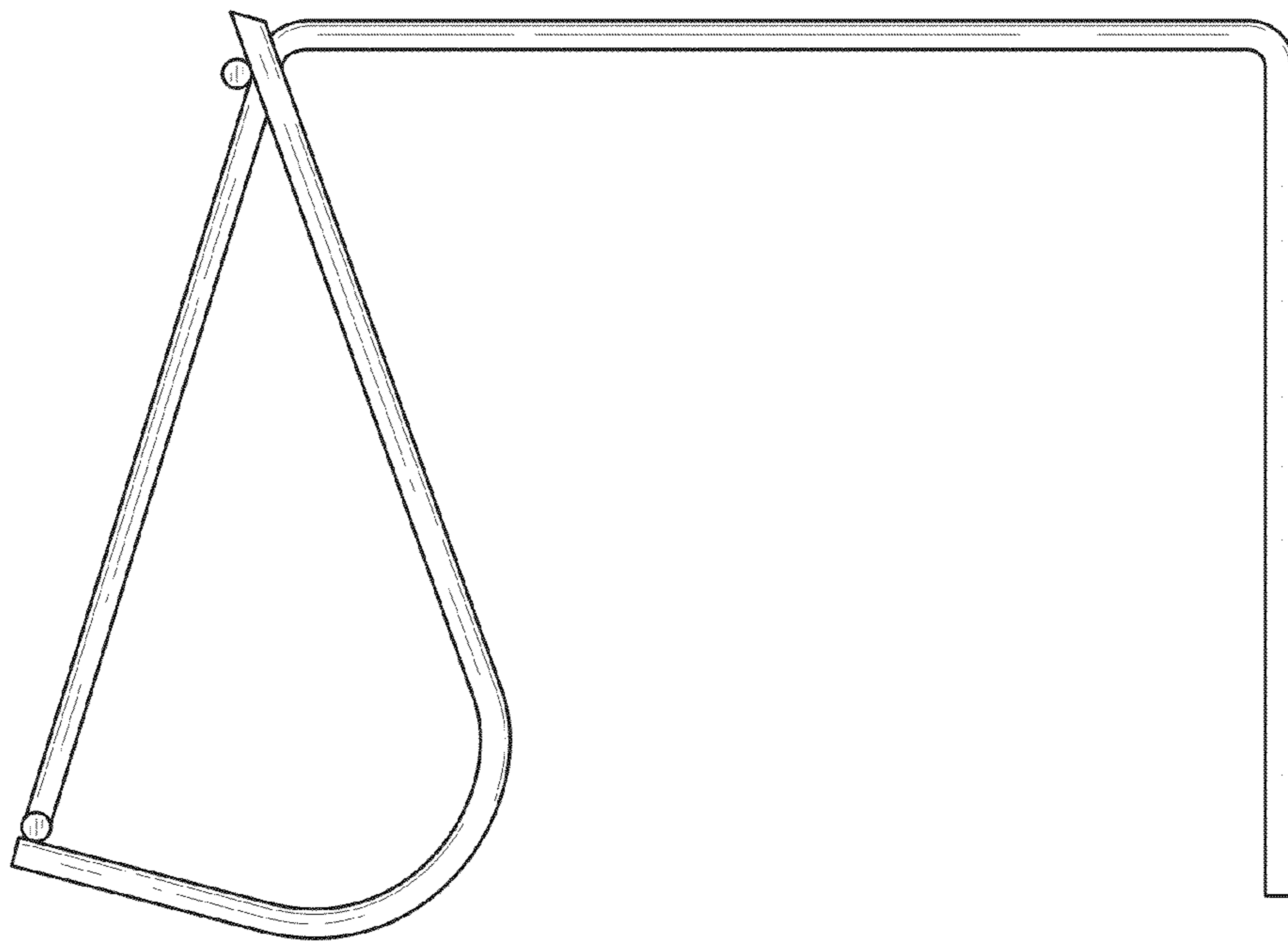


FIG. 6

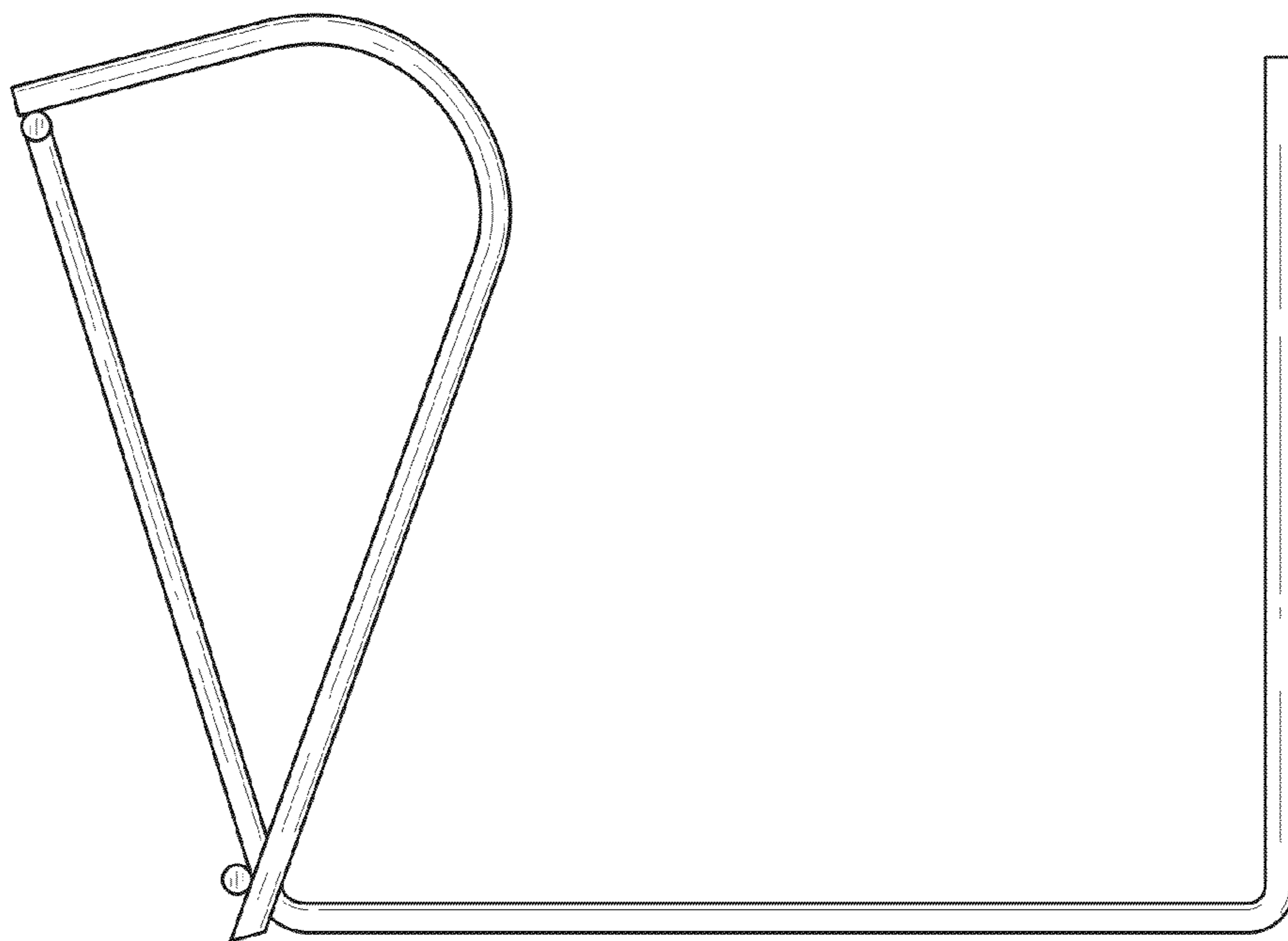


FIG. 5

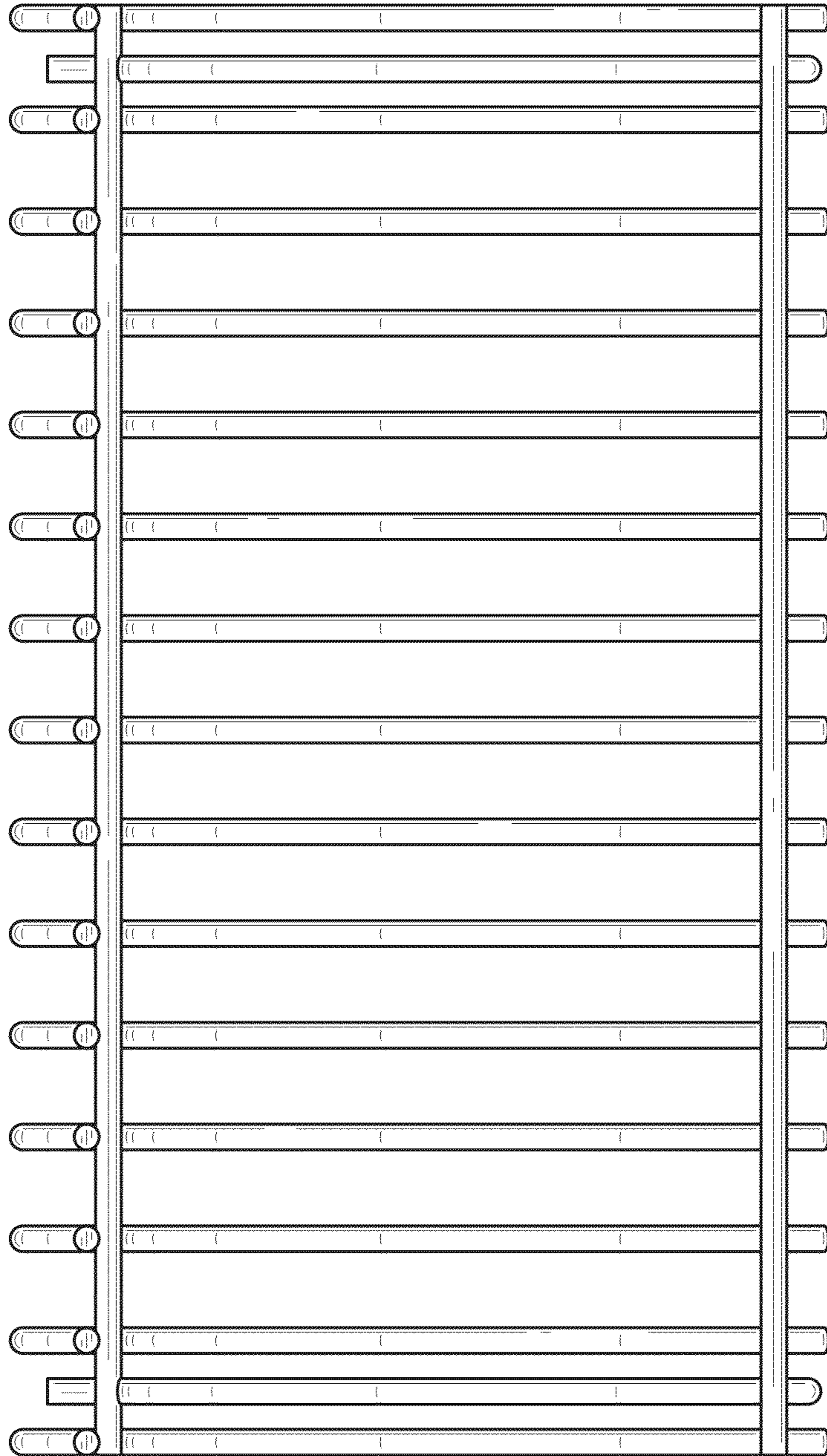


FIG. 7



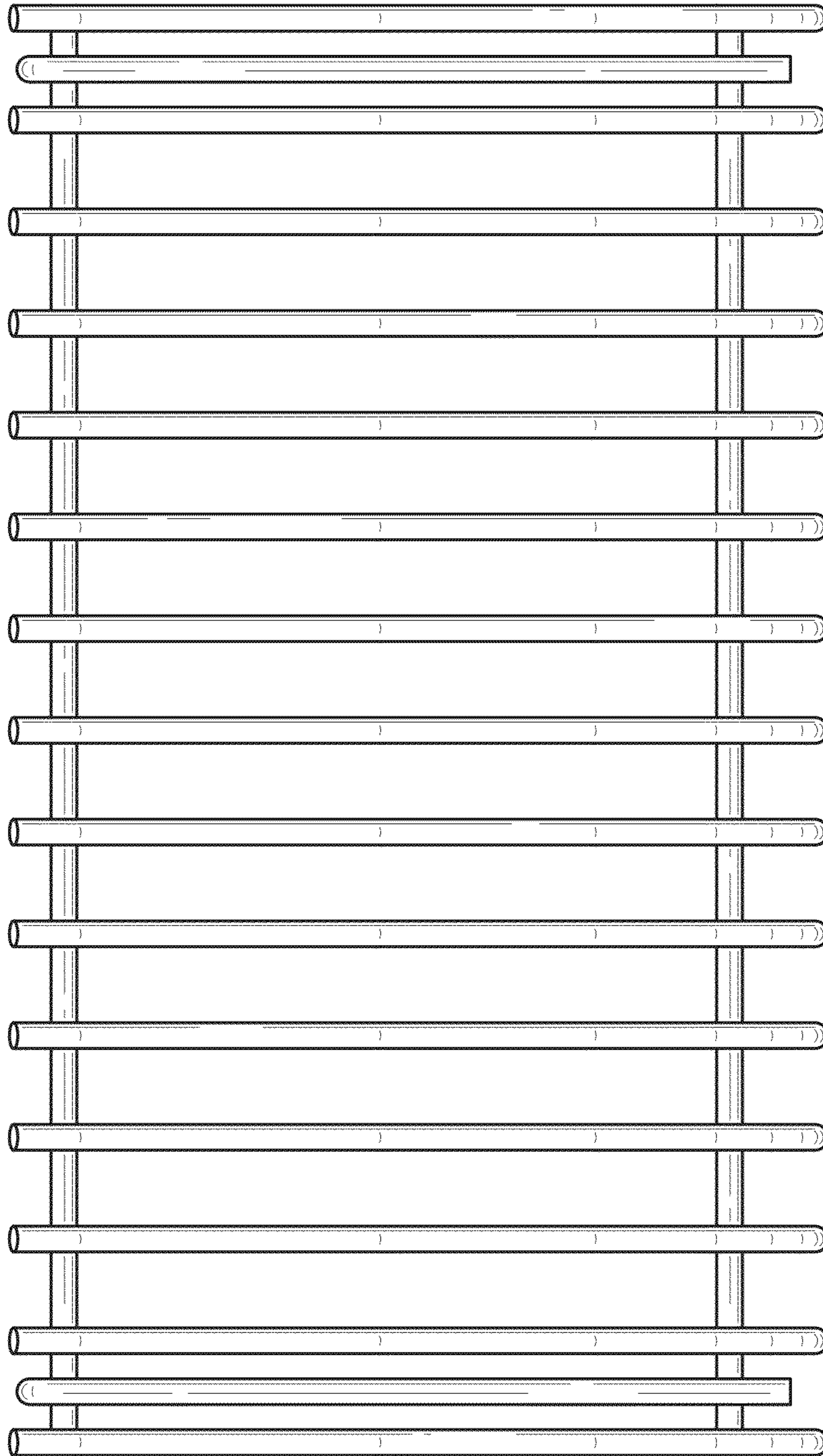


FIG. 8