



US00D736545S

(12) **United States Design Patent**
Taghaddos

(10) **Patent No.:** **US D736,545 S**

(45) **Date of Patent:** **** Aug. 18, 2015**

(54) **BOOK STAND**

(71) Applicant: **Siamak Taghaddos**, Needham, MA
(US)

(72) Inventor: **Siamak Taghaddos**, Needham, MA
(US)

(**) Term: **14 Years**

(21) Appl. No.: **29/463,647**

(22) Filed: **Jan. 29, 2014**

(51) **LOC (10) Cl.** **06-06**

(52) **U.S. Cl.**
USPC **D6/675.4**

(58) **Field of Classification Search**
USPC D6/406.1, 460-461, 672, 675, 675.4,
D6/682, 691, 691.1; 108/1, 3, 59, 60,
108/93-94, 96; 211/34, 36, 42, 50, 70,
211/85.3, 90.01, 115, 144
CPC A47B 63/00; A47B 65/10
See application file for complete search history.

(56) **References Cited**

U.S. PATENT DOCUMENTS

D157,075 S * 1/1950 Naulin D6/479
3,187,693 A * 6/1965 Hamilton et al. 108/157.13

D220,766 S * 5/1971 Miller D6/495
D313,134 S * 12/1990 Pollack D6/479
D337,673 S * 7/1993 Goetz D6/473
D384,838 S * 10/1997 Topper et al. D6/473
D454,737 S * 3/2002 Carrabba D6/511
D475,554 S * 6/2003 Ming-Shiue D6/449
D521,775 S * 5/2006 Lau D6/473
D672,577 S * 12/2012 Blet et al. D6/675.1
D680,775 S * 4/2013 Xin et al. D6/675.1

* cited by examiner

Primary Examiner — Kelley Donnelly

(74) *Attorney, Agent, or Firm* — William Nitkin

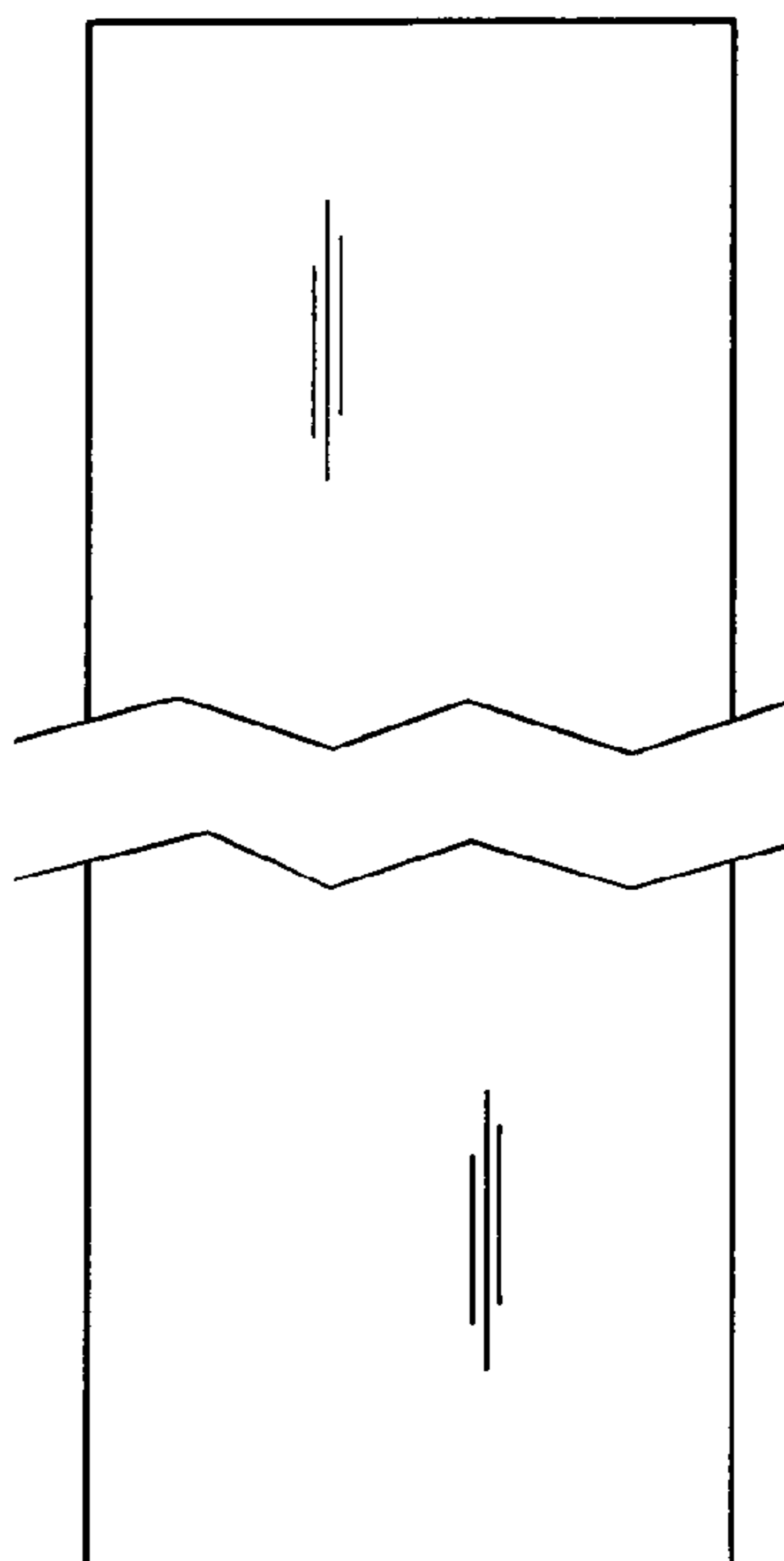
(57) **CLAIM**

The ornamental design for a book stand, as shown and described.

DESCRIPTION

FIG. 1 is a right side elevational view of a book stand showing my new design;
FIG. 2 is a left side elevational view thereof;
FIG. 3 is a top plan view thereof;
FIG. 4 is a bottom plan view thereof;
FIG. 5 is a front elevational view thereof;
FIG. 6 is a rear elevational view thereof; and,
FIG. 7 is a perspective view thereof.

1 Claim, 3 Drawing Sheets



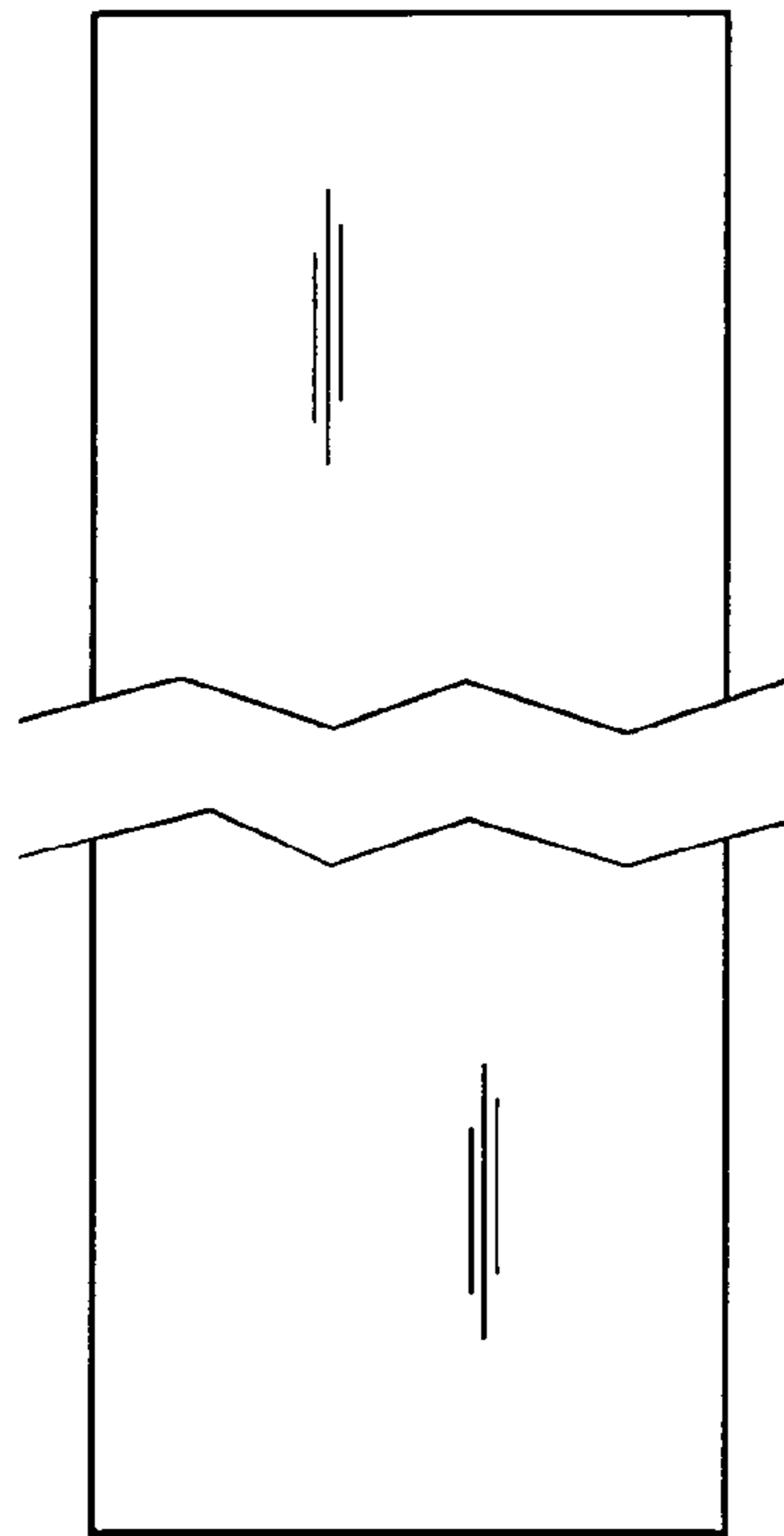


FIG. 1

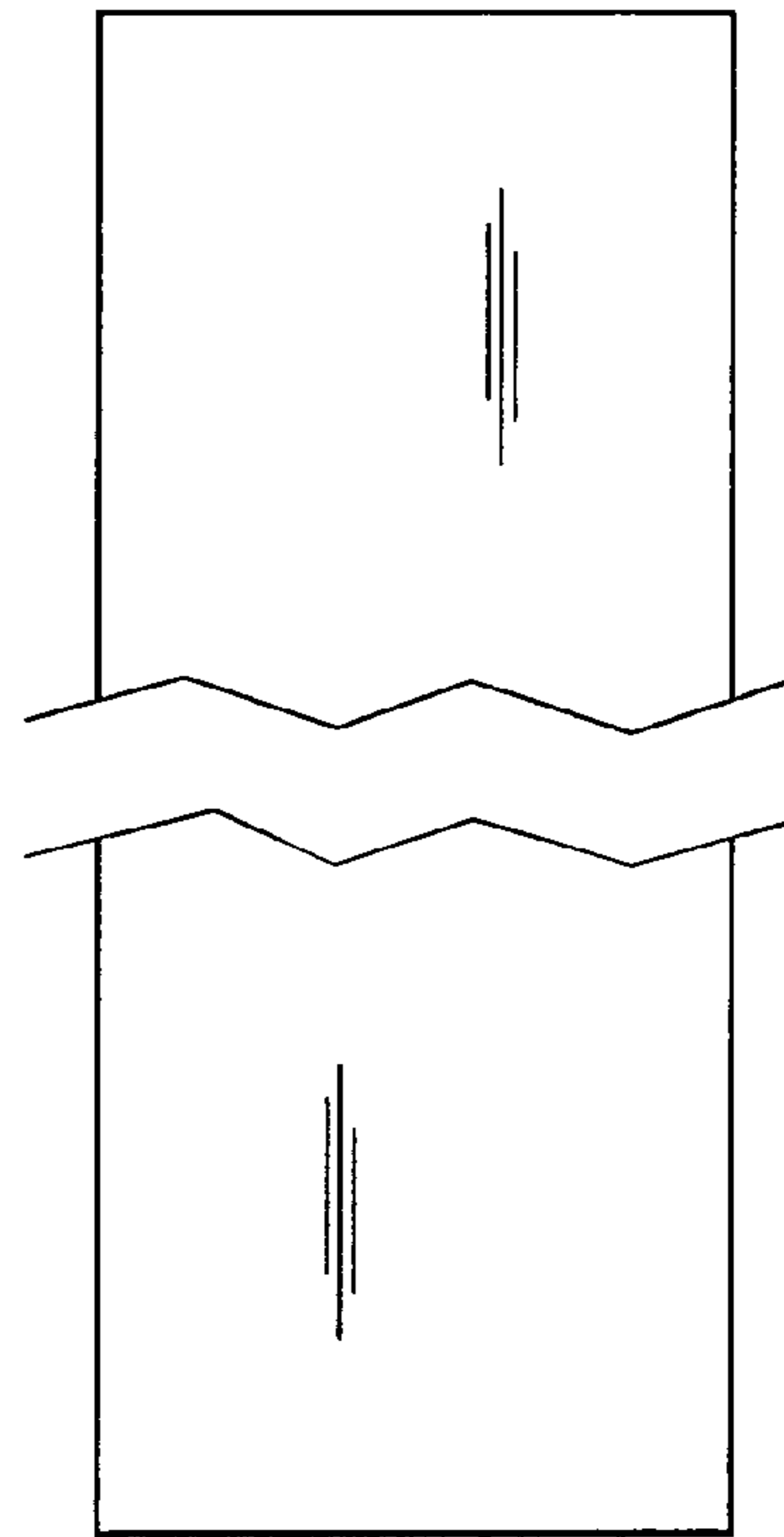


FIG. 2

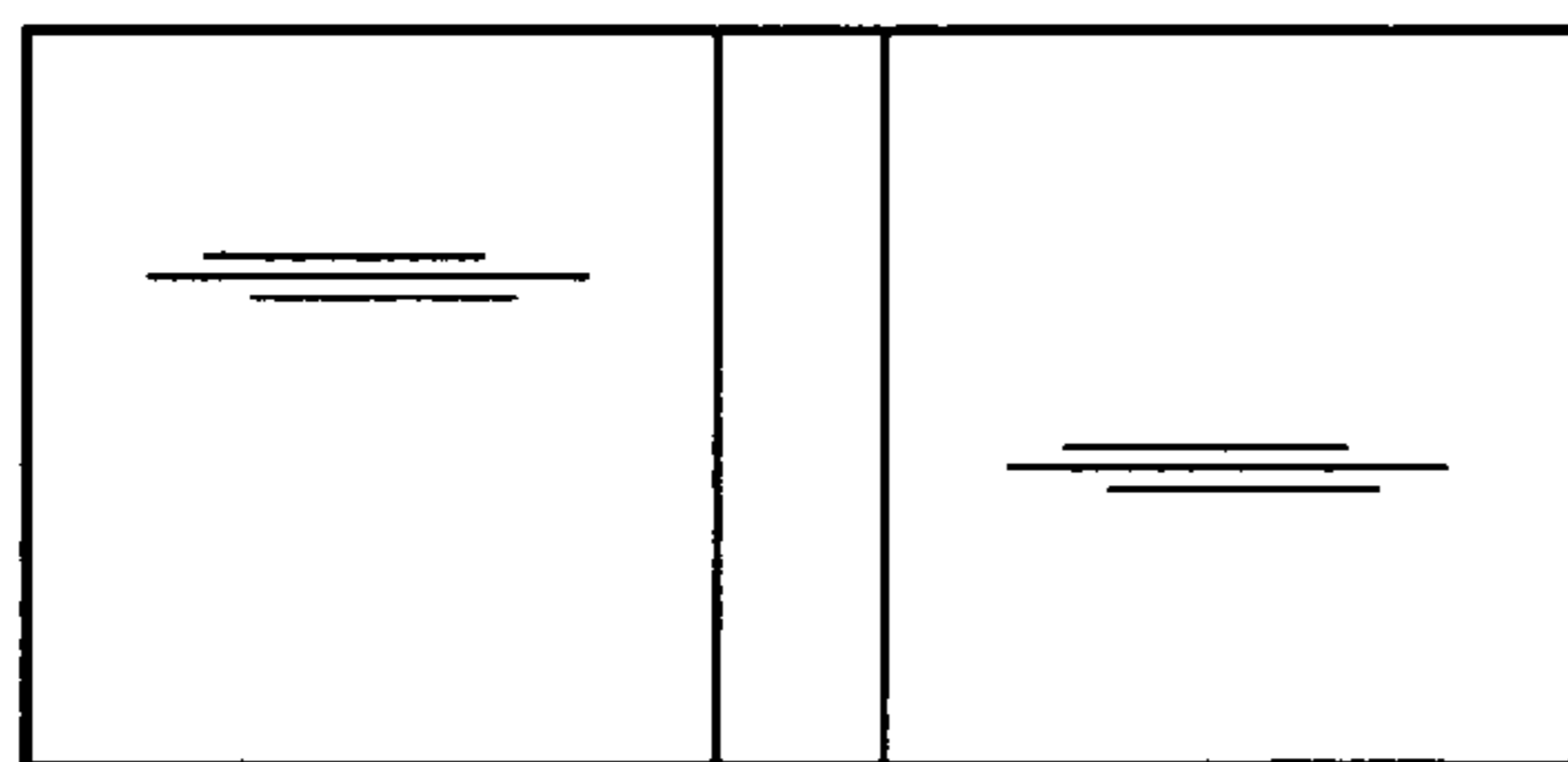


FIG. 3

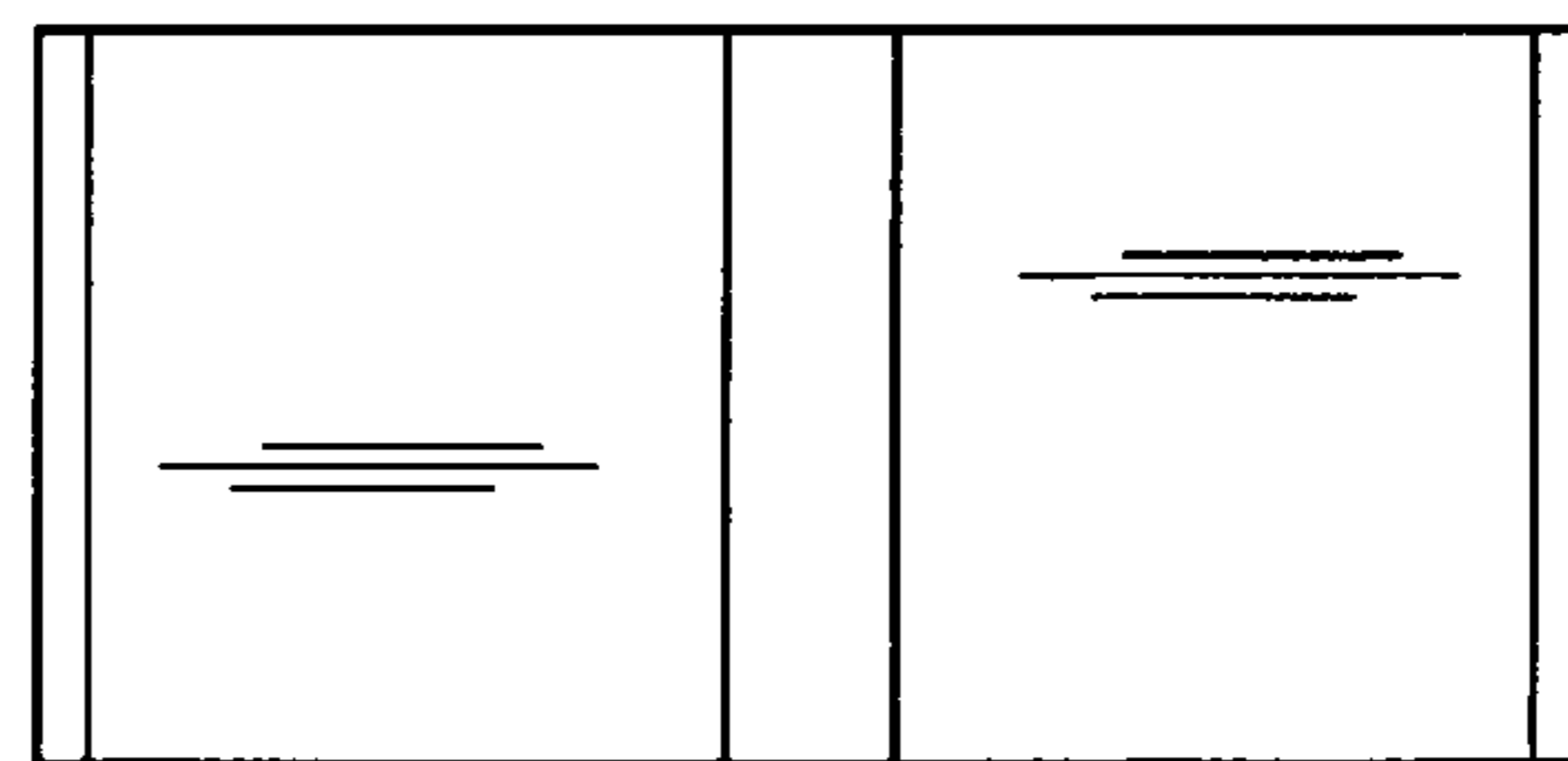


FIG. 4

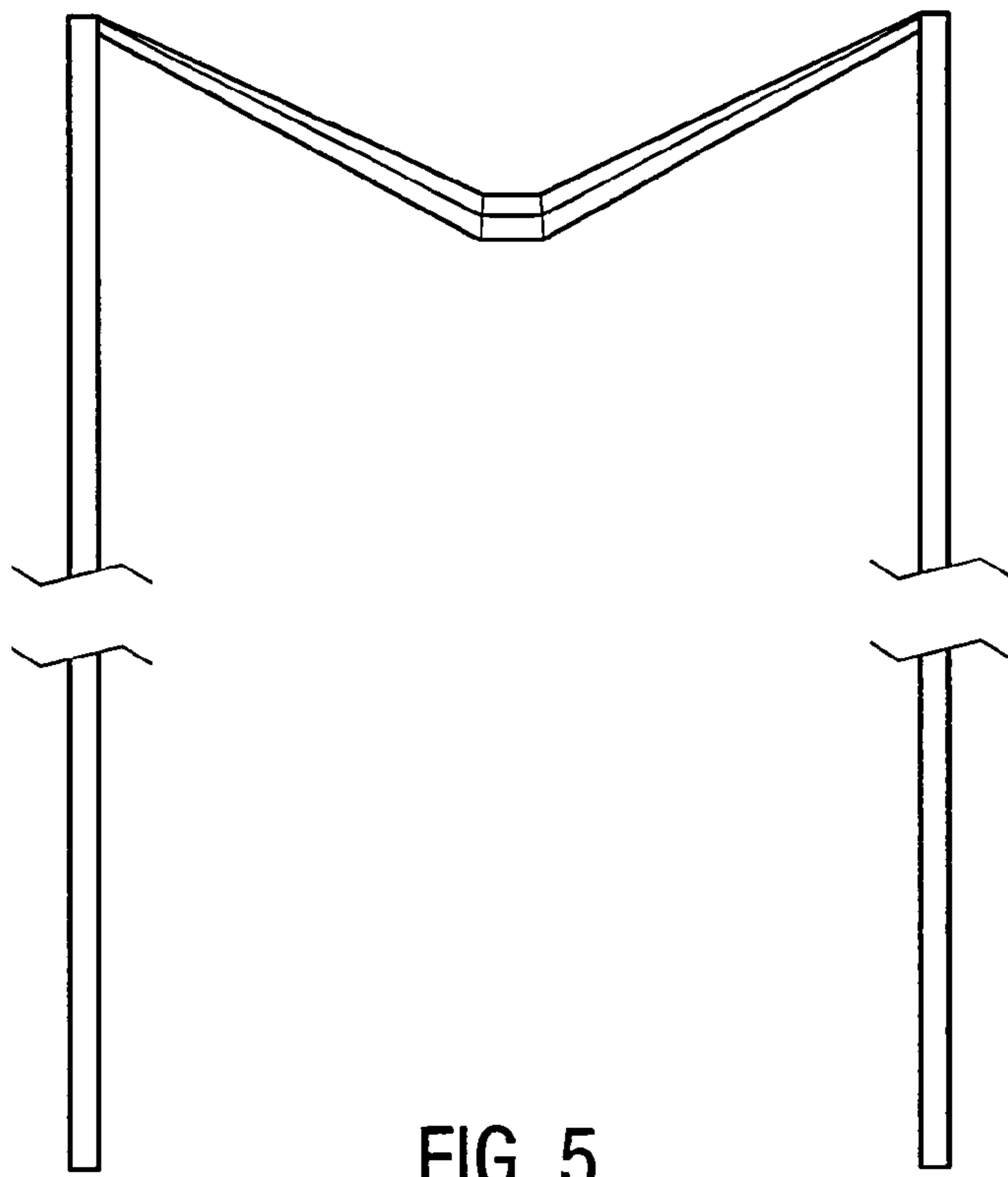


FIG. 5

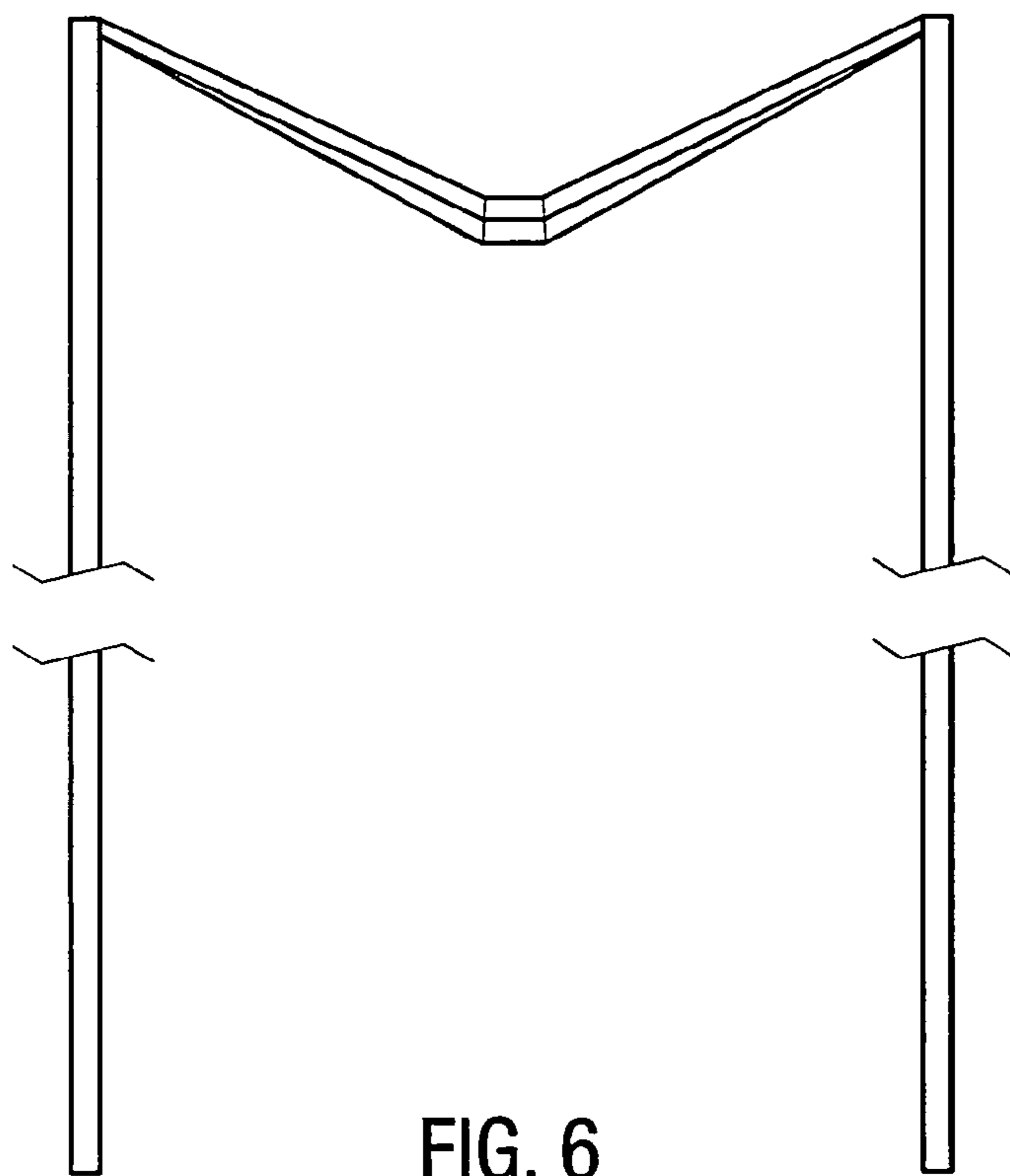


FIG. 6

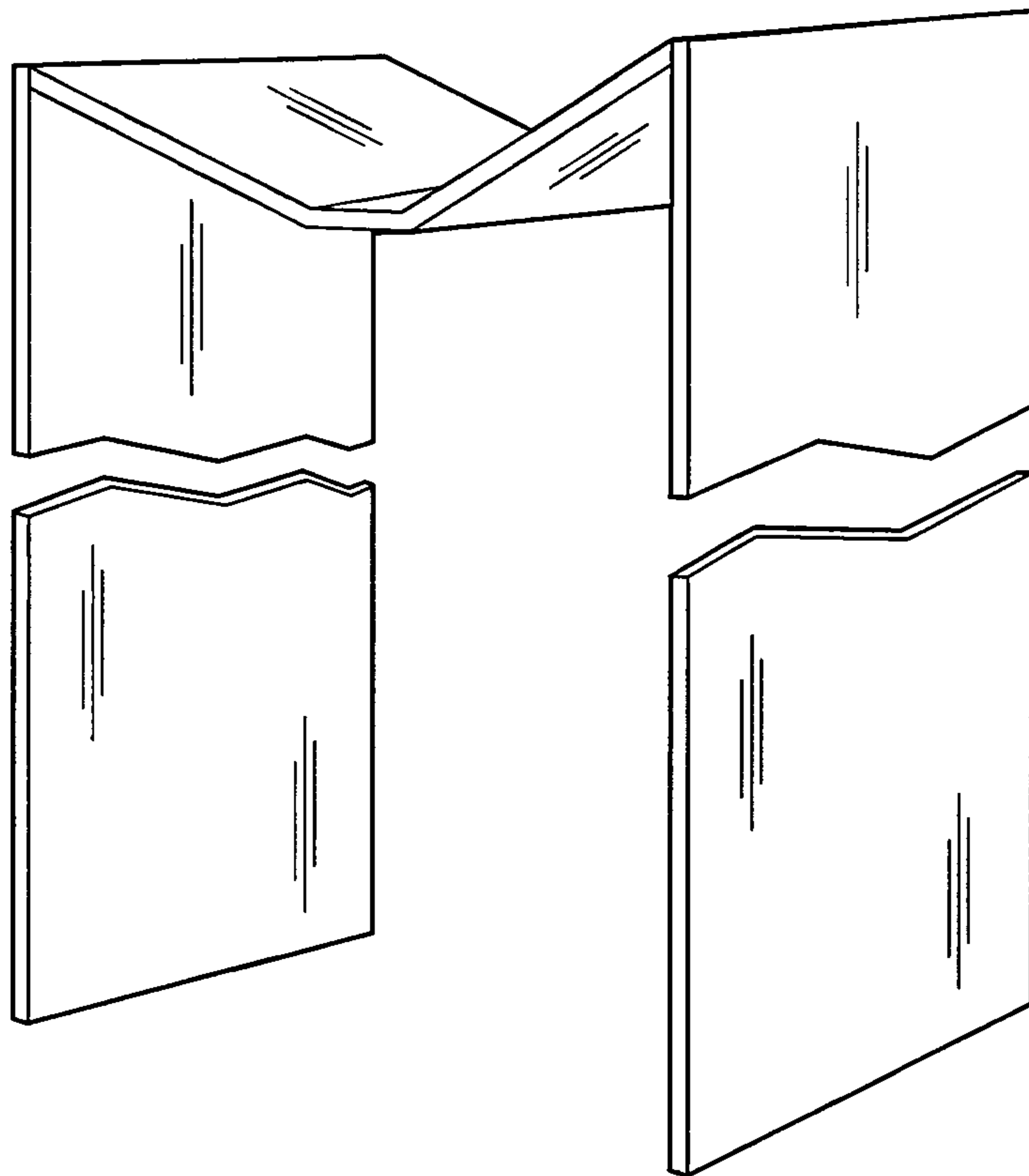


FIG. 7