



US00D736544S

(12) **United States Design Patent**
Lampman

(10) **Patent No.:** **US D736,544 S**

(45) **Date of Patent:** **** Aug. 18, 2015**

(54) **AIRBRUSH MAKE-UP CABINET**
(71) Applicant: **George Lampman**, Van Nuys, CA (US)
(72) Inventor: **George Lampman**, Van Nuys, CA (US)
(**) Term: **14 Years**

(21) Appl. No.: **29/447,514**
(22) Filed: **Mar. 4, 2013**
(51) **LOC (10) Cl.** **06-04**
(52) **U.S. Cl.**
USPC **D6/663**
(58) **Field of Classification Search**
USPC D3/294, 901; D6/559, 657, 663, 664,
D6/672, 675; D9/420, 424; D28/61;
D30/108; D32/21; 206/1.7, 1.8, 1.9,
206/15.2, 362; 239/398; 312/114, 138.1,
312/257.1
CPC B05B 7/2429; B05B 15/065; B44D 3/04;
B44D 3/125; A47F 3/00; A47F 3/043; A47B
88/044
See application file for complete search history.

(56) **References Cited**
U.S. PATENT DOCUMENTS
3,077,977 A * 2/1963 Wood 206/1.7
D198,948 S * 8/1964 Braun D9/420

D322,031 S * 12/1991 Fleming D9/424
D400,011 S * 10/1998 Palmer et al. D3/294
D444,921 S * 7/2001 Plante D30/108
D452,045 S * 12/2001 Ferber D28/61
D540,038 S * 4/2007 Hussaini et al. D3/294
D720,103 S * 12/2014 Haug et al. D32/21
2003/0217941 A1 * 11/2003 MacPherson et al. 206/362
2007/0090206 A1 * 4/2007 Barch et al. 239/398

* cited by examiner

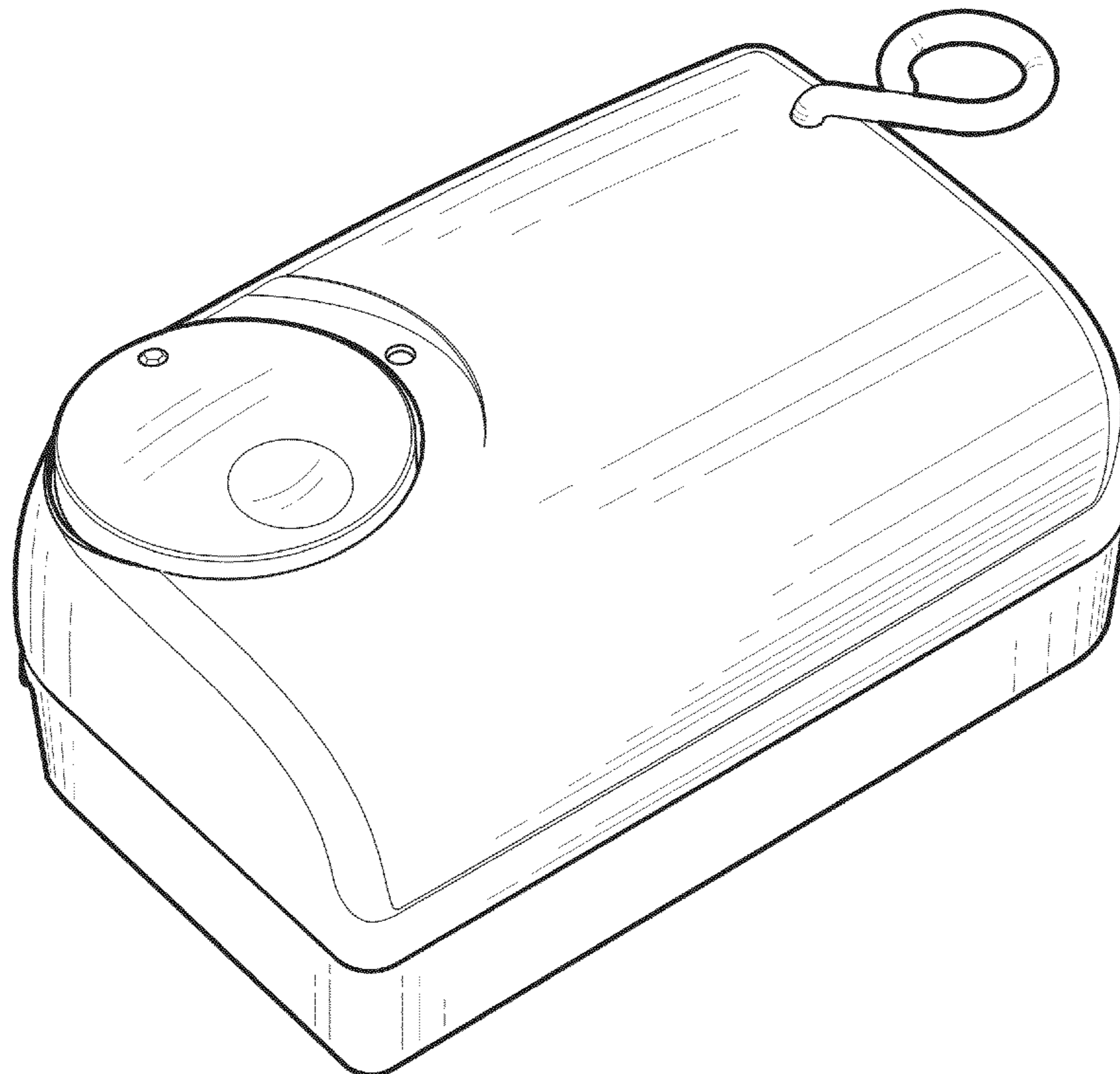
Primary Examiner — Ricky Pham
(74) *Attorney, Agent, or Firm* — Browdy and Neimark, PLLC

(57) **CLAIM**
The ornamental design for an airbrush make-up cabinet, as shown and described.

DESCRIPTION

FIG. 1 is a perspective view of my design;
FIG. 2 is a front view of the design of FIG. 1;
FIG. 3 is a rear view of the design of FIG. 1;
FIG. 4 is a side view of the design of FIG. 1;
FIG. 5 is a second side view of the design of FIG. 1;
FIG. 6 is a top view of the design of FIG. 1; and,
FIG. 7 is a rear perspective view of the design of FIG. 1.
The broken line showing of the legs in FIGS. 2-5 is for the purpose of illustrating one possible form of such legs and forms no part of the claimed design.

1 Claim, 7 Drawing Sheets



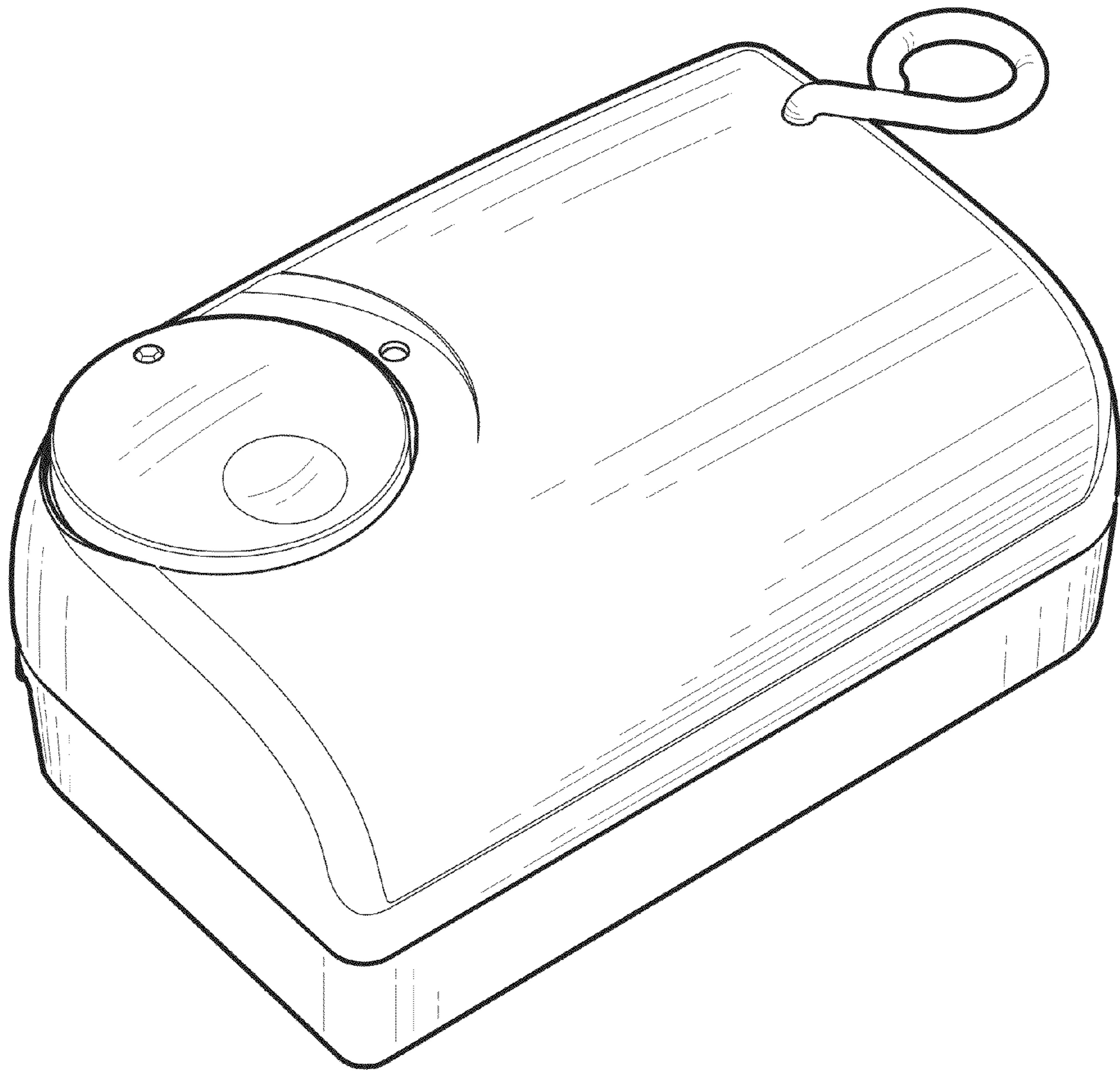


Fig. 1

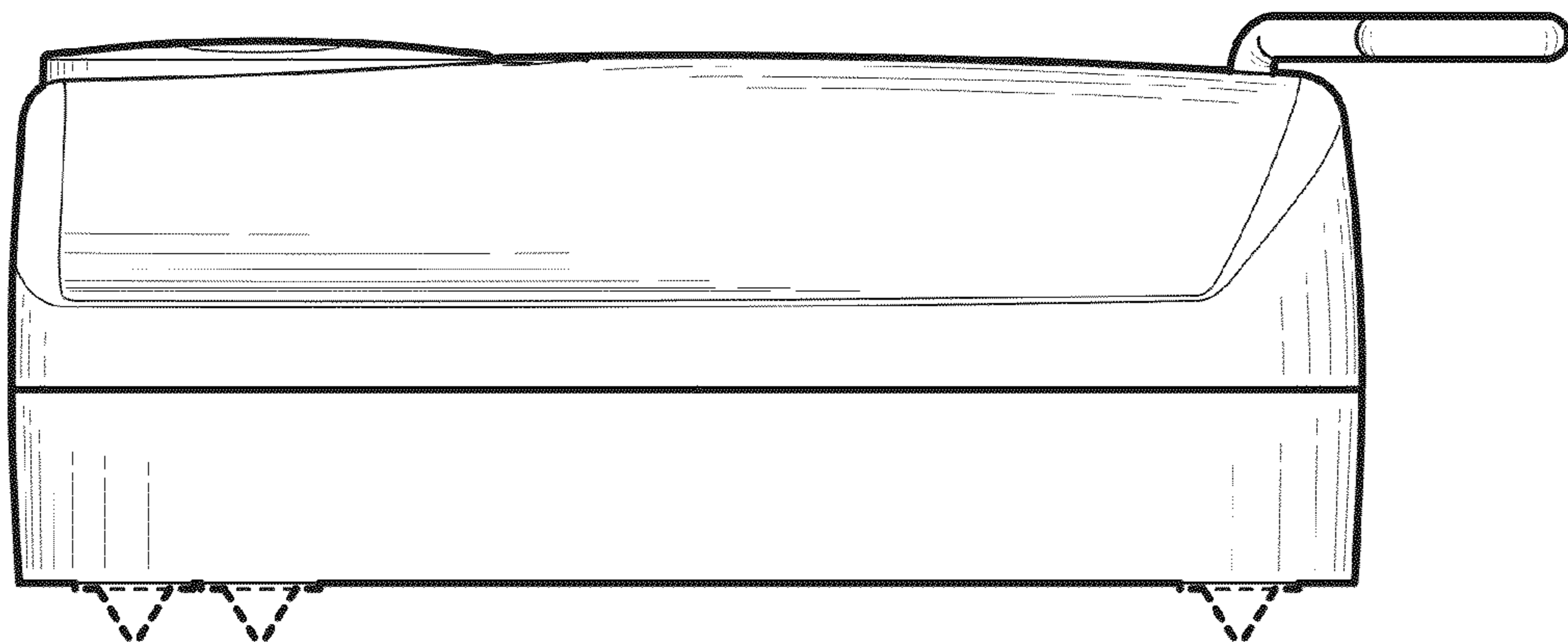


Fig. 2

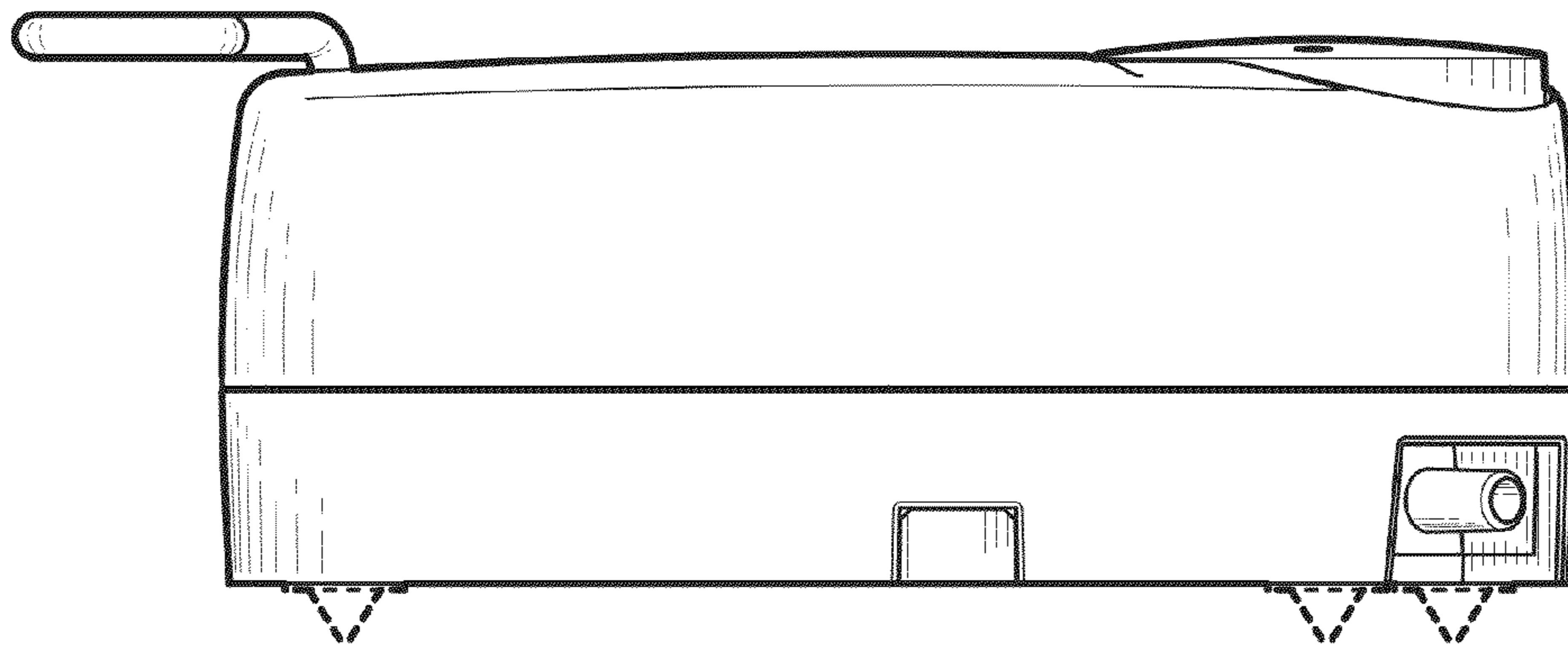


Fig. 3

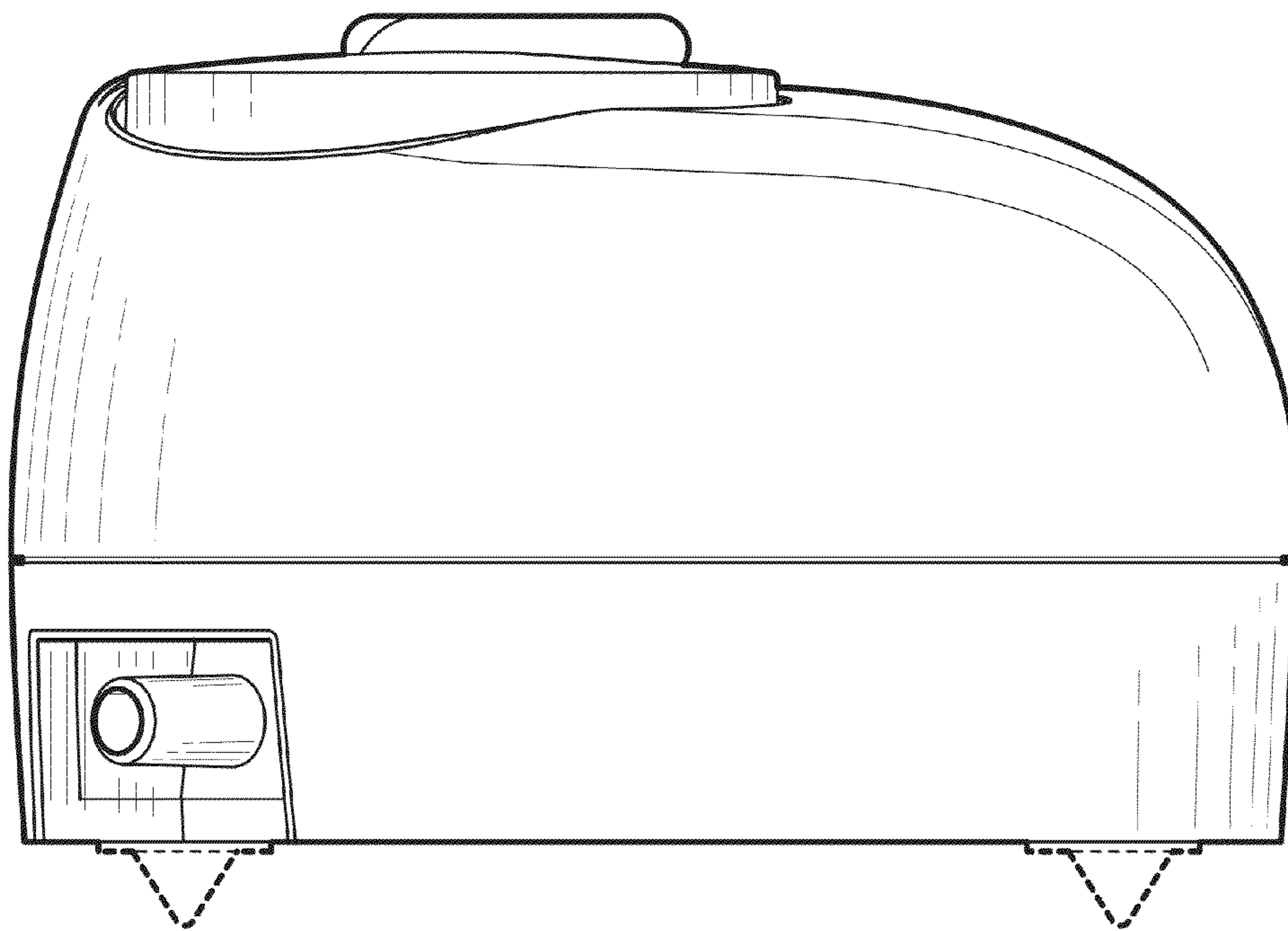


Fig. 4

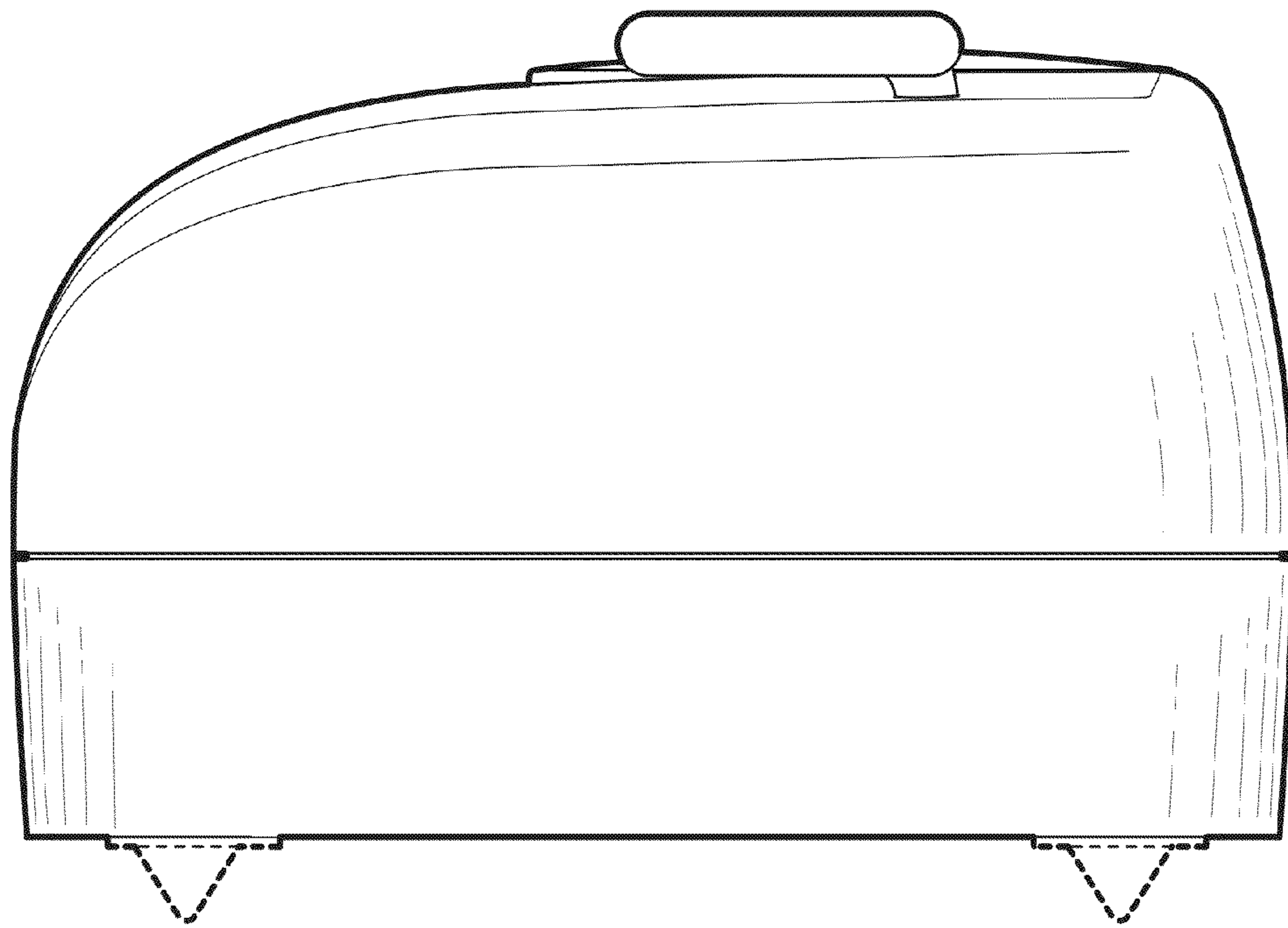


Fig. 5

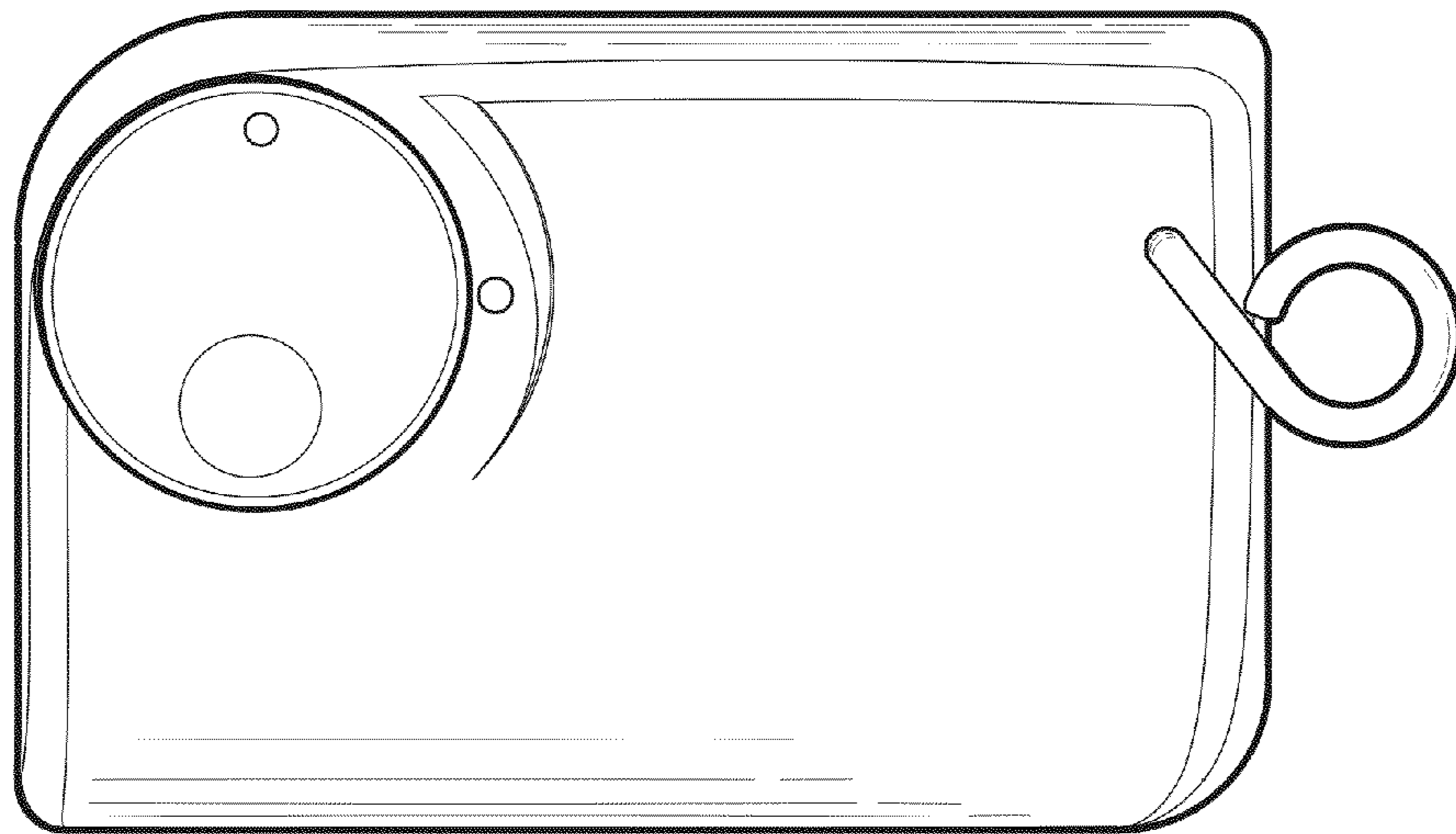


Fig. 6

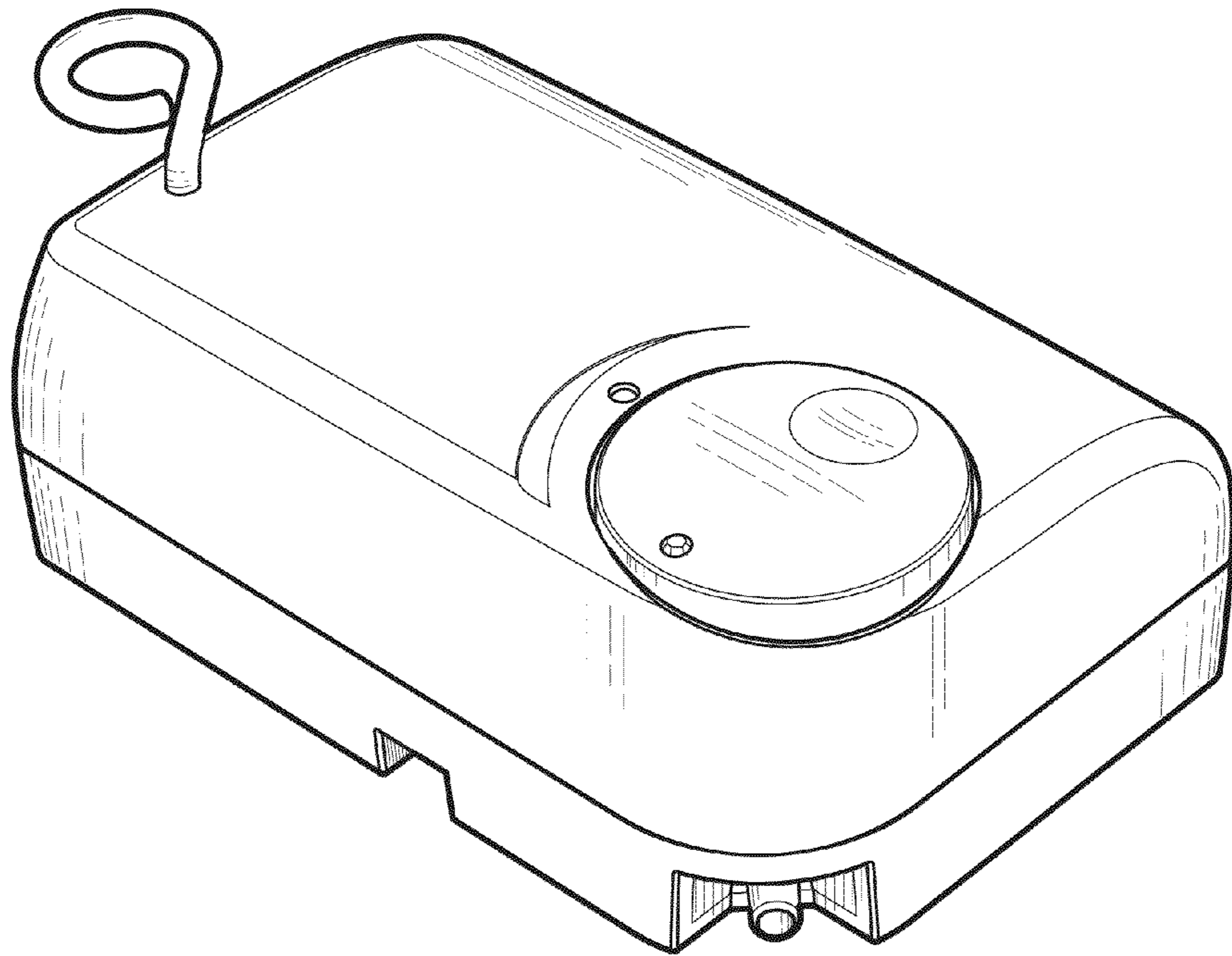


Fig. 7