



US00D736542S

(12) **United States Design Patent**
Fenton

(10) **Patent No.:** **US D736,542 S**

(45) **Date of Patent:** **** Aug. 18, 2015**

(54) **BODY SUPPORT AND ALIGNMENT PILLOW**

(71) Applicant: **Colin Fenton**, Sechelt (CA)

(72) Inventor: **Colin Fenton**, Sechelt (CA)

(**) Term: **14 Years**

(21) Appl. No.: **29/480,851**

(22) Filed: **Jan. 30, 2014**

Related U.S. Application Data

(63) Continuation of application No. 14/167,459, filed on Jan. 29, 2014.

(51) **LOC (10) Cl.** **06-09**

(52) **U.S. Cl.**
USPC **D6/601**

(58) **Field of Classification Search**

USPC D6/349, 355, 375, 512, 595, 596, 601, D6/604, 611, 715, 716, 716.1; D21/803, D21/804, 805, 809; D24/183-185, 234; 5/401, 417, 419, 420, 600, 625, 5/630-636, 638, 639, 646, 652, 653, 655, 5/655.4, 690, 703, 730, 933, 946, 947; 128/202.18, 845; 297/180.11, 393, 297/397, 452.26, 452.48, 452.62, 482; 441/127; 602/13
CPC A47G 9/10; A47G 9/1009; A47G 9/1018; A47G 9/1027; A47G 9/1036; A47G 9/1045; A47G 9/1063; A47G 9/1072; A47G 9/1081; A47G 9/109; A47D 13/083; A47D 13/08; A61G 7/075; A61G 13/121; A61G 7/07; A47C 20/021; A47C 20/025; A47C 20/026
See application file for complete search history.

(56) **References Cited**

U.S. PATENT DOCUMENTS

2,720,660 A * 10/1955 Smith 5/636
D203,251 S 12/1965 Barber

(Continued)

FOREIGN PATENT DOCUMENTS

CA 1231787 1/1988
WO 9929216 6/1999

OTHER PUBLICATIONS

International Search Report & Written Opinion for PCT/CA2014/050758, dated Oct. 24, 2014.

Primary Examiner — Barbara Fox

Assistant Examiner — Jennifer L Rempfer

(74) *Attorney, Agent, or Firm* — Cameron IP

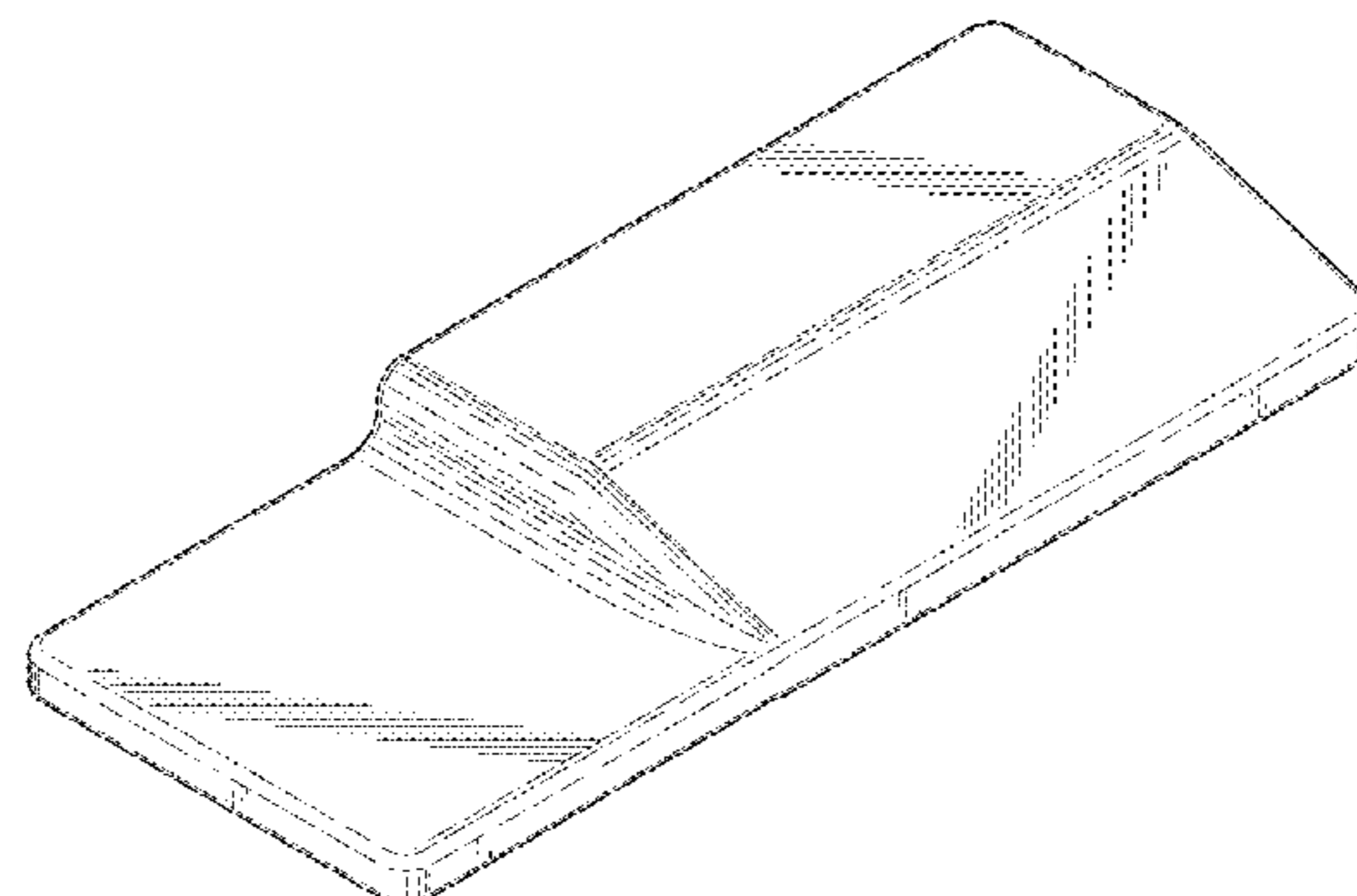
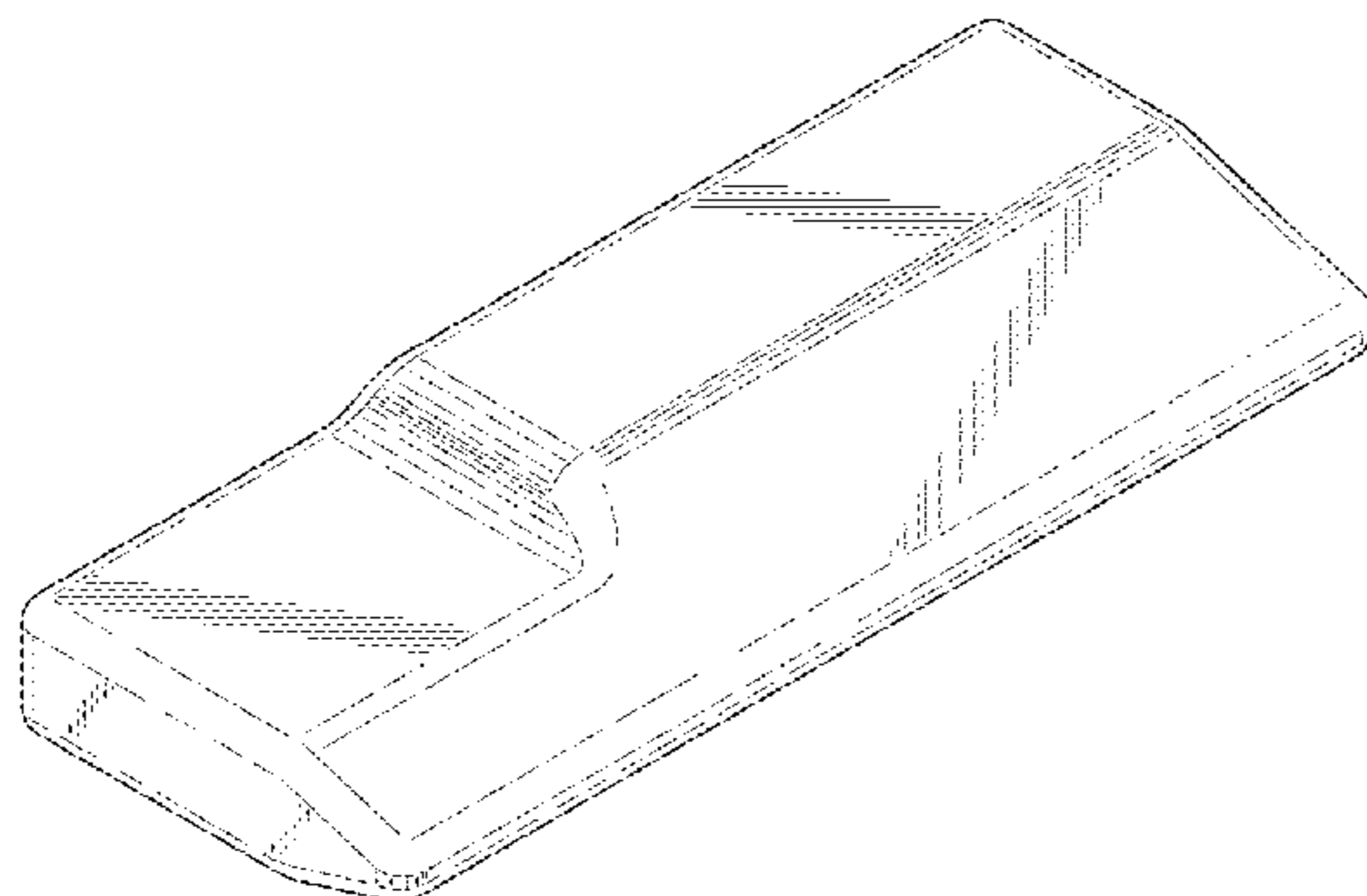
(57) **CLAIM**

The ornamental design for a body support and alignment pillow, as shown and described.

DESCRIPTION

FIG. 1 is a front side perspective view of the first embodiment of the body alignment and support pillow; FIG. 2 is a rear side perspective view thereof; FIG. 3 is a first side view thereof; FIG. 4 is a second side view thereof opposite the first side view; FIG. 5 is a top plan view thereof; FIG. 6 is a bottom plan view thereof; FIG. 7 is a distal end view thereof; FIG. 8 is a proximal end view thereof; FIG. 9 is a front side perspective view of the second embodiment of the body alignment and support pillow; FIG. 10 is a rear side perspective view thereof; FIG. 11 is a first side view thereof; FIG. 12 is a second side view thereof opposite the first side view; FIG. 13 is a top plan view thereof; FIG. 14 is a bottom plan view thereof; FIG. 15 is a distal end view thereof; FIG. 16 is a proximal end view thereof; FIG. 17 is a front side perspective view of the third embodiment of the body alignment and support pillow; FIG. 18 is a rear side perspective view thereof; FIG. 19 is a first side view thereof; FIG. 20 is a second side view thereof opposite the first side view; FIG. 21 is a top plan view thereof; FIG. 22 is a bottom plan view thereof; FIG. 23 is a distal end view thereof; and, FIG. 24 is a proximal end view thereof.

1 Claim, 9 Drawing Sheets



(56)

References Cited

U.S. PATENT DOCUMENTS

D276,938 S	12/1984	Pedersen	6,981,288 B1 *	1/2006	Hu	5/636
4,624,021 A	11/1986	Hofstetter	7,000,273 B2	2/2006	Rivera-Wienhold et al.	
4,901,384 A	2/1990	Eary	7,017,213 B2	3/2006	Chisari	
D306,948 S	4/1990	Zollinger	D518,989 S	4/2006	Clapp	
5,097,551 A *	3/1992	Smith	D523,495 S *	6/2006	Carlucci et al.	D21/694
5,103,516 A	4/1992	Stevens	D527,937 S *	9/2006	Aiken et al.	D6/601
5,269,323 A	12/1993	Krouskop	7,114,206 B2	10/2006	Leach	
5,279,310 A	1/1994	Hsien	7,353,552 B2	4/2008	Leach	
5,479,667 A	1/1996	Nelson et al.	D583,182 S	12/2008	Zimmerman	
5,522,104 A	6/1996	Little	D595,528 S *	7/2009	Kamdar	D6/601
5,664,271 A	9/1997	Bellavance	7,578,013 B2	8/2009	Aikman	
D387,599 S *	12/1997	Ryndak	D604,857 S *	11/2009	Troutman	D24/192
5,815,863 A	10/1998	Dolisi	7,810,191 B2	10/2010	Littlehorn et al.	
D400,388 S	11/1998	Williams	7,874,032 B2	1/2011	North et al.	
6,047,419 A	4/2000	Ferguson	8,074,310 B1	12/2011	Robbins	
6,052,848 A	4/2000	Kelly	8,136,186 B1	3/2012	Leach	
6,182,311 B1	2/2001	Buchanan et al.	8,468,627 B2	6/2013	Leach	
6,349,437 B1 *	2/2002	Horning	2003/0208846 A1	11/2003	Guarino	
6,438,779 B1	8/2002	Brown	2005/0005358 A1	1/2005	DuDonis	
6,560,800 B1	5/2003	Draves	2005/0060806 A1	3/2005	Wilkinson	
D479,082 S *	9/2003	Daughtery et al.	2005/0273934 A1	12/2005	Hunter	
D487,553 S *	3/2004	Morikawa	2005/0273935 A1	12/2005	Cordova et al.	
6,708,354 B1	3/2004	Carter et al.	2006/0278237 A1 *	12/2006	Hinders et al.	128/845
6,751,817 B1	6/2004	Leach	2007/0151031 A1	7/2007	Leach	
6,874,183 B1	4/2005	Taylor	2008/0134437 A1	6/2008	Small	
D509,981 S *	9/2005	Owen	2008/0148487 A1	6/2008	Lord et al.	
			2009/0313761 A1	12/2009	North et al.	
			2011/0289689 A1	12/2011	Mikkelsen et al.	

* cited by examiner

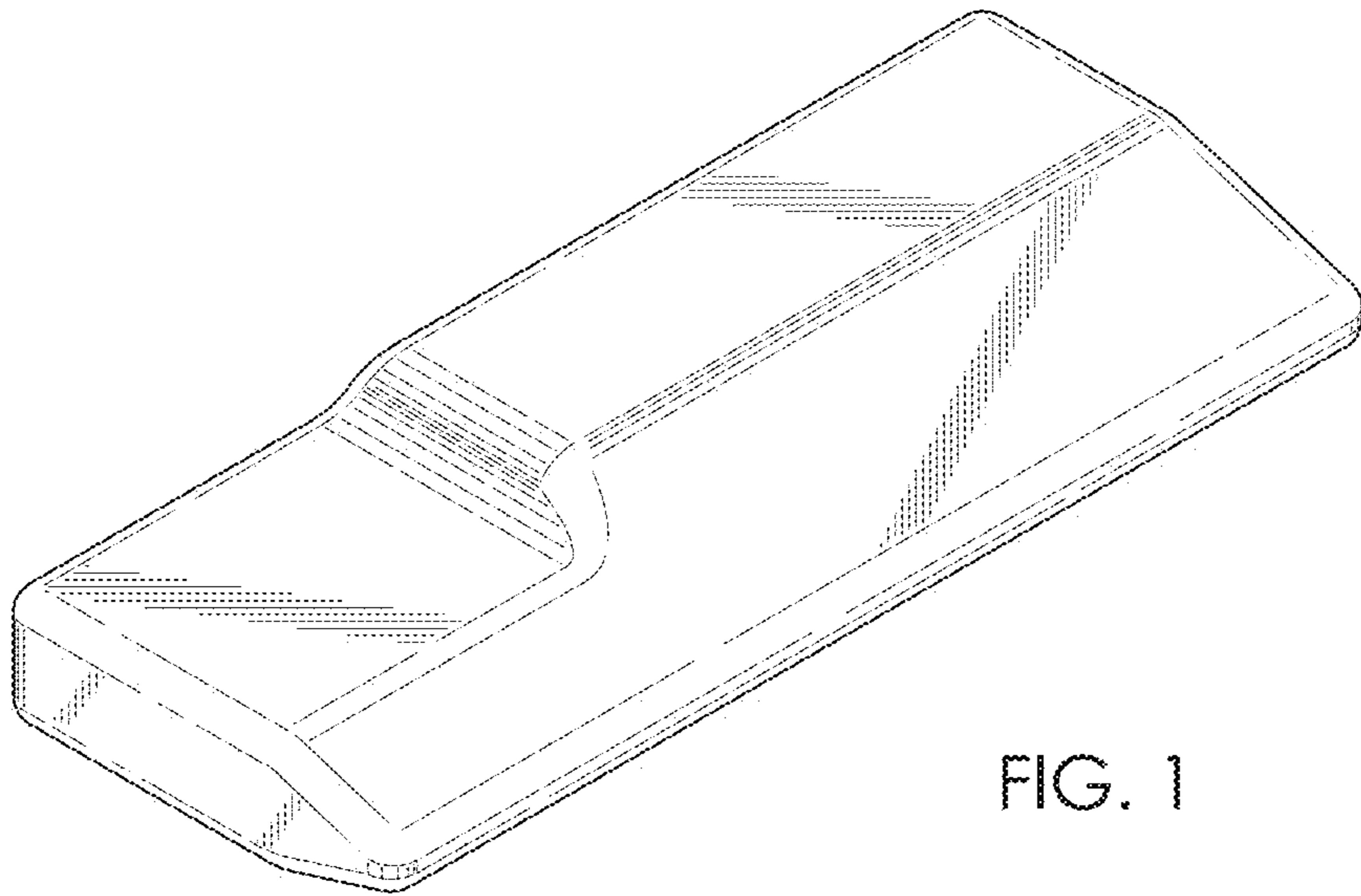


FIG. 1

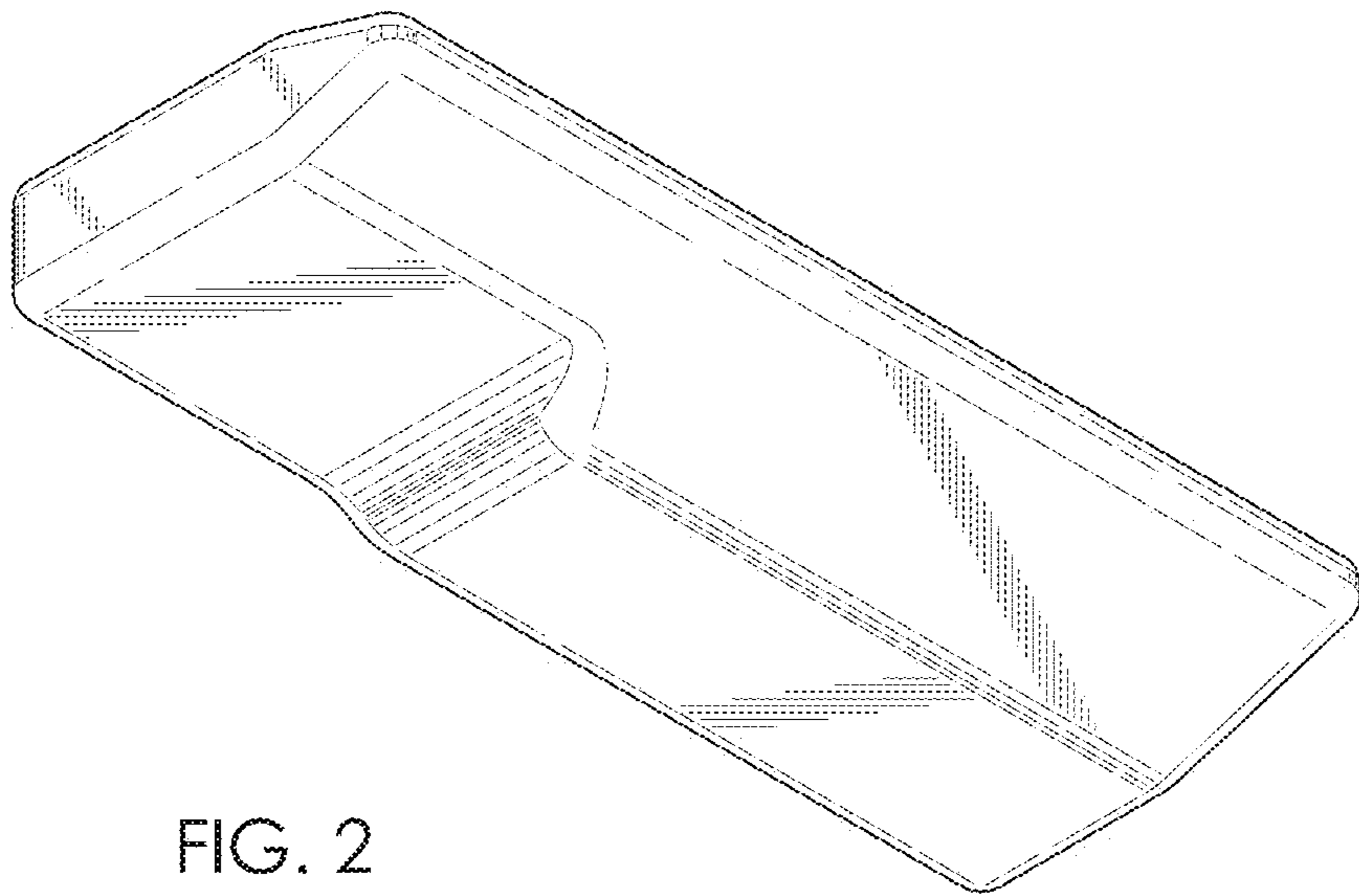


FIG. 2

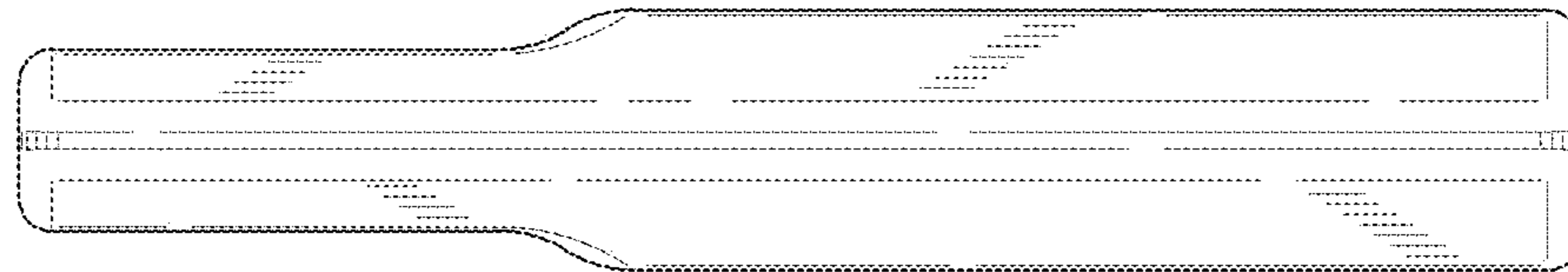


FIG. 3

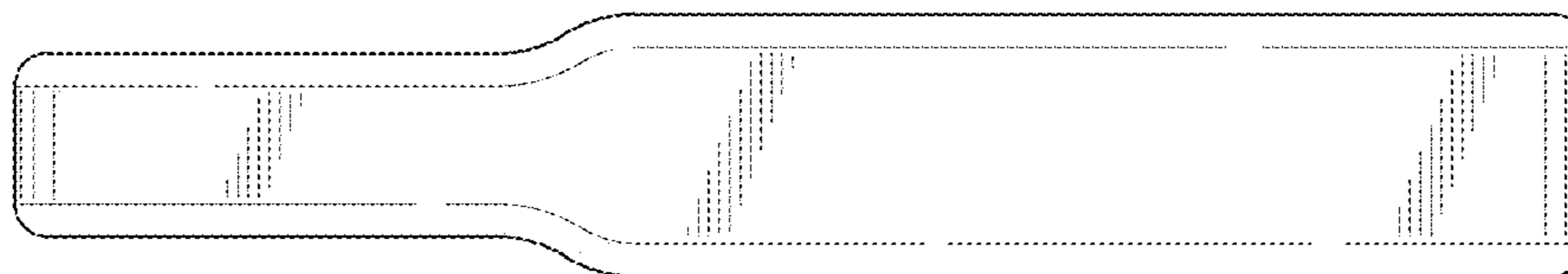


FIG. 4

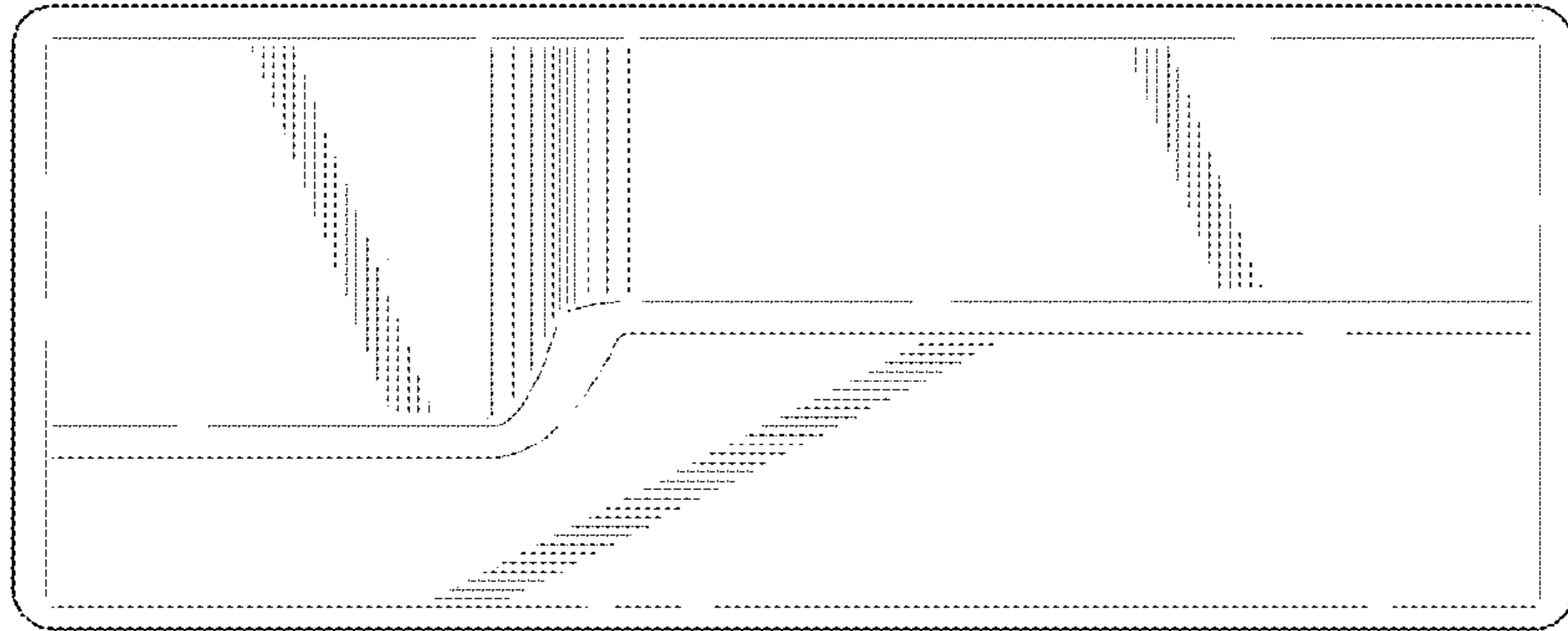


FIG. 5

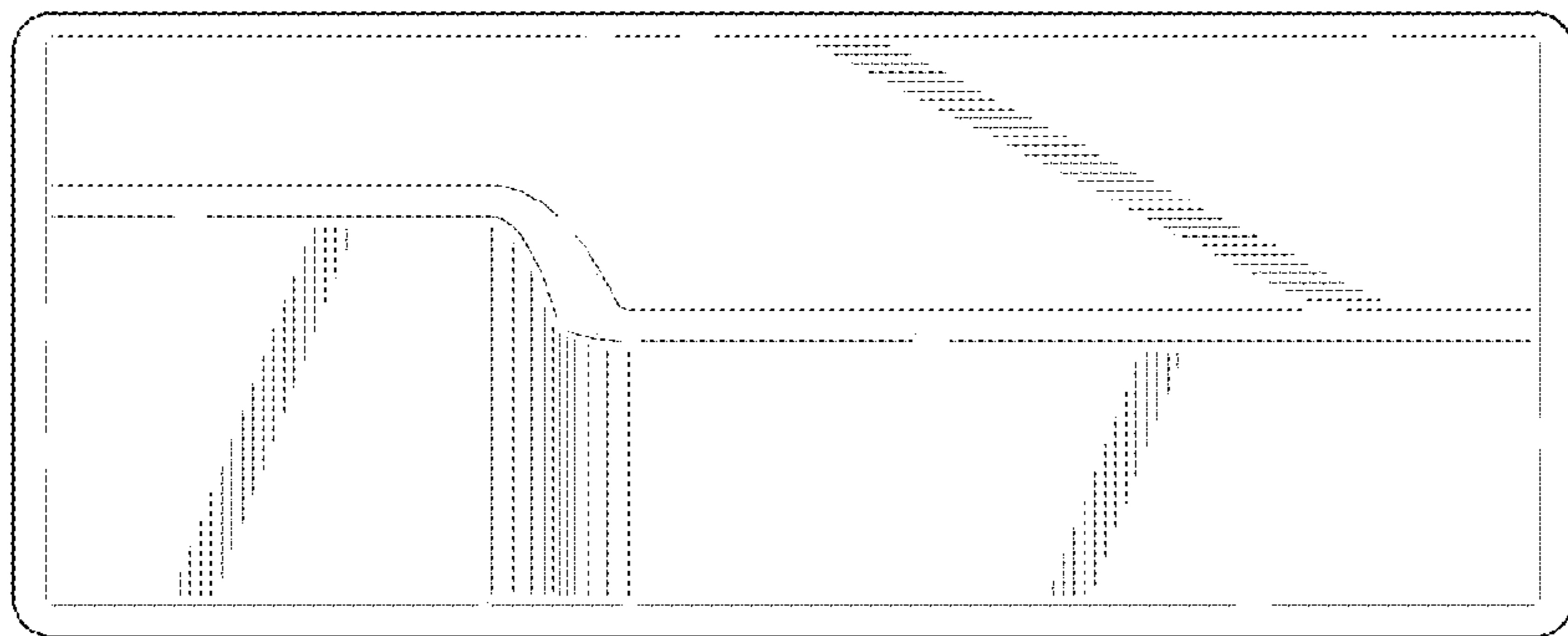


FIG. 6

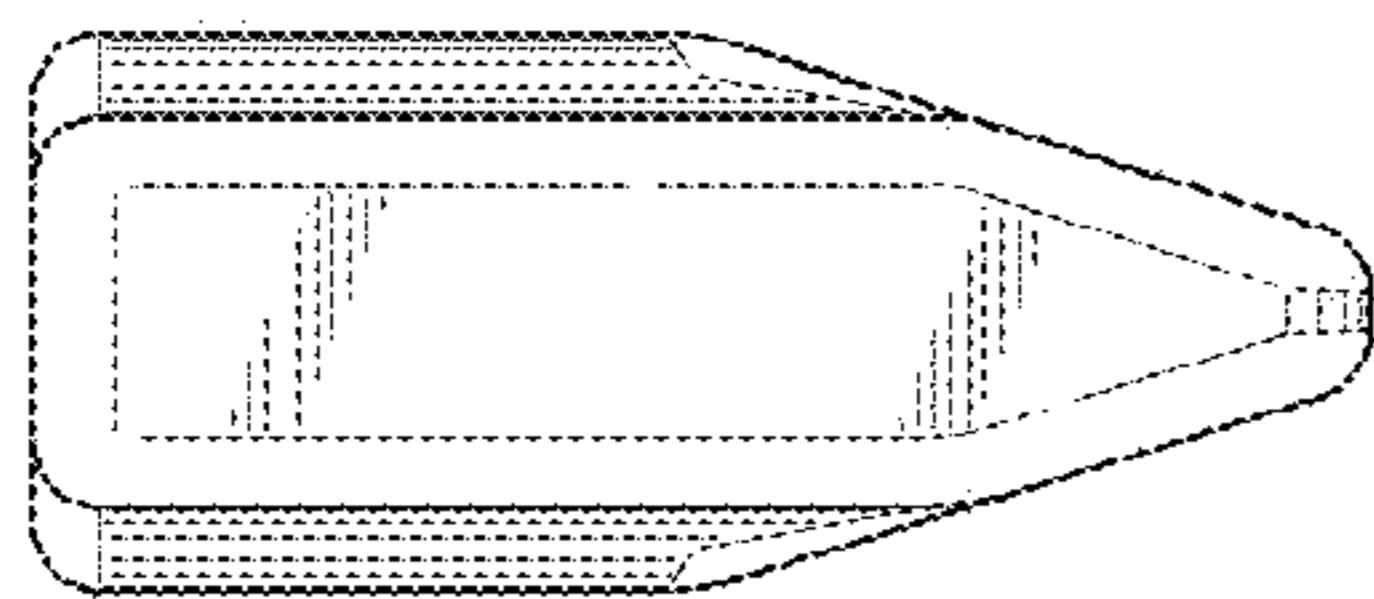


FIG. 7

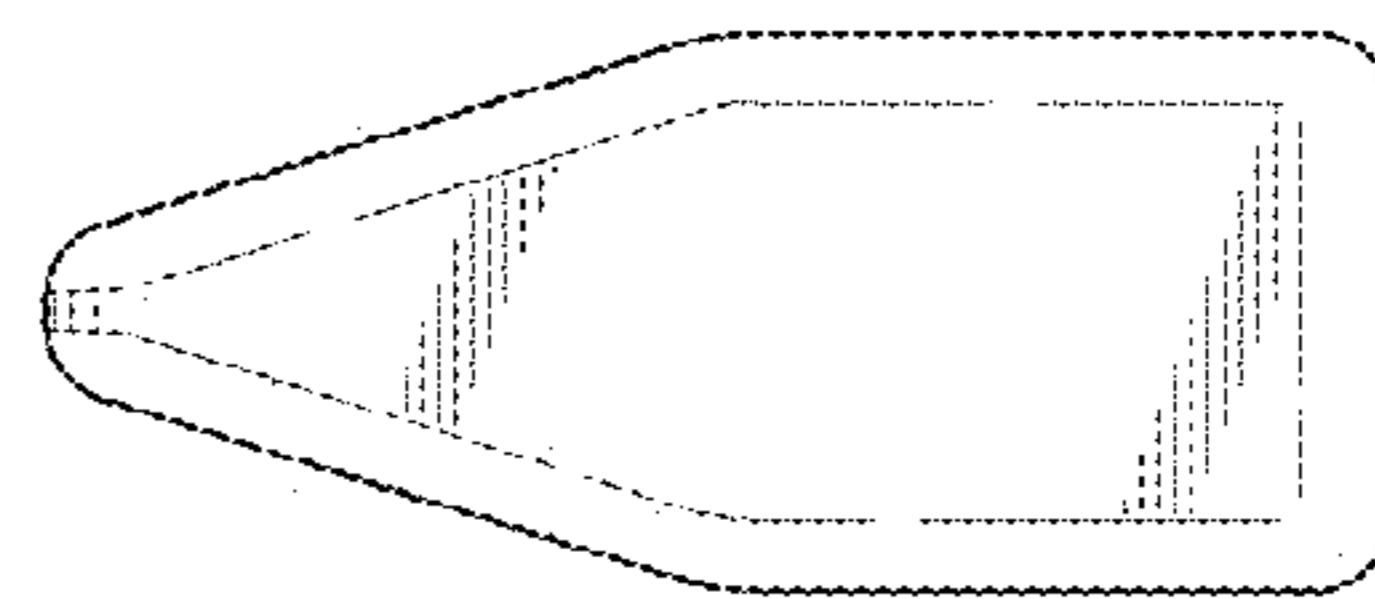


FIG. 8

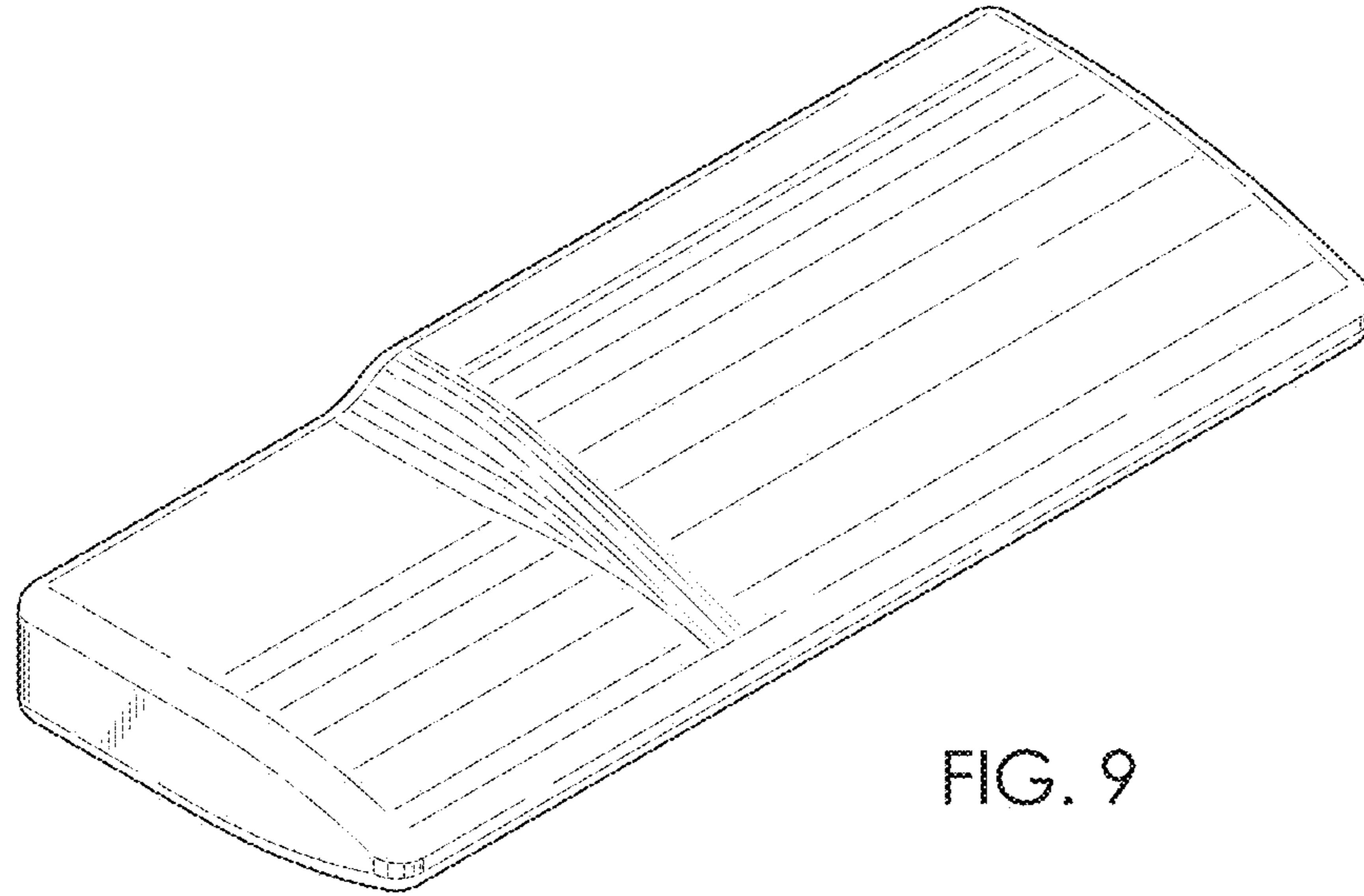


FIG. 9

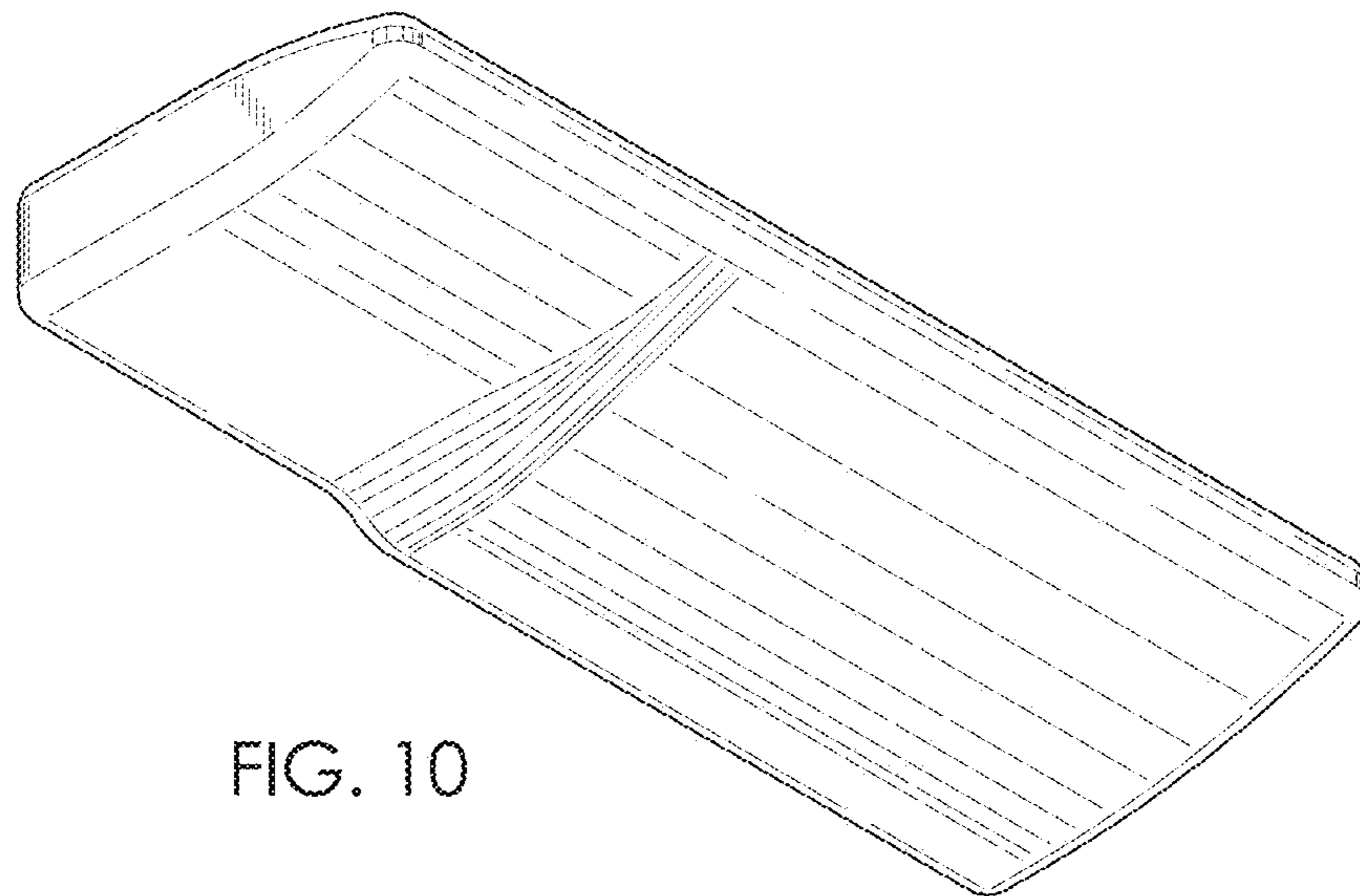


FIG. 10

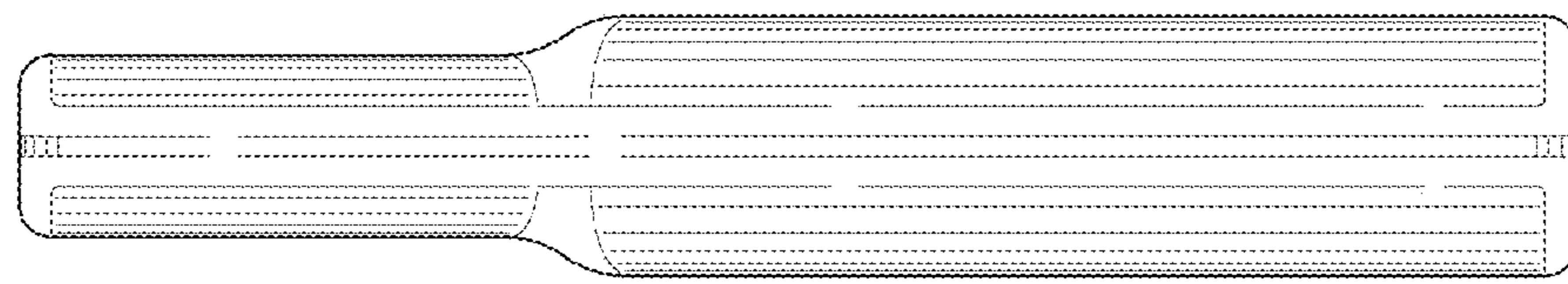


FIG. 11

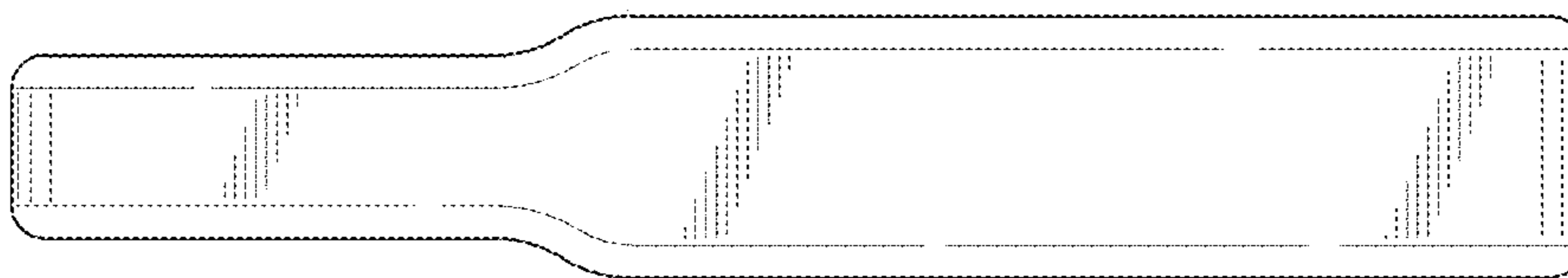


FIG. 12

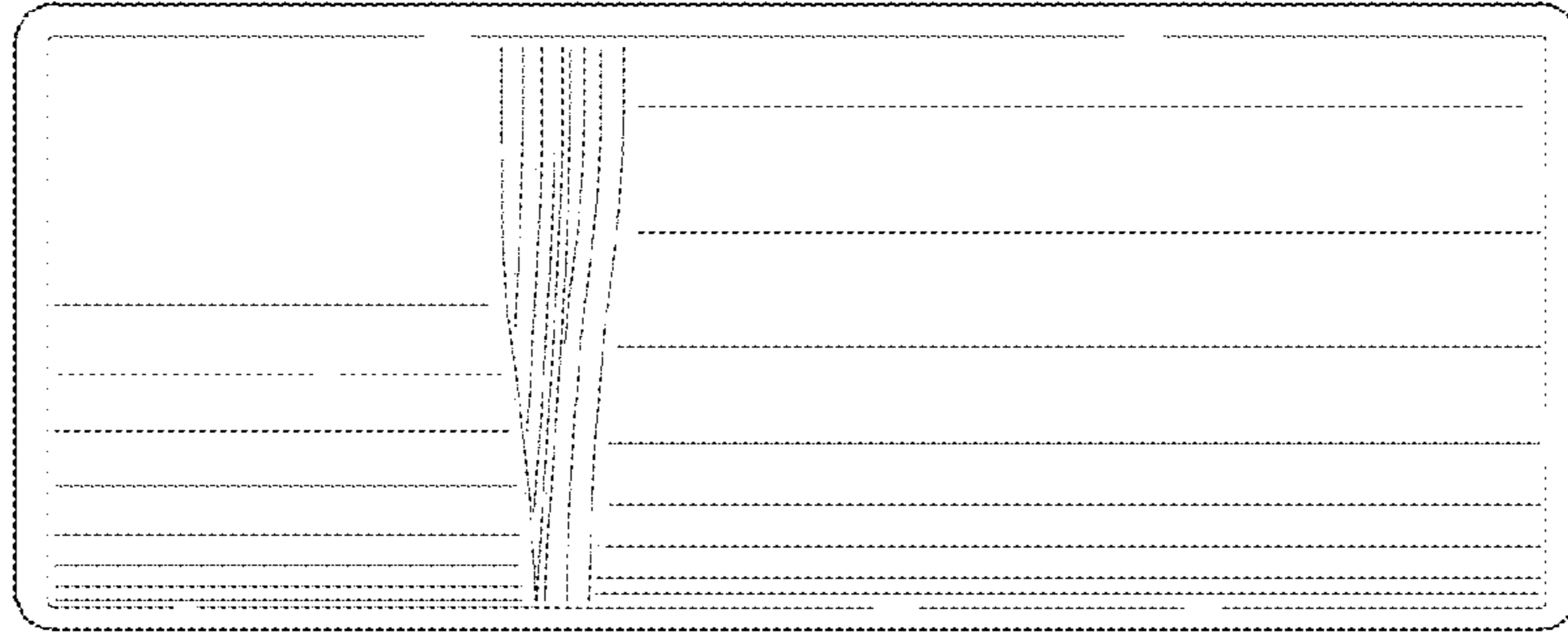


FIG. 13

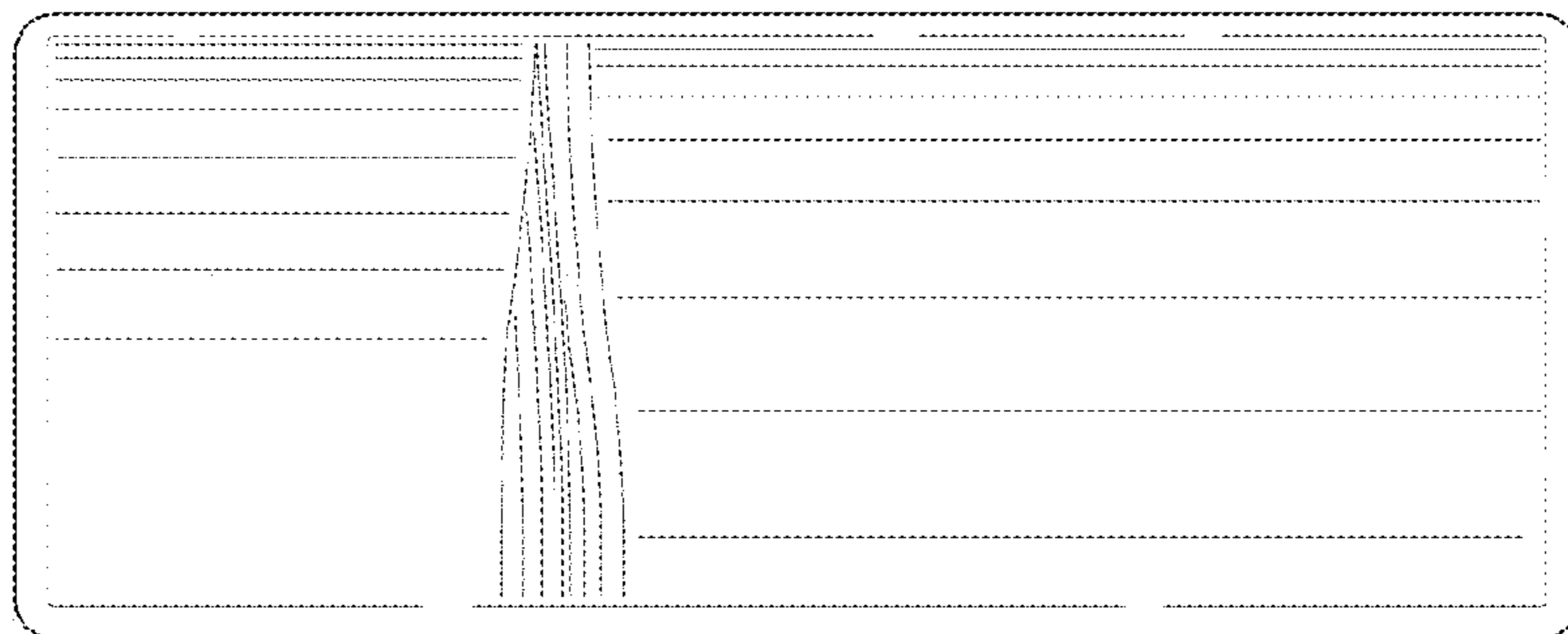


FIG. 14

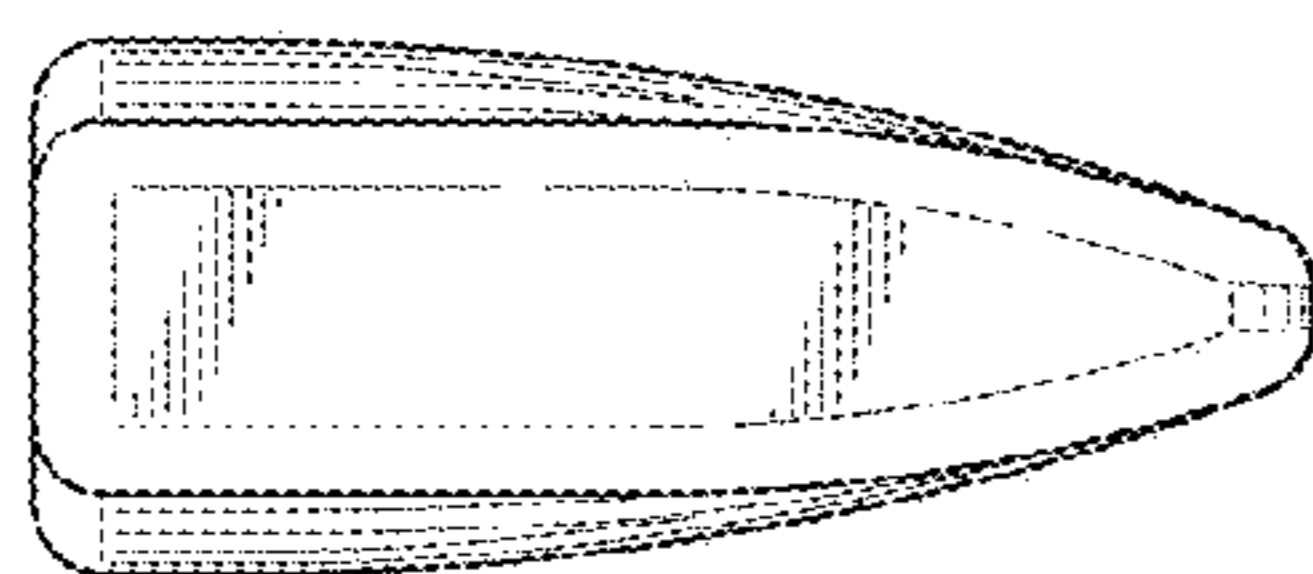


FIG. 15

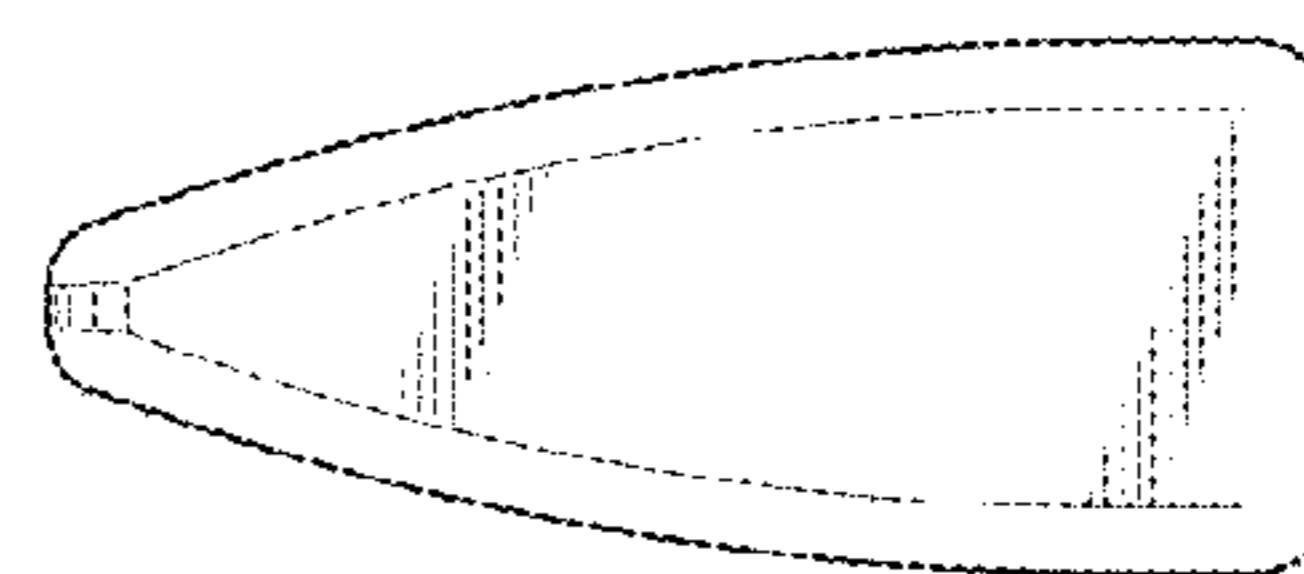


FIG. 16

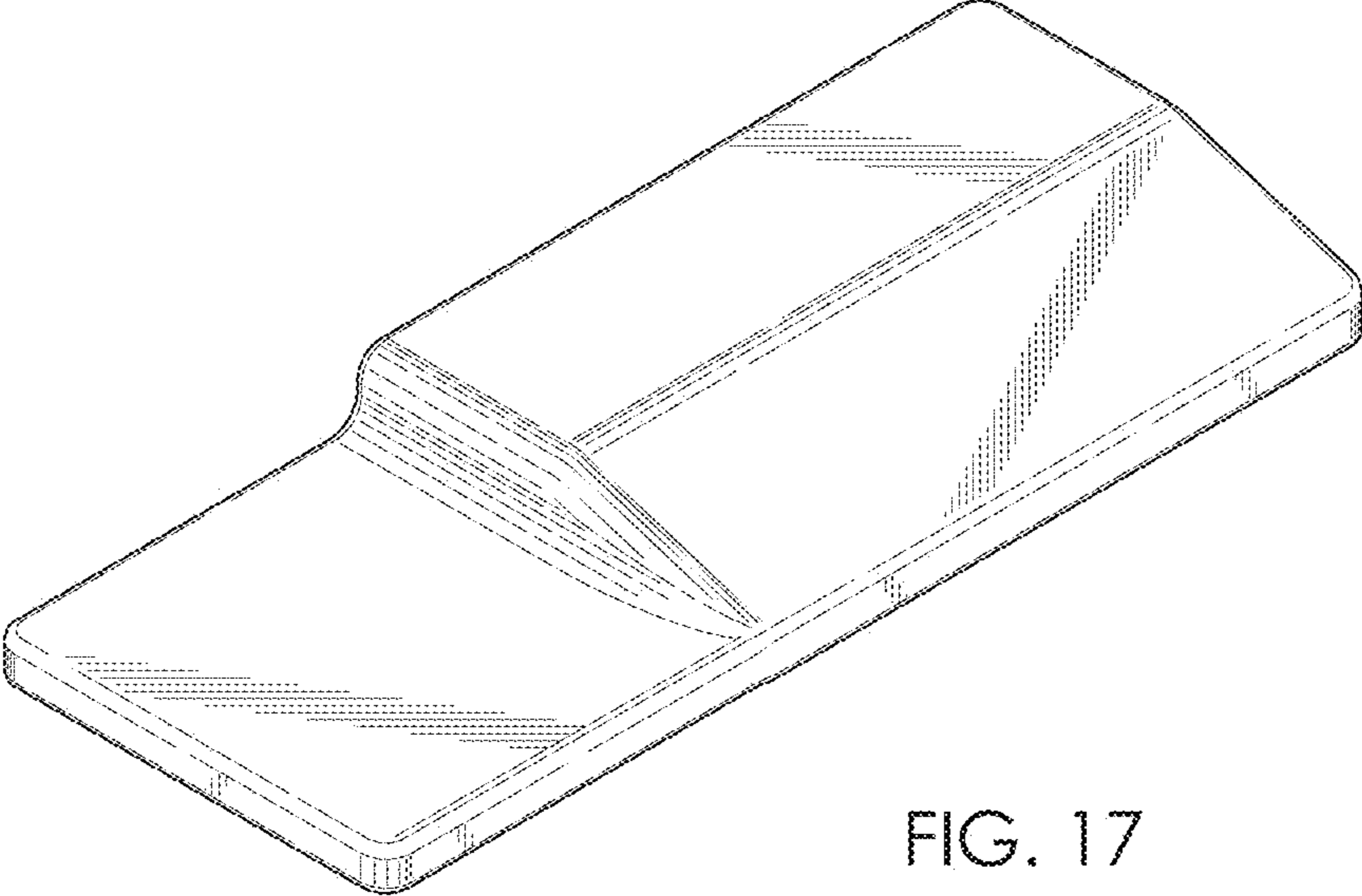


FIG. 17

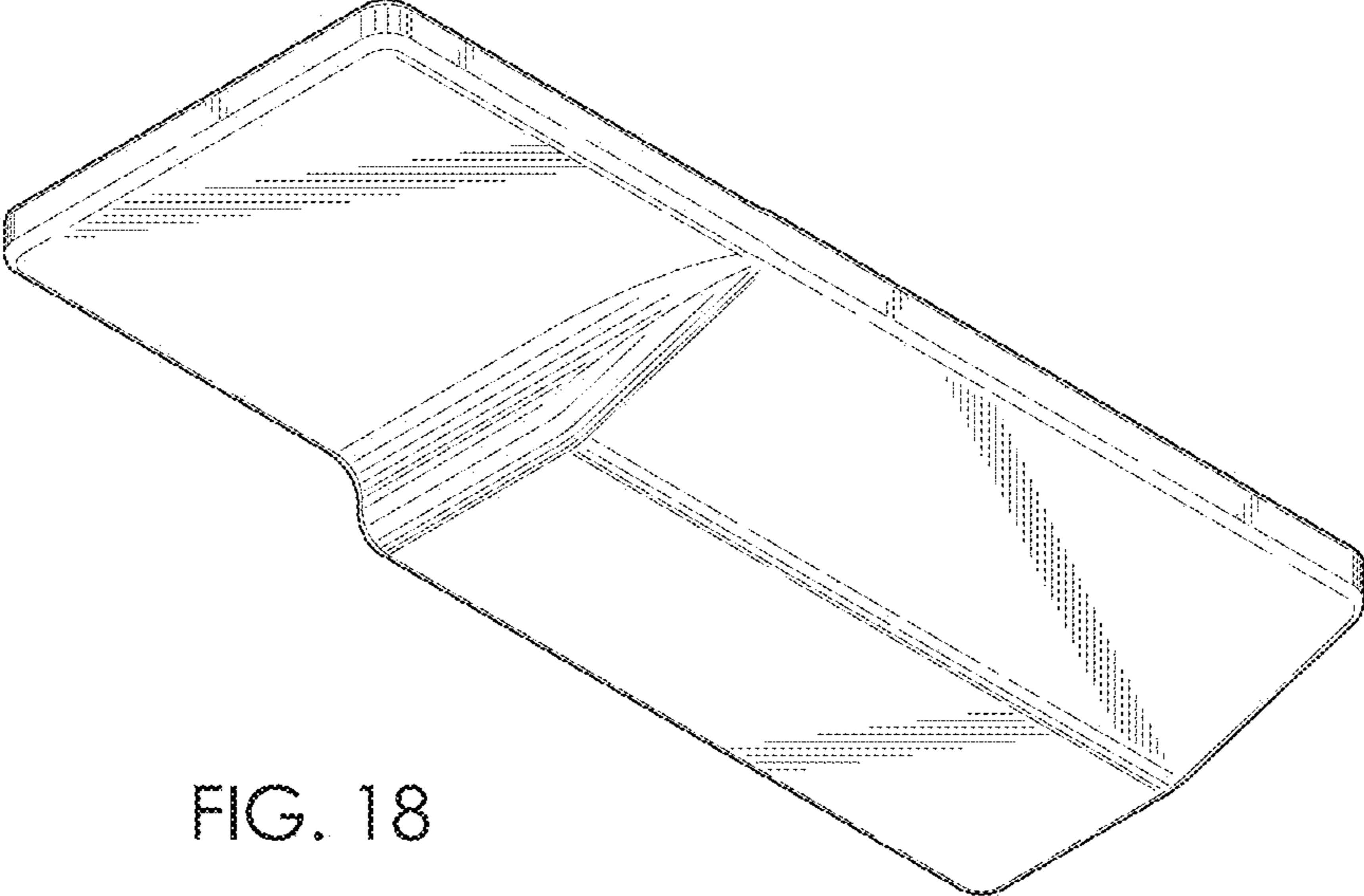


FIG. 18

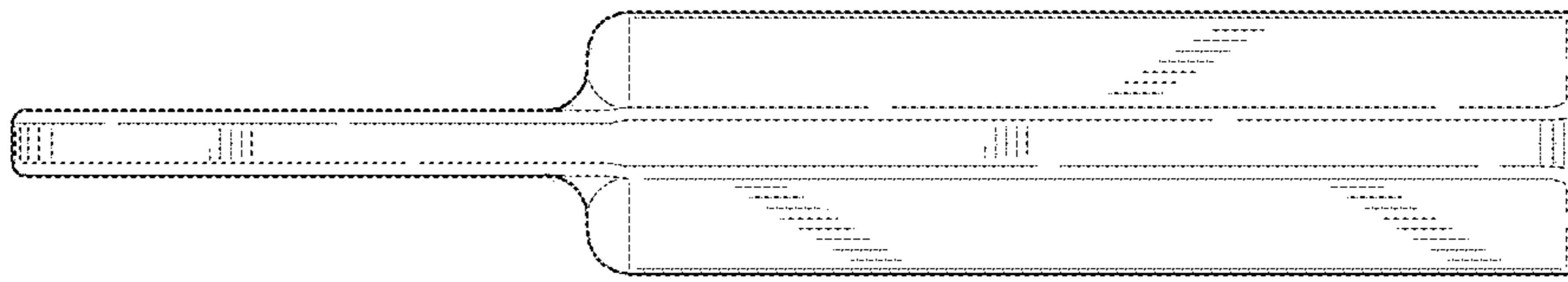


FIG. 19

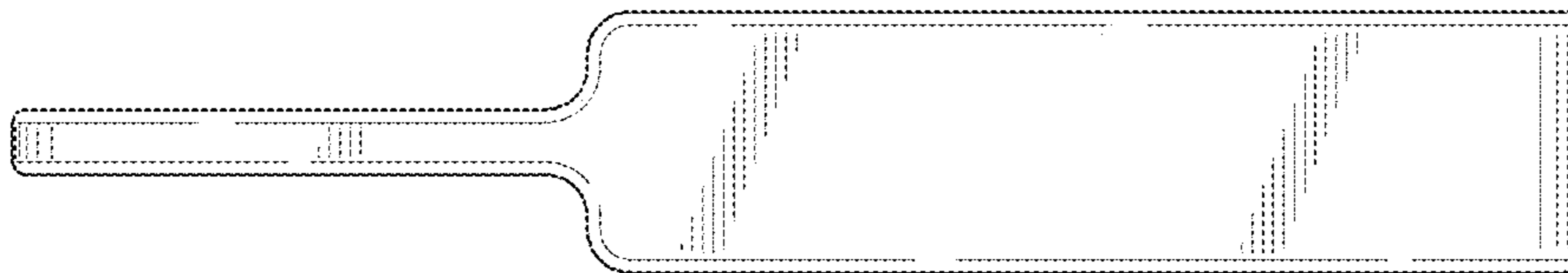


FIG. 20

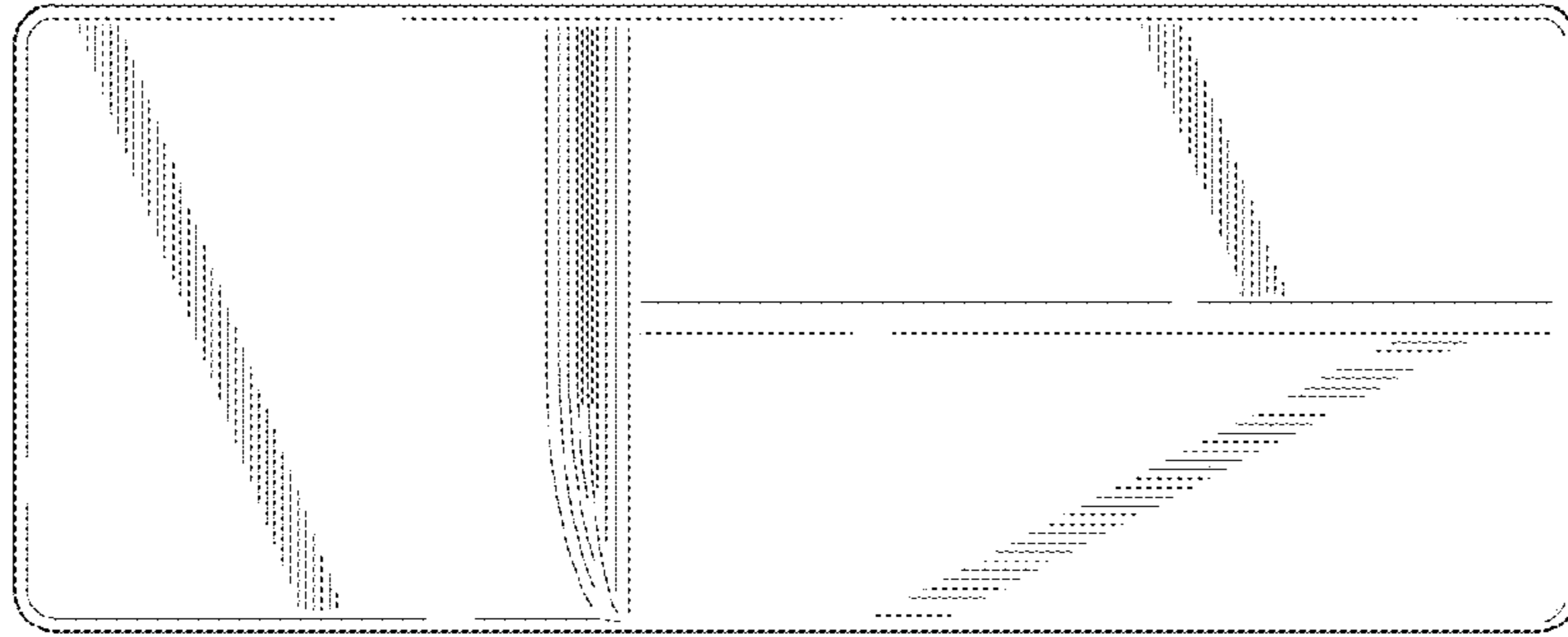


FIG. 21

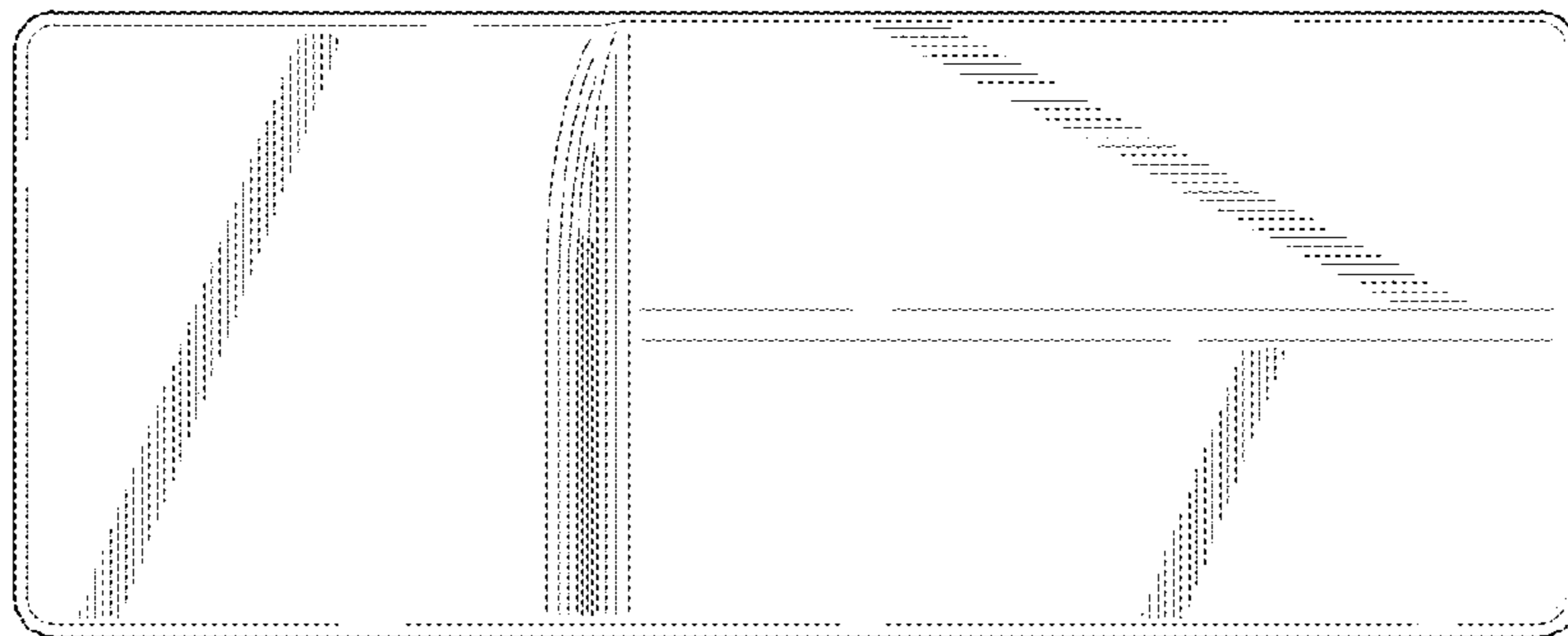


FIG. 22

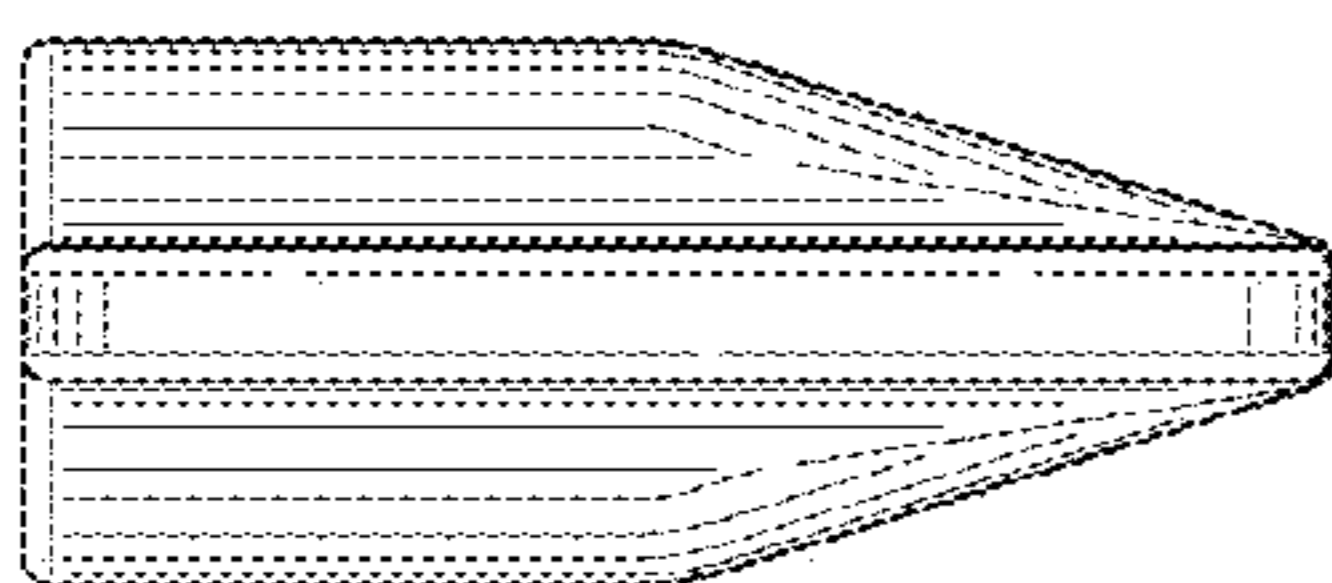


FIG. 23

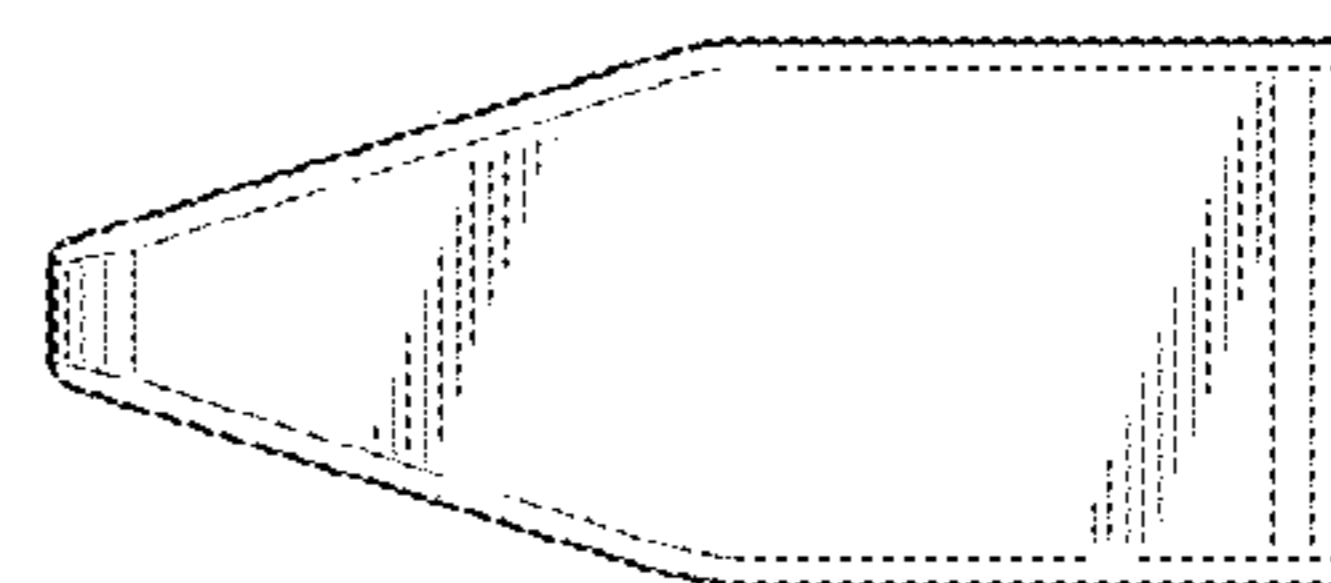


FIG. 24