



US00D736541S

(12) **United States Design Patent**  
**Maldonado**

(10) **Patent No.:** **US D736,541 S**

(45) **Date of Patent:** **\*\* Aug. 18, 2015**

(54) **ORTHOPEDIC PILLOW**

(71) Applicant: **Billie Maldonado**, Los Angeles, CA  
(US)

(72) Inventor: **Billie Maldonado**, Los Angeles, CA  
(US)

(\*\*) Term: **14 Years**

(21) Appl. No.: **29/476,563**

(22) Filed: **Dec. 13, 2013**

(51) **LOC (10) Cl.** ..... **06-09**

(52) **U.S. Cl.**  
USPC ..... **D6/601**

(58) **Field of Classification Search**

USPC ..... D6/349, 375, 512, 595, 596, 601, 604,  
D6/611, 715, 716, 716.1; D21/803, 804,  
D21/805, 809; D24/183-185, 234; 5/401,  
5/417, 419, 420, 600, 625, 630-636, 638,  
5/639, 646, 652, 653, 655, 655.4, 690,  
5/703, 730, 933, 946, 947; 128/202.18,  
128/845; 297/180.11, 393, 397, 452.26,  
297/452.48, 452.62, 482; 441/127; 602/13

See application file for complete search history.

(56) **References Cited**

**U.S. PATENT DOCUMENTS**

2,700,779	A	2/1955	Tolkowsky	
2,782,427	A	2/1957	Ericson	
3,046,573	A *	7/1962	Davis, Sr. et al.	5/652
3,333,286	A *	8/1967	Biolik	5/632
D271,647	S *	12/1983	McLeod	D6/596
4,635,306	A *	1/1987	Willey	5/632
D309,542	S *	7/1990	Glenn	D6/596
D311,109	S *	10/1990	Geschwender	D6/601
5,479,667	A	1/1996	Nelson	
D384,850	S *	10/1997	Fanuzzi	D6/601
5,987,675	A	11/1999	Kim	

D442,006	S *	5/2001	Miller	D6/601
6,292,964	B1 *	9/2001	Rose et al.	5/630
6,371,894	B1	4/2002	Hill	
6,553,995	B1 *	4/2003	Cole et al.	128/846
6,578,217	B1 *	6/2003	Roberson	5/632
D565,131	S *	3/2008	Decker	D21/686
7,908,691	B2	3/2011	Small	
7,966,679	B2 *	6/2011	Sakata et al.	5/653
8,033,030	B2	10/2011	MacFarlane	
8,069,515	B1	12/2011	Tingey	
8,291,534	B2	10/2012	Karlson	
D675,267	S *	1/2013	Jamison, Jr.	D21/686
8,850,634	B2 *	10/2014	Ponsi et al.	5/81.1 R
2007/0294829	A1 *	12/2007	Callahan et al.	5/636
2011/0056503	A1	3/2011	Abraham	

\* cited by examiner

*Primary Examiner* — Eric Goodman

*Assistant Examiner* — Jennifer L Rempfer

(74) *Attorney, Agent, or Firm* — Buche & Associates, PC;  
John K. Buche

(57) **CLAIM**

I claim the ornamental design of an orthopedic pillow, as shown and described.

**DESCRIPTION**

FIG. 1 is a top perspective view of the pillow highlighting the cut out which is the claimed part of the design.

FIG. 2 is a top view of the pillow highlighting the cut out which is the claimed part of the design.

FIG. 3 is a bottom view of the pillow highlighting the cut out which is the claimed part of the design.

FIG. 4 is a left-side view of the pillow.

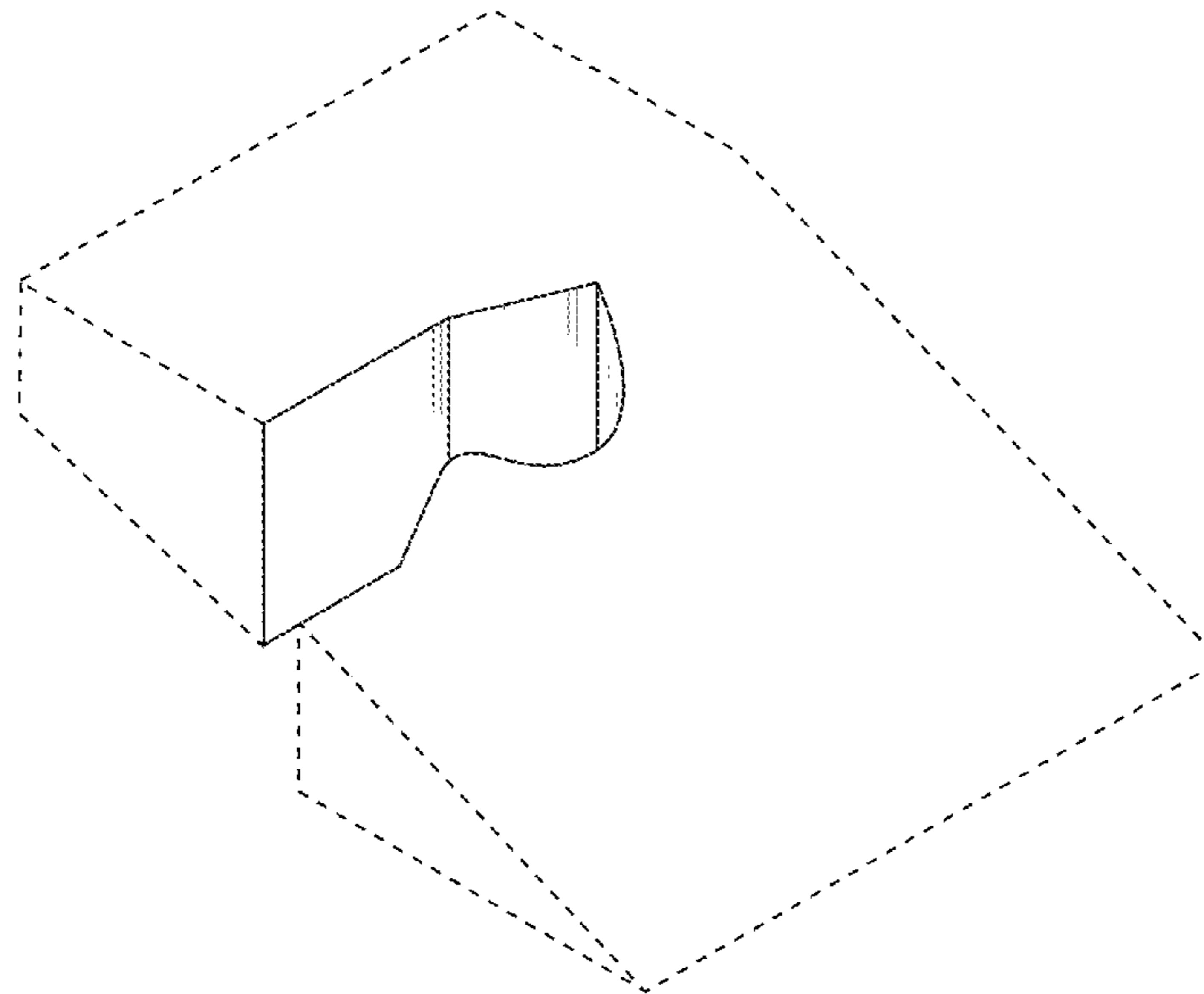
FIG. 5 is a right-side view of the pillow.

FIG. 6 is a front view of the pillow; and,

FIG. 7 is a back view of the pillow.

The broken lines of the Figures illustrate structure and portions of the pillow that form no part of the claimed design.

**1 Claim, 5 Drawing Sheets**



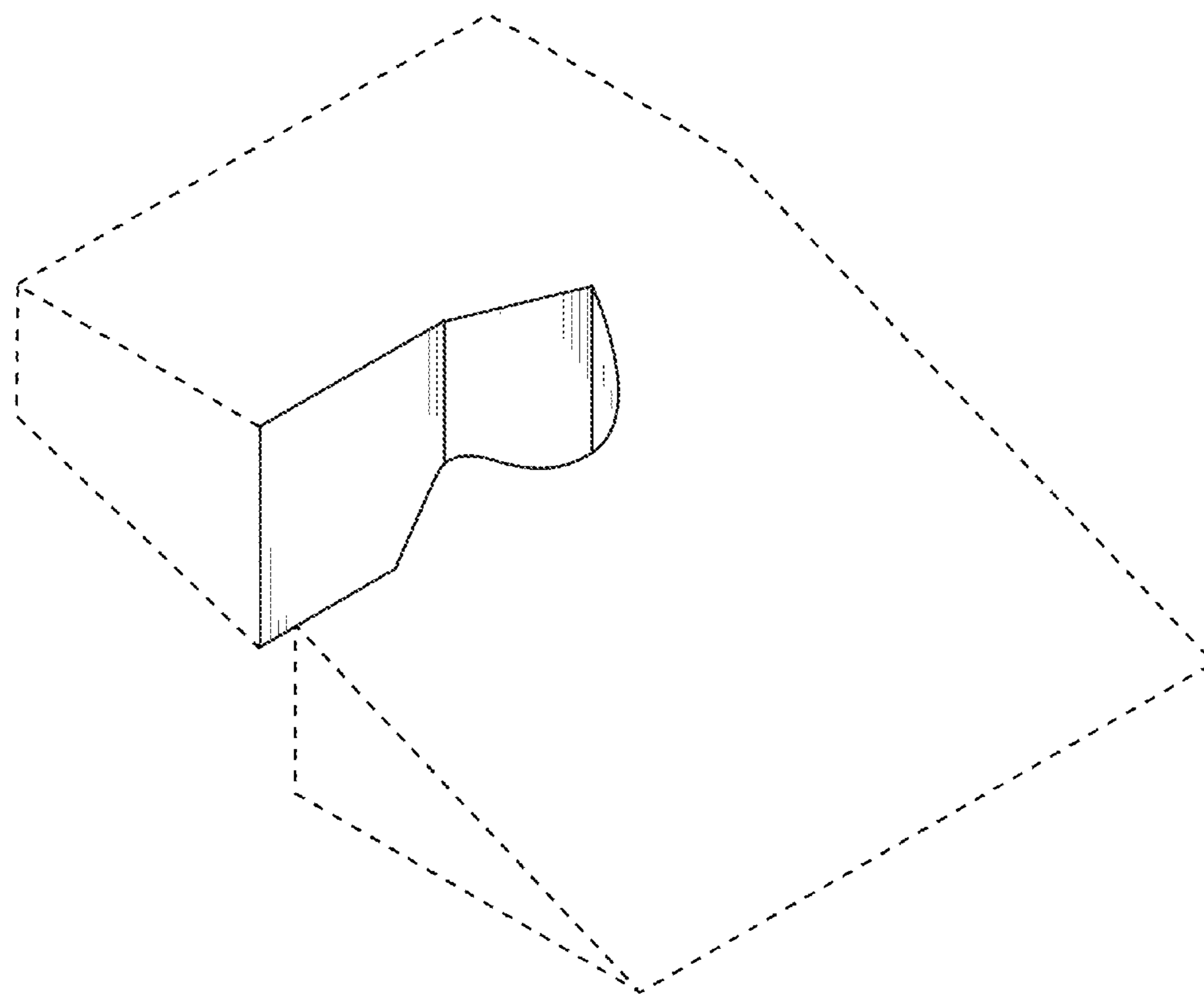


FIG. 1

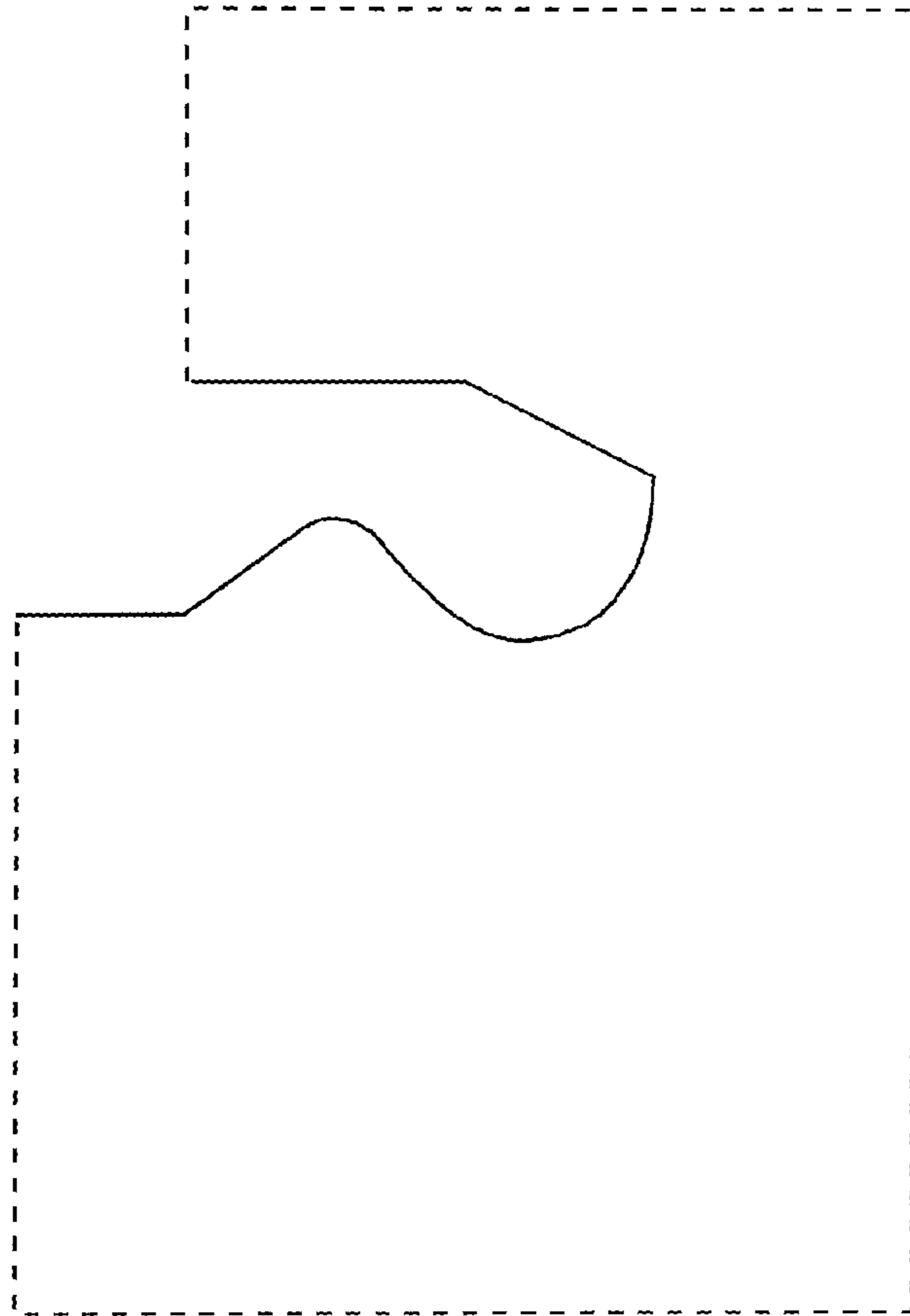


FIG. 2

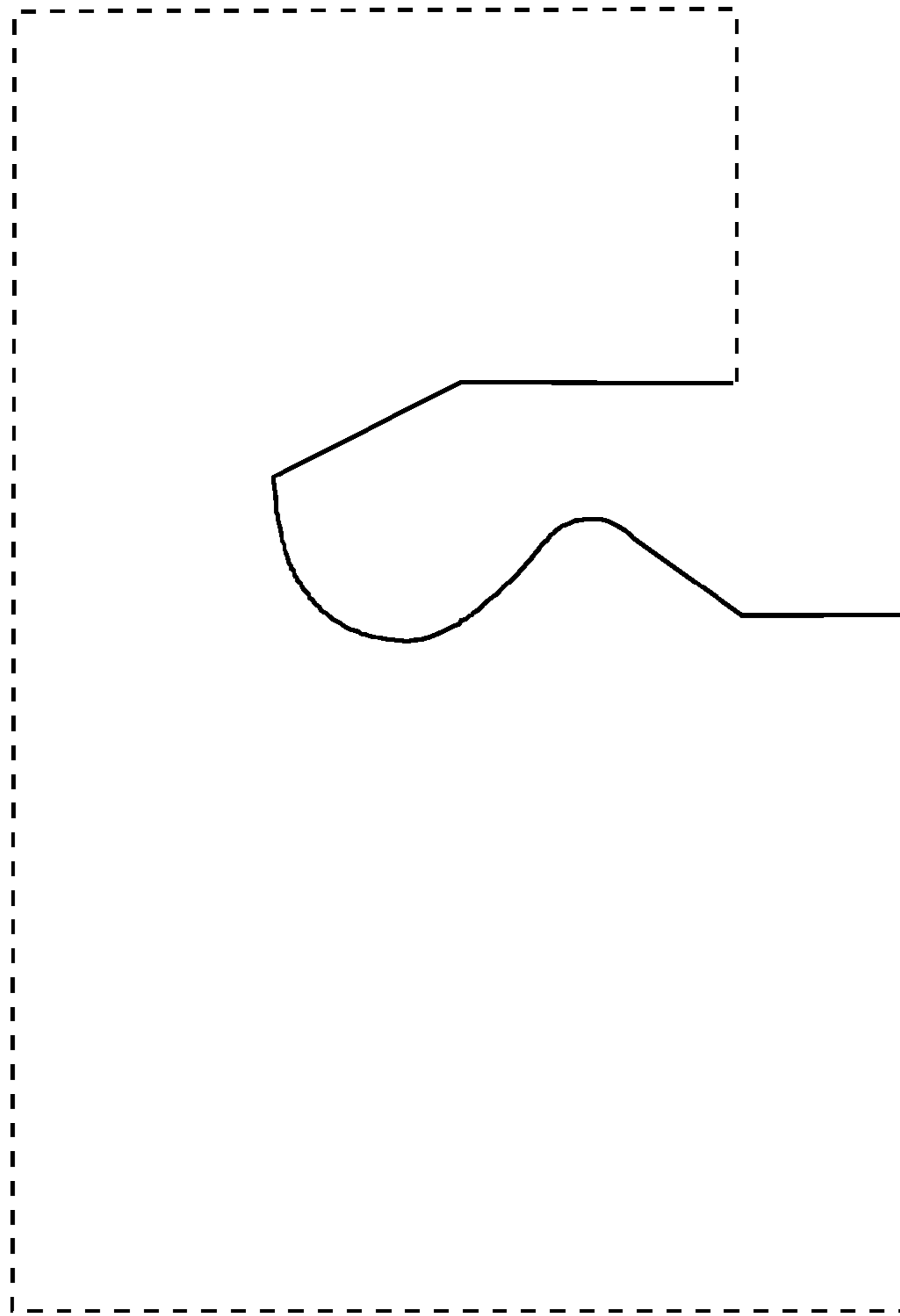


FIG. 3

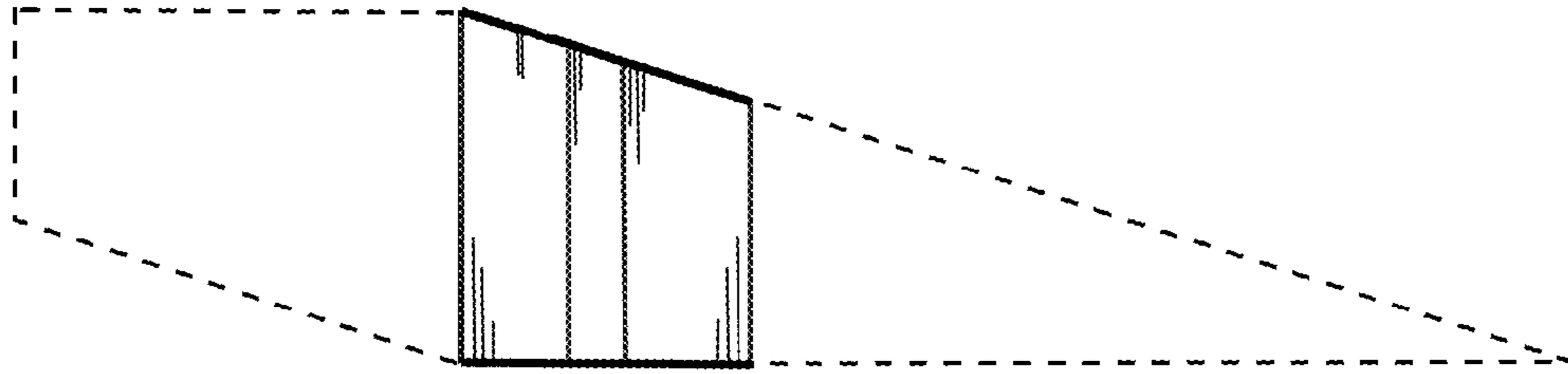


FIG. 4

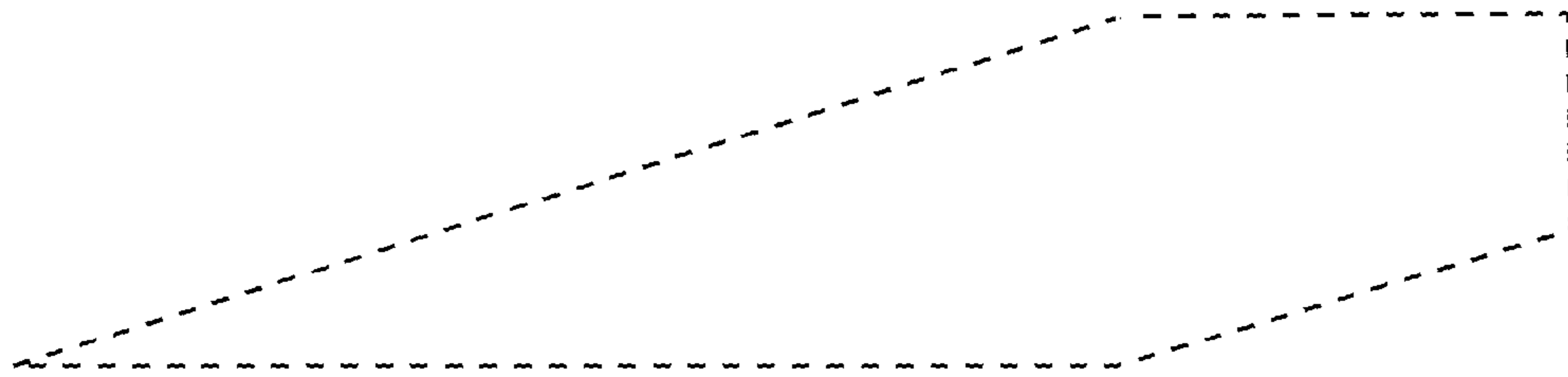


FIG. 5

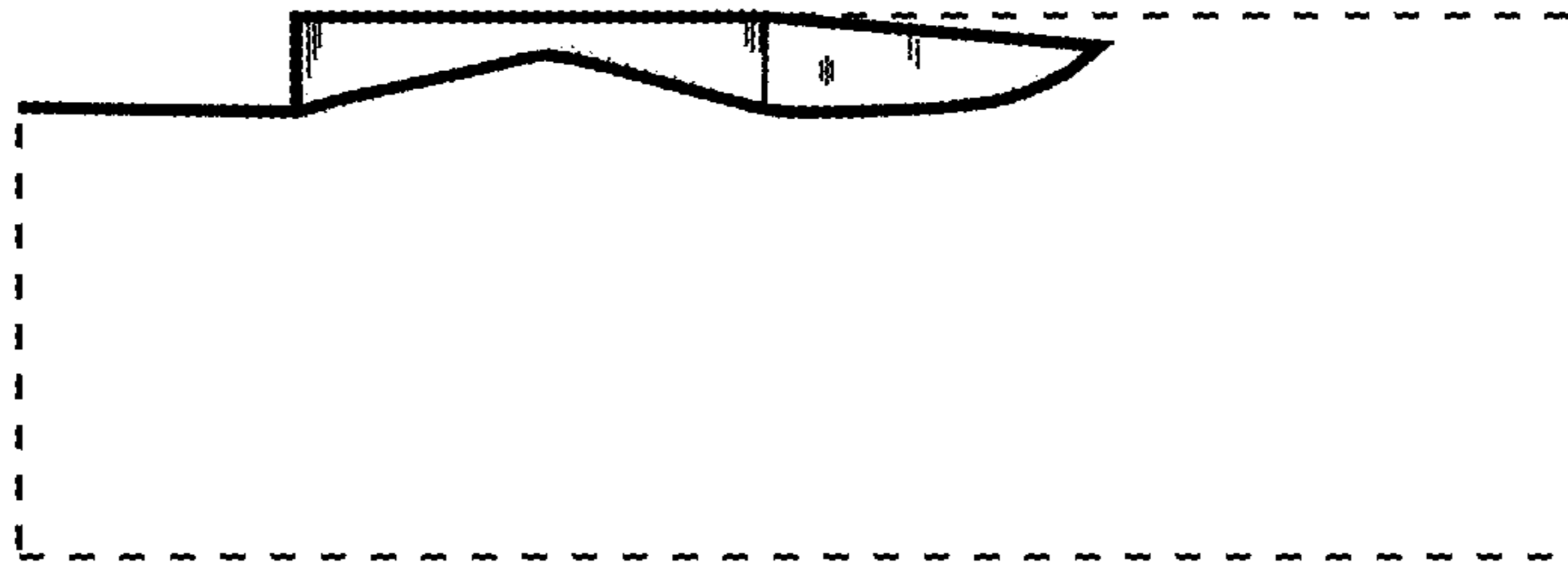


FIG. 6

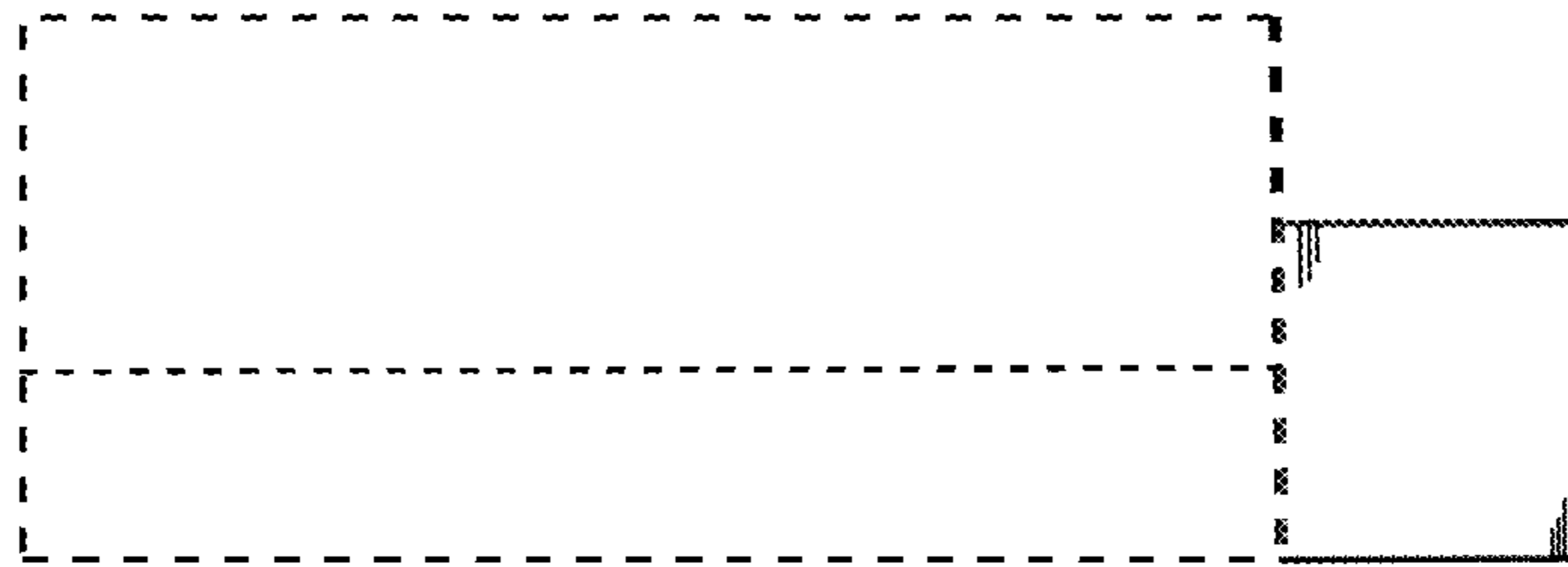


FIG. 7