



US00D736537S

(12) **United States Design Patent**  
**Grossman et al.**

(10) **Patent No.:** **US D736,537 S**

(45) **Date of Patent:** **\*\* Aug. 18, 2015**

(54) **EXTENSIBLE BED**

(74) *Attorney, Agent, or Firm* — Harness, Dickey & Pierce, P.L.C.

(71) Applicants: **Joel Grossman**, Petaling Jaya (MY);  
**Howard Porter**, Kuala Lumpur (MY)

(57) **CLAIM**  
The ornamental design for an extensible bed, as shown and described.

(72) Inventors: **Joel Grossman**, Petaling Jaya (MY);  
**Howard Porter**, Kuala Lumpur (MY)

**DESCRIPTION**

(73) Assignee: **Night and Day Furniture LLC**,  
Vancouver, WA (US)

FIG. 1 is an upper, left, front perspective view of the extensible bed showing our new design with the back in a seat position;  
FIG. 2 is an enlarged view of FIG. 1 with the back in a seat position;  
FIG. 3 is an upper, left, rear perspective view of the extensible bed with the back in a seat position;  
FIG. 4 is an enlarged view of FIG. 3 with the back in a seat position;  
FIG. 5 is an upper, left, front perspective view of the extensible bed with the back in a bed position;  
FIG. 6 is an enlarged view of FIG. 5 with the back in a bed position;  
FIG. 7 is an upper, left, rear perspective view of the extensible bed with the back in a bed position;  
FIG. 8 is an enlarged view of FIG. 7 with the back in a bed position;  
FIG. 9 is a left view of the extensible bed with the back in a seat position;  
FIG. 10 a left view of the extensible bed with the back in a reclining position;  
FIG. 11 a left view of the extensible bed with the back in a bed position;  
FIG. 12 is a rear view of the extensible bed with the back in the seat position;  
FIG. 13 is a top view of the extensible bed with the back in the seat position;  
FIG. 14 is a front view of the extensible bed with the back in the bed position; and,  
FIG. 15 is a top view of the extensible bed with the back in the bed position.

(\*\*) Term: **14 Years**

(21) Appl. No.: **29/438,931**

(22) Filed: **Dec. 5, 2012**

(51) **LOC (10) Cl.** ..... **06-02**

(52) **U.S. Cl.**  
USPC ..... **D6/392; D6/395**

(58) **Field of Classification Search**  
USPC ..... D6/382, 392, 395, 718, 718.3, 718.21;  
5/184, 17, 425, 428, 430, 658, 661  
See application file for complete search history.

(56) **References Cited**

U.S. PATENT DOCUMENTS

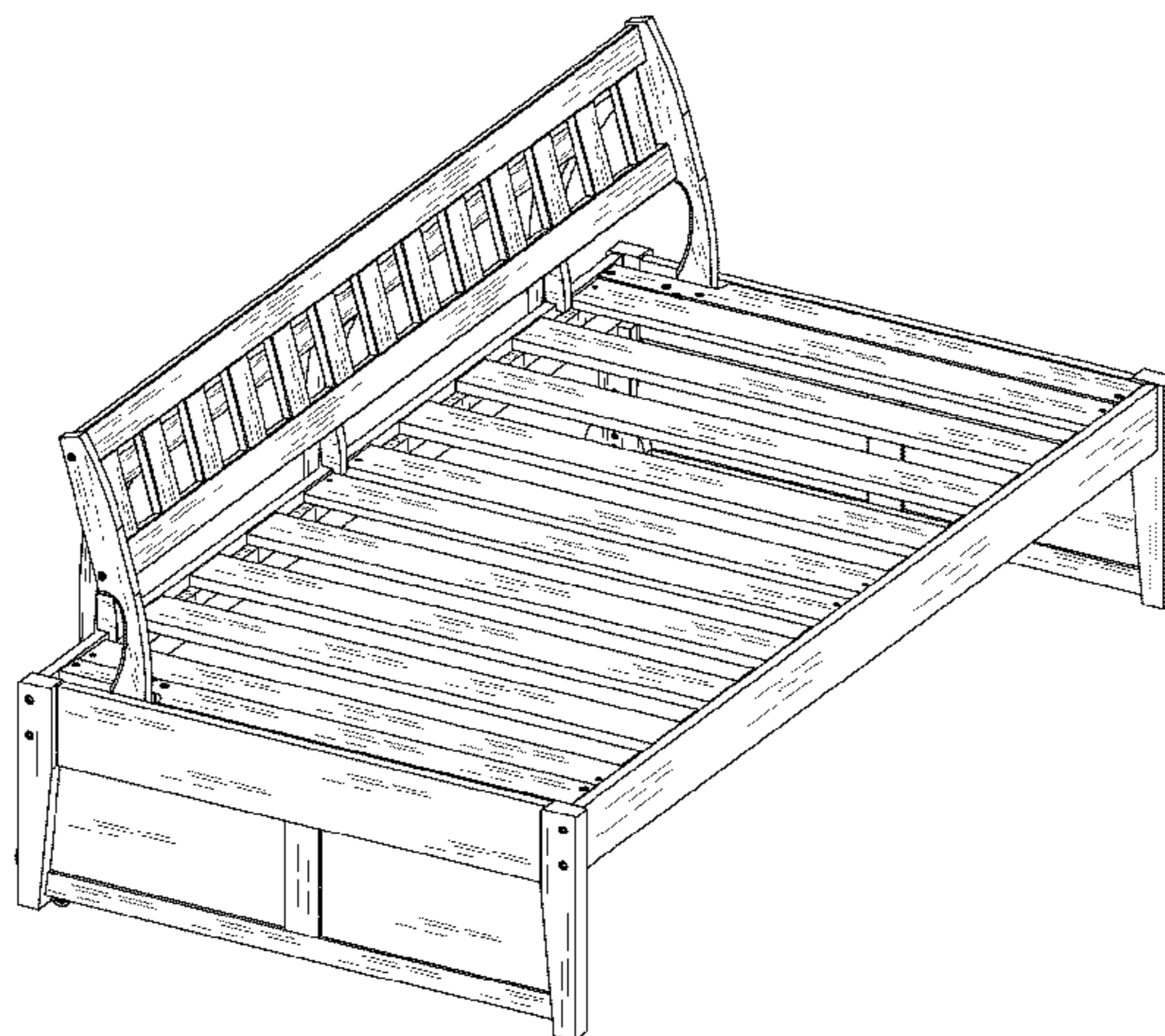
D40,847	S	*	8/1910	Hunt	.....	D6/503
2,594,926	A	*	4/1952	Hoffman	.....	5/430
D400,369	S	*	11/1998	Aaron	.....	D6/383
6,374,437	B1	*	4/2002	Voelker	.....	5/600
D549,019	S	*	8/2007	Jannetides, Sr.	.....	D6/503
D623,432	S	*	9/2010	Porter	.....	D6/383
8,353,070	B1	*	1/2013	Johnsen	.....	5/430

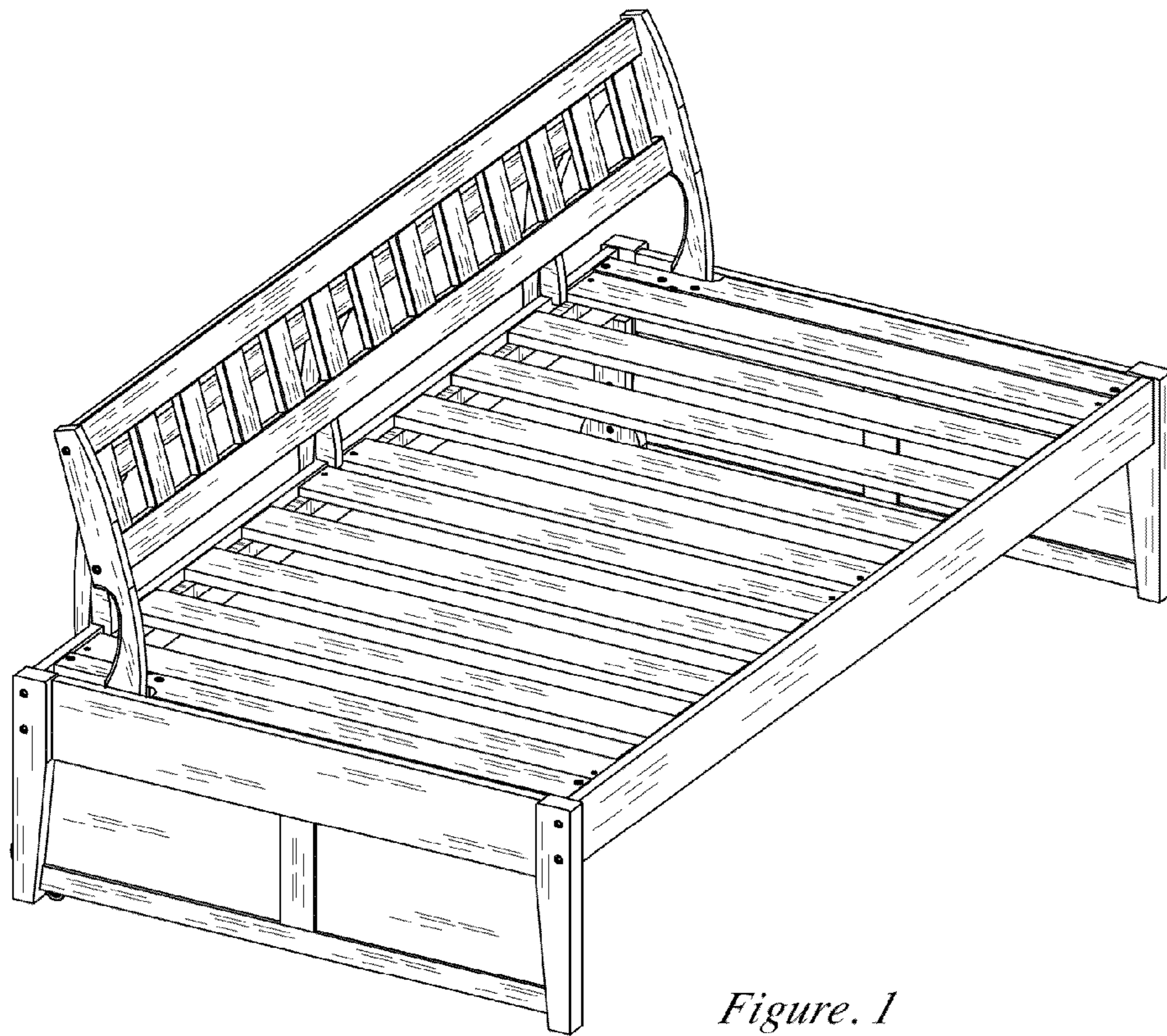
\* cited by examiner

The broken lines are for environmental purposes only and form no part of the claimed design.

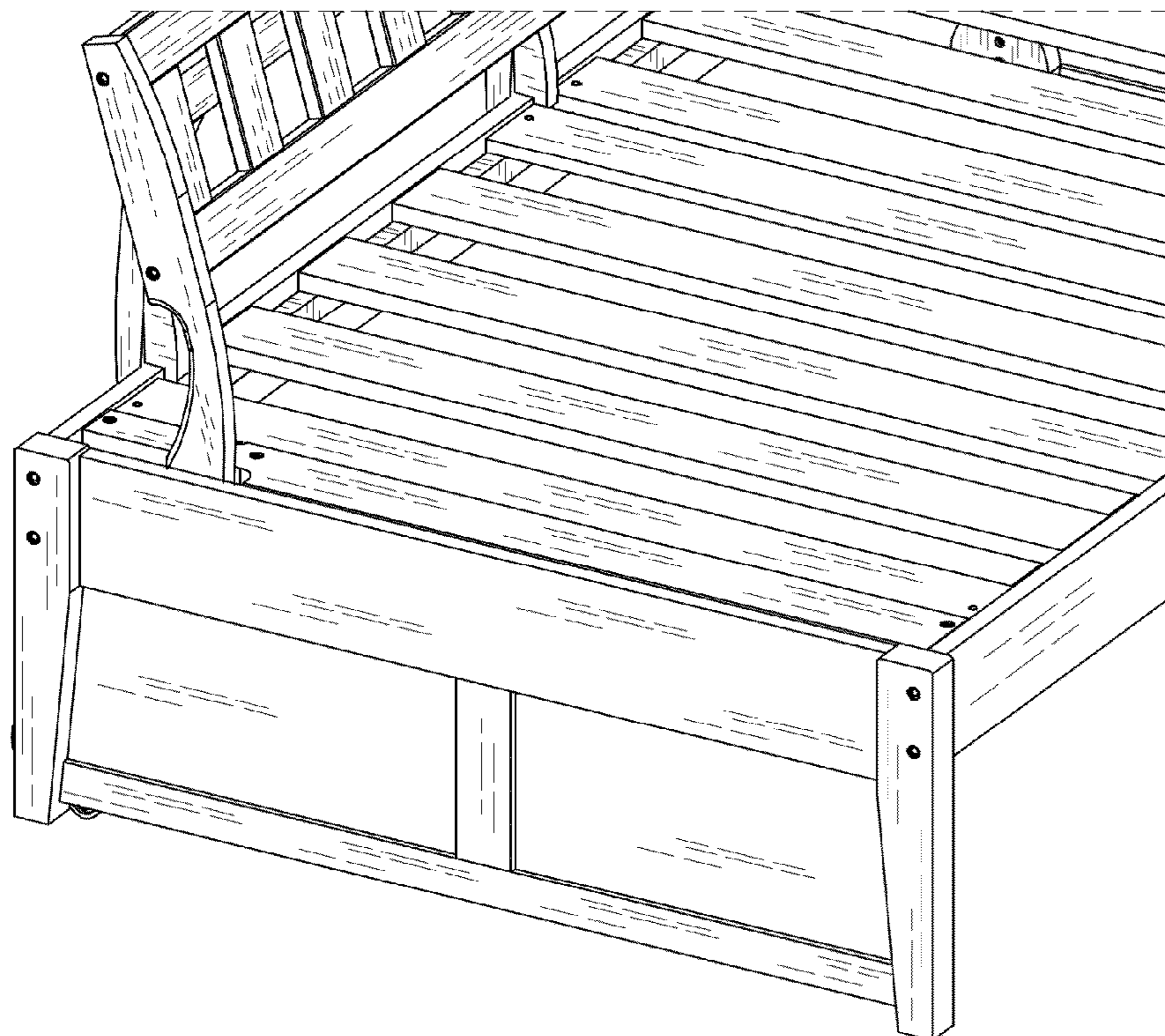
*Primary Examiner* — Janice Seeger

**1 Claim, 7 Drawing Sheets**





*Figure. 1*



*Figure. 2*

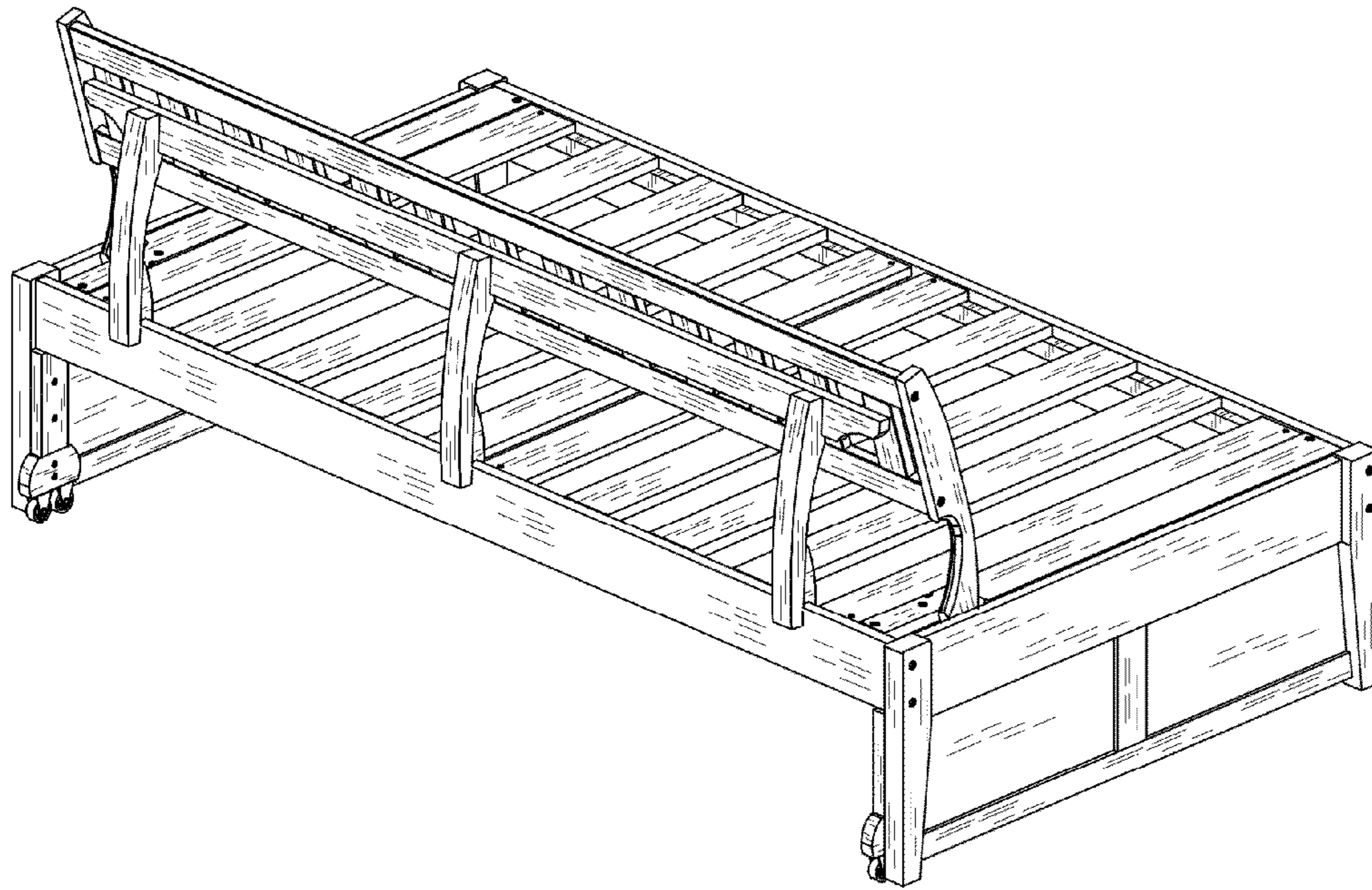


Figure. 3

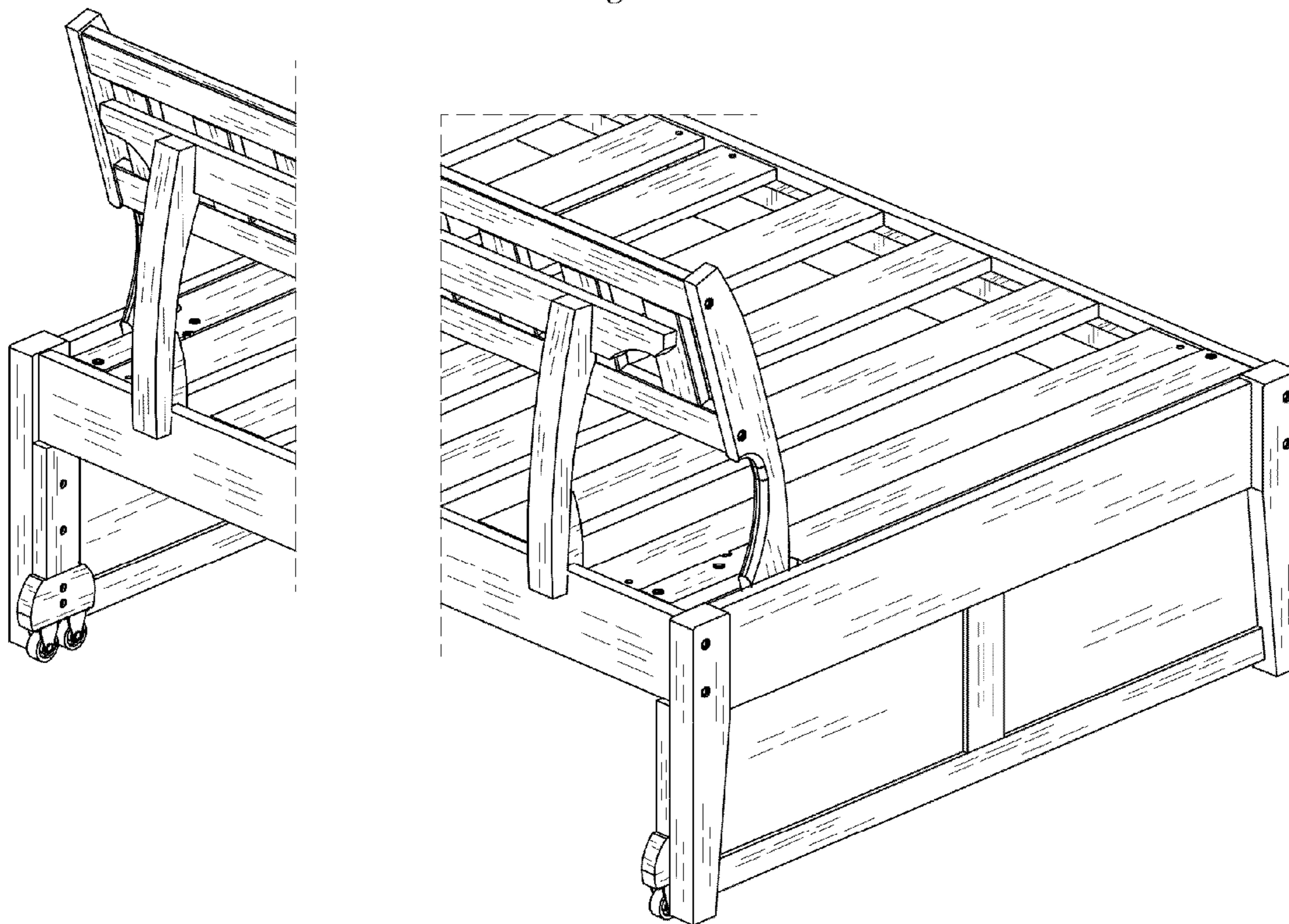
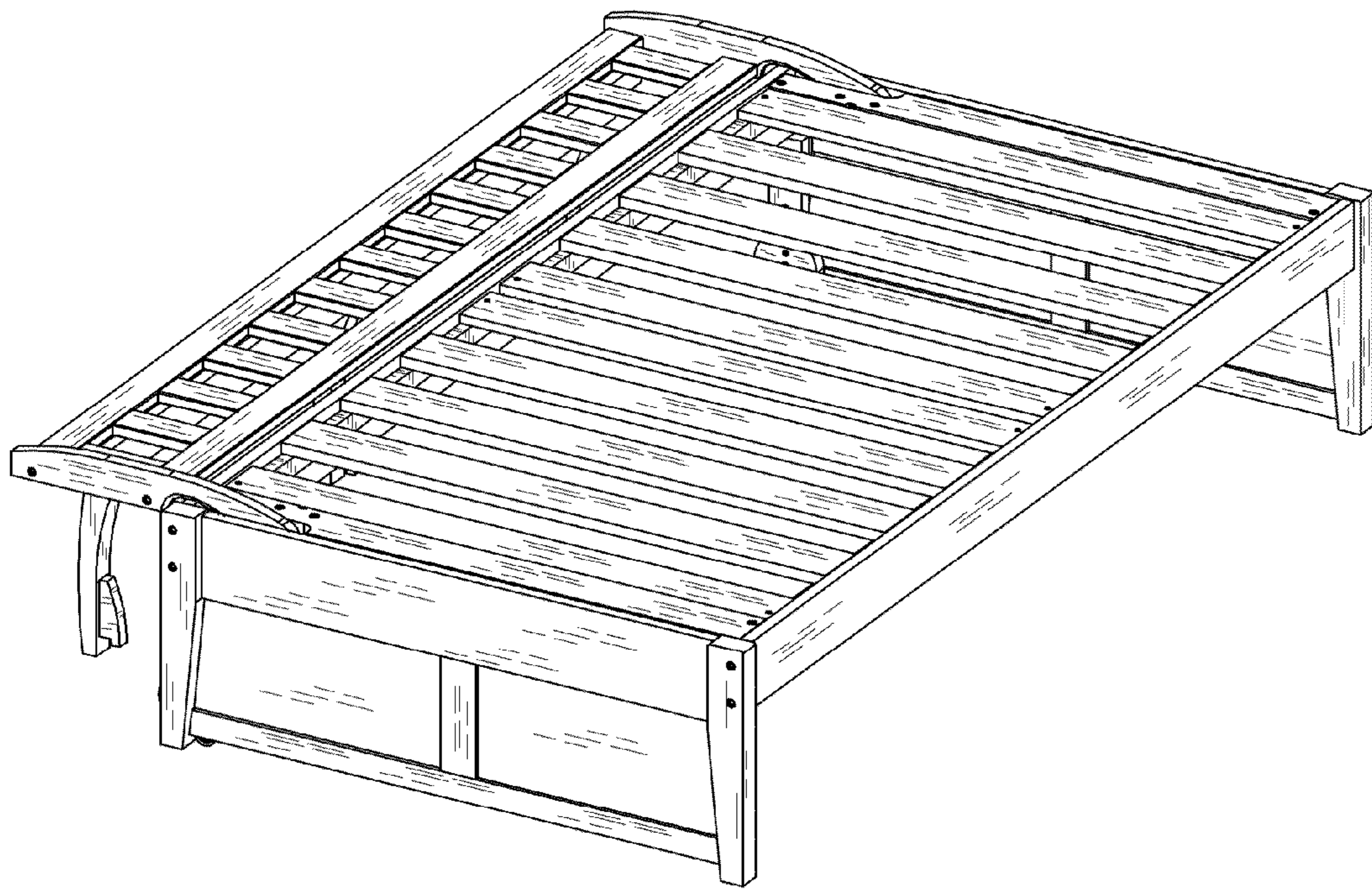
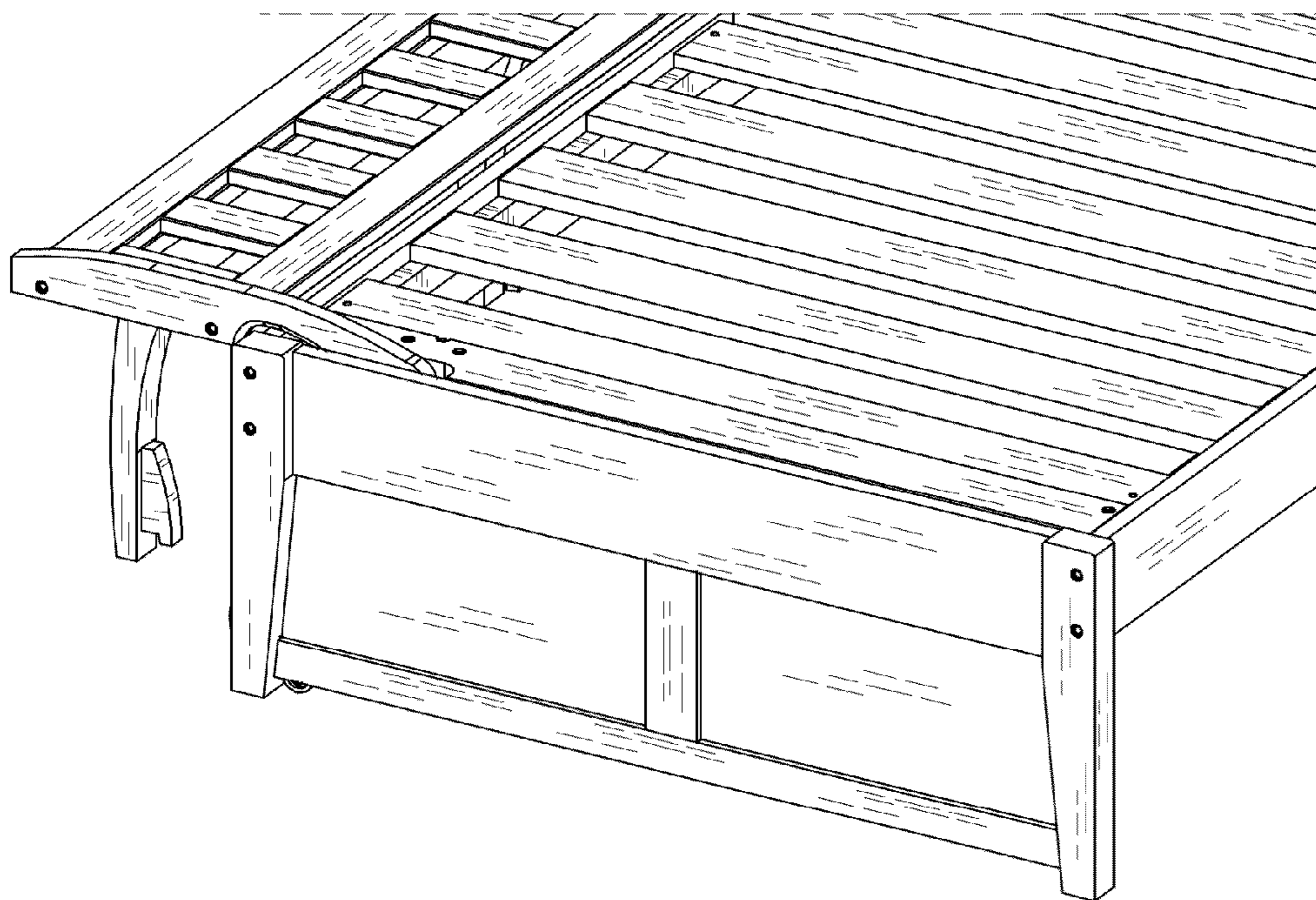


Figure. 4



*Figure. 5*



*Figure. 6*

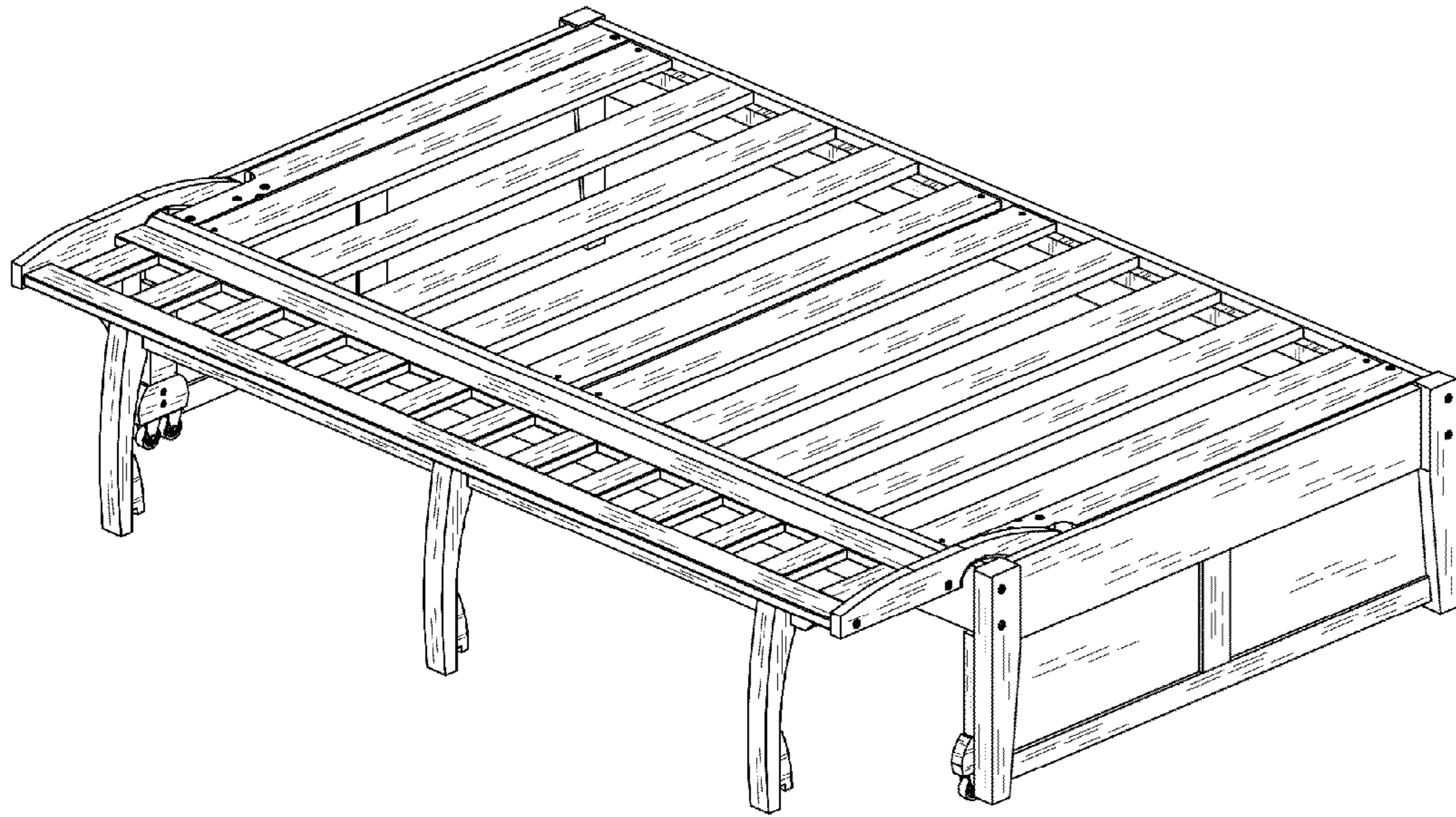


Figure. 7

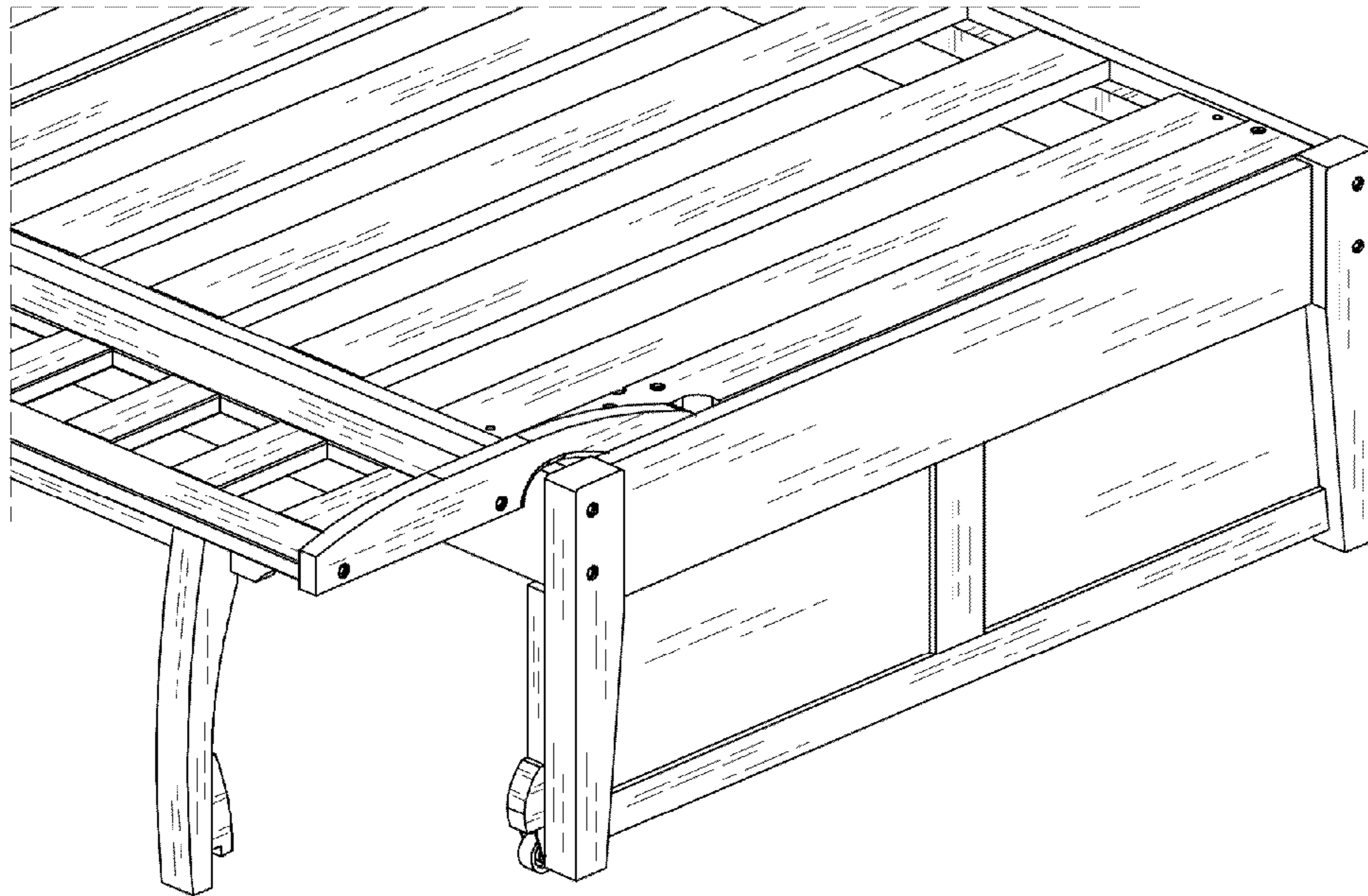


Figure. 8

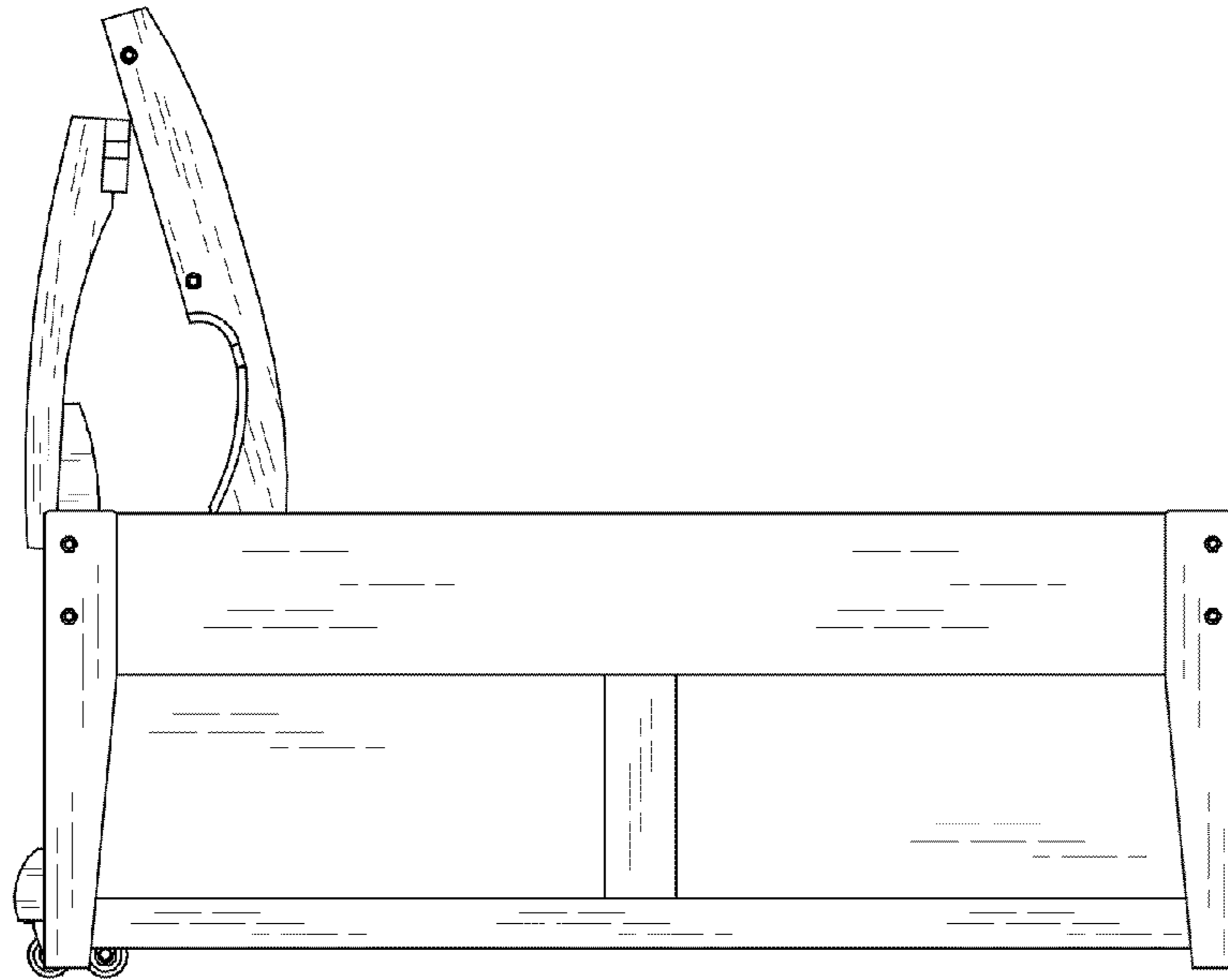


Figure. 9

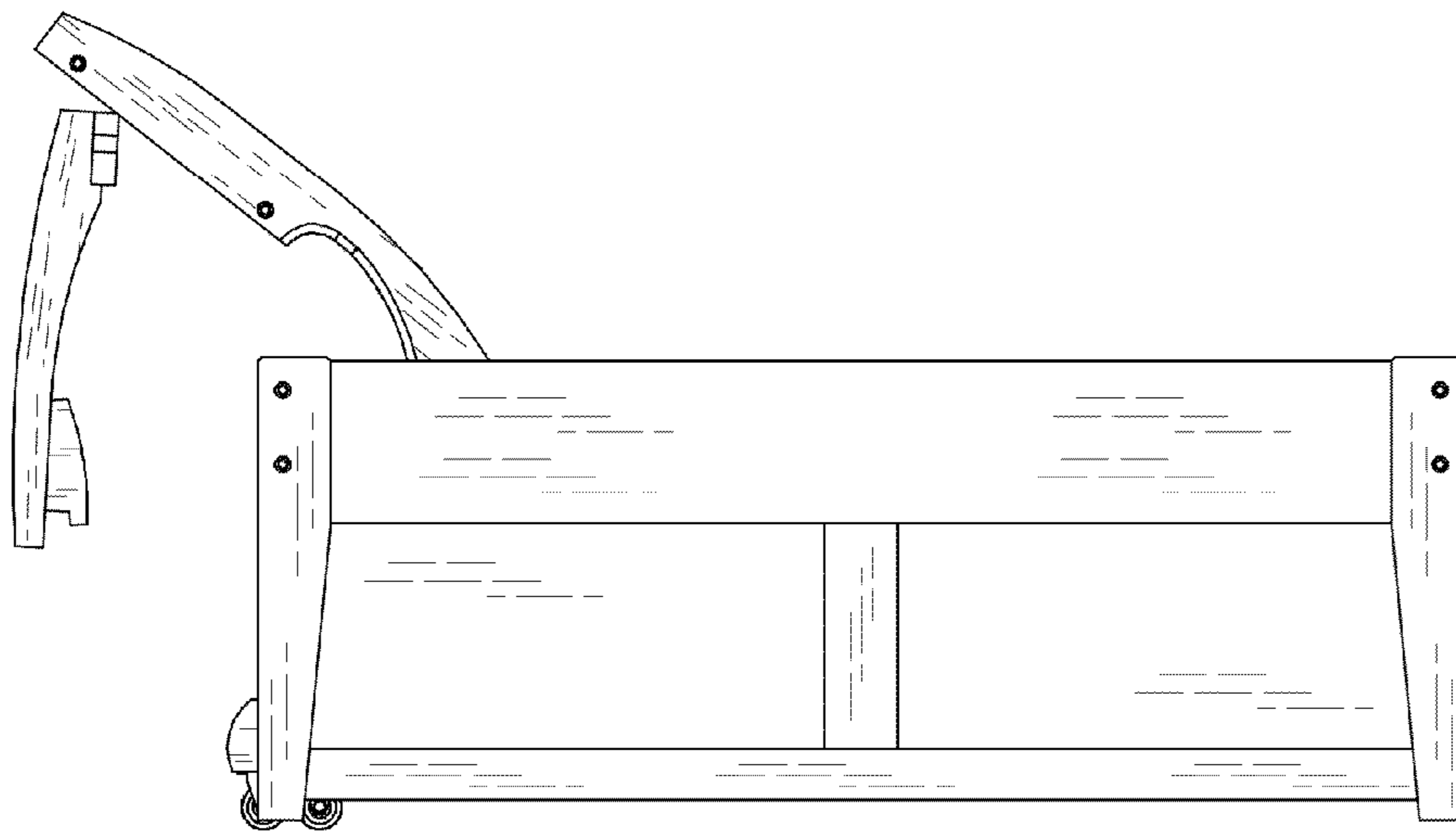


Figure. 10

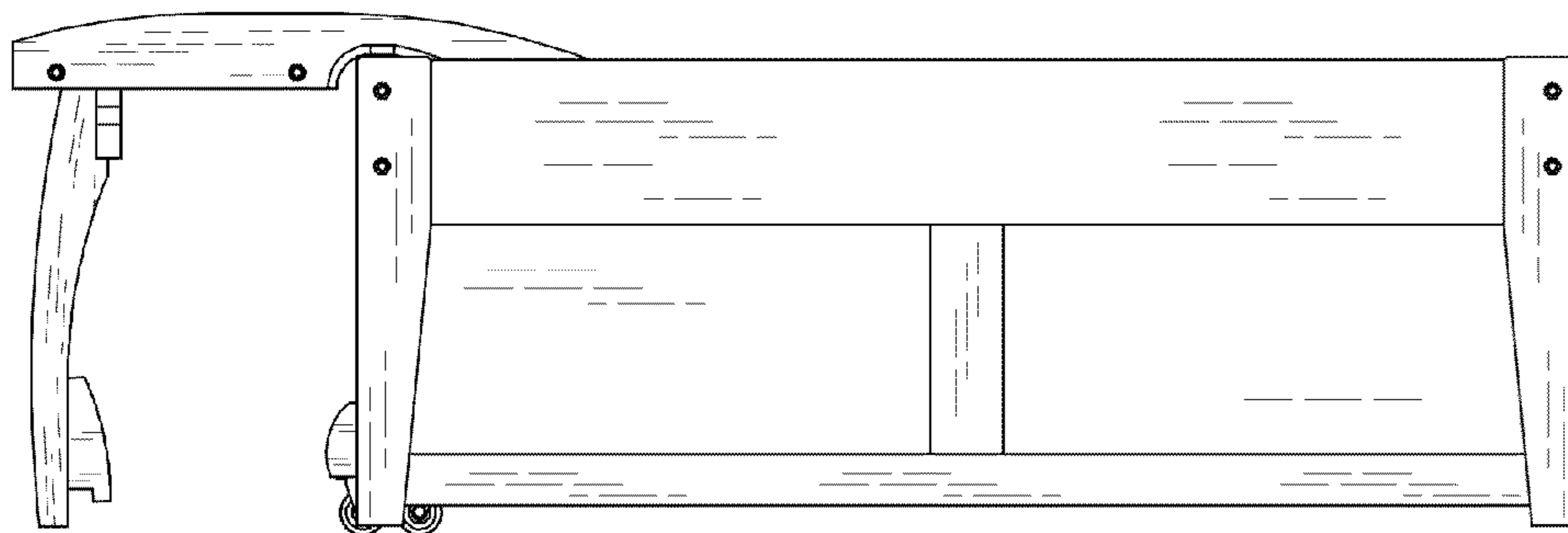
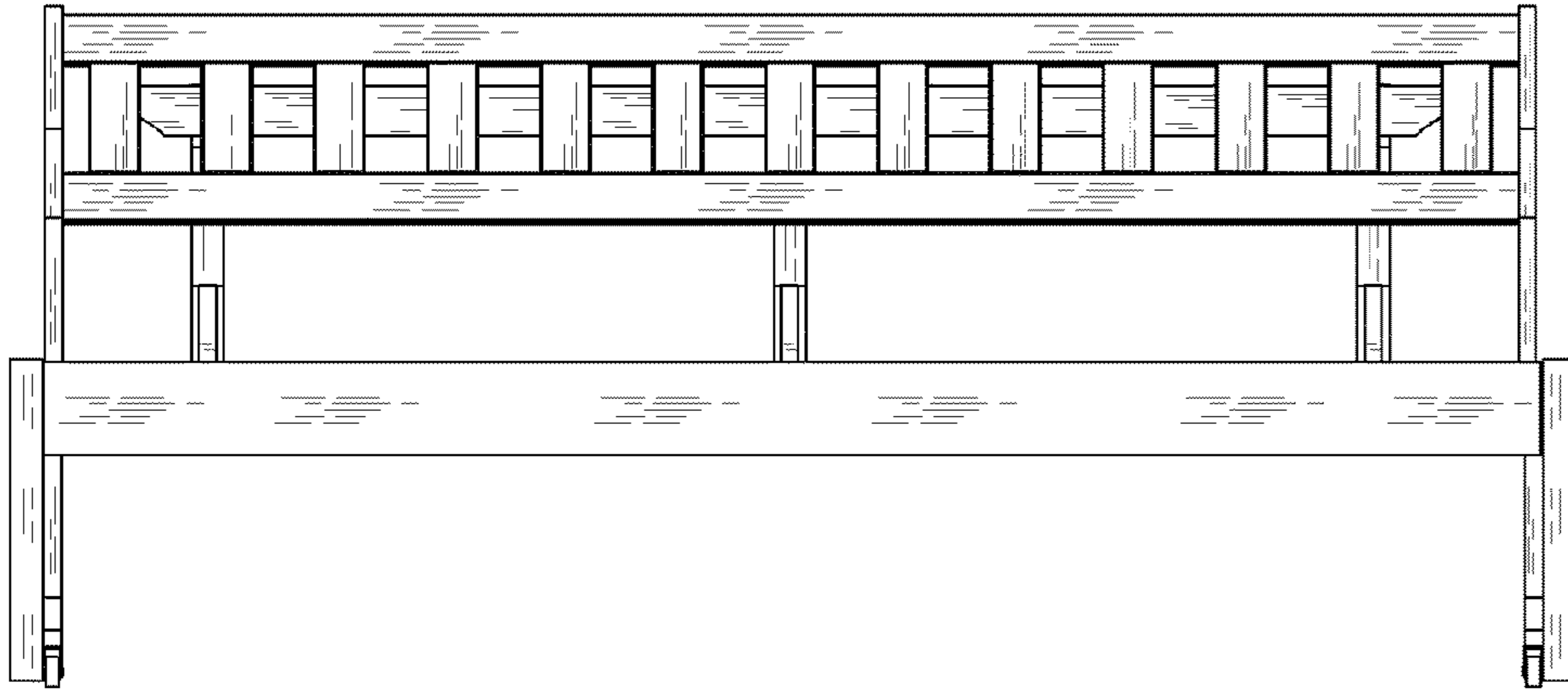
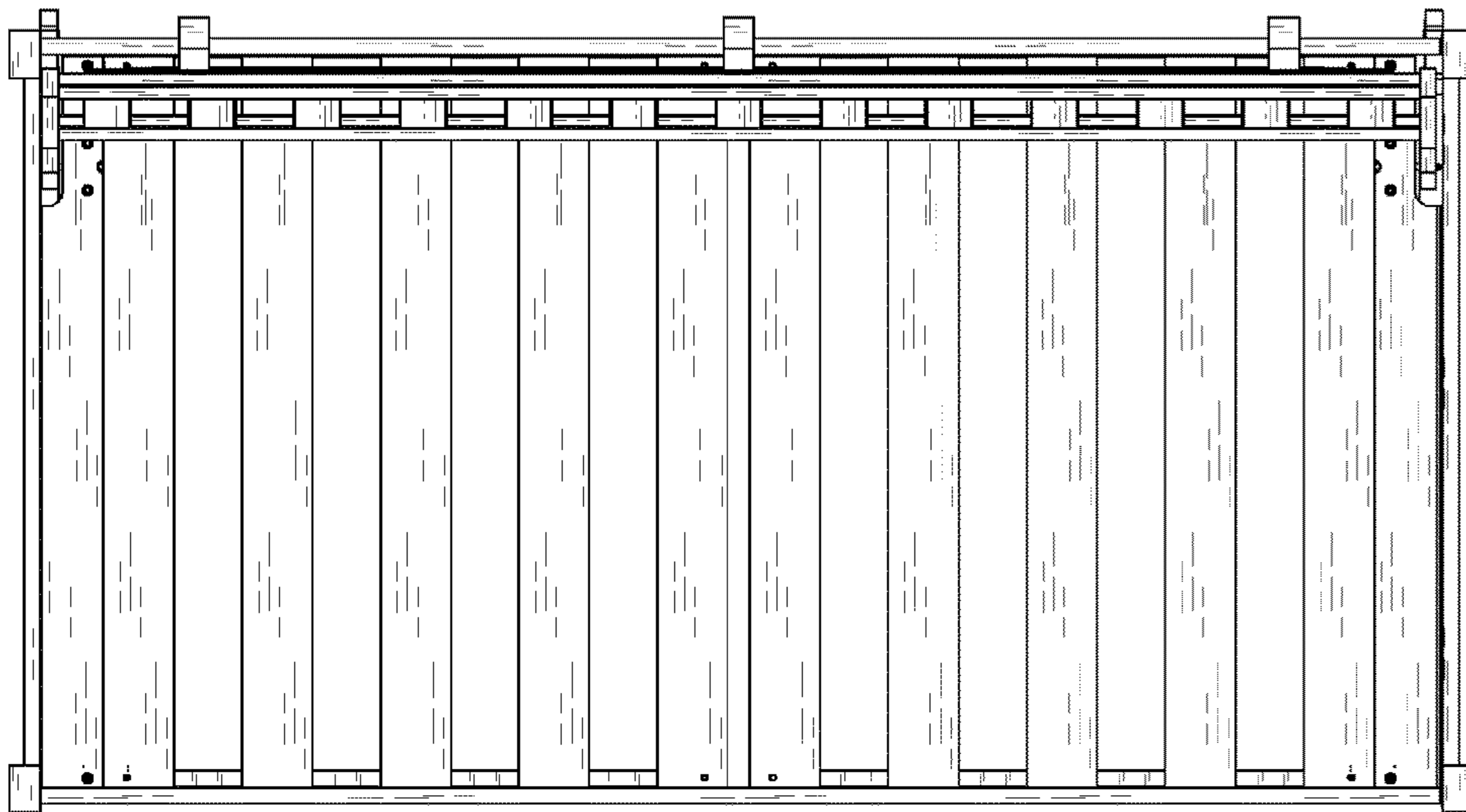


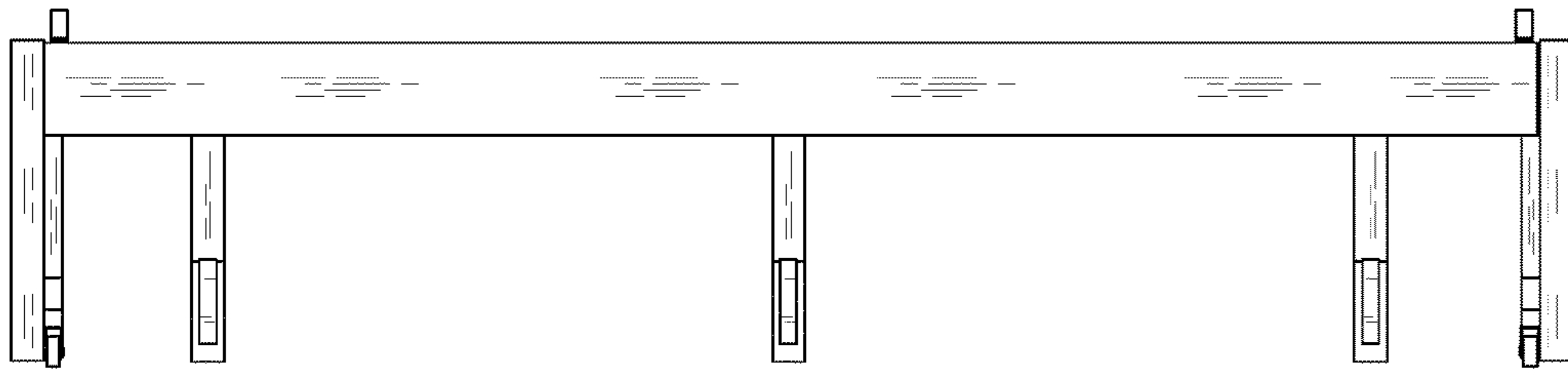
Figure. 11



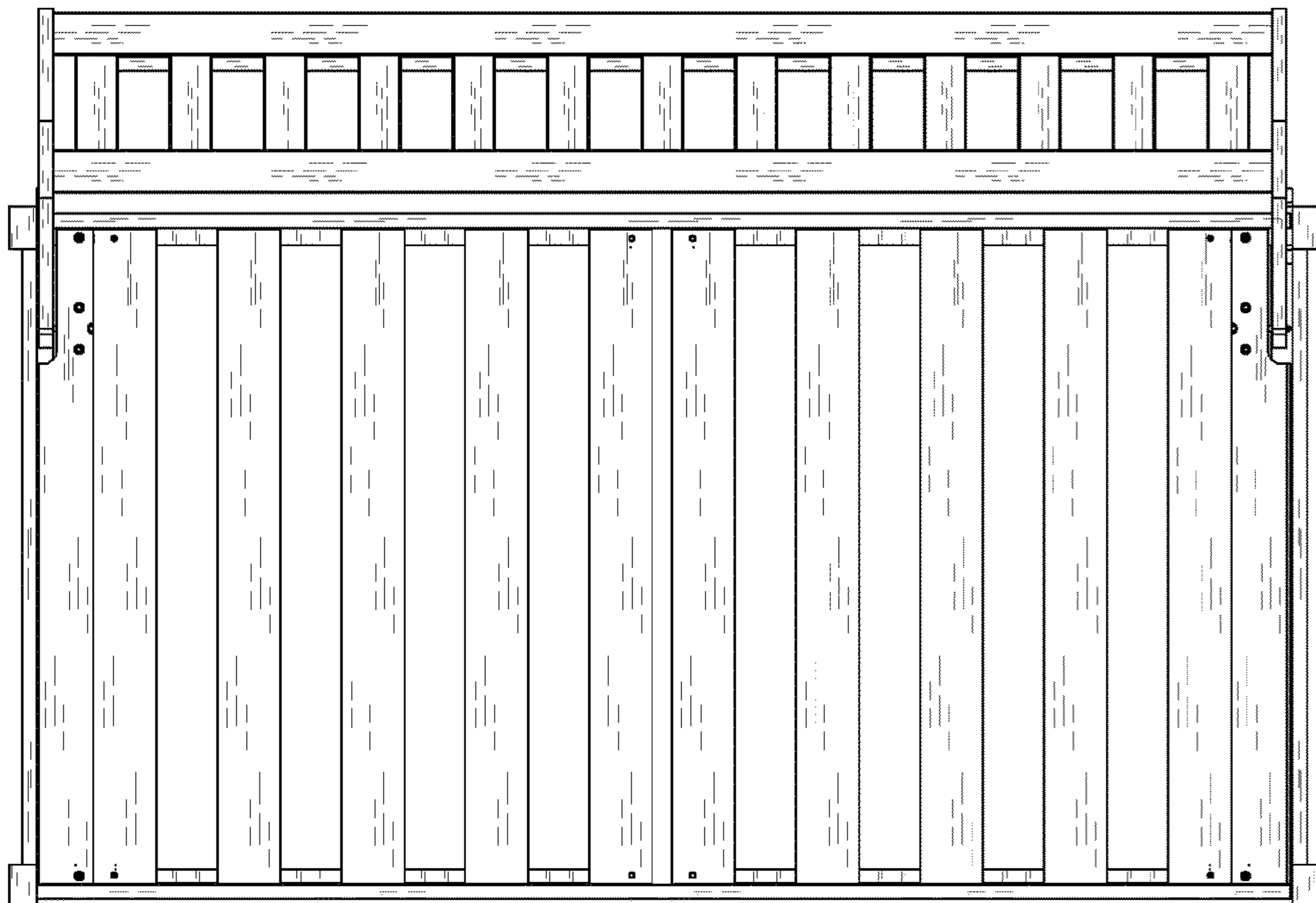
*Figure. 12*



*Figure. 13*



*Figure. 14*



*Figure. 15*