



US00D736536S

(12) **United States Design Patent**  
**Vanderwood et al.**

(10) **Patent No.:** **US D736,536 S**

(45) **Date of Patent:** **\*\* Aug. 18, 2015**

(54) **SEATING UNIT**

(71) Applicant: **La-Z-Boy Incorporated**, Monroe, MI (US)

(72) Inventors: **Gary Vanderwood**, Stuart, FL (US);  
**Jack R. Lewis**, South Haven, MI (US)

(73) Assignee: **England, Inc.**, Monroe, MI (US)

(\*\*) Term: **14 Years**

(21) Appl. No.: **29/503,211**

(22) Filed: **Sep. 24, 2014**

(51) **LOC (10) Cl.** ..... **06-01**

(52) **U.S. Cl.**  
USPC ..... **D6/381**

(58) **Field of Classification Search**  
USPC ..... D6/334–338, 349, 355, 361, 368–370,  
D6/376, 379–381, 716, 716.1, 716.2, 340,  
D6/354, 377; 297/16.1, 42, 94, 135, 175,  
297/232, 233, 350, 351, 445.1, 448.1,  
297/448.2, 451.9; 5/12.1, 12.2  
CPC ..... A47C 1/02; A47C 7/24; A47C 17/00;  
A47C 17/02; A47C 17/04; A47C 17/045;  
A47C 17/12; A47C 17/132; A47C 17/136  
See application file for complete search history.

(56) **References Cited**

U.S. PATENT DOCUMENTS

D330,811 S	*	11/1992	Genova et al.	.....	D6/381
D388,630 S	*	1/1998	Lowman et al.	.....	D6/381
D423,808 S	*	5/2000	Natuzzi et al.	.....	D6/381
D549,482 S	*	8/2007	Natuzzi	.....	D6/381
D552,871 S	*	10/2007	Natuzzi	.....	D6/381
D554,387 S	*	11/2007	Nicoletti	.....	D6/381
D590,167 S	*	4/2009	Natuzzi	.....	D6/381
D600,038 S	*	9/2009	Natuzzi	.....	D6/381
D603,620 S	*	11/2009	Natuzzi	.....	D6/381
D608,106 S	*	1/2010	Natuzzi	.....	D6/381
D616,663 S	*	6/2010	Natuzzi	.....	D6/381
D643,224 S	*	8/2011	Sofield	.....	D6/334

D643,643 S	*	8/2011	Lievore	.....	D6/381
D677,491 S	*	3/2013	Joly	.....	D6/381
D715,574 S	*	10/2014	Wanders	.....	D6/381

\* cited by examiner

*Primary Examiner* — Sandra Snapp

(74) *Attorney, Agent, or Firm* — Harness, Dickey & Pierce, P.L.C.

(57) **CLAIM**

The ornamental design for a seating unit, as shown and described.

**DESCRIPTION**

FIG. 1 is a front perspective view of a seating unit comprised of a sectional unit having three corner units and an armless unit;  
 FIG. 2 is a front elevational view of the seating unit of FIG. 1;  
 FIG. 3 is a top plan view of the seating unit of FIG. 1;  
 FIG. 4 is a right side elevational view of the seating unit of FIG. 1;  
 FIG. 5 is a left side elevational view of the seating unit of FIG. 1;  
 FIG. 6 is a rear elevational view of the seating unit of FIG. 1;  
 FIG. 7 is a front perspective view of the seating unit of the claimed invention shown in an alternate position having two corner units;  
 FIG. 8 is a front elevational view of the seating unit of FIG. 7;  
 FIG. 9 is a top plan view of the seating unit of FIG. 7;  
 FIG. 10 is a right side elevational view of the seating unit of FIG. 7;  
 FIG. 11 is a left side elevational view of the seating unit of FIG. 7;  
 FIG. 12 is a rear elevational view of the seating unit of FIG. 7;  
 FIG. 13 is a front perspective view of the seating unit of the claimed invention shown in another alternate position having two corner units and an armless unit;  
 FIG. 14 is a front elevational view of the seating unit of FIG. 13;  
 FIG. 15 is a top plan view of the seating unit of FIG. 13;  
 FIG. 16 is a right side elevational view of the seating unit of FIG. 13;

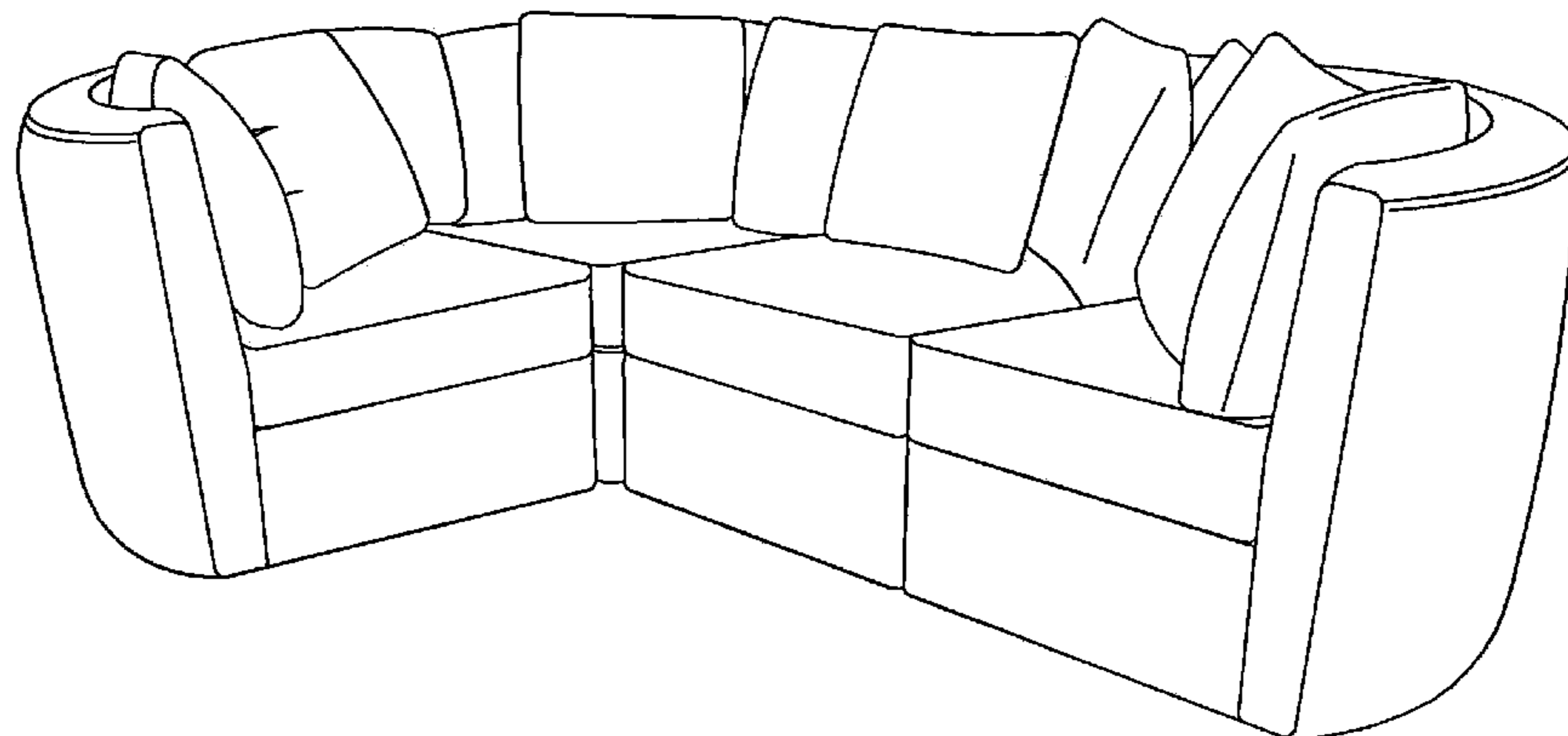


FIG. 17 is a left side elevational view of the seating unit of FIG. 13;  
FIG. 18 is a rear elevational view of the seating unit of FIG. 13;  
FIG. 19 is a front perspective view of the seating unit of the claimed invention shown in yet another alternate position having a three corner units;  
FIG. 20 is a front elevational view of the seating unit of FIG. 19;  
FIG. 21 is a top plan view of the seating unit of FIG. 19;  
FIG. 22 is a right side elevational view of the seating unit of FIG. 19;  
FIG. 23 is a left side elevational view of the seating unit of FIG. 19;  
FIG. 24 is a rear elevational view of the seating unit of FIG. 19;  
FIG. 25 is a front perspective view of an armless unit of the seating unit, the armless unit removed for ease of illustration;  
FIG. 26 is a front elevational view of the armless unit of FIG. 25;

FIG. 27 is a top plan view of the armless unit of FIG. 25;  
FIG. 28 is a right side elevational view of the armless unit of FIG. 25;  
FIG. 29 is a left side elevational view of the armless unit of FIG. 25;  
FIG. 30 is a rear elevational view of the armless unit of FIG. 25;  
FIG. 31 is a front perspective view of a corner unit of the seating unit, the corner unit removed for ease of illustration;  
FIG. 32 is a front elevational view of the corner unit of FIG. 31;  
FIG. 33 is a top plan view of the corner unit of FIG. 31;  
FIG. 34 is a right side elevational view of the corner unit of FIG. 31;  
FIG. 35 is a left side elevational view of the corner unit of FIG. 31; and,  
FIG. 36 is a rear elevational view of the corner unit of FIG. 31.

**1 Claim, 16 Drawing Sheets**

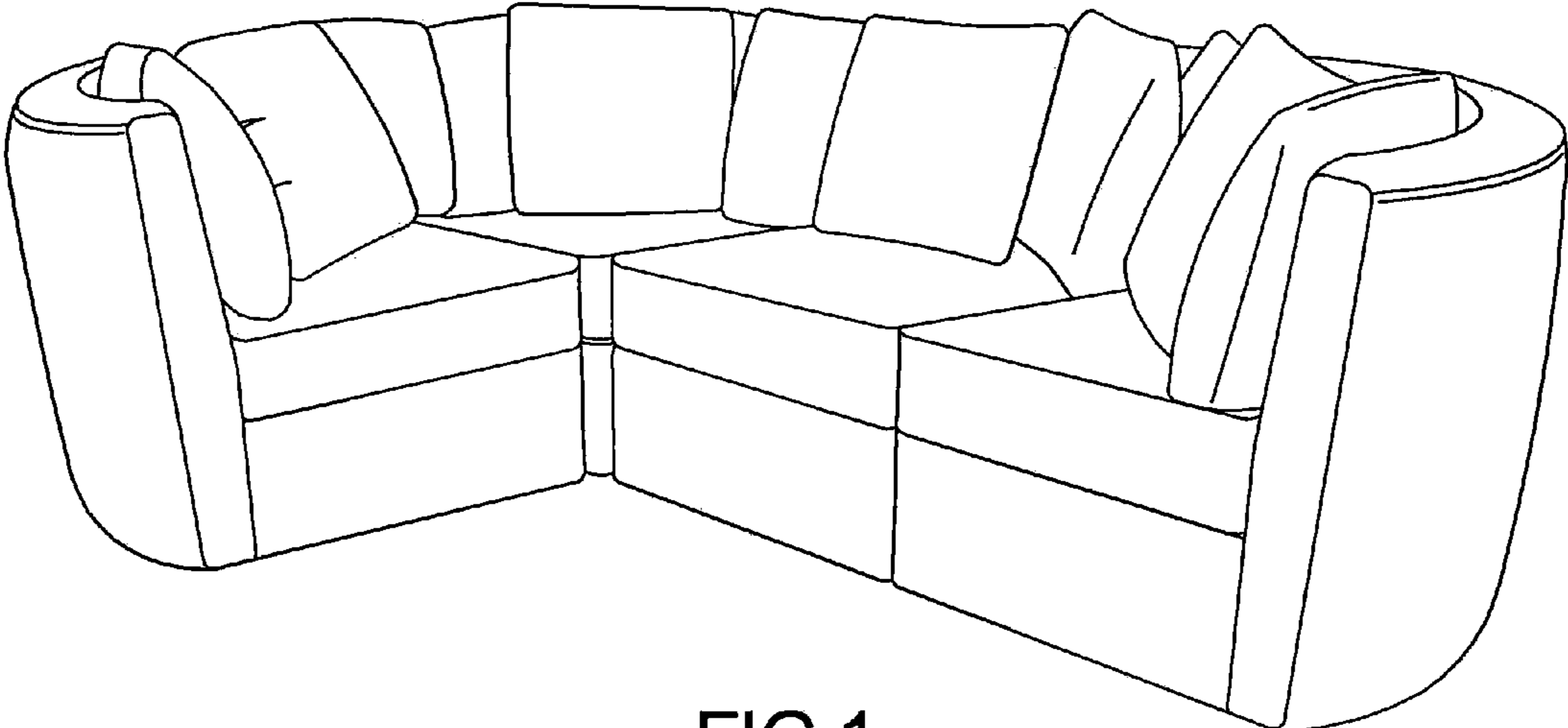


FIG 1

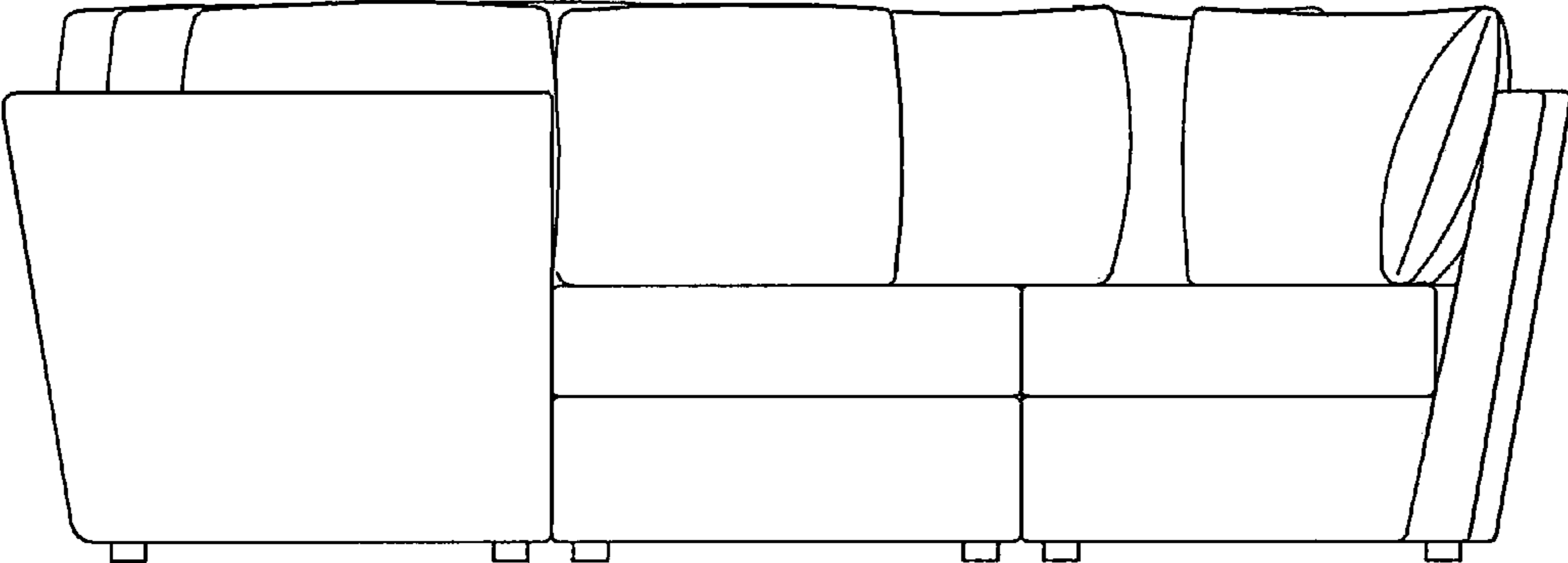


FIG 2

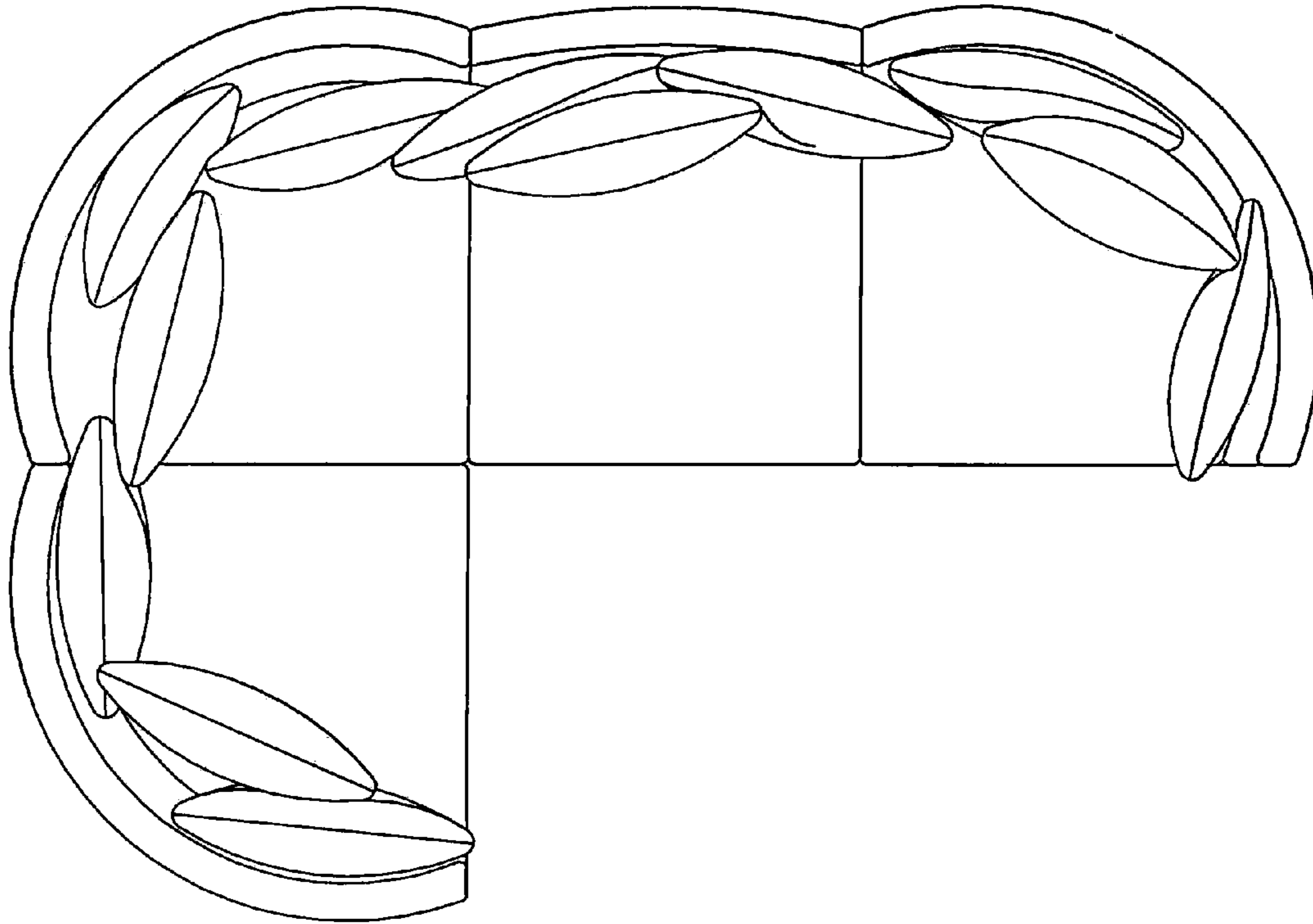


FIG 3

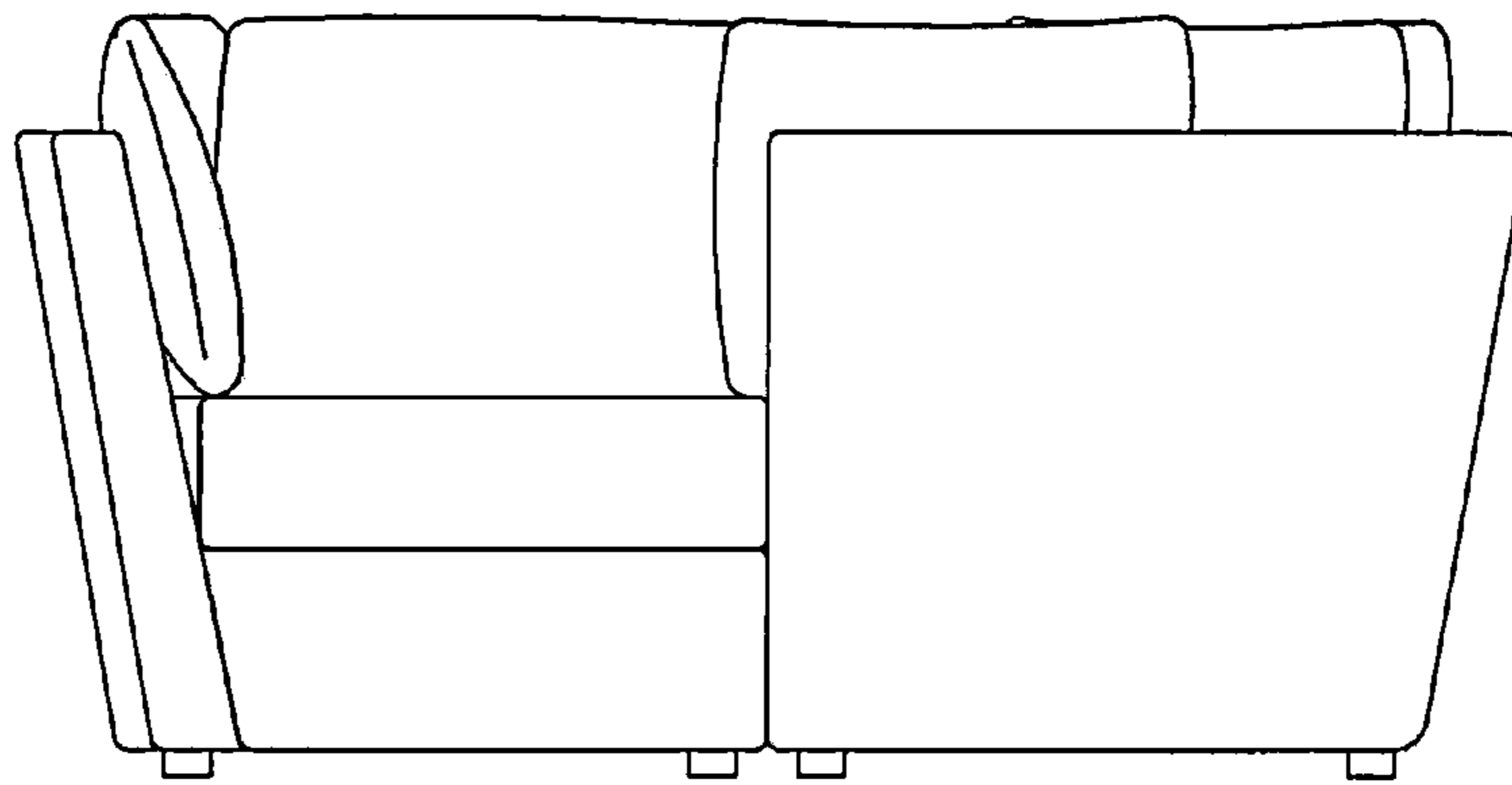


FIG 4

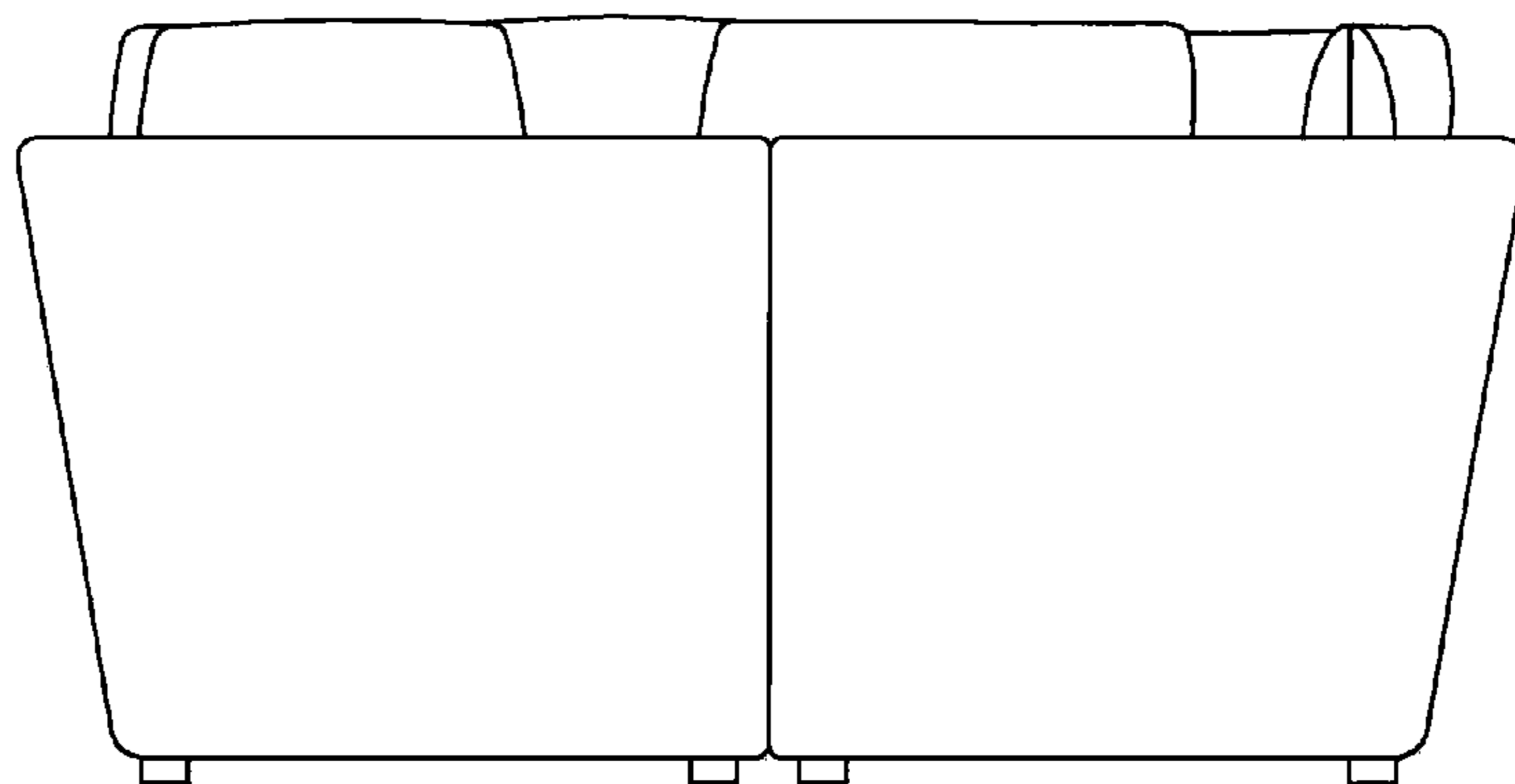


FIG 5

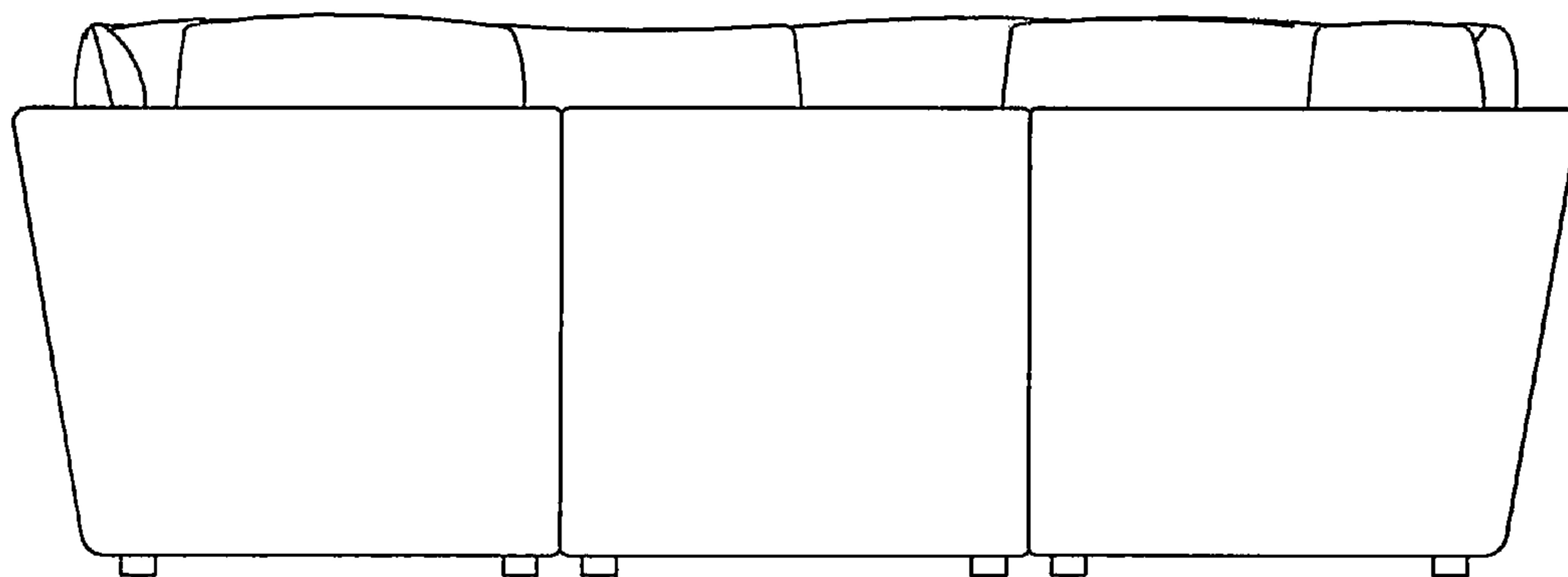


FIG 6

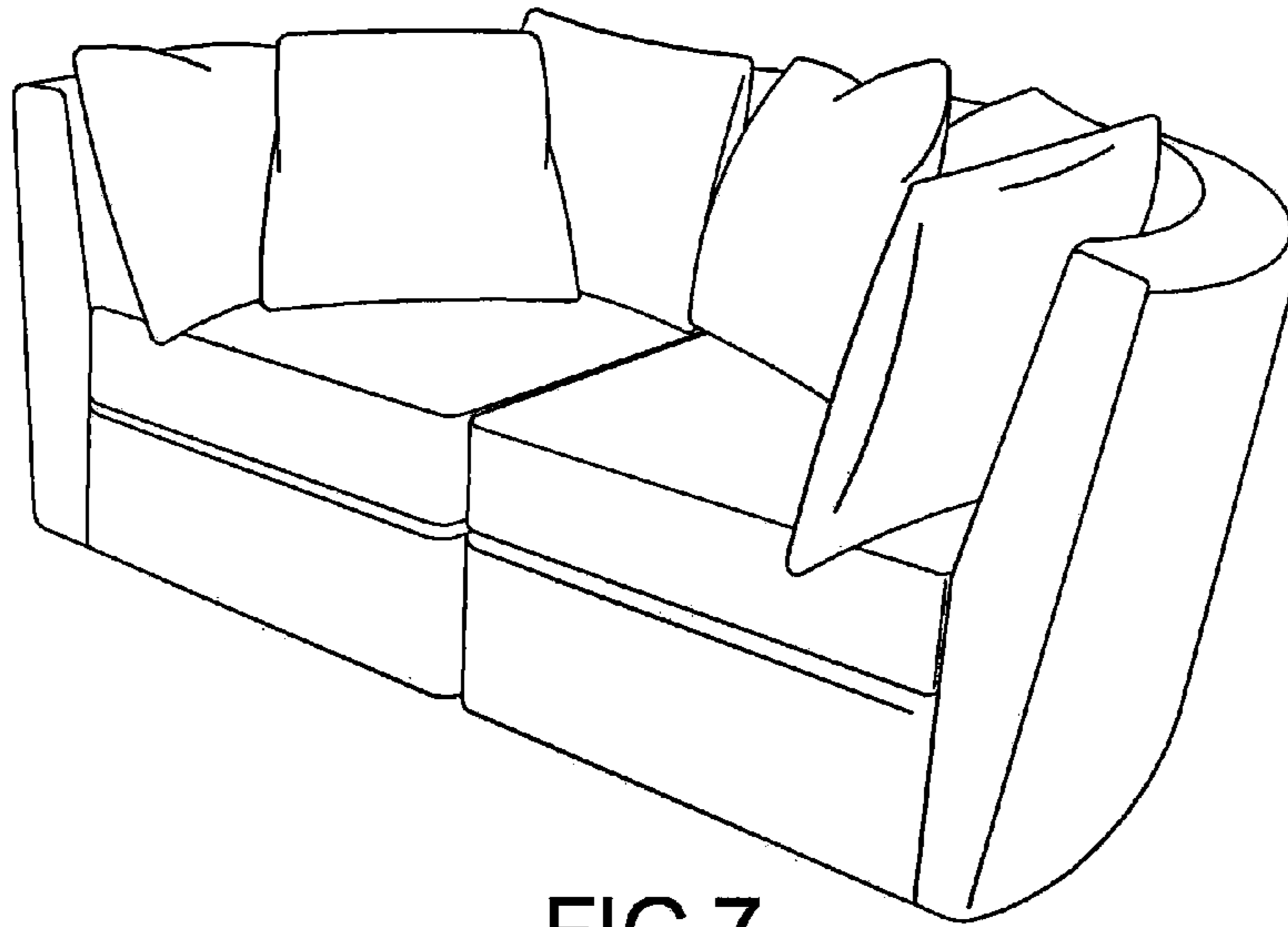


FIG 7

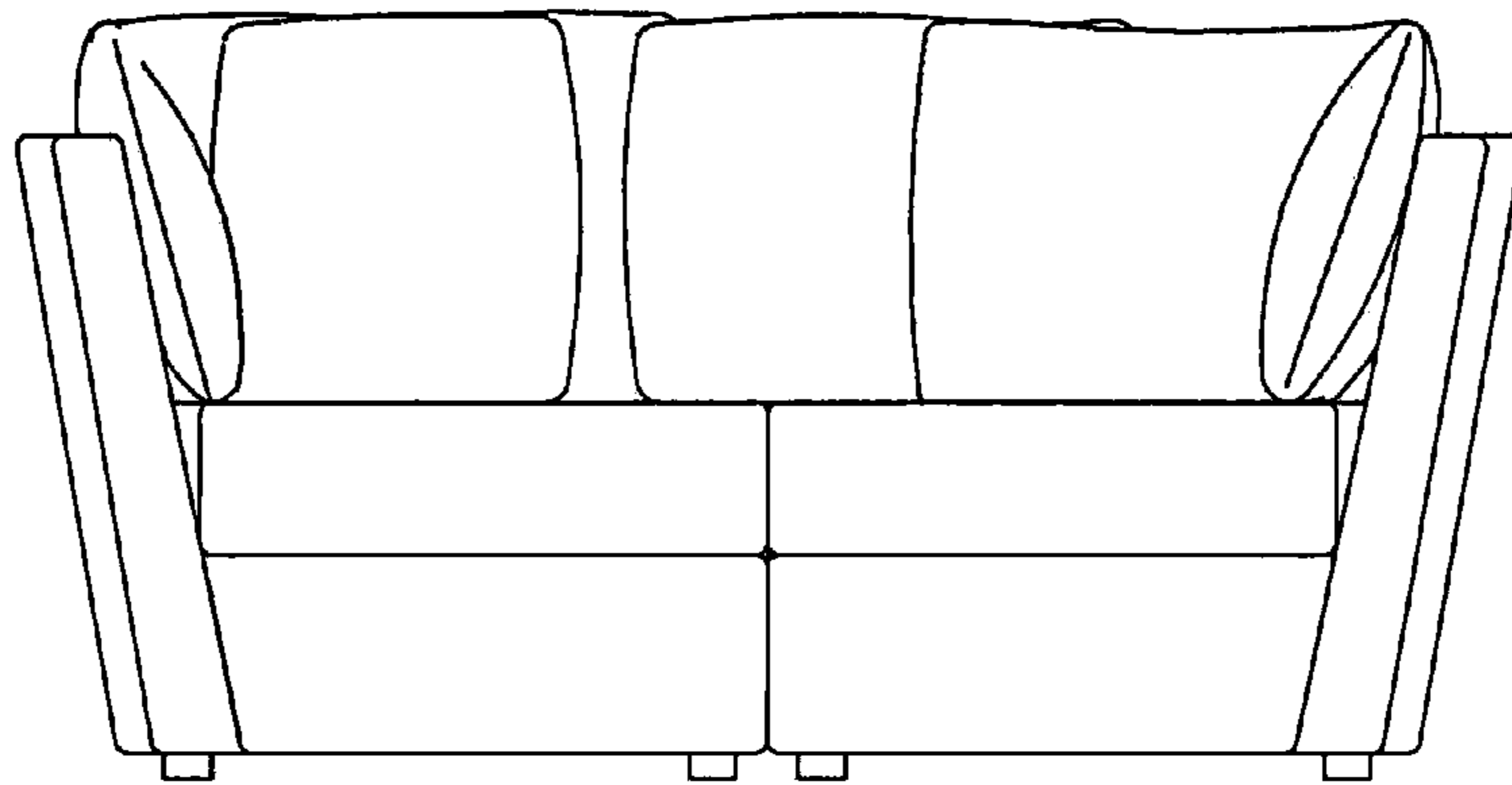


FIG 8

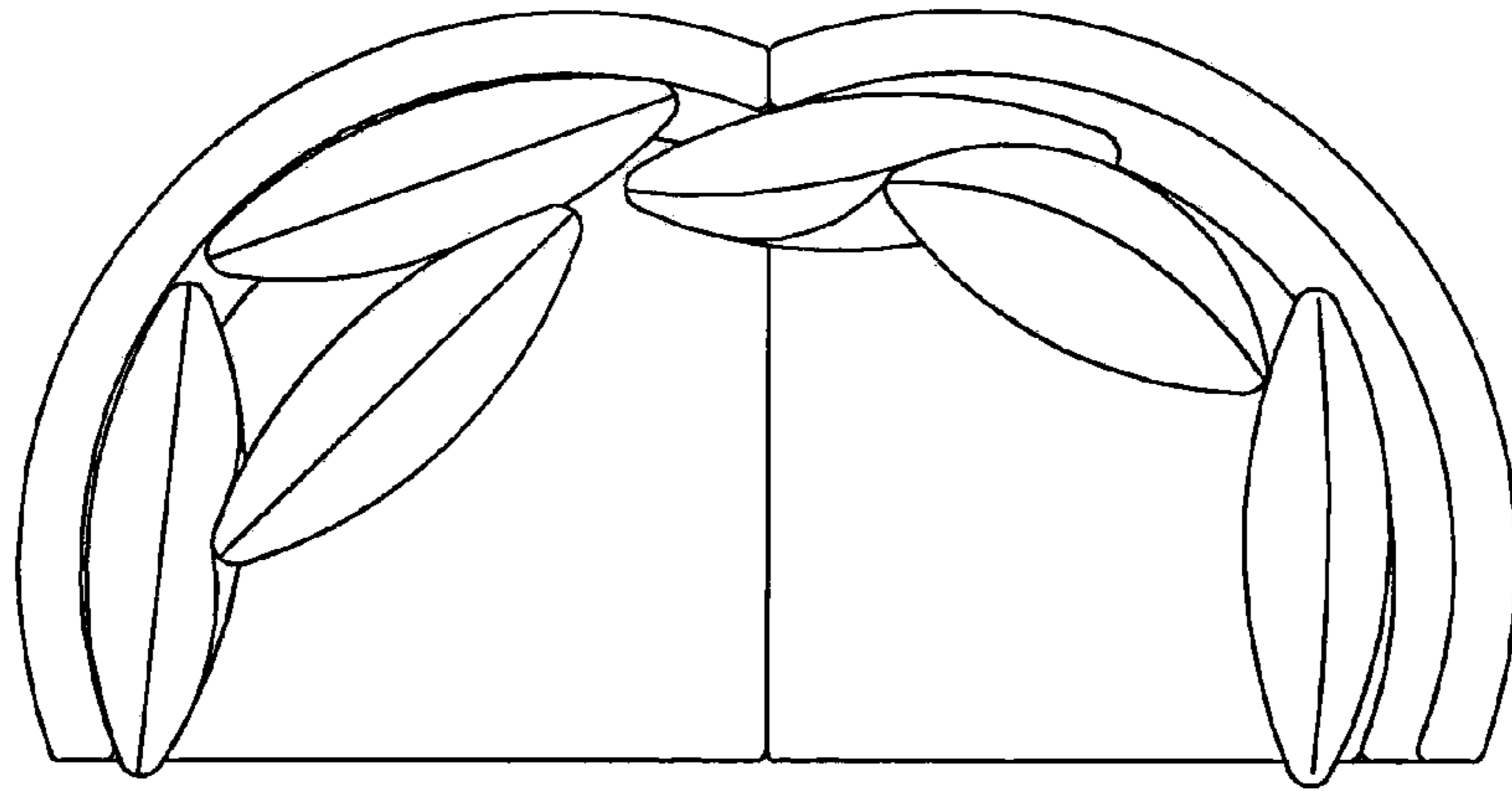


FIG 9

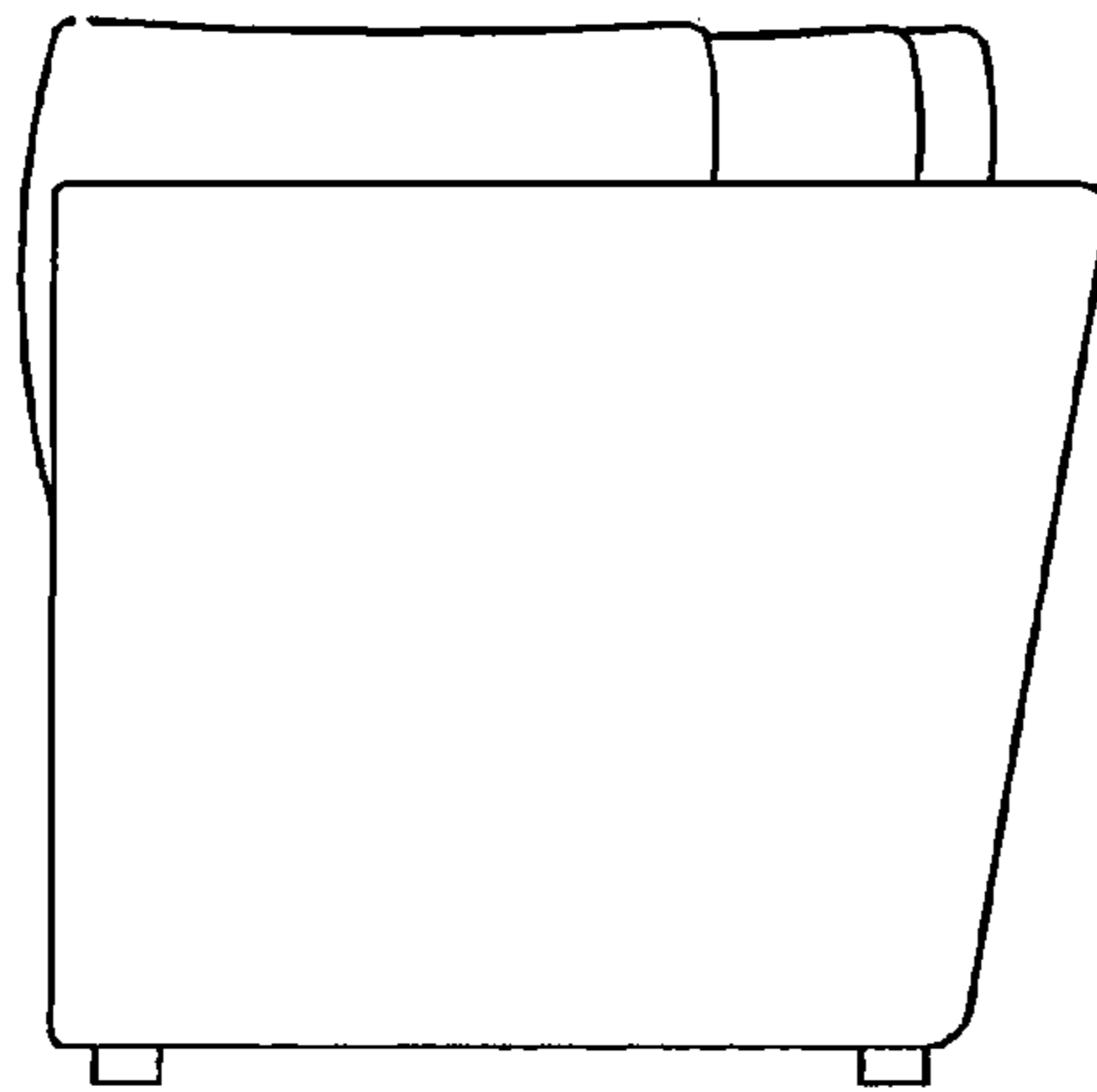


FIG 10

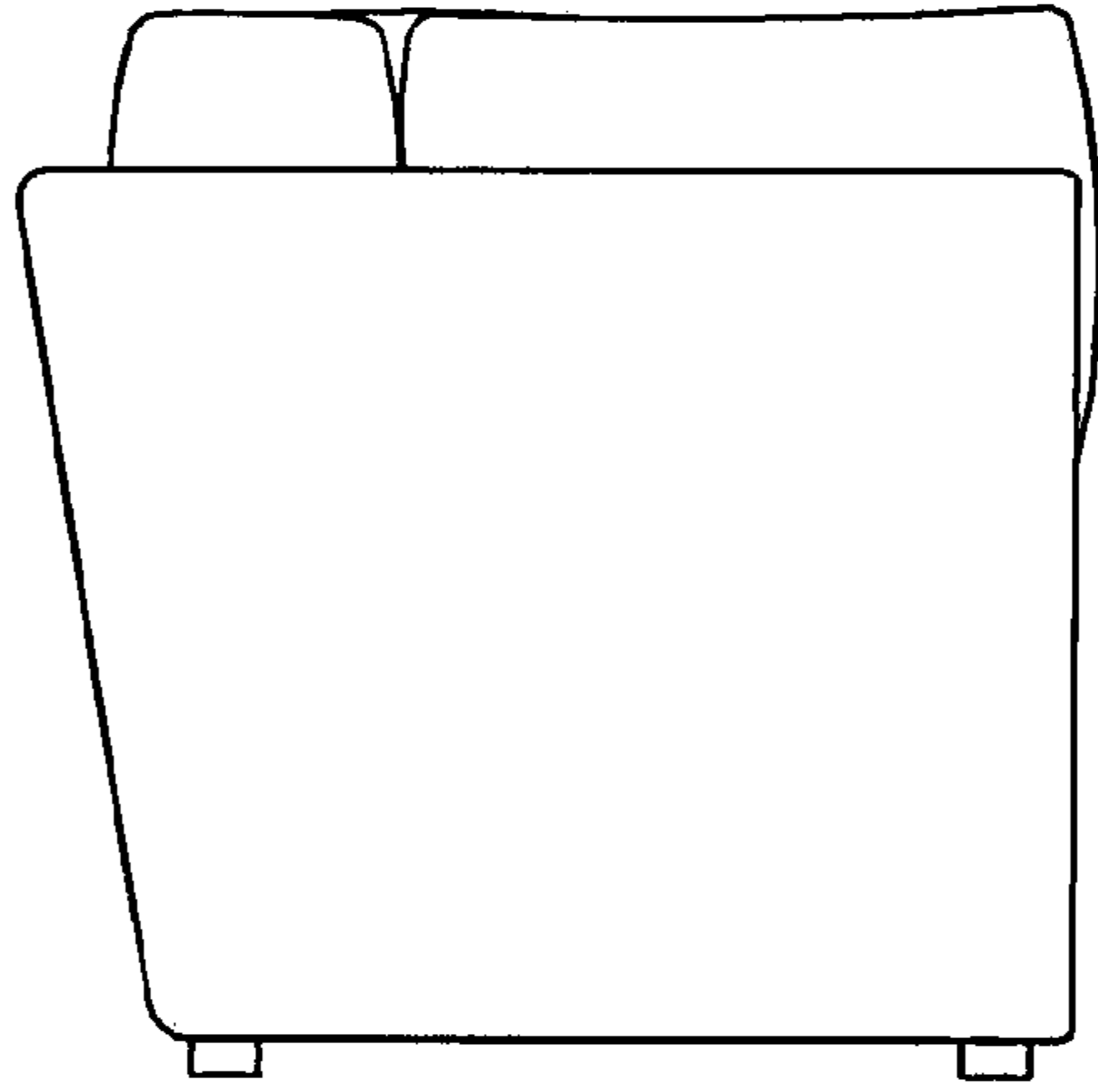


FIG 11

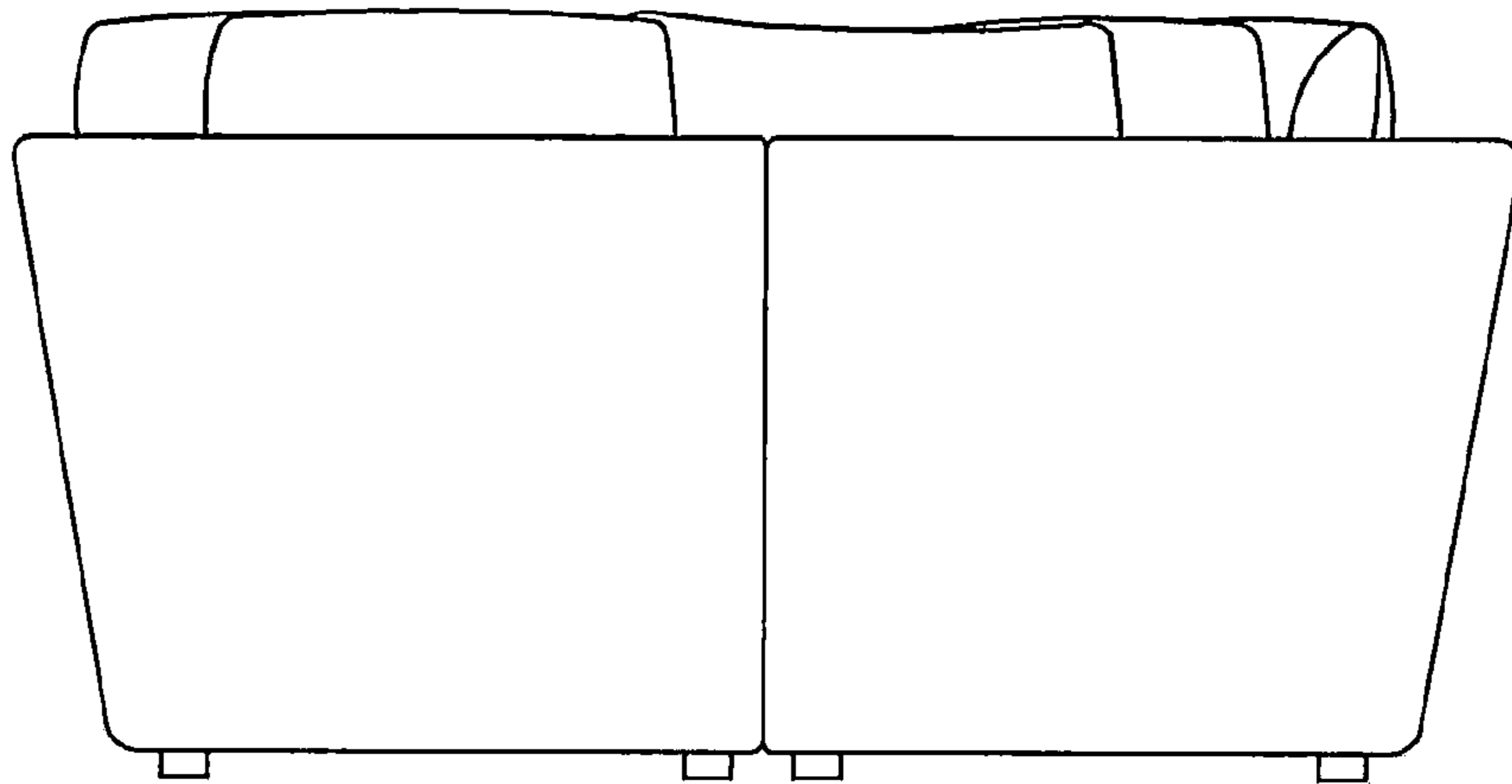


FIG 12



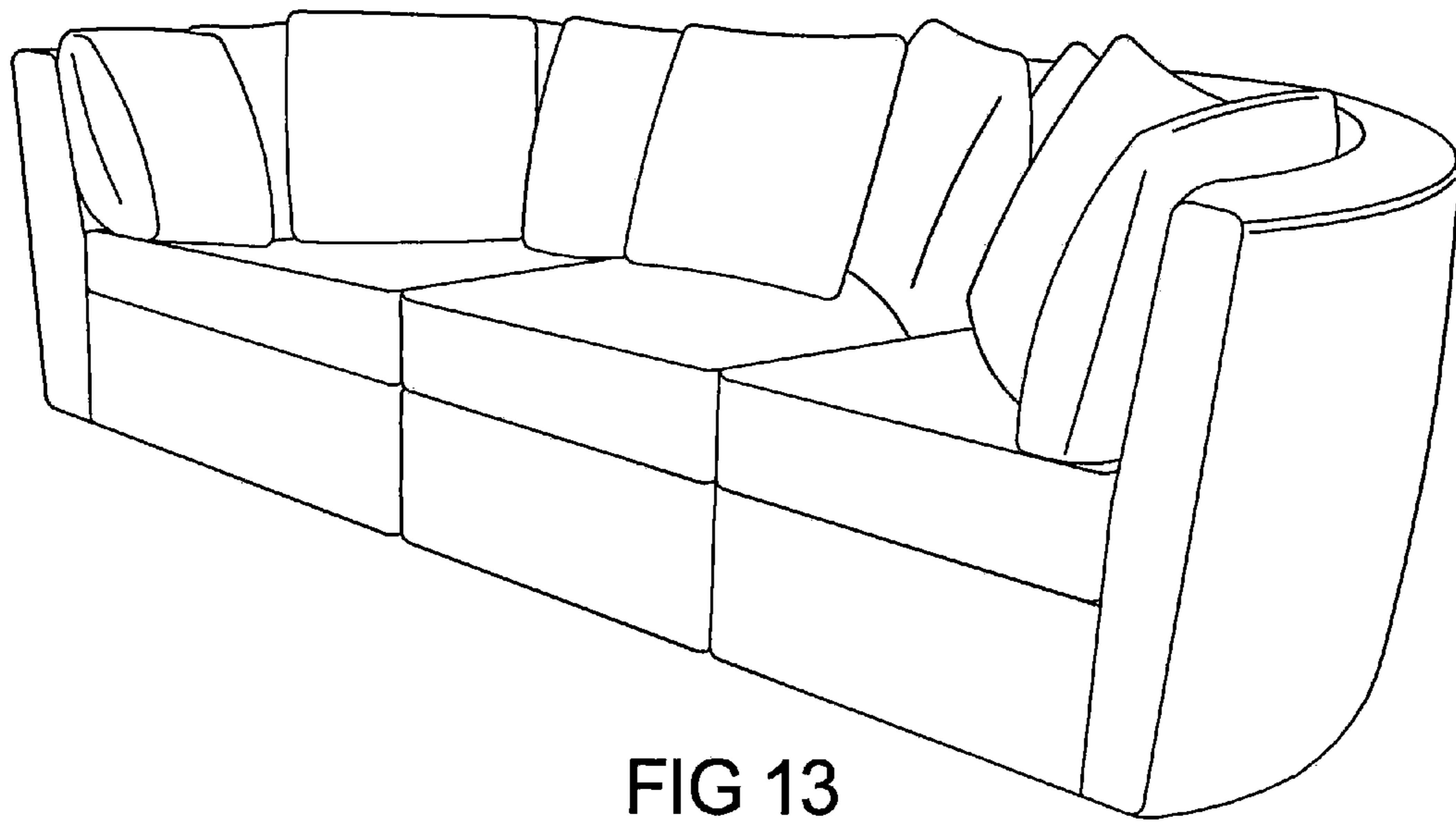


FIG 13

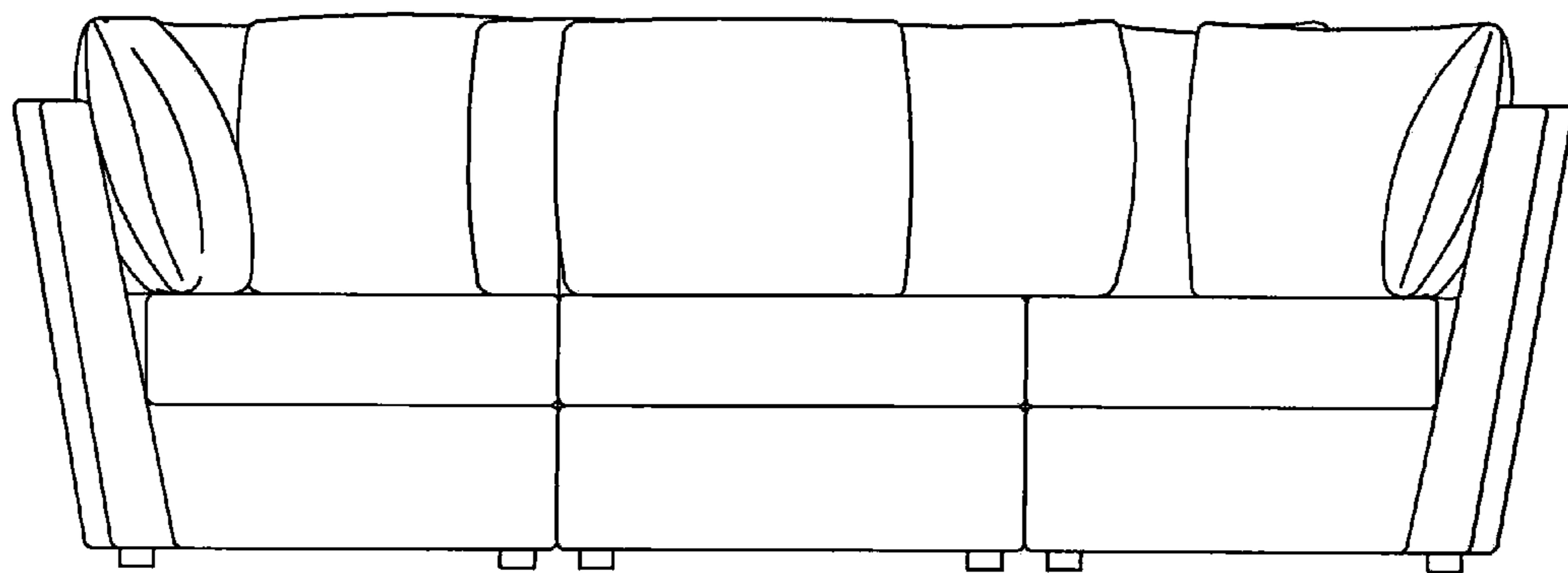


FIG 14

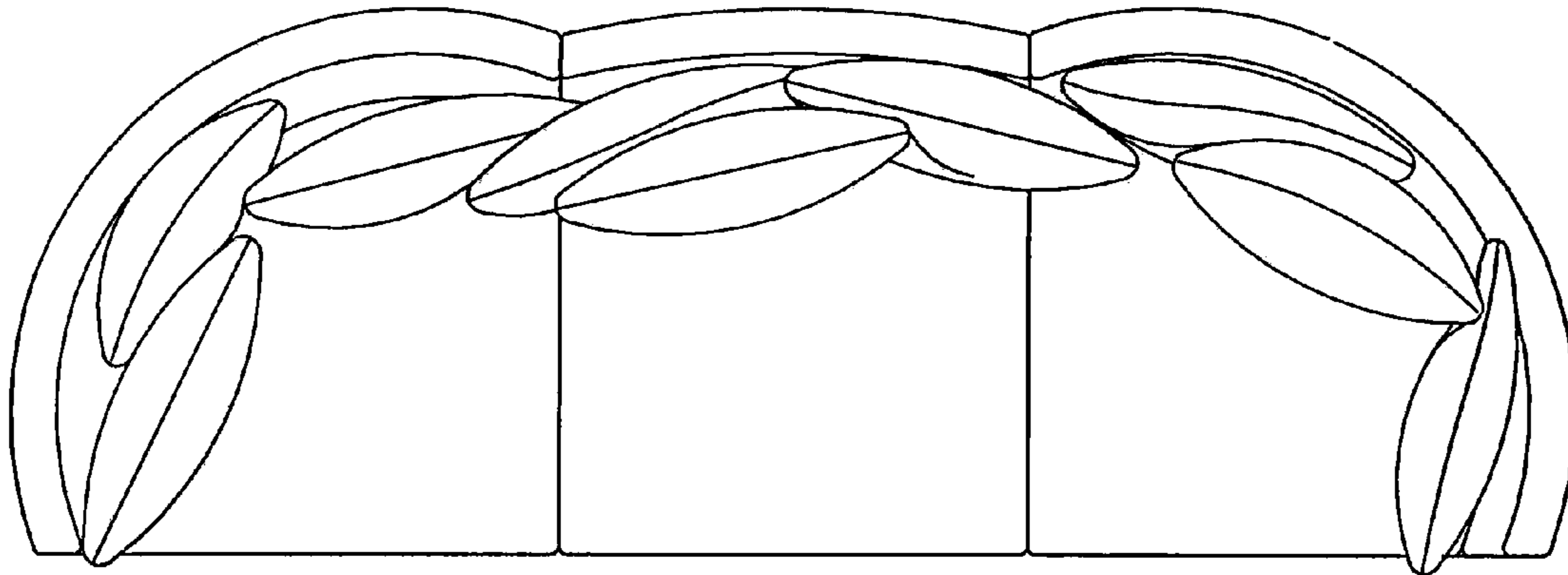


FIG 15

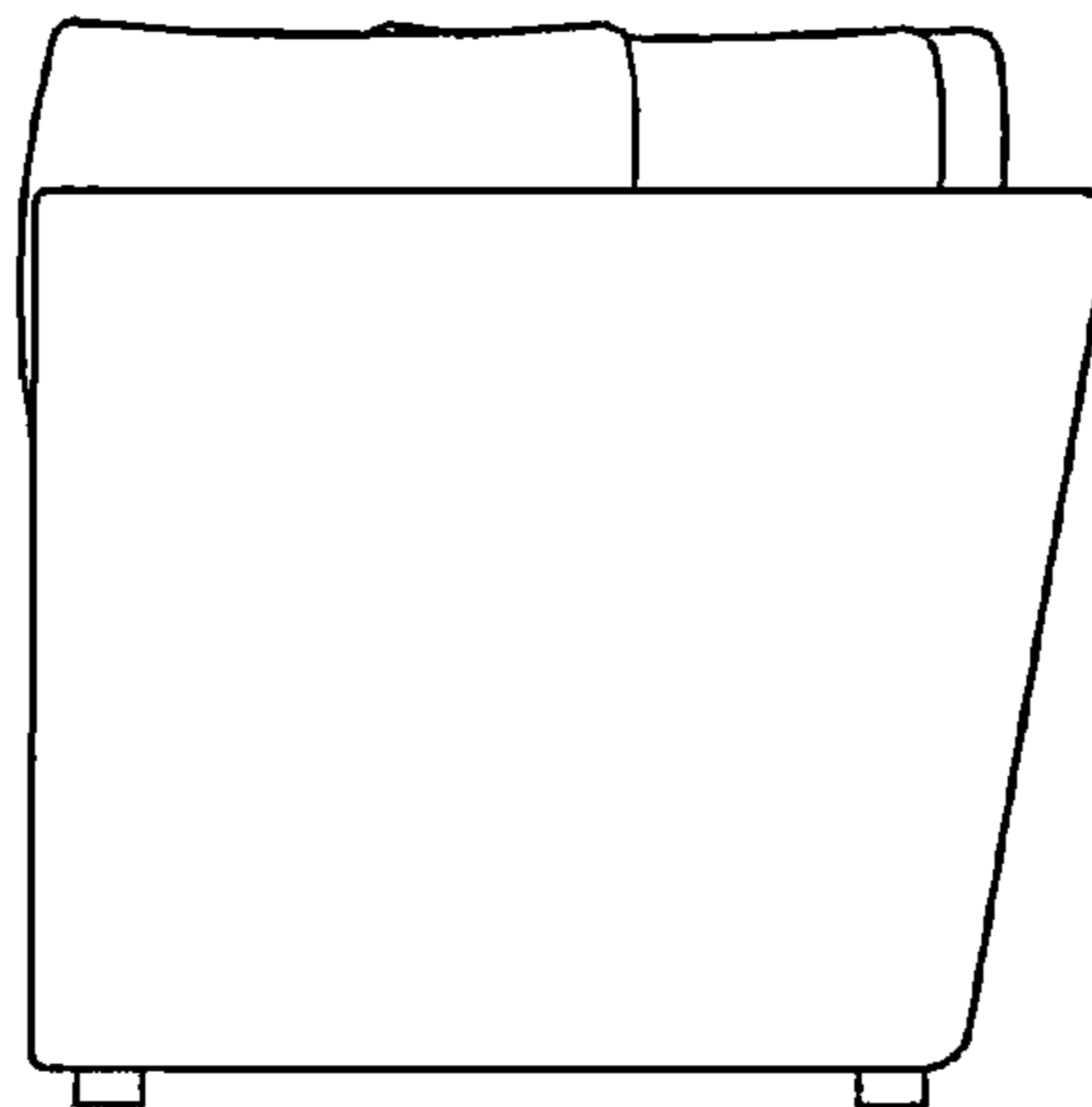


FIG 16

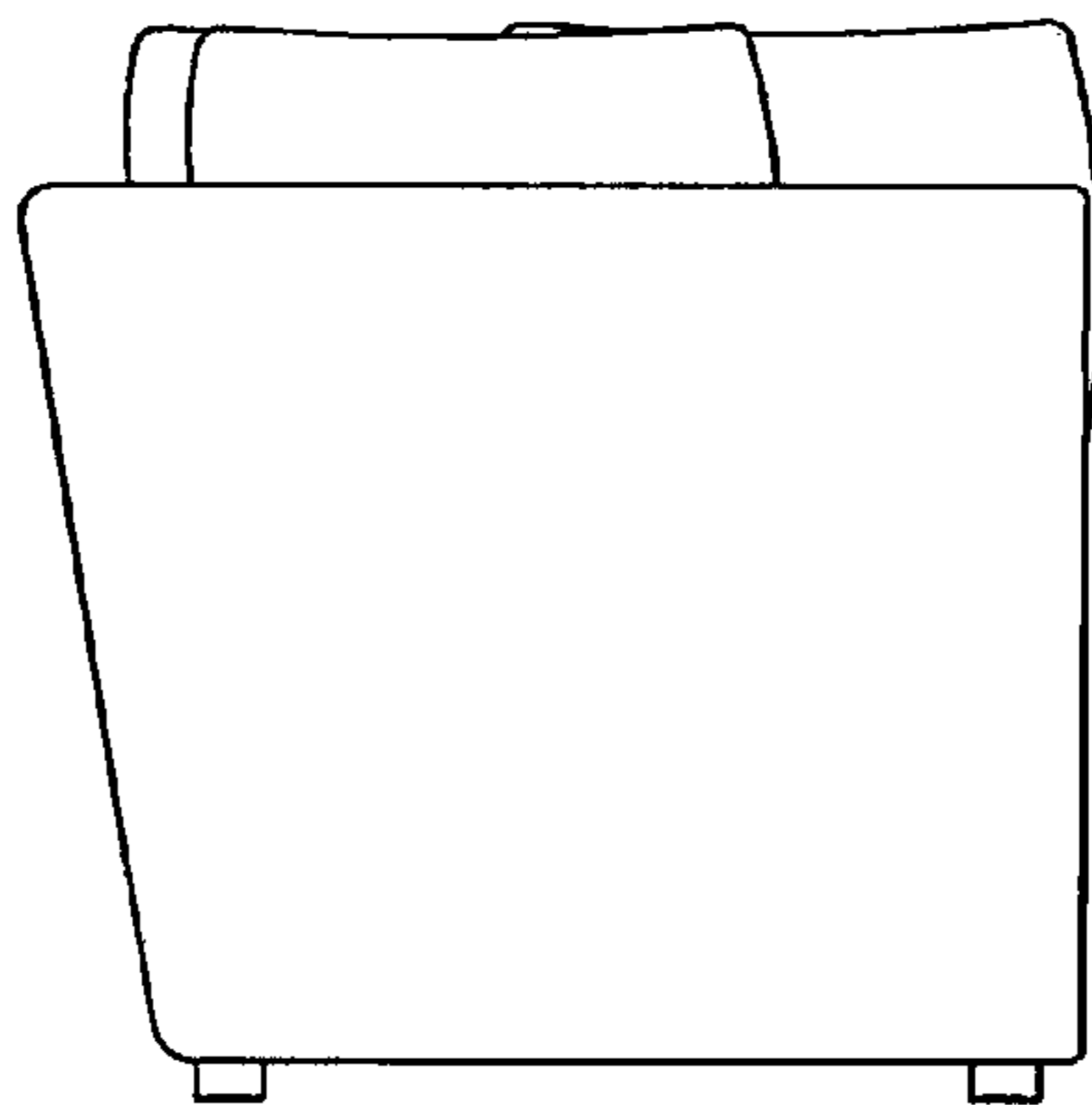


FIG 17

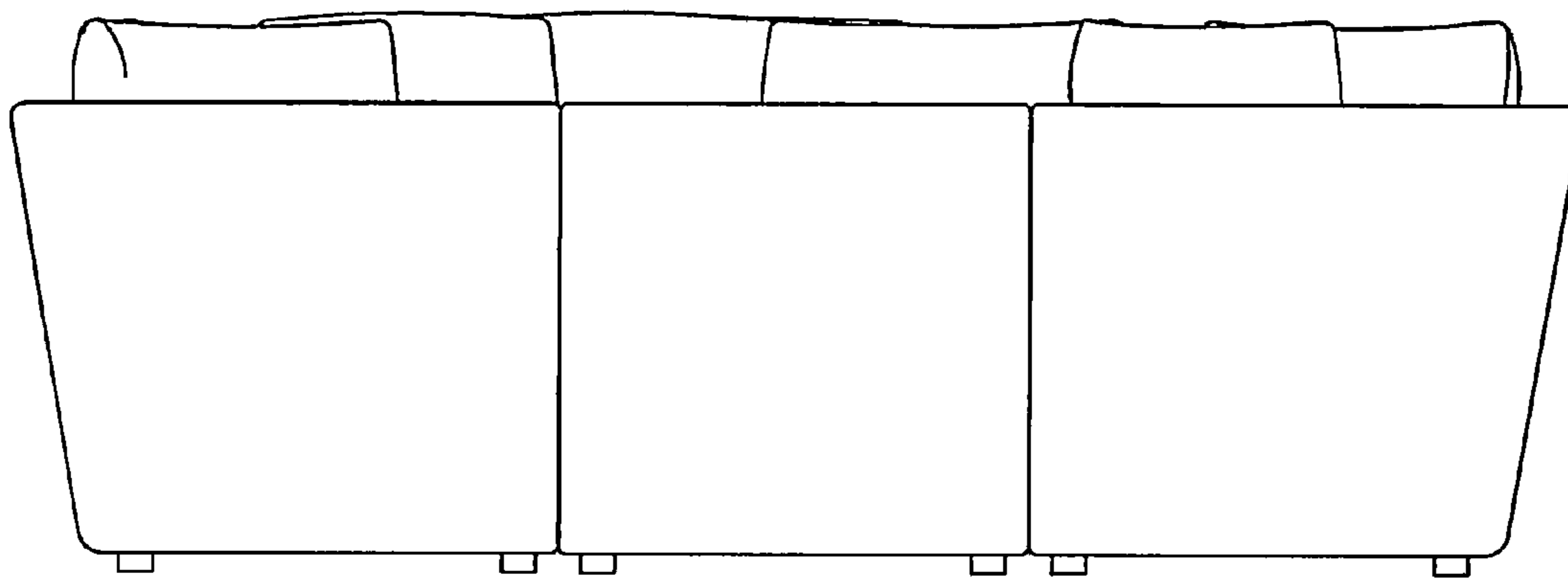


FIG 18

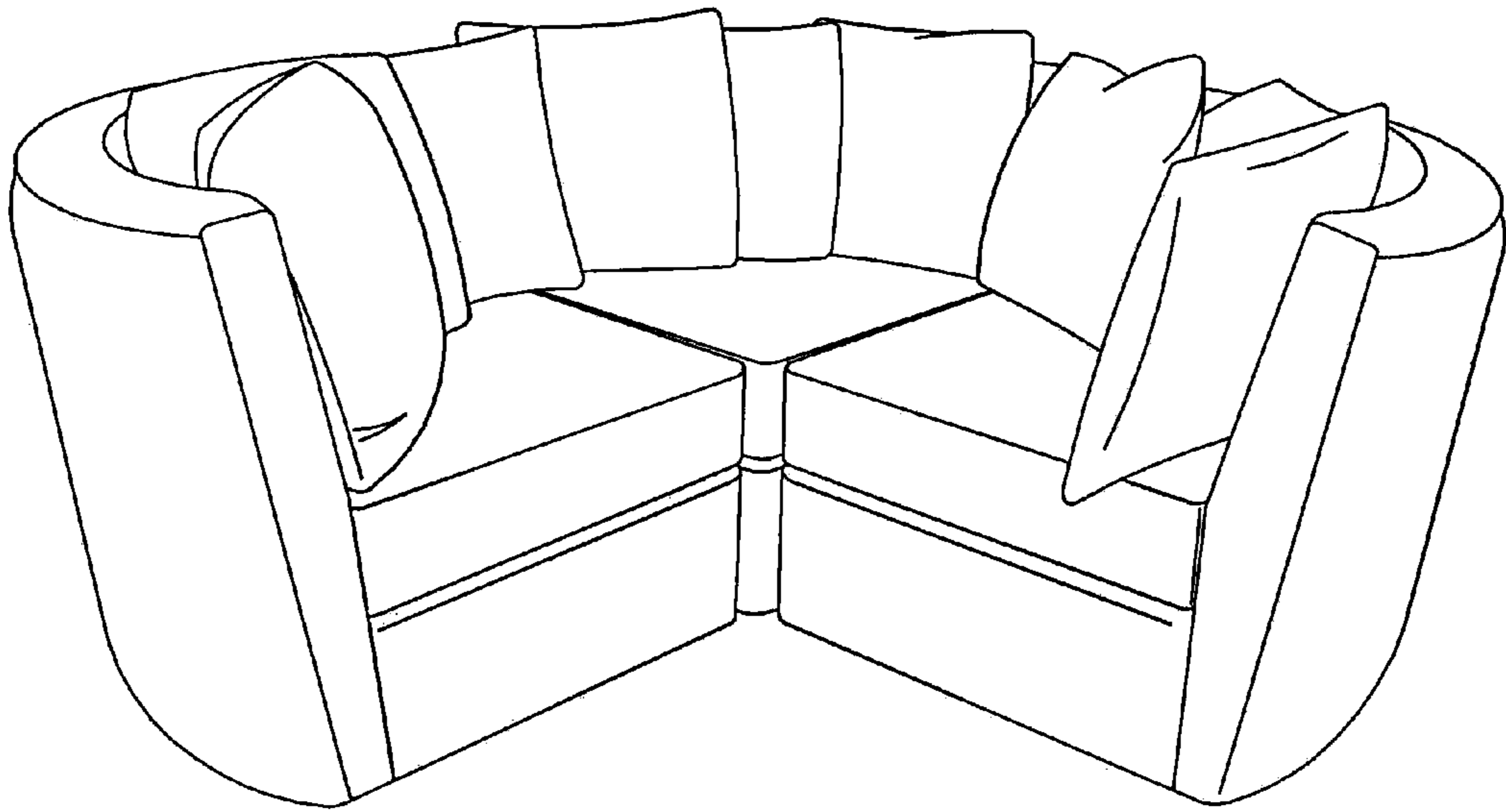


FIG 19

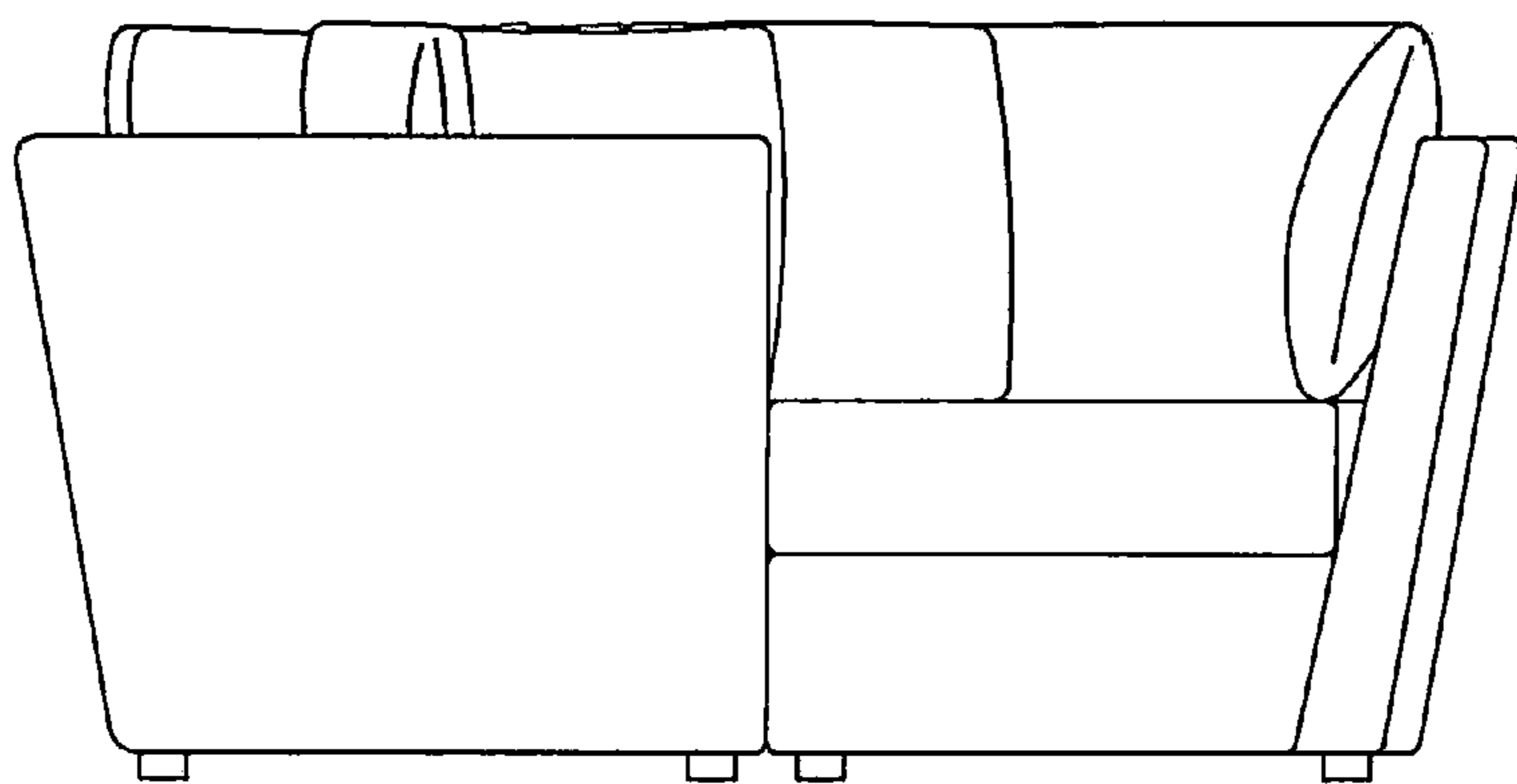


FIG 20

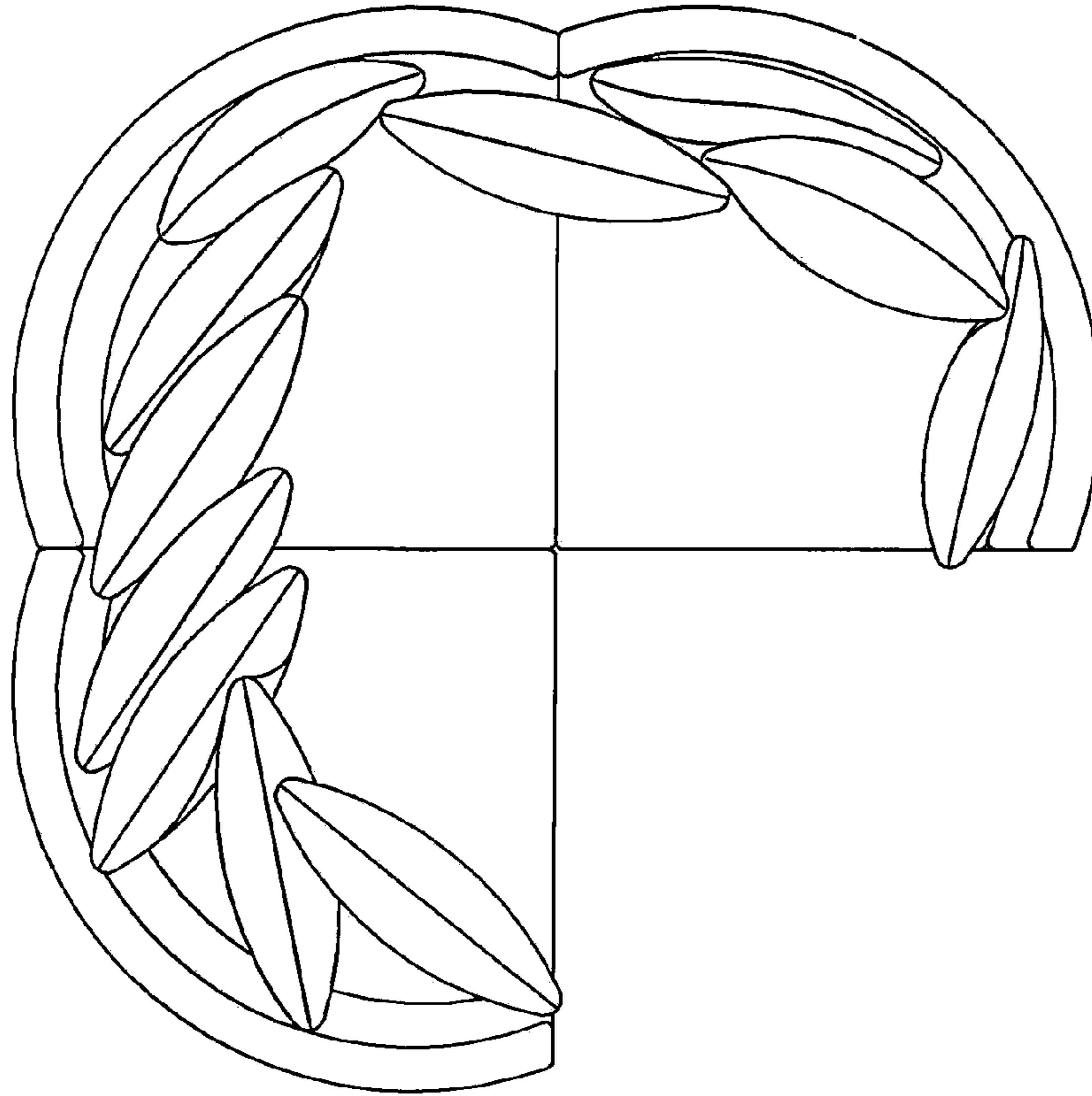


FIG 21

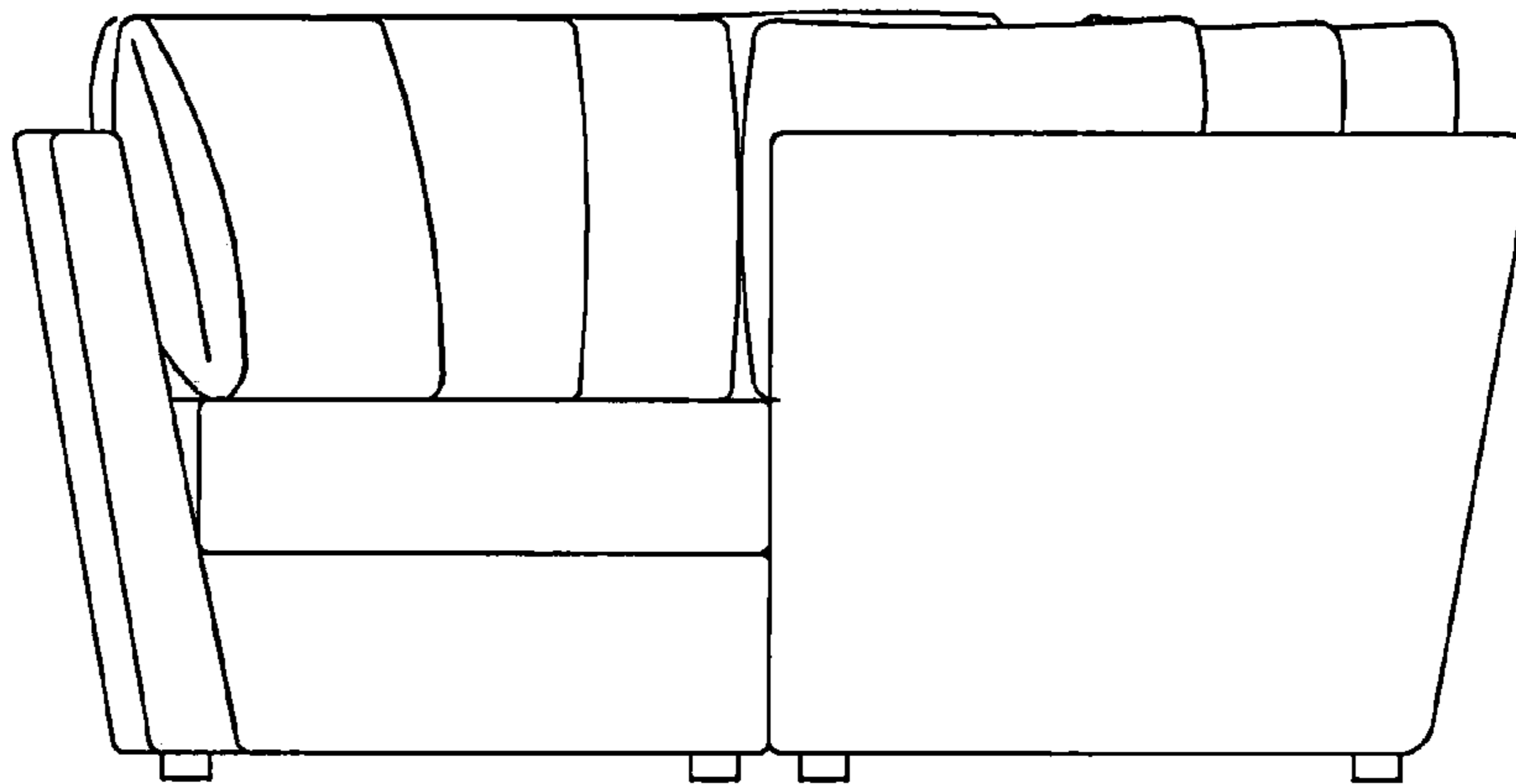


FIG 22

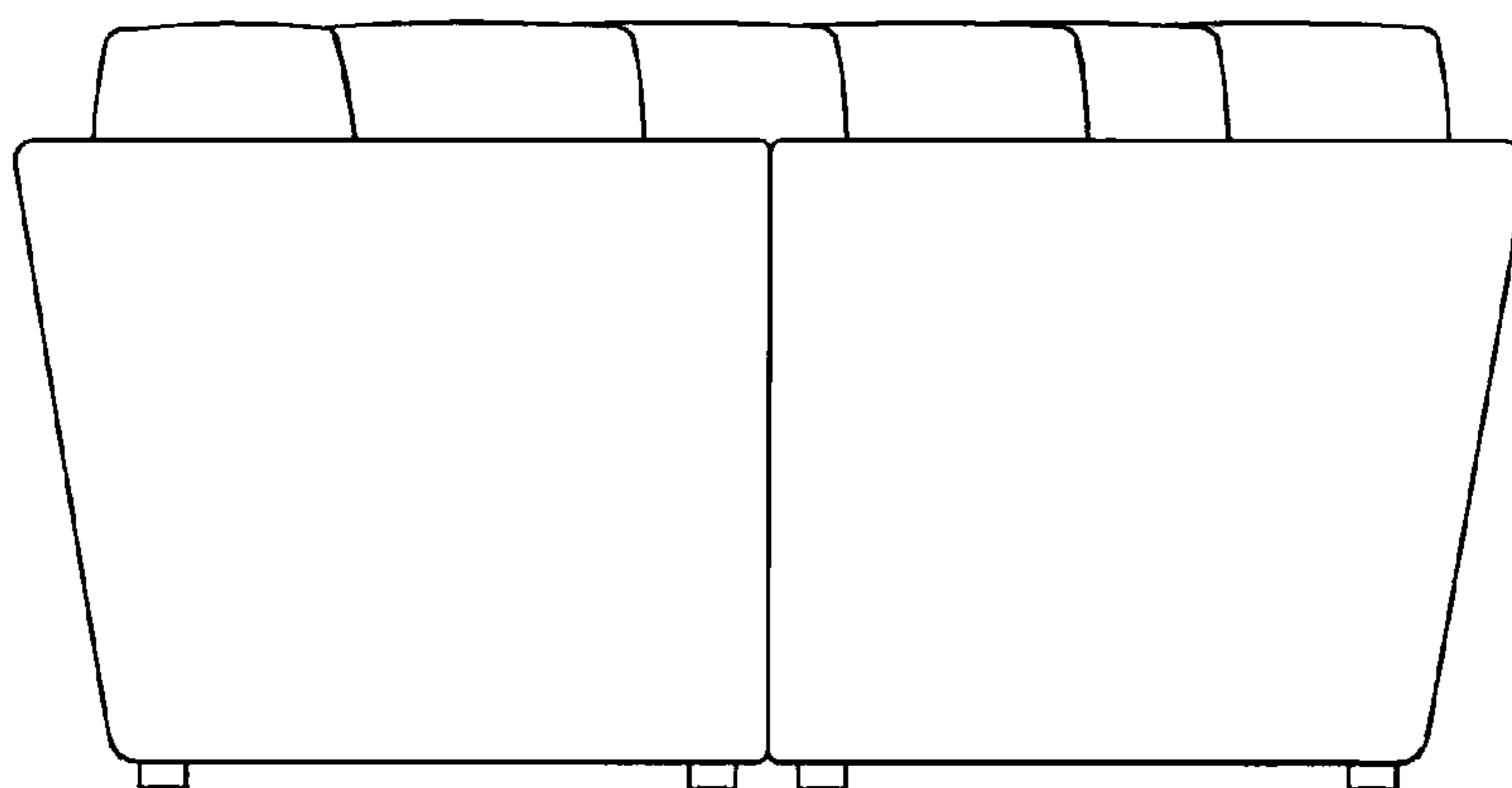


FIG 23

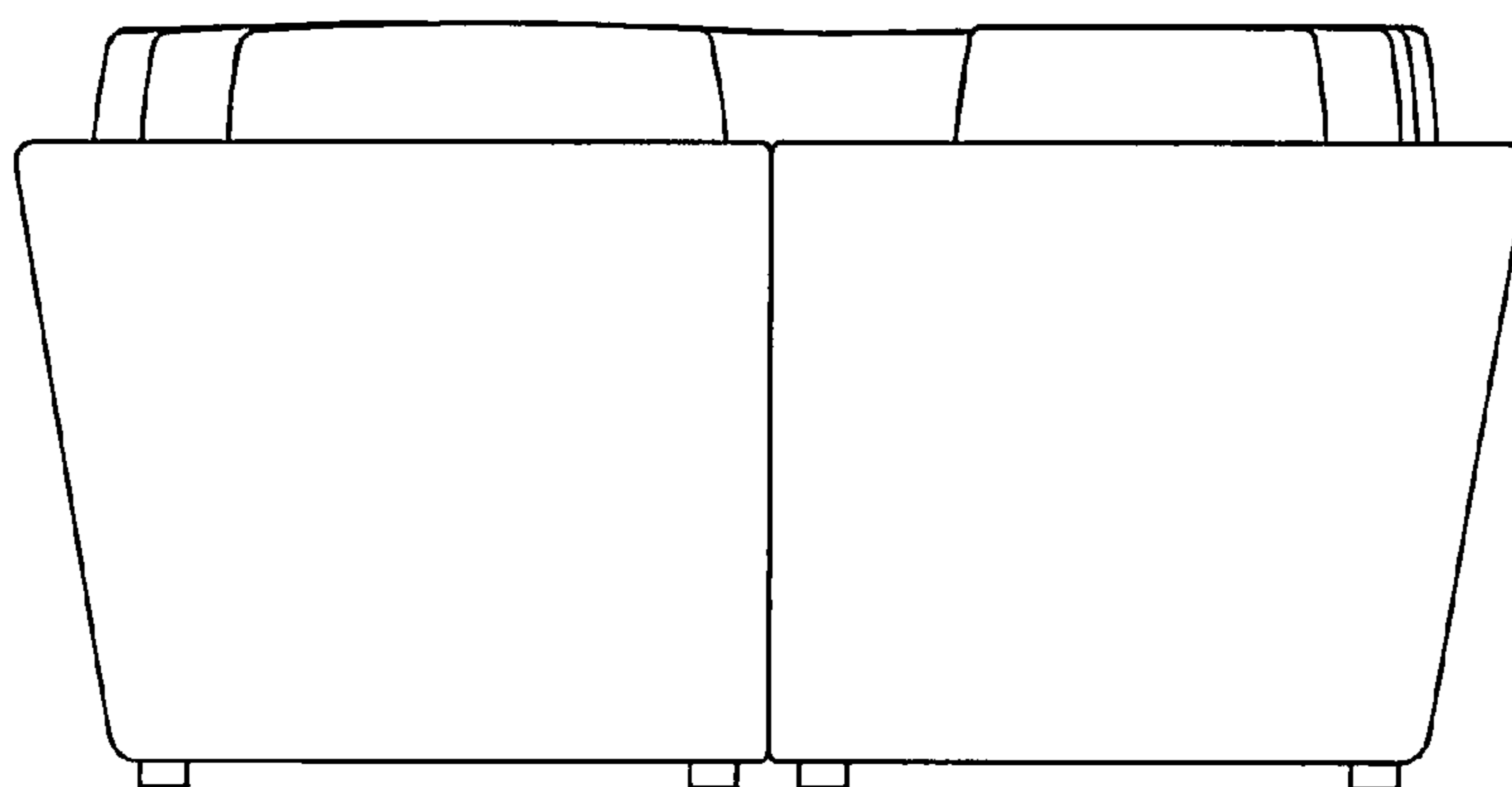


FIG 24

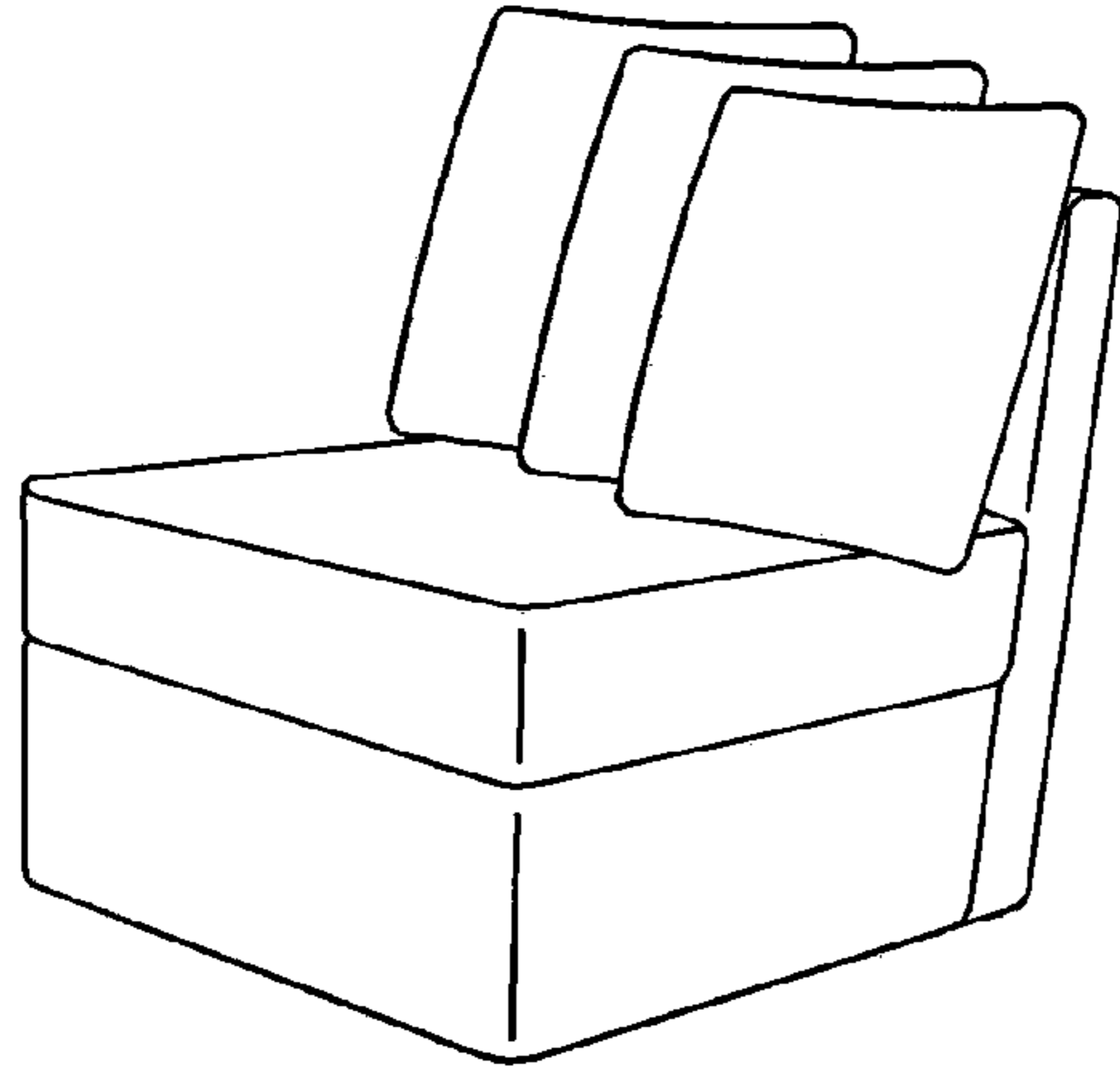


FIG 25

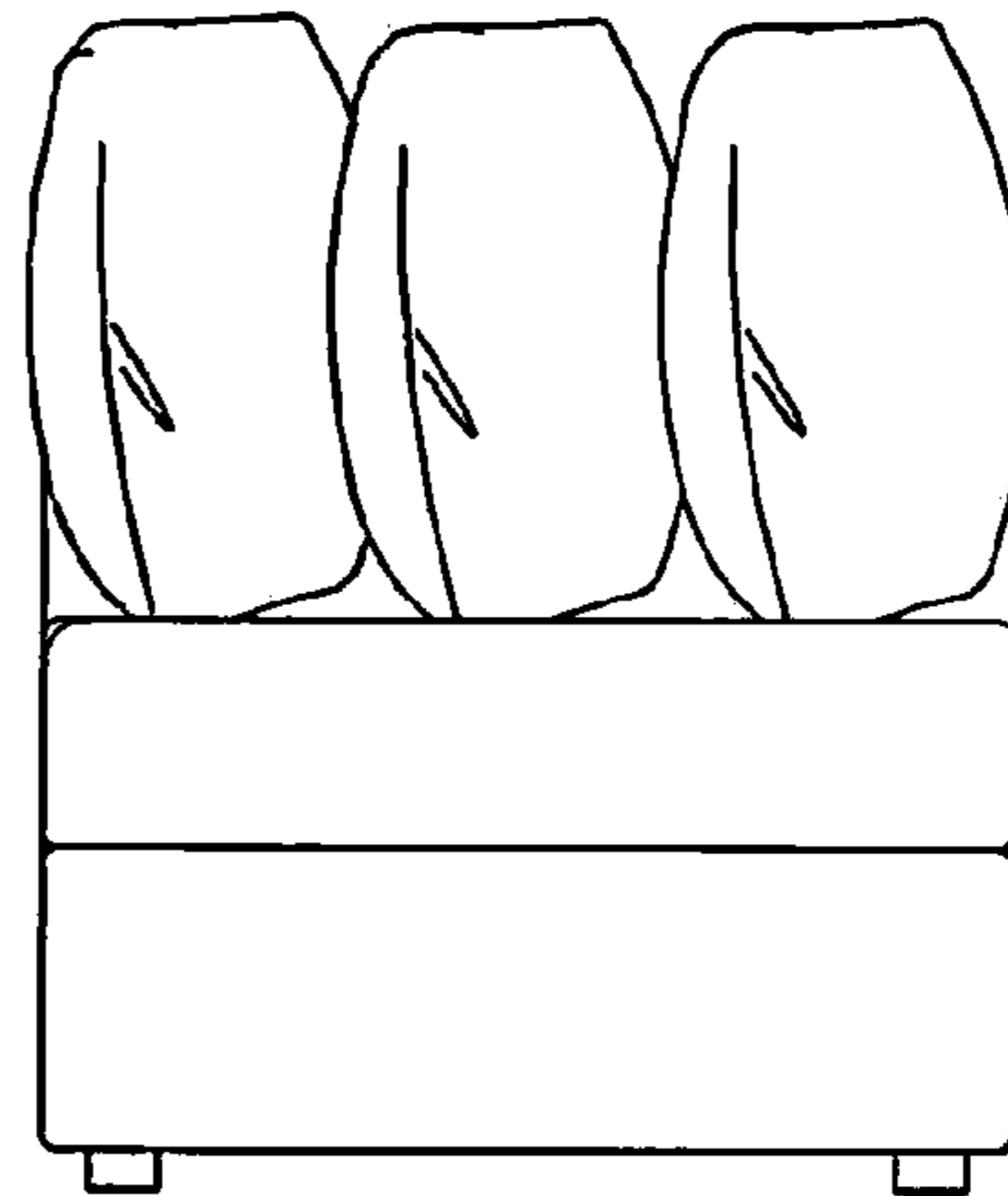


FIG 26

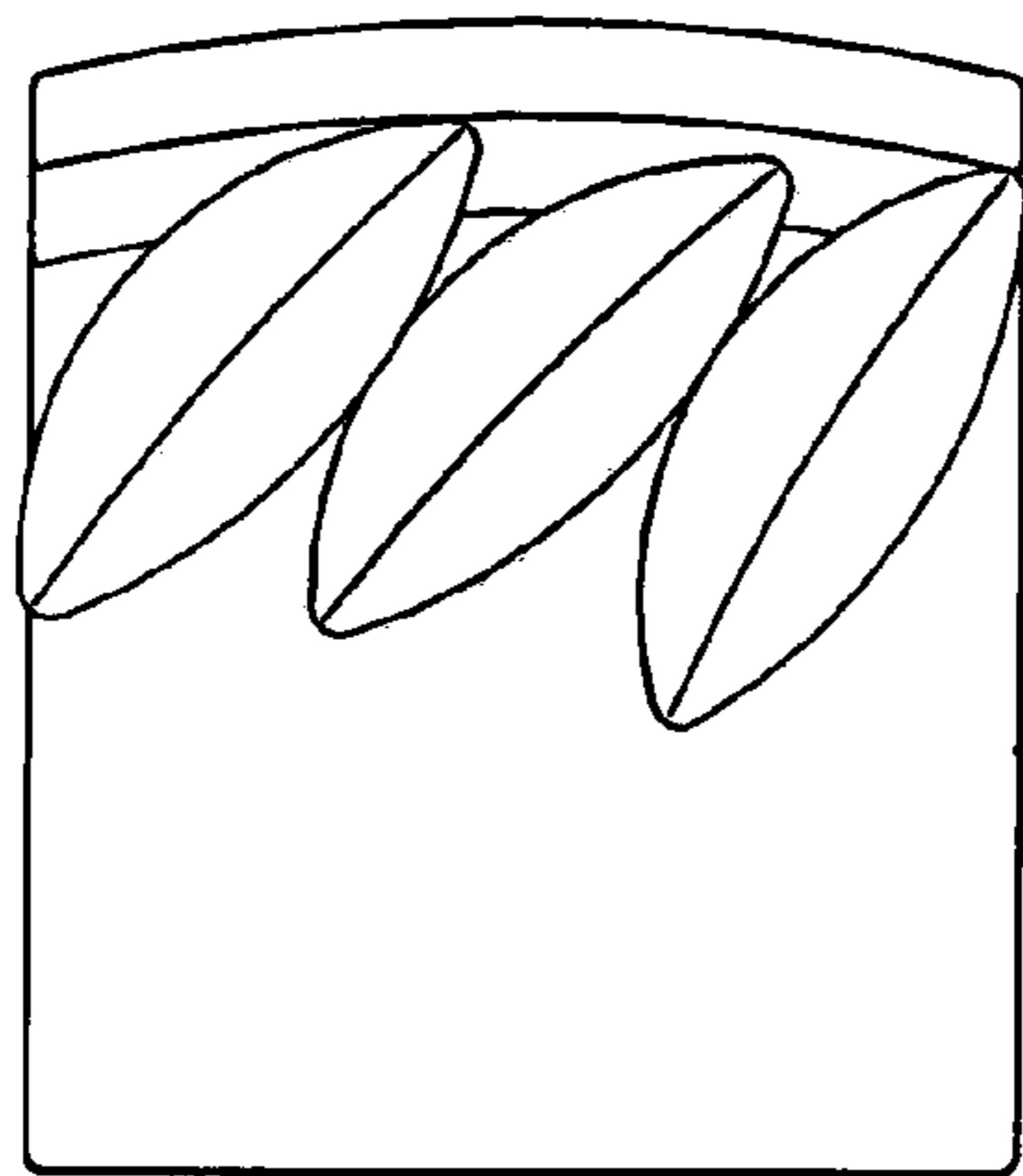


FIG 27

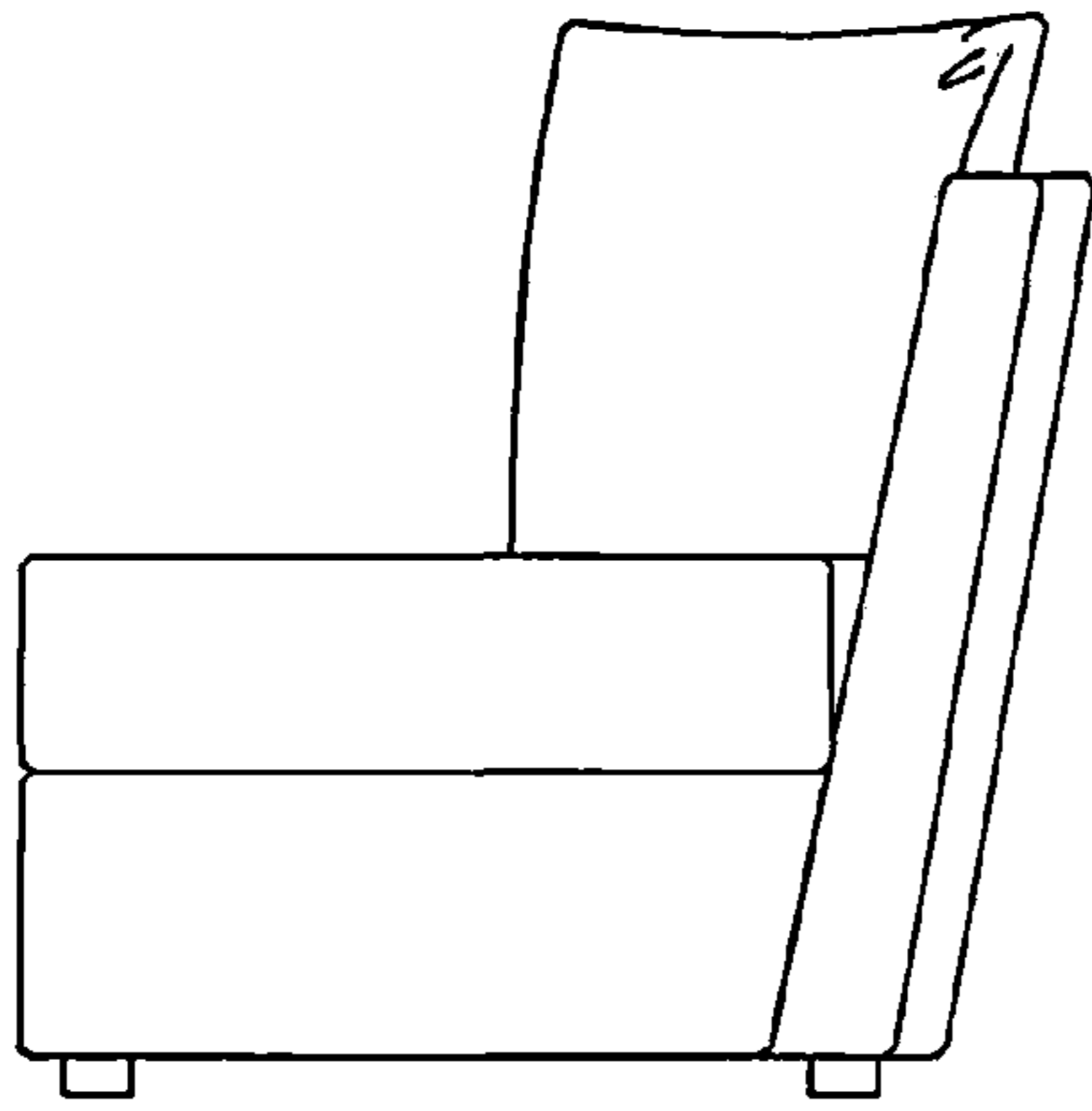


FIG 28

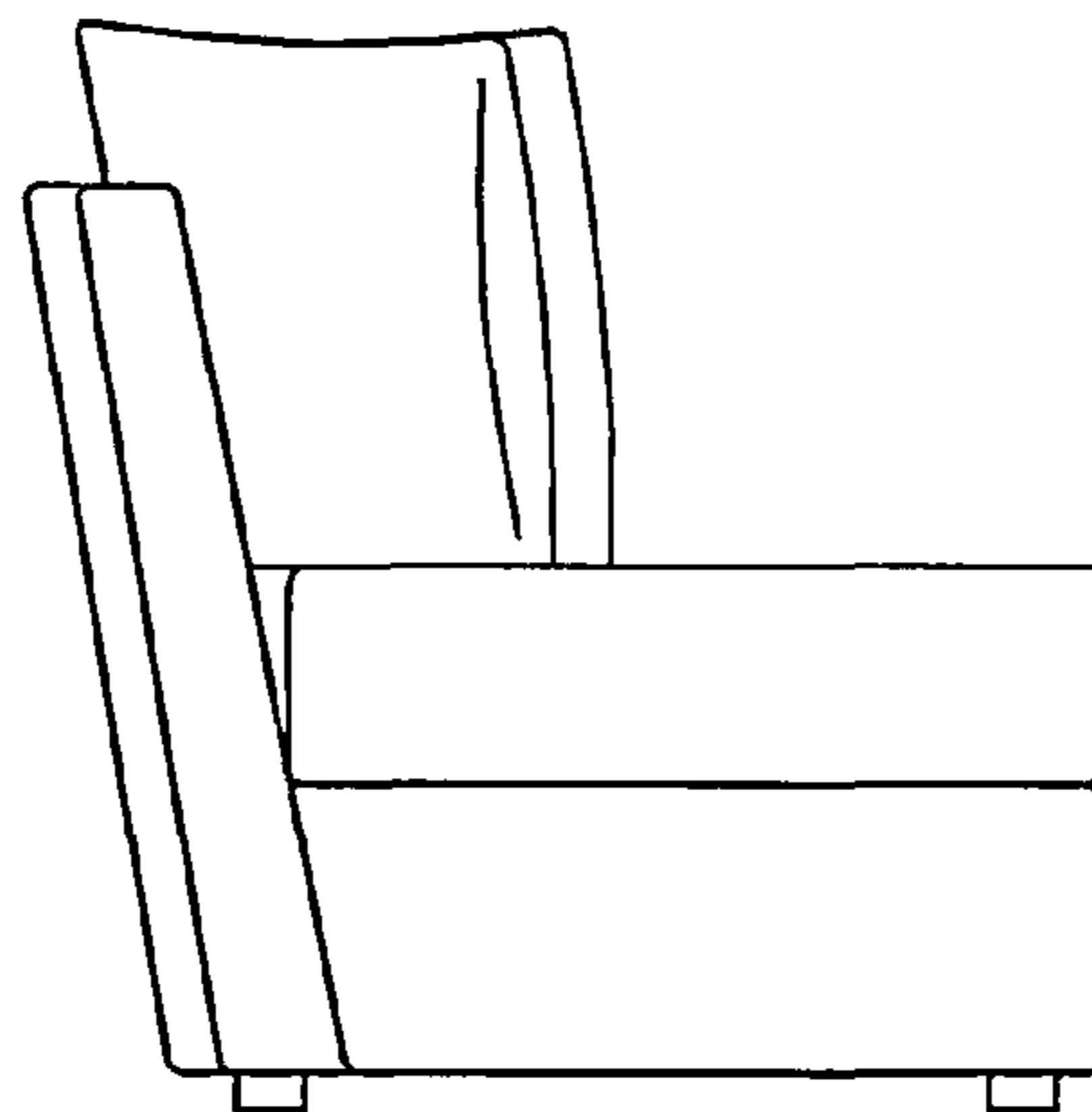


FIG 29

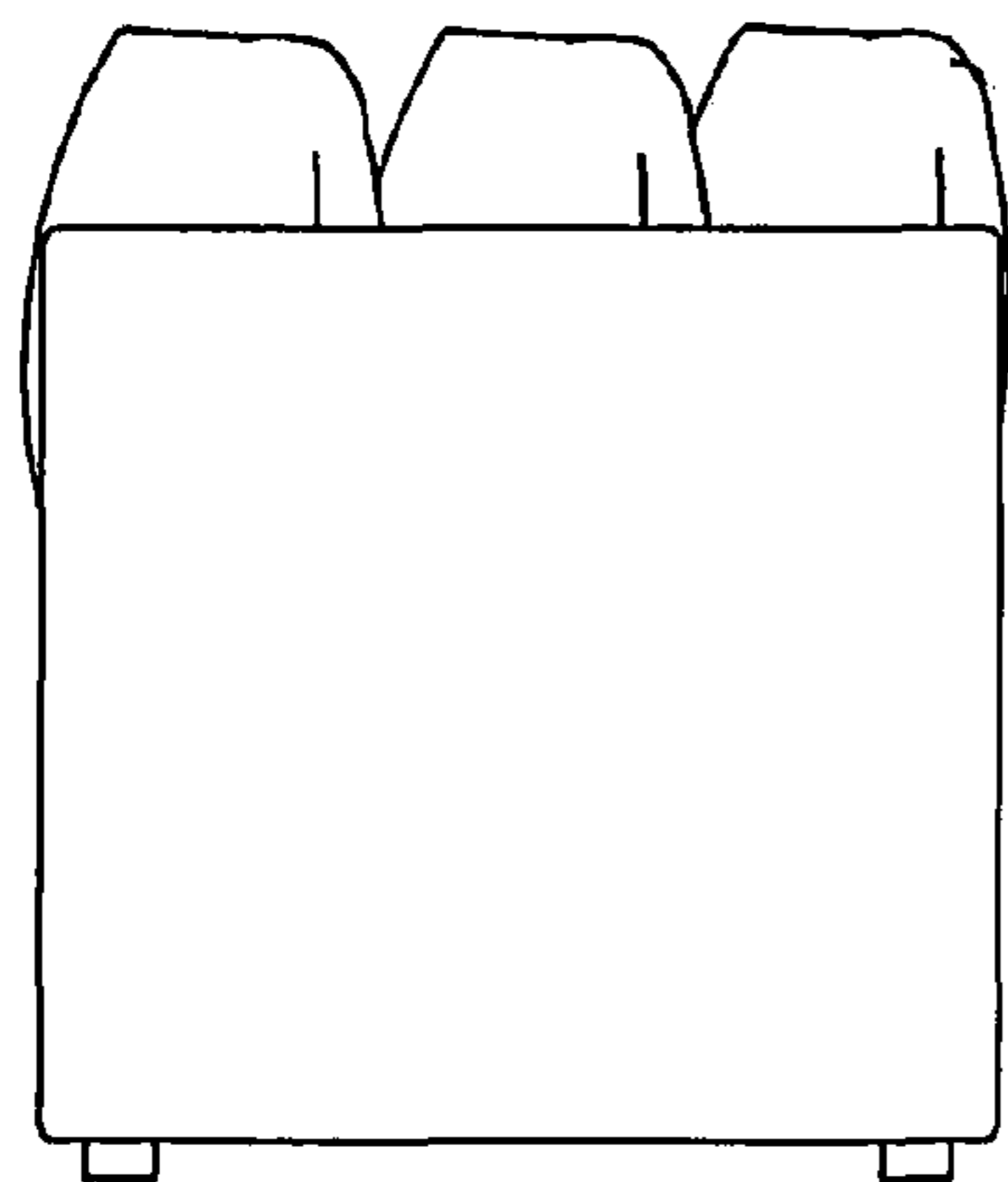


FIG 30



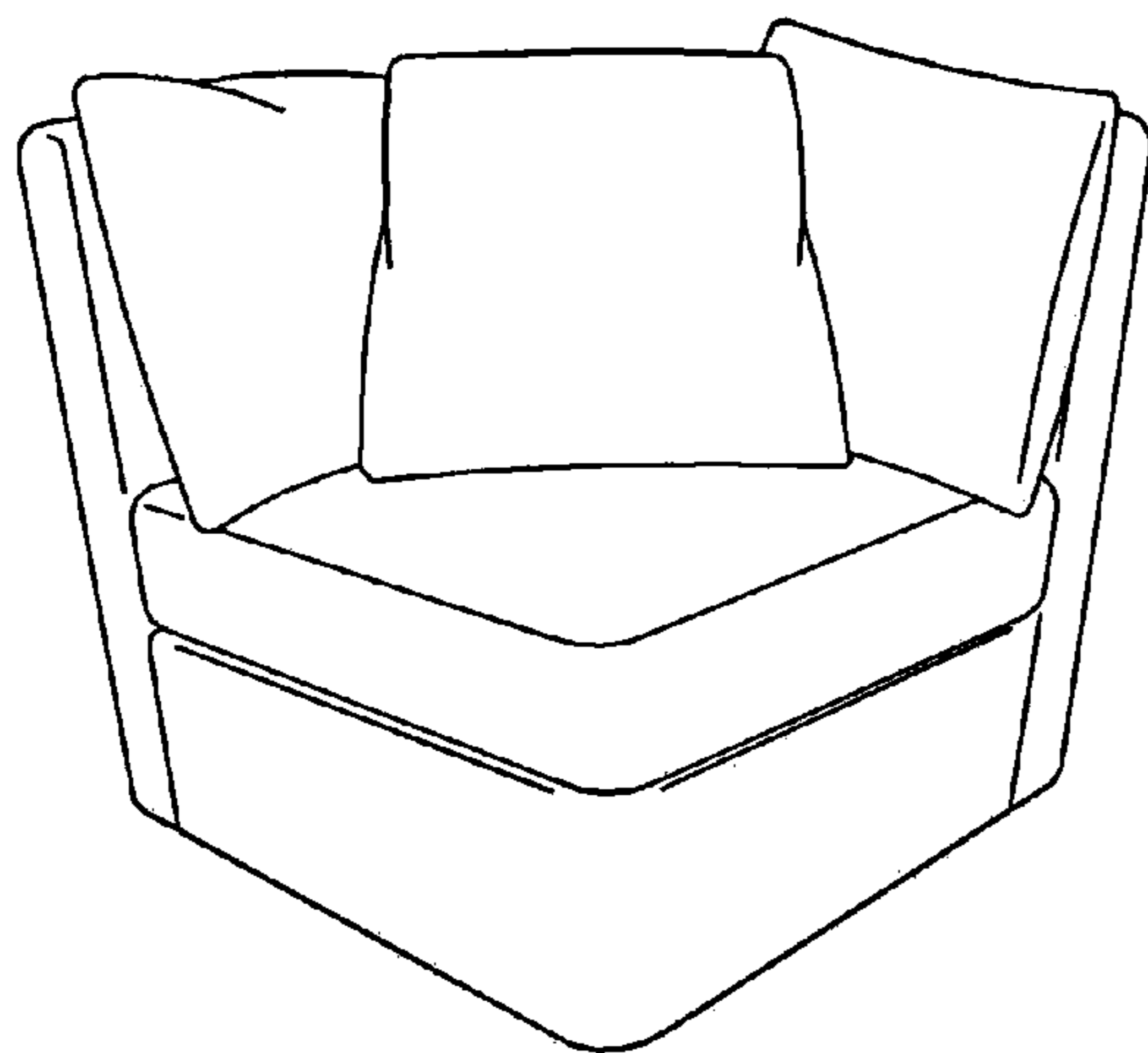


FIG 31

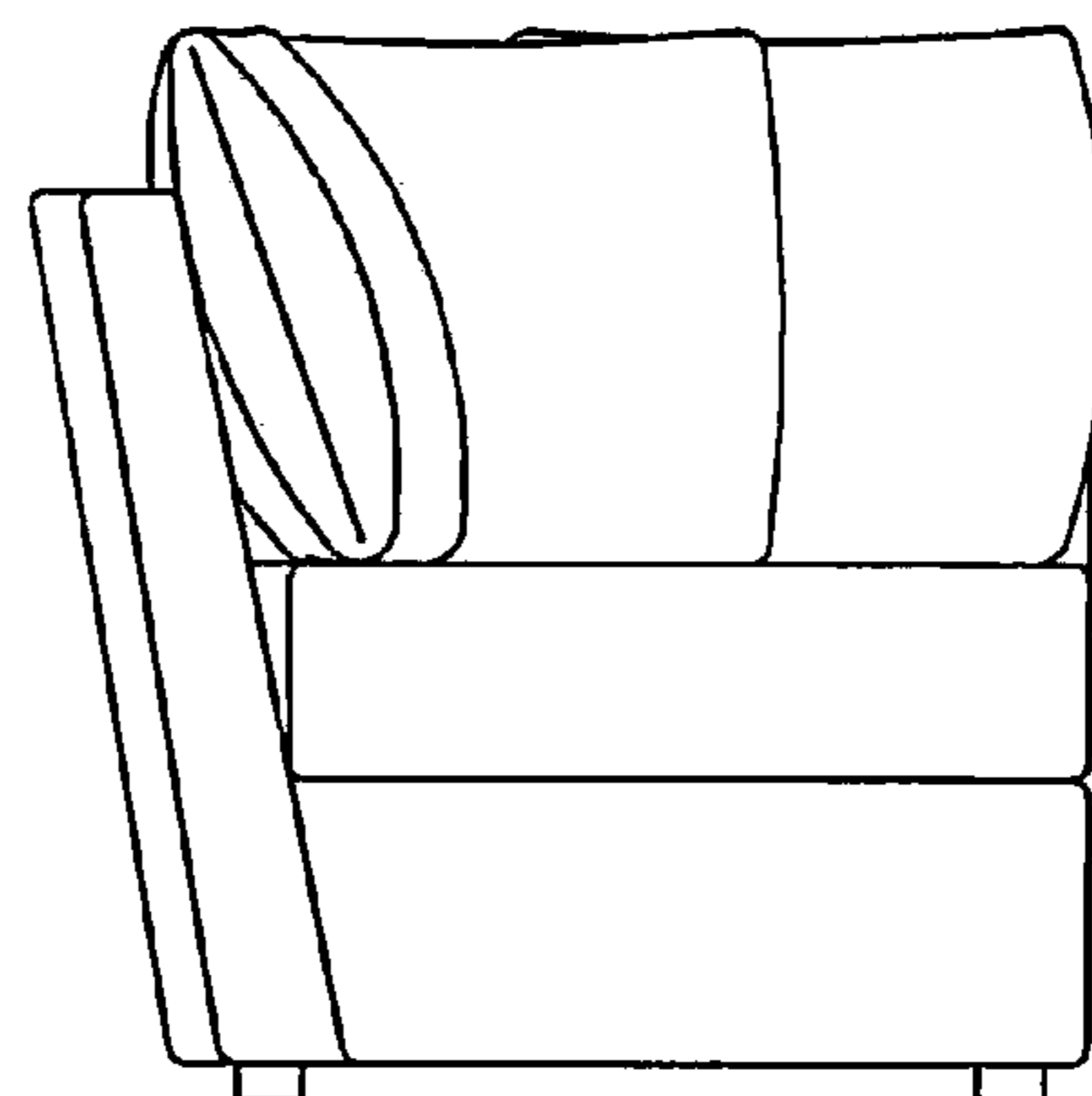


FIG 32

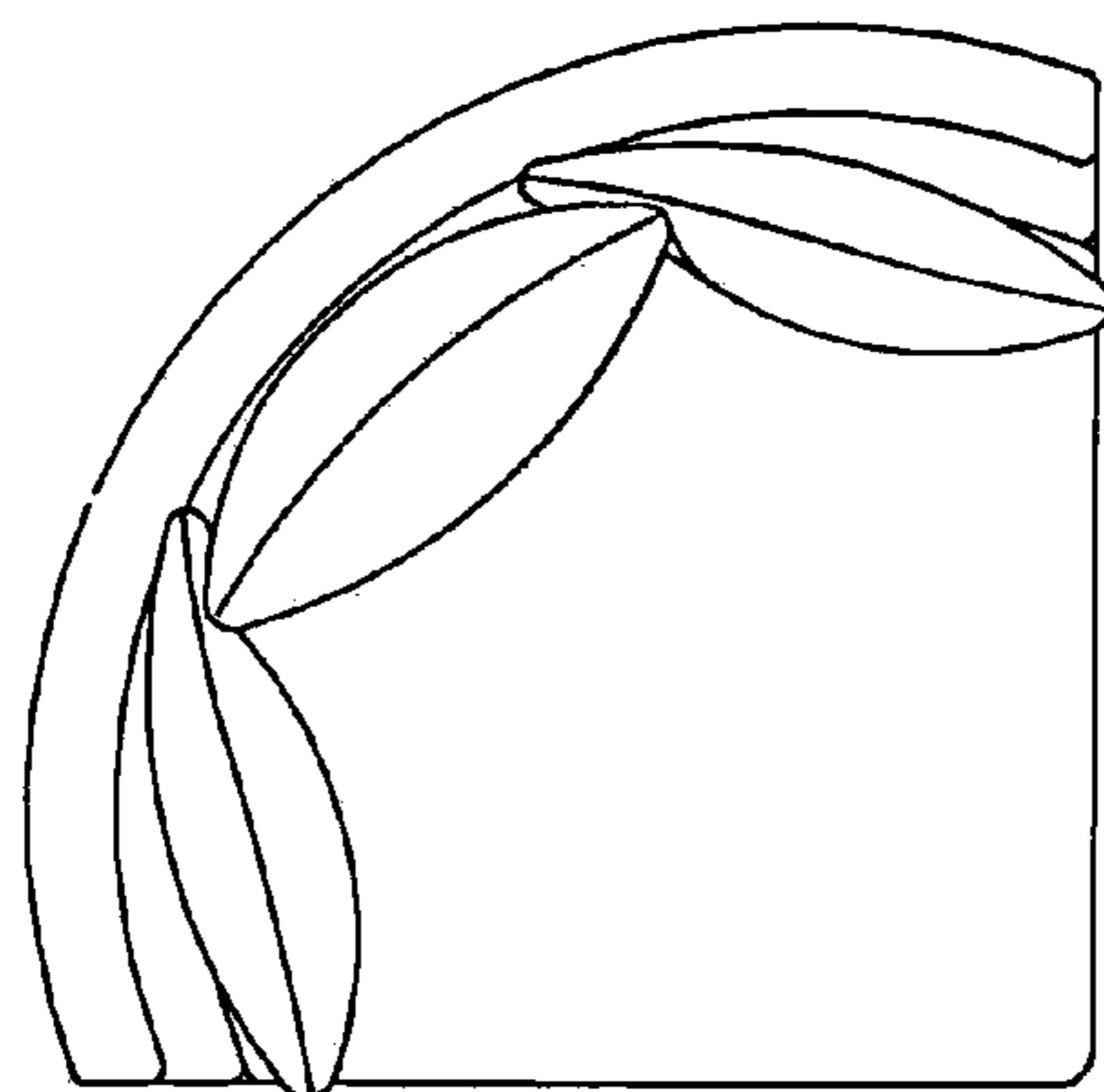


FIG 33

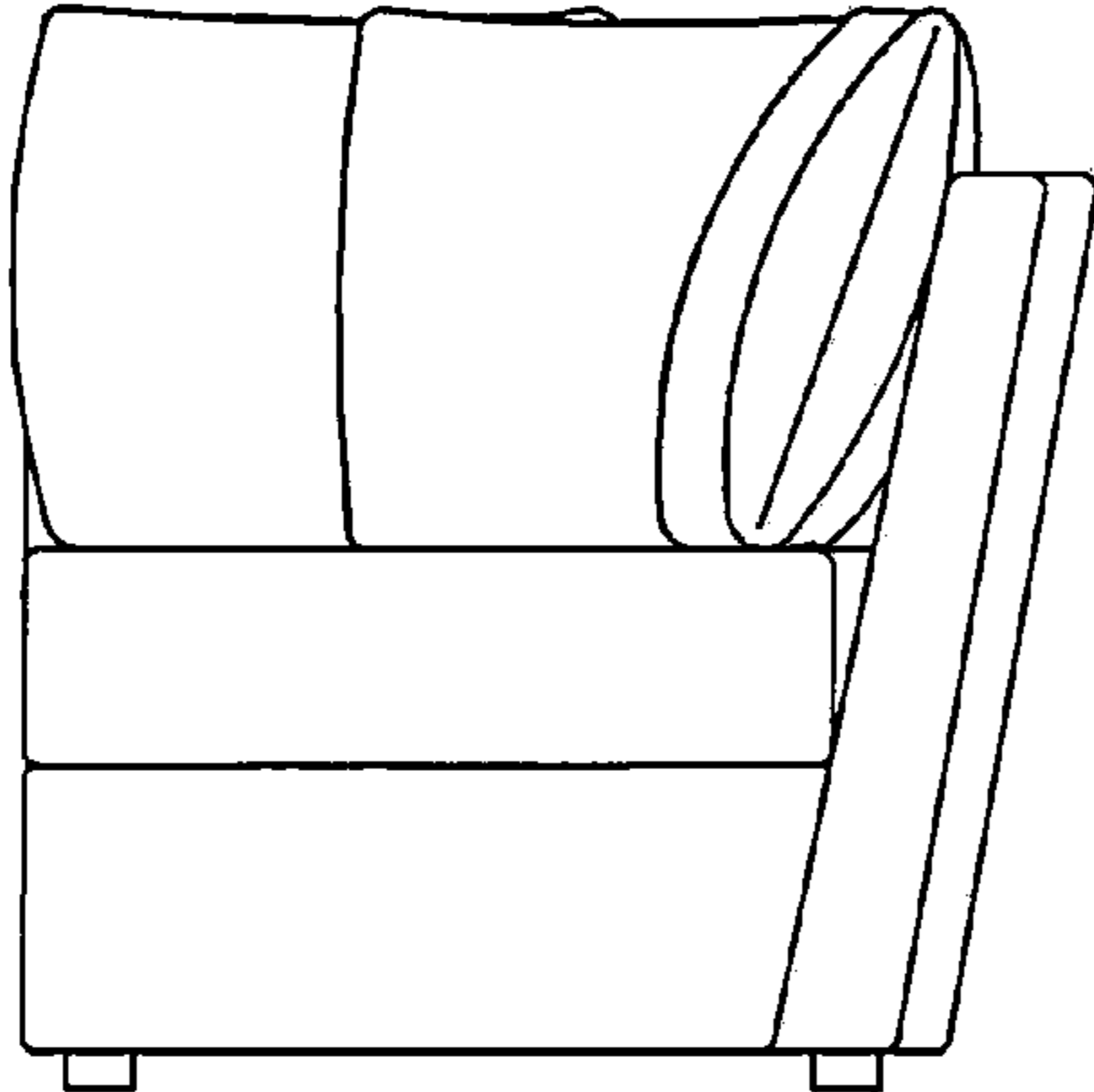


FIG 34

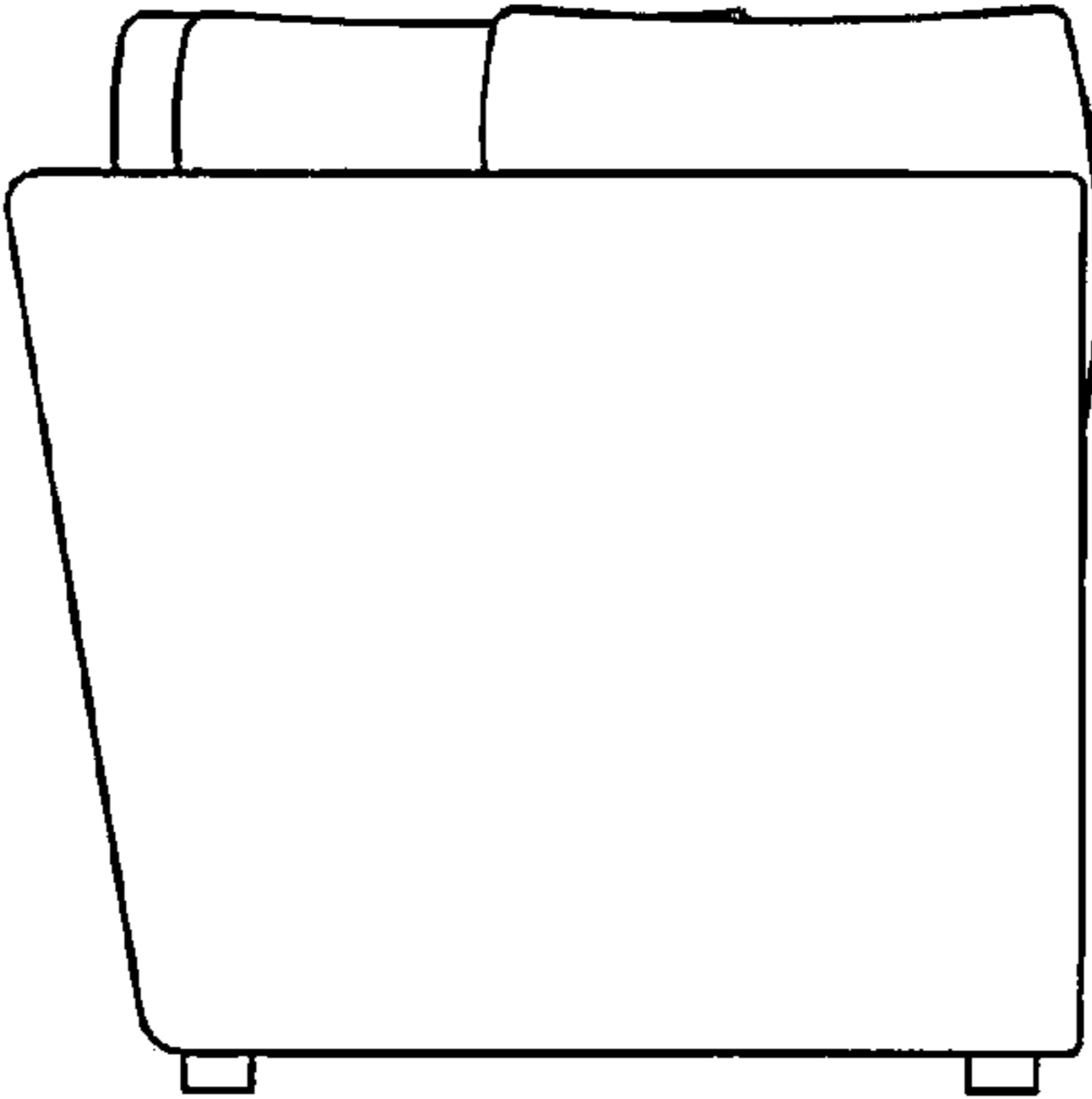


FIG 35

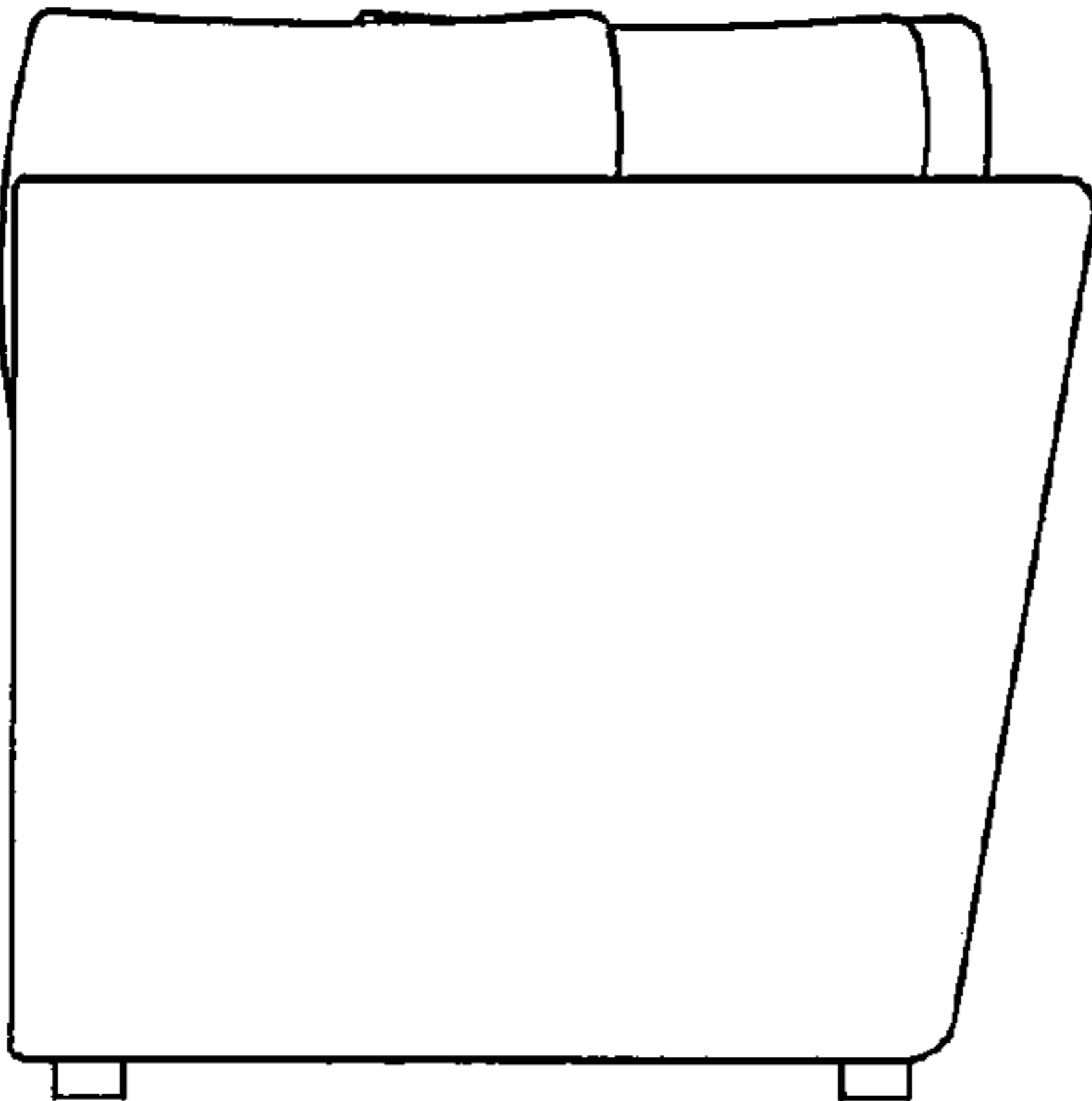


FIG 36