



US00D736531S

(12) **United States Design Patent**  
**Lan**

(10) **Patent No.:** **US D736,531 S**

(45) **Date of Patent:** **\*\* Aug. 18, 2015**

(54) **YOGA STOOL**

(71) Applicant: **Lou Lan**, New York, NY (US)

(72) Inventor: **Lou Lan**, New York, NY (US)

(\*\*) Term: **14 Years**

(21) Appl. No.: **29/504,304**

(22) Filed: **Oct. 3, 2014**

(51) **LOC (10) Cl.** ..... **06-01**

(52) **U.S. Cl.**  
USPC ..... **D6/349**

(58) **Field of Classification Search**  
USPC ..... D6/333, 335, 340, 344, 347, 349-355,  
D6/358, 360, 363-365, 381, 596, 601, 685,  
D6/687, 688.15, 688.27, 690, 691, 692.3,  
D6/708, 708.16, 709, 709.2, 709.22, 711,  
D6/716-716.7, 717

CPC ..... A47C 1/14; A47C 3/16-3/20; A47C 4/00;  
A47C 4/28; A47C 5/02; A47C 5/04; A47C  
5/043; A47C 7/00-7/006; A47C 7/02; A47C  
9/00; A47C 9/02; A47C 9/002; A47C 9/007;  
A47C 9/025; A47C 9/10; A47C 11/00;  
A47C 12/00; A47C 13/00; A47C 16/02  
See application file for complete search history.

(56) **References Cited**

**U.S. PATENT DOCUMENTS**

|              |         |                   |         |
|--------------|---------|-------------------|---------|
| D151,983 S   | 12/1948 | Guertin           |         |
| 3,890,004 A  | 6/1975  | Rail              | 297/423 |
| 3,982,784 A  | 9/1976  | Esser             | 297/1   |
| D257,439 S   | 10/1980 | Horii             | D21/127 |
| D297,080 S * | 8/1988  | Hemberg           | D6/430  |
| 4,810,031 A  | 3/1989  | Patterson         | 297/192 |
| D351,508 S   | 10/1994 | Bonazza           | D6/336  |
| D407,569 S * | 4/1999  | Underbrink et al. | D6/349  |
| D415,359 S   | 10/1999 | Boyd              | D6/336  |

|                 |         |                  |           |
|-----------------|---------|------------------|-----------|
| D420,396 S      | 2/2000  | Vieslet          | D21/191   |
| D485,093 S *    | 1/2004  | de Blois         | D6/485    |
| D490,616 S      | 6/2004  | Ljahnicky et al. | D6/329    |
| D493,618 S      | 8/2004  | DeCarlo et al.   | D3/302    |
| D506,123 S *    | 6/2005  | English et al.   | D8/358    |
| 7,097,241 B2    | 8/2006  | Tally et al.     | 297/118   |
| 7,488,282 B2    | 2/2009  | Leavitt          | 482/142   |
| D610,818 S      | 3/2010  | Crane            | D6/349    |
| D627,013 S      | 11/2010 | Nys              | D21/686   |
| 7,997,216 B2    | 8/2011  | Thornbury et al. | 108/157.1 |
| D684,215 S      | 6/2013  | Markowitz        | D21/333   |
| D688,050 S      | 8/2013  | Gologorsky       | D6/349    |
| D699,043 S      | 2/2014  | McNae            | D6/335    |
| D701,582 S      | 3/2014  | Sterios          | D21/686   |
| D710,622 S *    | 8/2014  | Nigro            | D6/349    |
| 2002/0177509 A1 | 11/2002 | Rodgers et al.   | 482/53    |
| 2009/0062093 A1 | 3/2009  | Clark            | 482/148   |

**FOREIGN PATENT DOCUMENTS**

|    |              |        |
|----|--------------|--------|
| CN | 202354956 U  | 8/2001 |
| DE | 44 14 096 A1 | 9/1994 |

\* cited by examiner

*Primary Examiner* — Susan Bennett Hattan

*Assistant Examiner* — Vy Koenig

(74) *Attorney, Agent, or Firm* — Ostrolenk Faber LLP

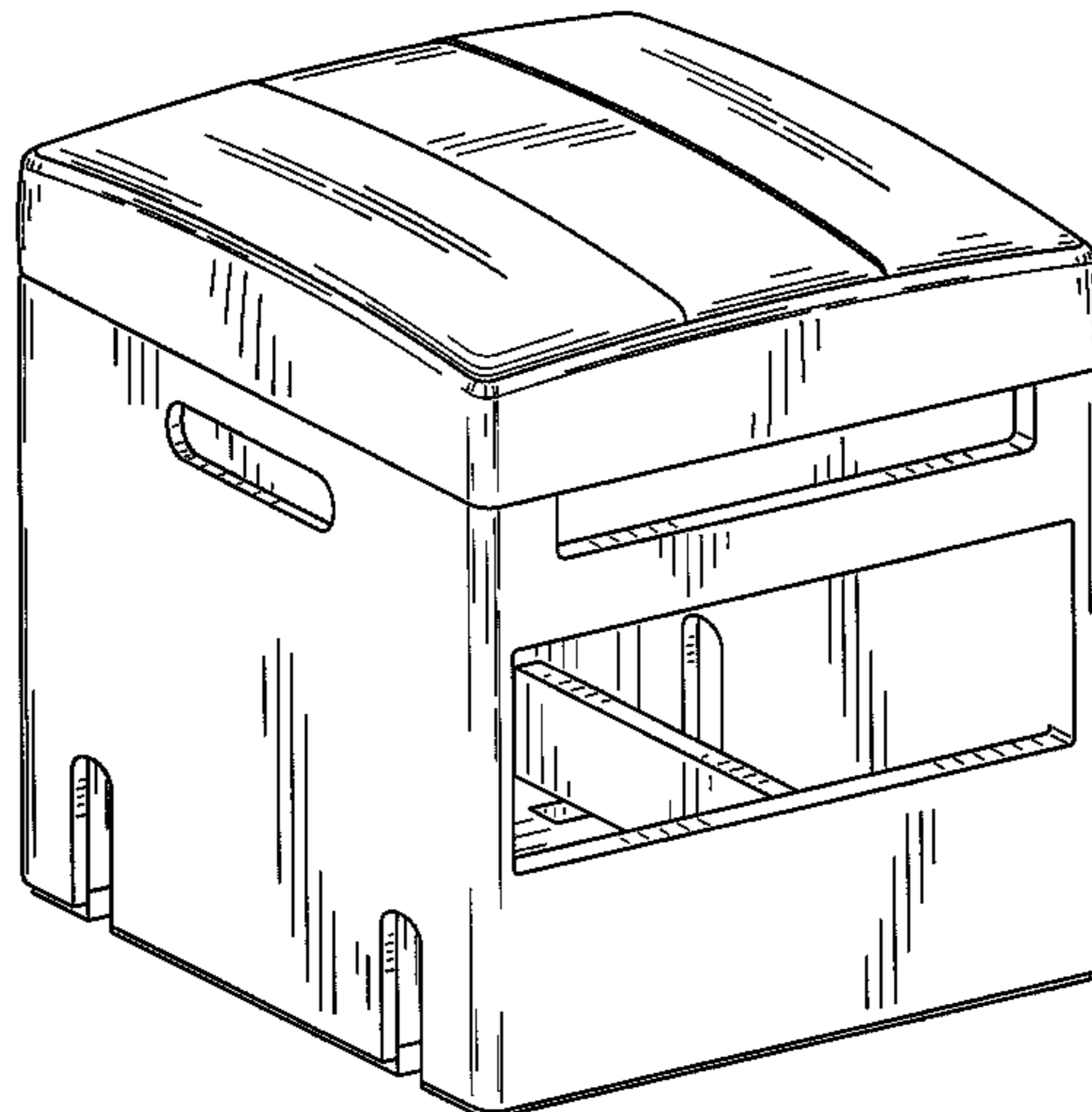
(57) **CLAIM**

The ornamental design for a yoga stool, as shown.

**DESCRIPTION**

FIG. 1 is a front right perspective view thereof;  
FIG. 2 is a rear left perspective view thereof;  
FIG. 3 is a front elevation view thereof;  
FIG. 4 is a rear elevation view thereof;  
FIG. 5 is a left side elevation view thereof;  
FIG. 6 is a right side elevation view thereof;  
FIG. 7 is a top plan view thereof; and,  
FIG. 8 is a bottom plan view thereof.

**1 Claim, 5 Drawing Sheets**



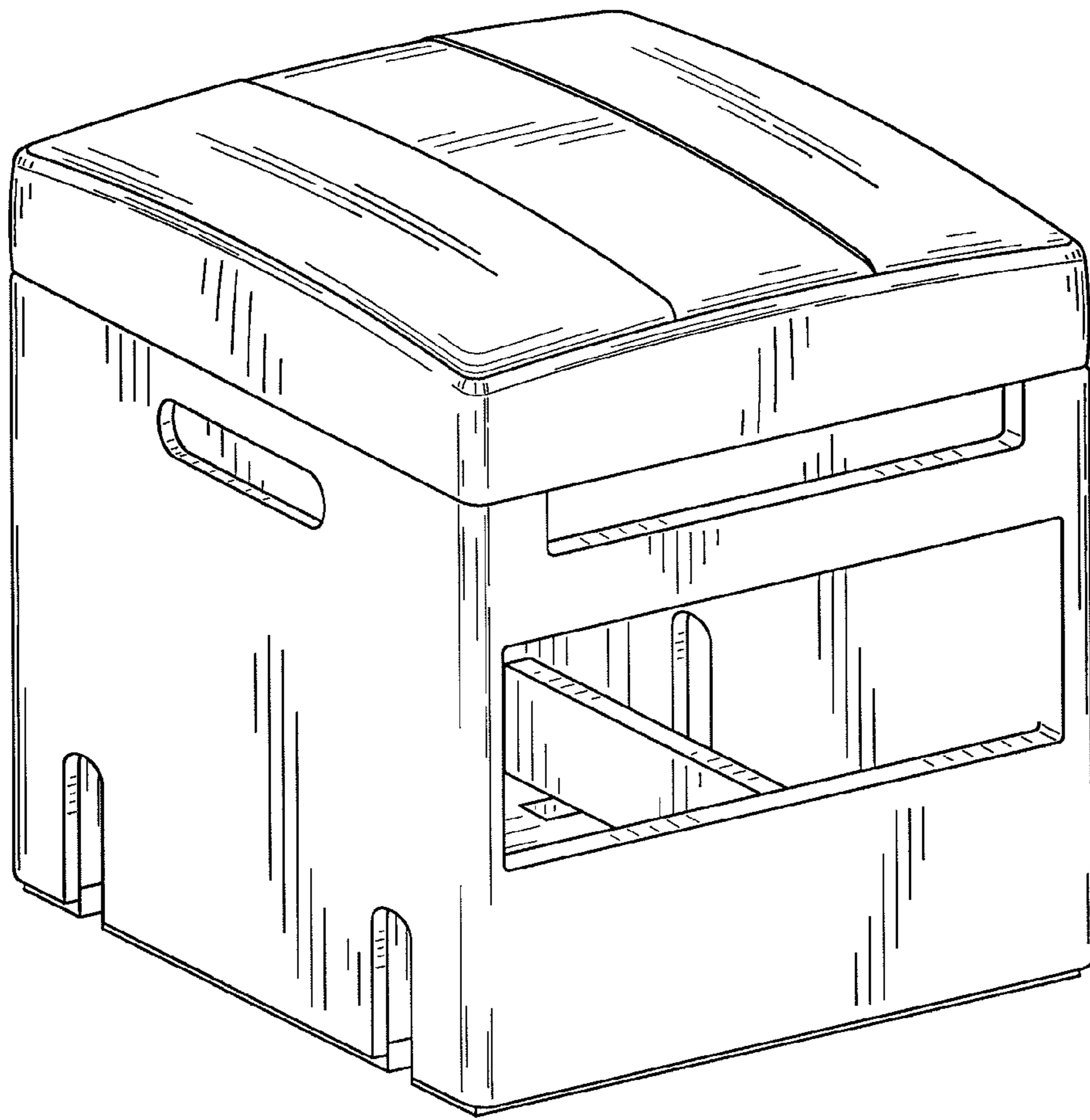


FIG. 1

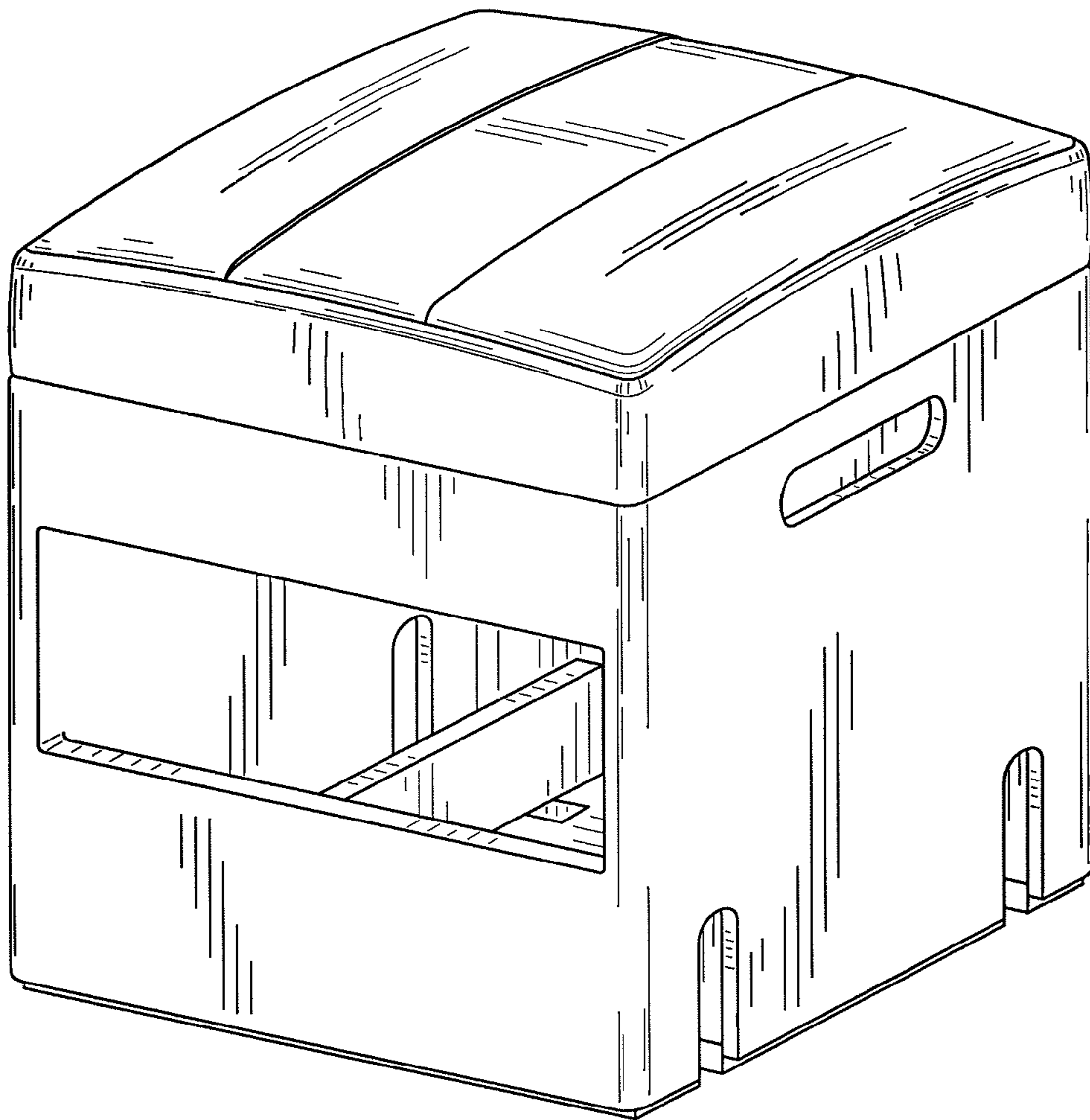


FIG. 2

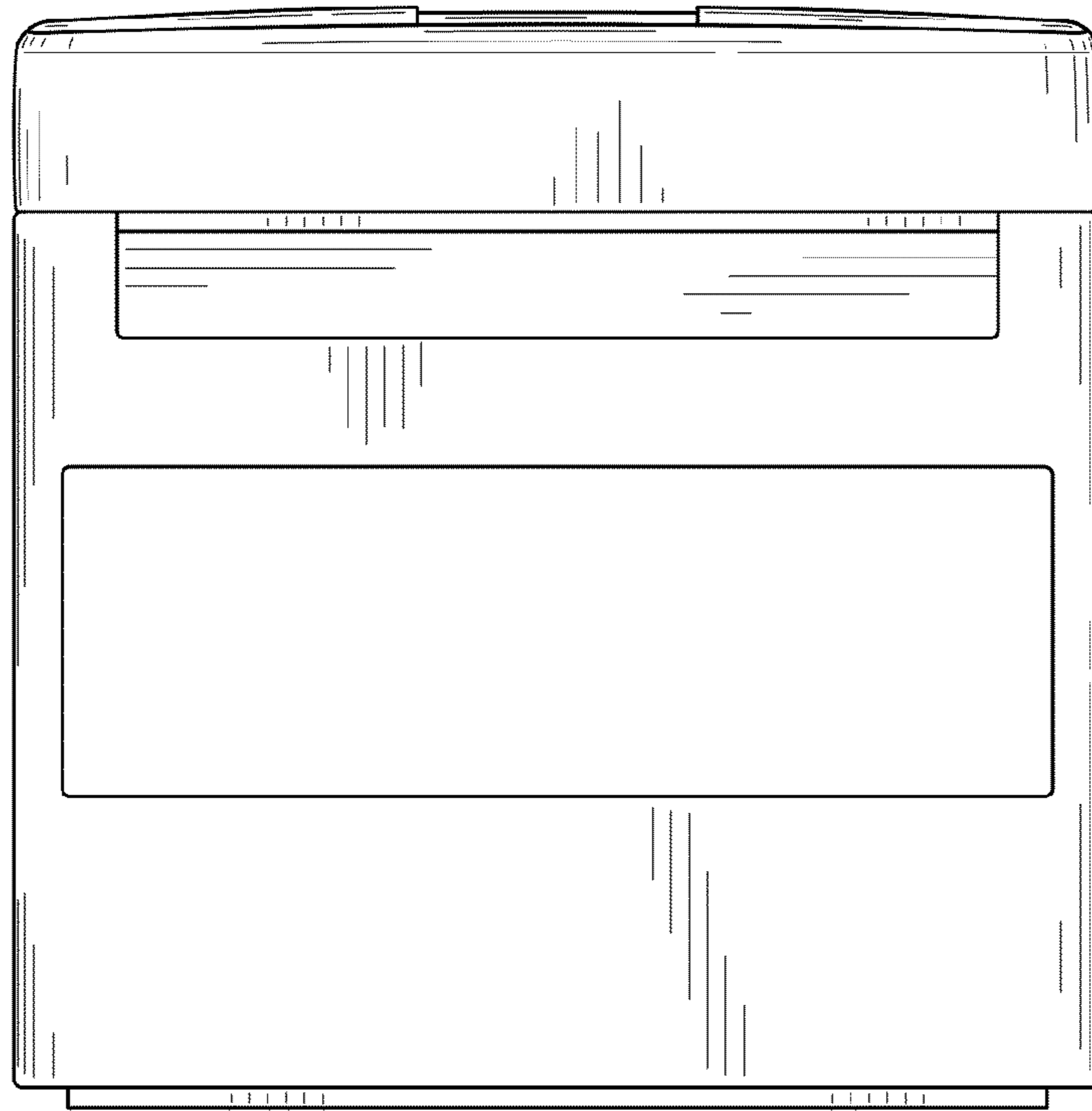


FIG. 3

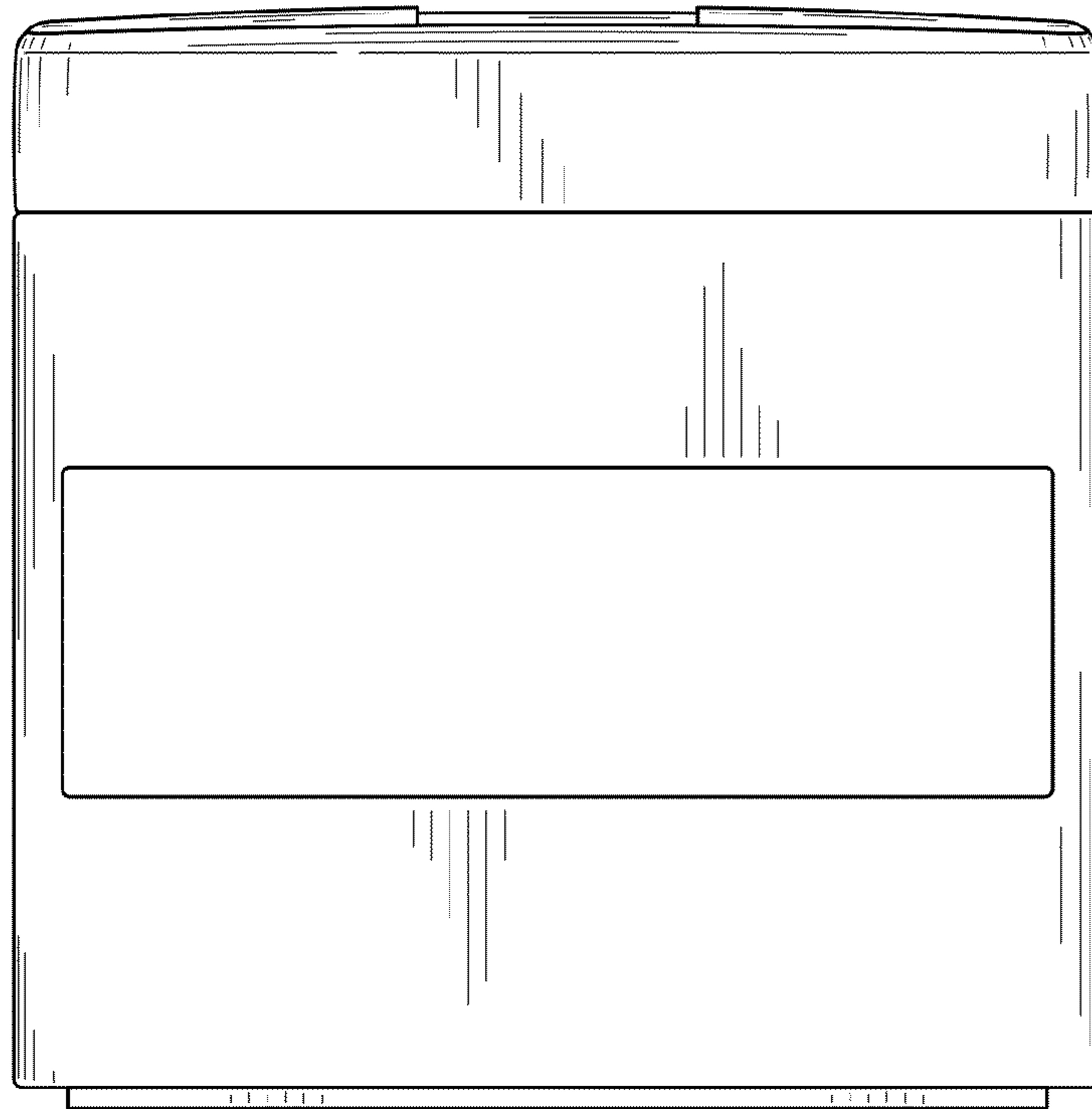


FIG. 4

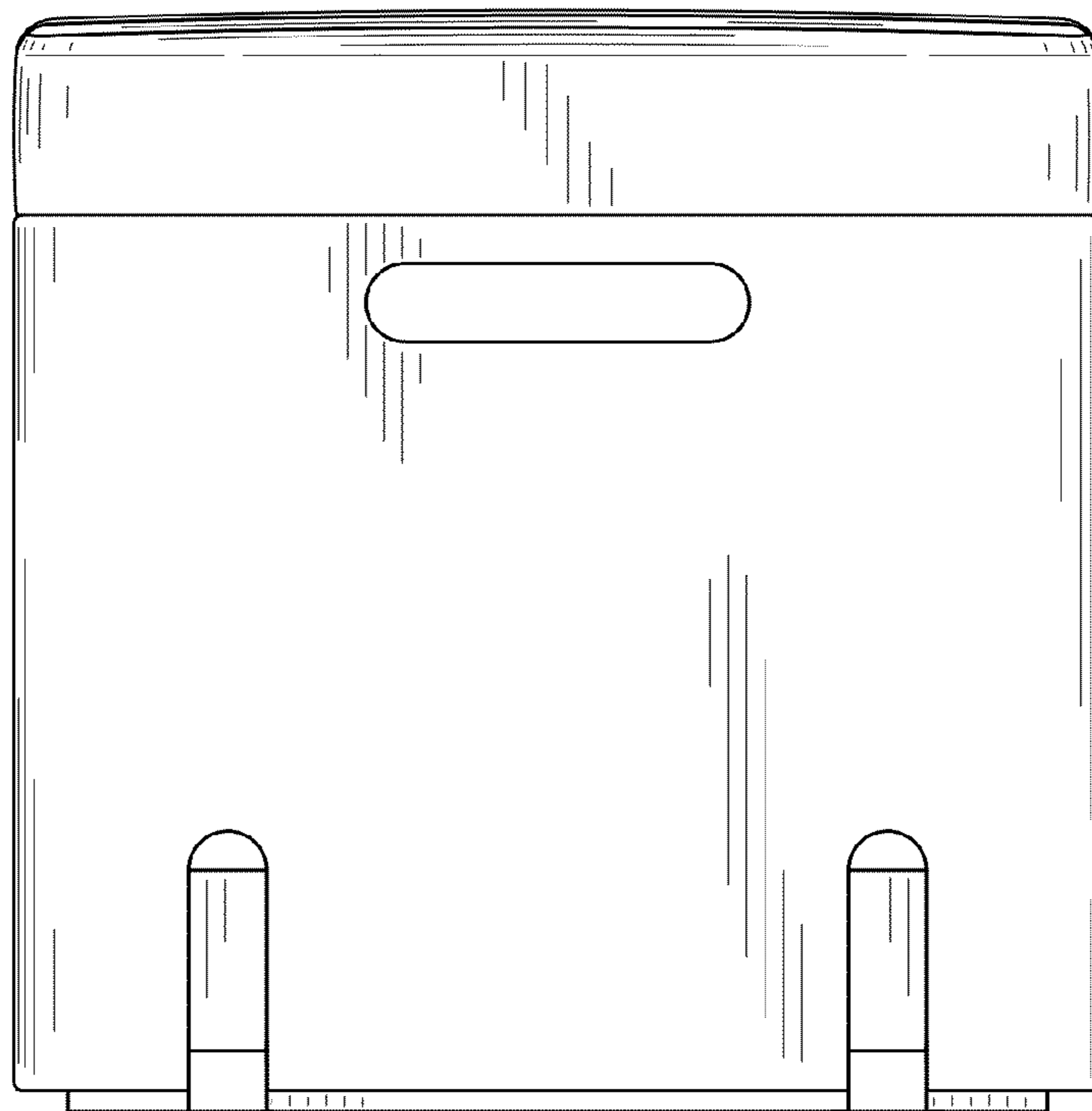


FIG. 5

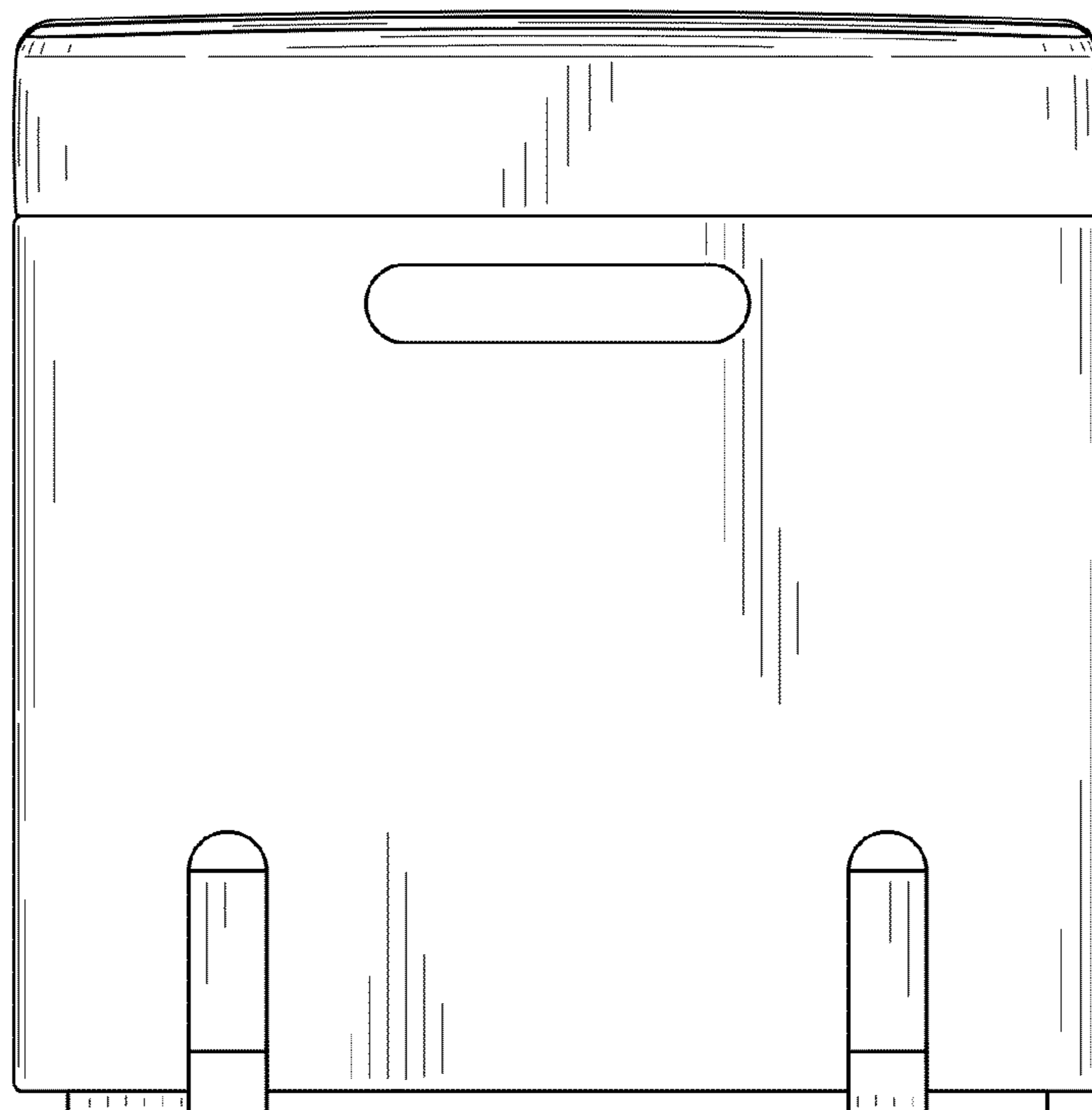


FIG. 6

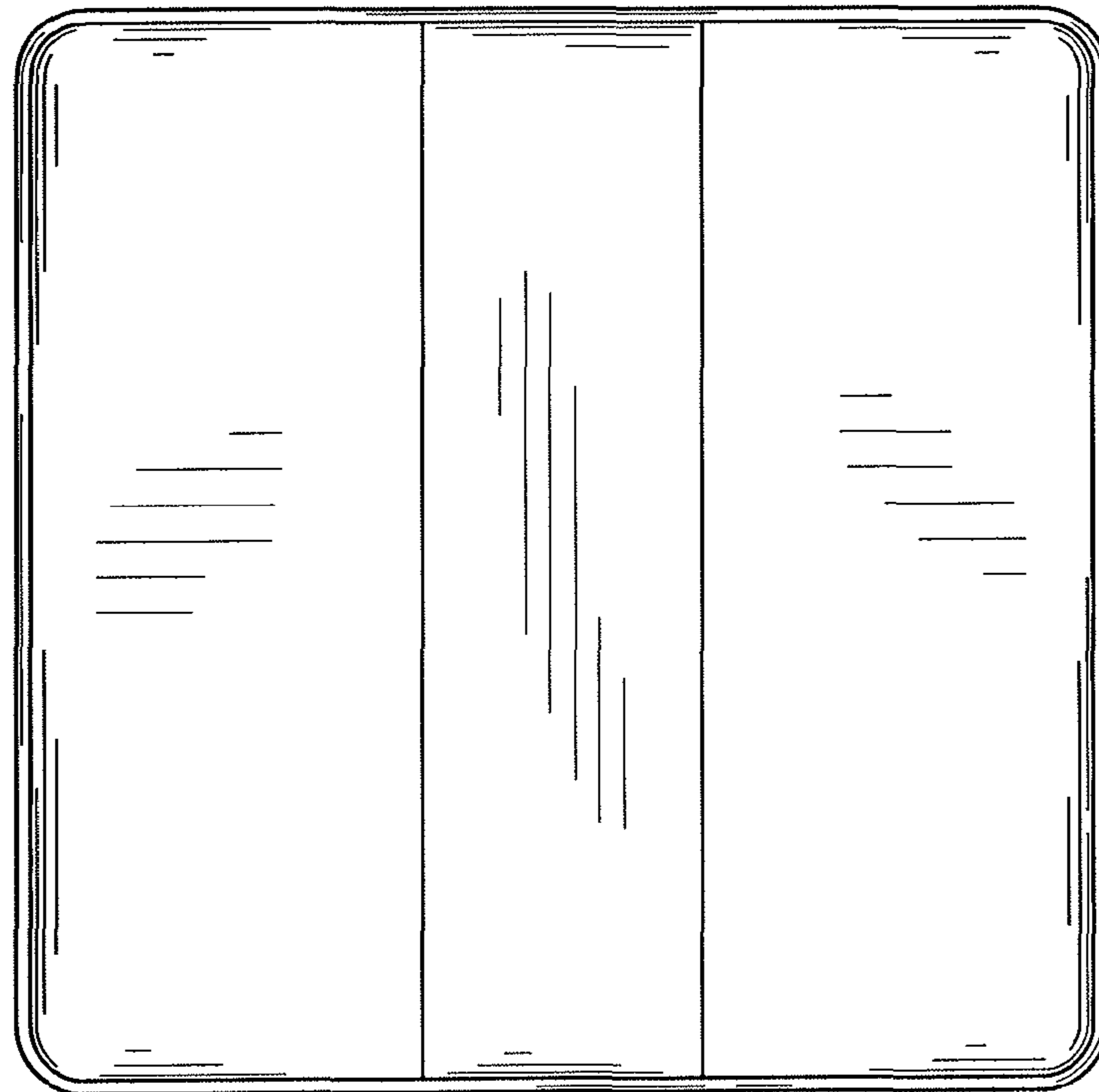


FIG. 7

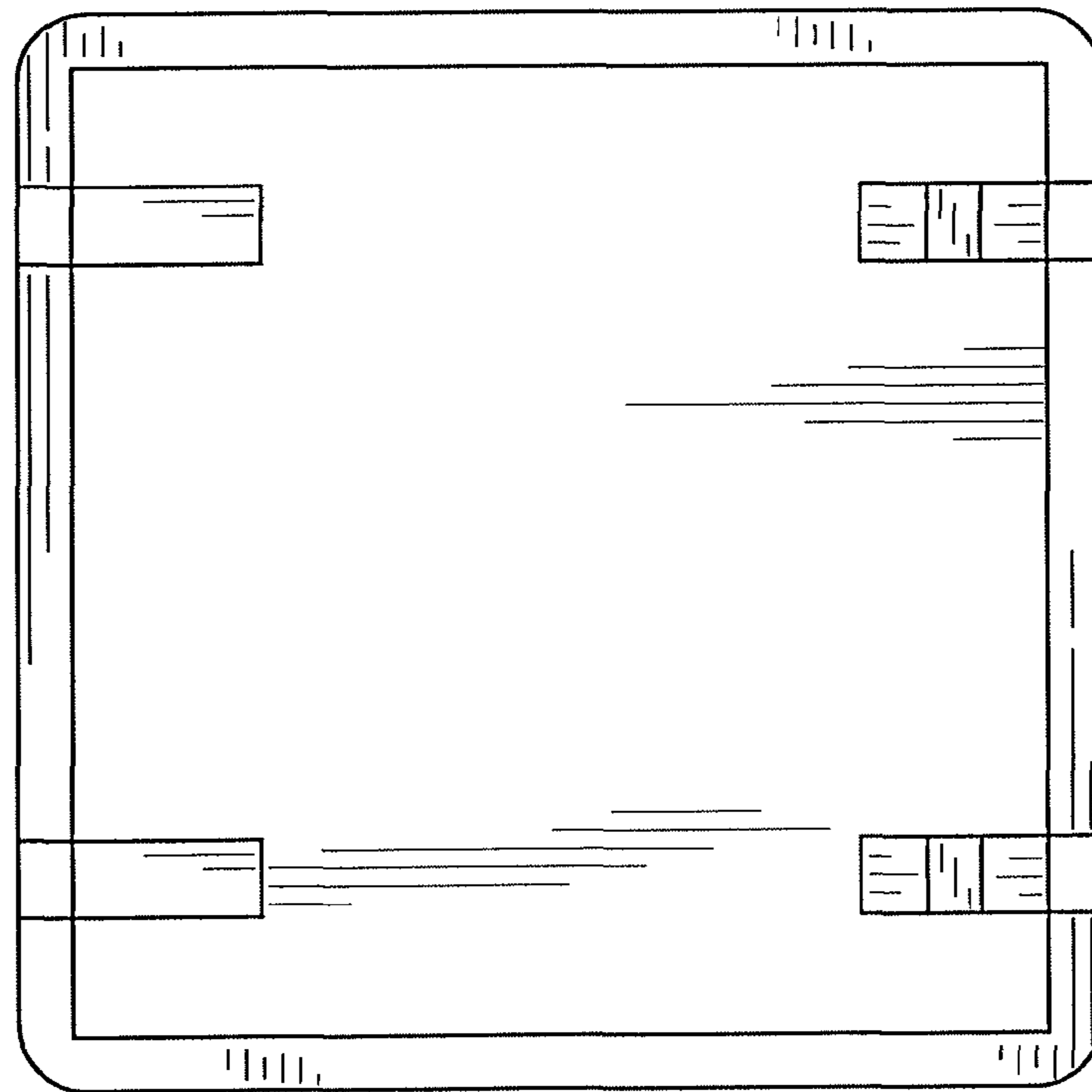


FIG. 8