



US00D736529S

(12) **United States Design Patent**
Cohen

(10) **Patent No.:** **US D736,529 S**

(45) **Date of Patent:** **** Aug. 18, 2015**

(54) **STOOL**

(71) Applicant: **Howard Cohen**, Indialantic, FL (US)

(72) Inventor: **Howard Cohen**, Indialantic, FL (US)

(**) Term: **14 Years**

(21) Appl. No.: **29/460,006**

(22) Filed: **Jul. 6, 2013**

(51) **LOC (10) Cl.** **06-01**

(52) **U.S. Cl.**

USPC **D6/349**; D6/370

(58) **Field of Classification Search**

USPC D6/330, 337, 341, 346, 349–355, 357,
D6/362, 364–373, 376, 377, 381, 645, 656,
D6/658, 665, 674, 675.5, 676, 682.4,
D6/685–692, 694, 694.2, 704, 705, 707,
D6/707.8, 707.19, 708, 716.1–716.6, 717,
D6/717.2; 297/423.12, 423.13, 423.37,
297/461, 462, 115, 116, 135, 160–162
CPC A47C 3/18–3/20; A47C 5/02; A47C 9/00;
A47C 11/00; A47C 13/00; A47C 9/06;
A47C 7/16

See application file for complete search history.

(56) **References Cited**

U.S. PATENT DOCUMENTS

D159,947 S	*	9/1950	Bell	D6/349
D396,358 S	*	7/1998	Geier	D6/349
D523,650 S	*	6/2006	Skalka	D6/349
D552,890 S	*	10/2007	Domack et al.	D6/480
D690,119 S	*	9/2013	Gelman	D6/349

OTHER PUBLICATIONS

36" Optiarea Teak Shower Bench with Shelf—From the Maluku Collection 379. [online] Retrieved on Mar. 9, 2014 from URL: <<http://www.aquateak.com/bath-and-shower-seating/36-teak-shower-benches/36-optiarea-teak-shower-bench-with-shelf-from-the-maluku-collection-379/>>.*

Sojourn Asia Furniture Contemporary Teak Asia Shower Bench Size: 35". [online] Retrieved on Sep. 12, 2013 from URL: <<http://www.amazon.com/Sojourn-Furniture-Contemporary-Shower-Bench/dp/images/B009MWQ7V8>>.*

Curved Seat Shower Bench, The Teak Shower Seat, www.theteakshowerseat.com, Date Downloaded Jun. 24, 2013.

* cited by examiner

Primary Examiner — Susan Bennett Hattan

Assistant Examiner — Vy Koenig

(74) *Attorney, Agent, or Firm* — Stephen C. Thomas

(57) **CLAIM**

The ornamental design for a stool, as shown and described.

DESCRIPTION

FIG. 1 depicts a perspective view of the stool of the invention.

FIG. 2 depicts a front view of the stool of the invention.

FIG. 3 depicts a perspective left side view of the stool of the invention.

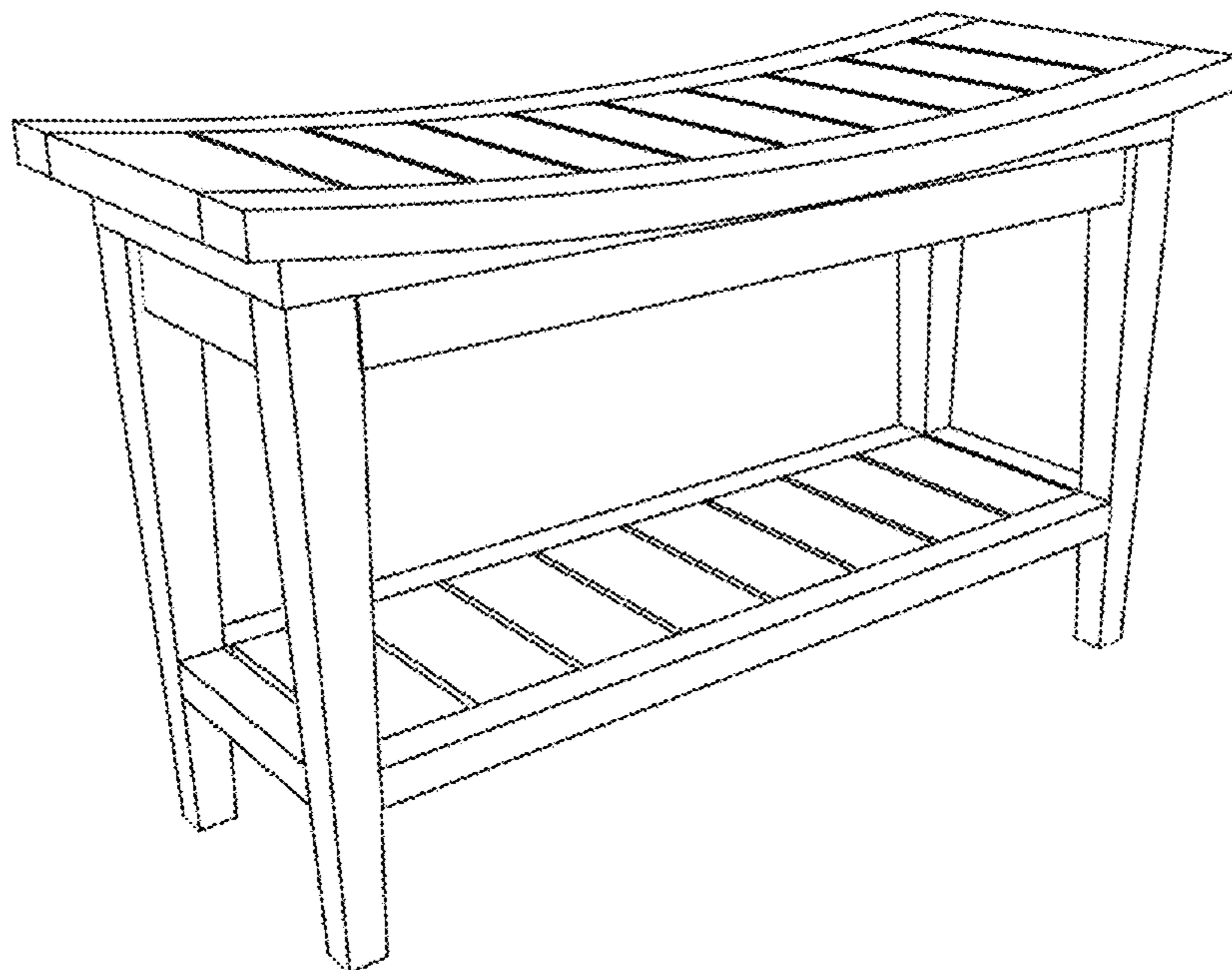
FIG. 4 depicts a perspective right side view of the stool of the invention.

FIG. 5 depicts a top view of the stool of the invention; and,

FIG. 6 depicts the bottom view of the stool of the invention.

The broken lines depicted in the drawings depict environmental features that form no part of the claimed design.

1 Claim, 6 Drawing Sheets



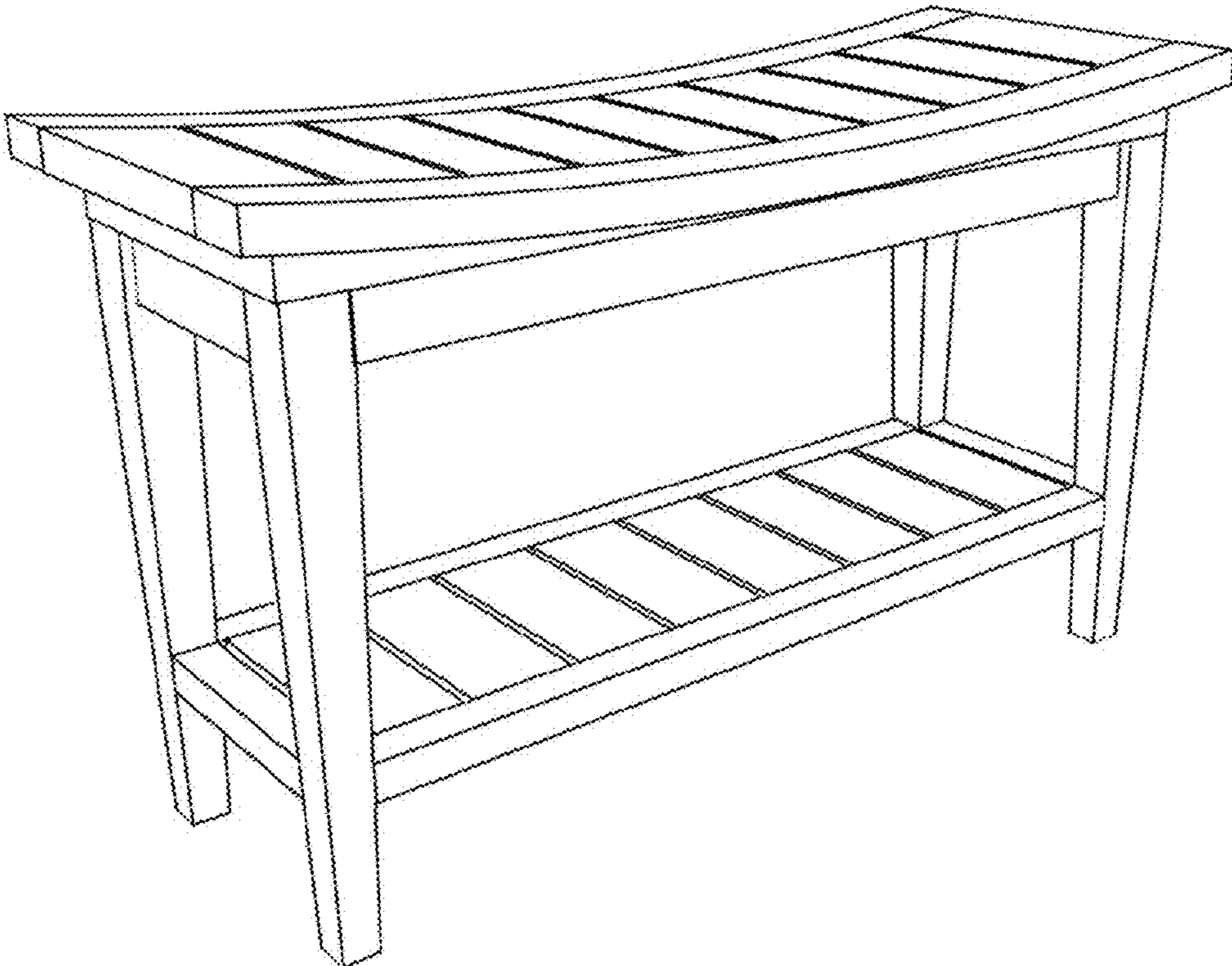


Fig. 1

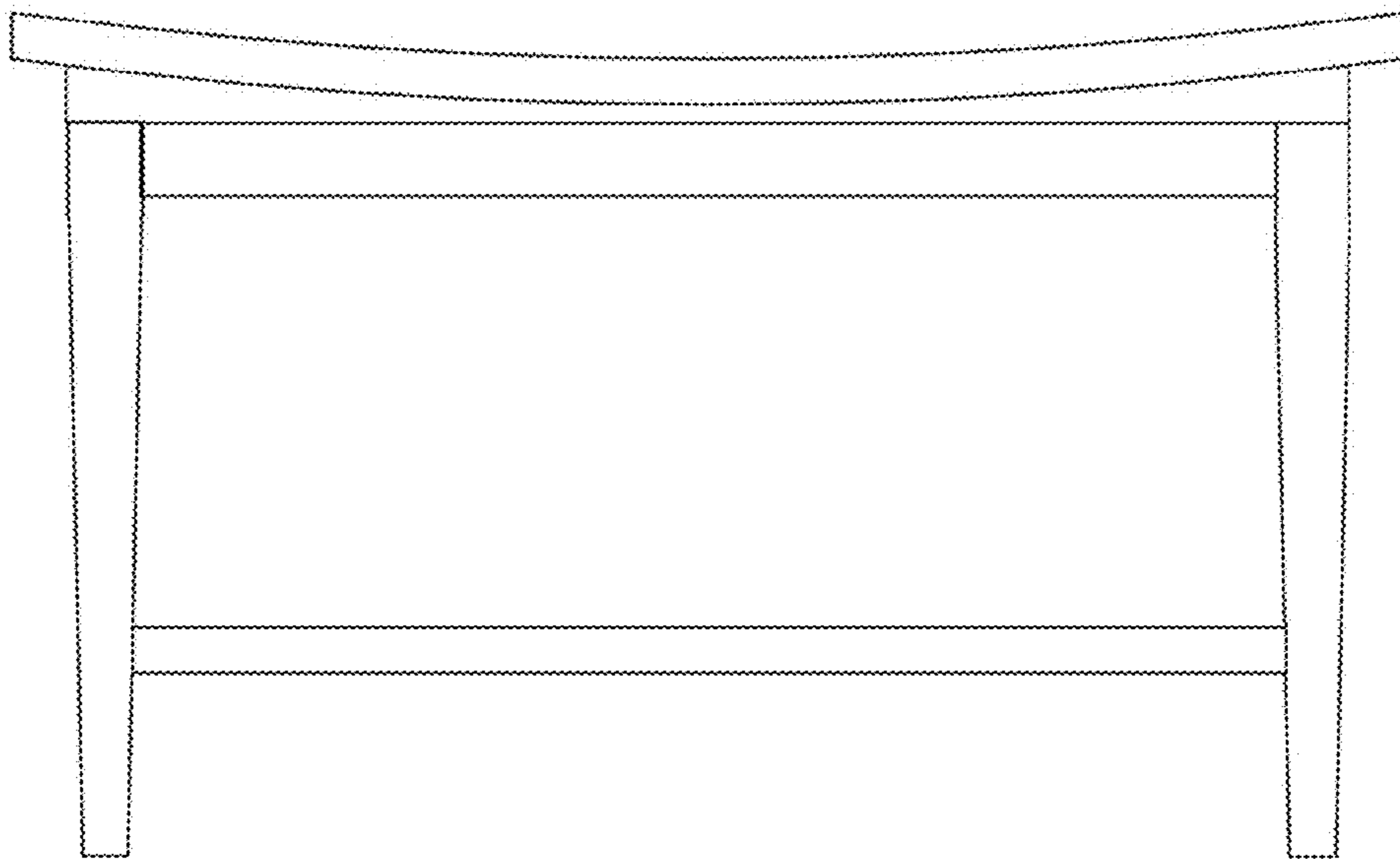


Fig. 2

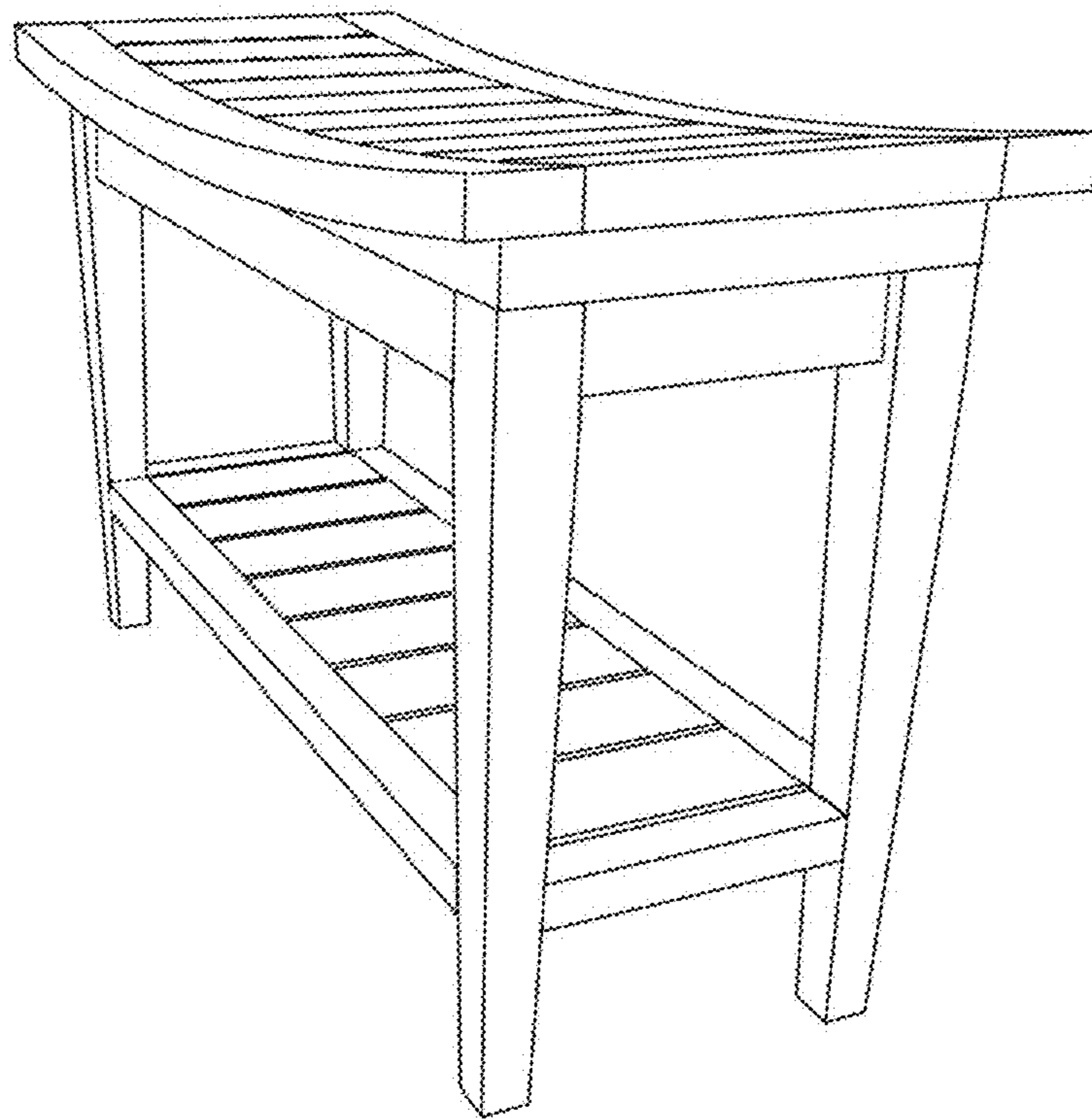


Fig. 3

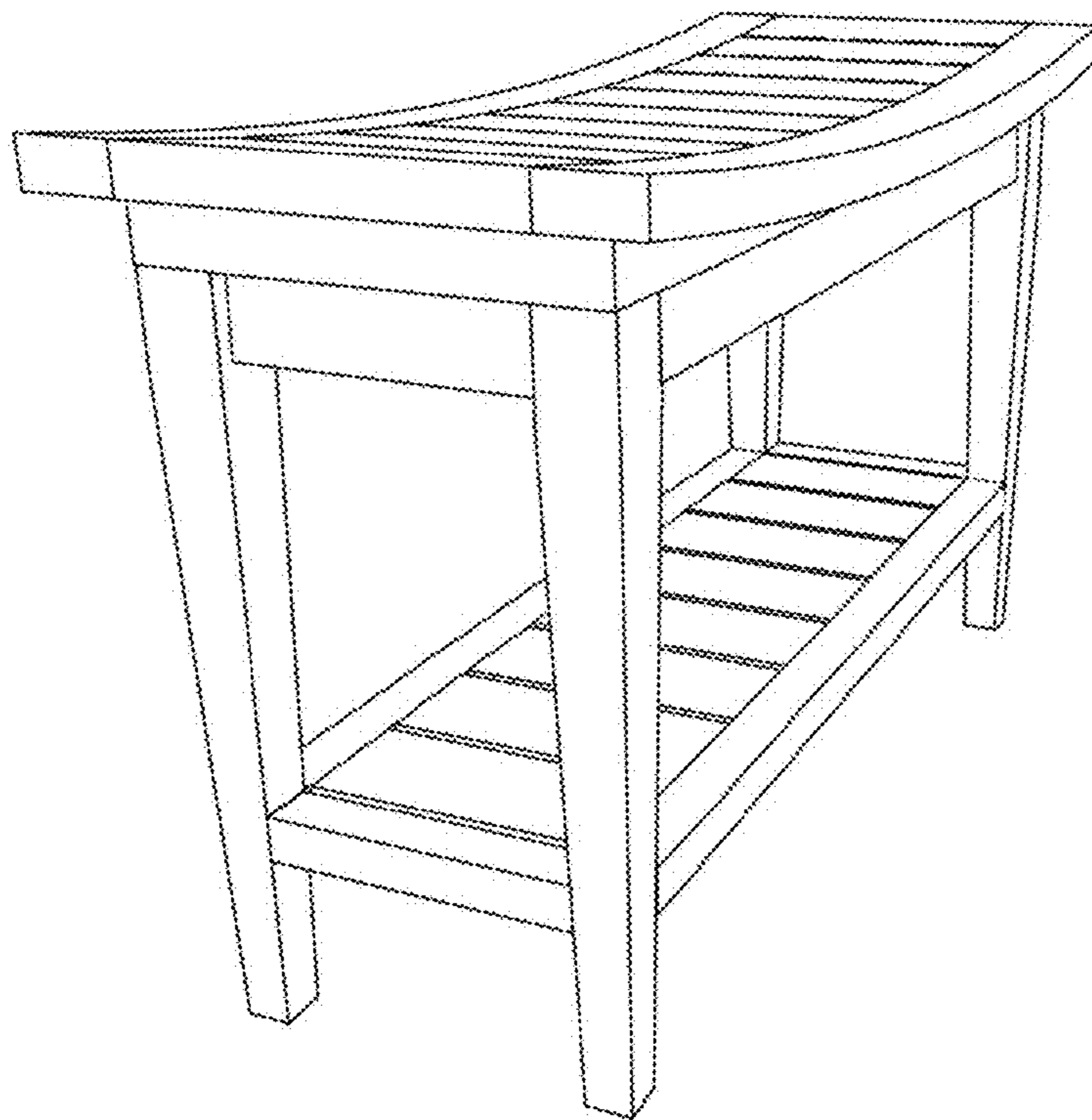


Fig. 4

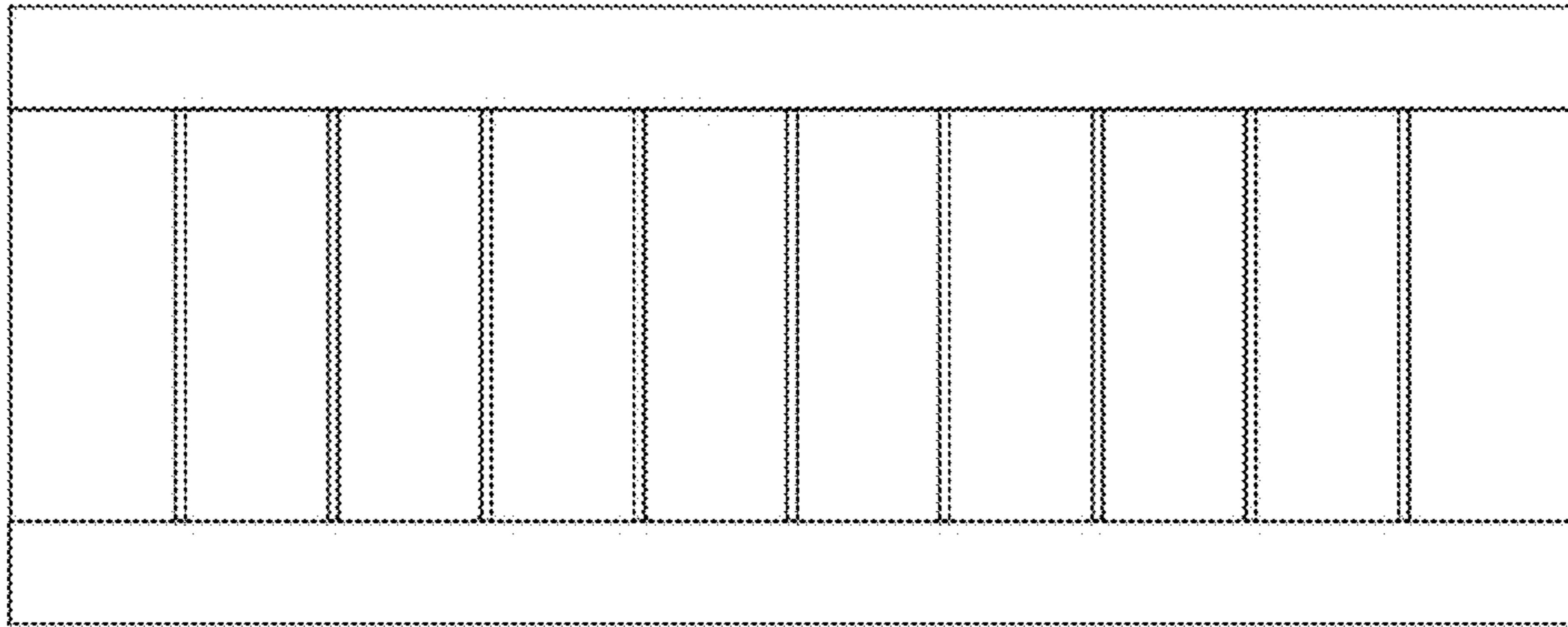


Fig. 5

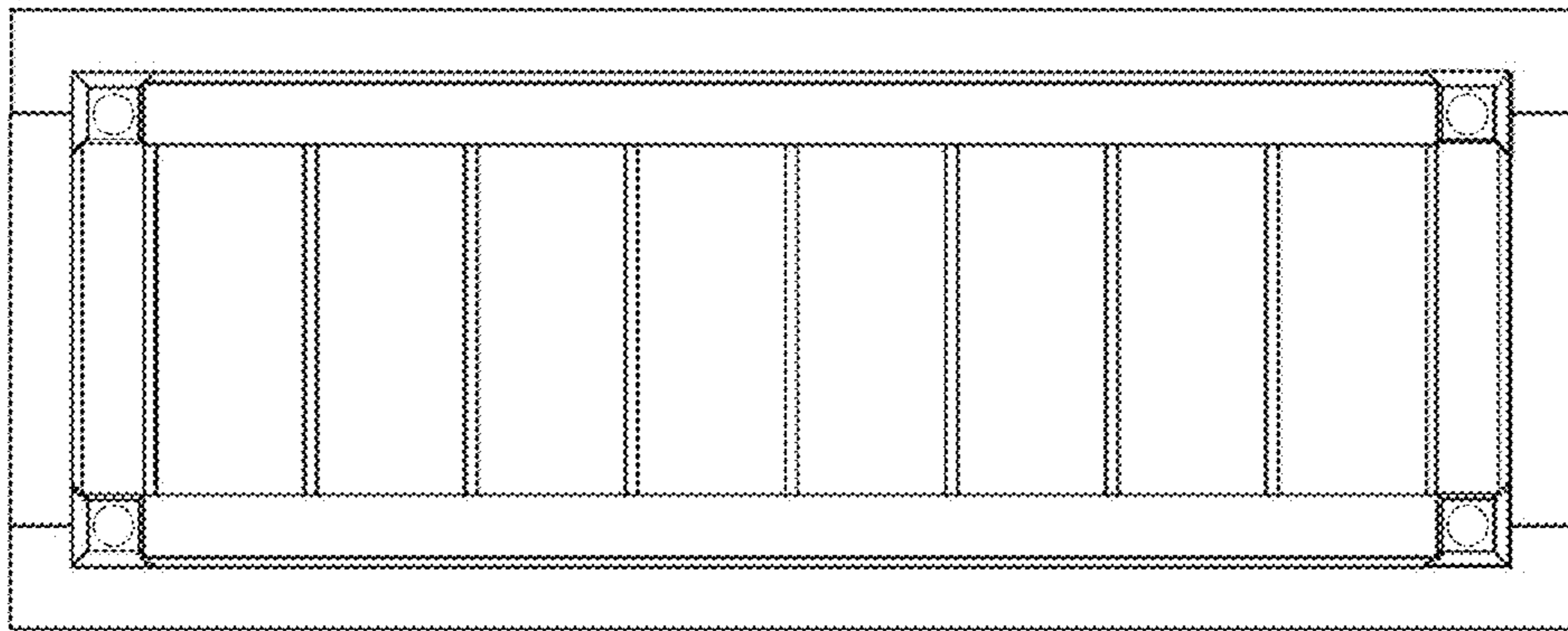


Fig. 6