



US00D736528S

(12) **United States Design Patent**
Lee

(10) **Patent No.:** **US D736,528 S**
(45) **Date of Patent:** **** Aug. 18, 2015**

(54) **ROCKING CHAIR FRAME**
(71) Applicant: **L. Kam Lee**, Houston, TX (US)
(72) Inventor: **L. Kam Lee**, Houston, TX (US)
(**) Term: **14 Years**

(21) Appl. No.: **29/495,512**

(22) Filed: **Jul. 1, 2014**

(51) **LOC (10) Cl.** **06-01**

(52) **U.S. Cl.**
USPC **D6/348**

(58) **Field of Classification Search**
USPC D6/334–336, 344, 348, 369, 370, 374,
D6/376, 379, 380, 716, 716.1, 716.2,
D6/716.3, 716.4; D21/412
CPC A47C 3/02; A47C 3/029; A47C 4/02;
A47C 5/00; A47C 7/16
See application file for complete search history.

(56) **References Cited**

U.S. PATENT DOCUMENTS

222,862 A * 12/1879 Brittan A47C 3/029
715,346 A * 12/1902 Brubaker A47C 3/029
3,873,154 A * 3/1975 Baker, Jr. A47C 5/00
D252,238 S * 7/1979 Van Sant D6/379
D438,023 S * 2/2001 Hartmann D6/348

D566,975 S * 4/2008 Lee D6/348
D580,197 S * 11/2008 Lee D6/716
D597,325 S * 8/2009 Lee D6/348
D679,105 S * 4/2013 Lee D6/348
D697,331 S * 1/2014 Lee D6/369
D698,563 S * 2/2014 Lee D6/369
D701,392 S * 3/2014 Lee D6/369

* cited by examiner

Primary Examiner — Mimoso De

(74) *Attorney, Agent, or Firm* — Egbert Law Offices, PLLC

(57) **CLAIM**

The ornamental design for a rocking chair frame, as shown and described.

DESCRIPTION

FIG. 1 is a perspective view of the rocking chair frame showing my new design.

FIG. 2 is a front view thereof;

FIG. 3 is a rear view thereof;

FIG. 4 is a side view thereof;

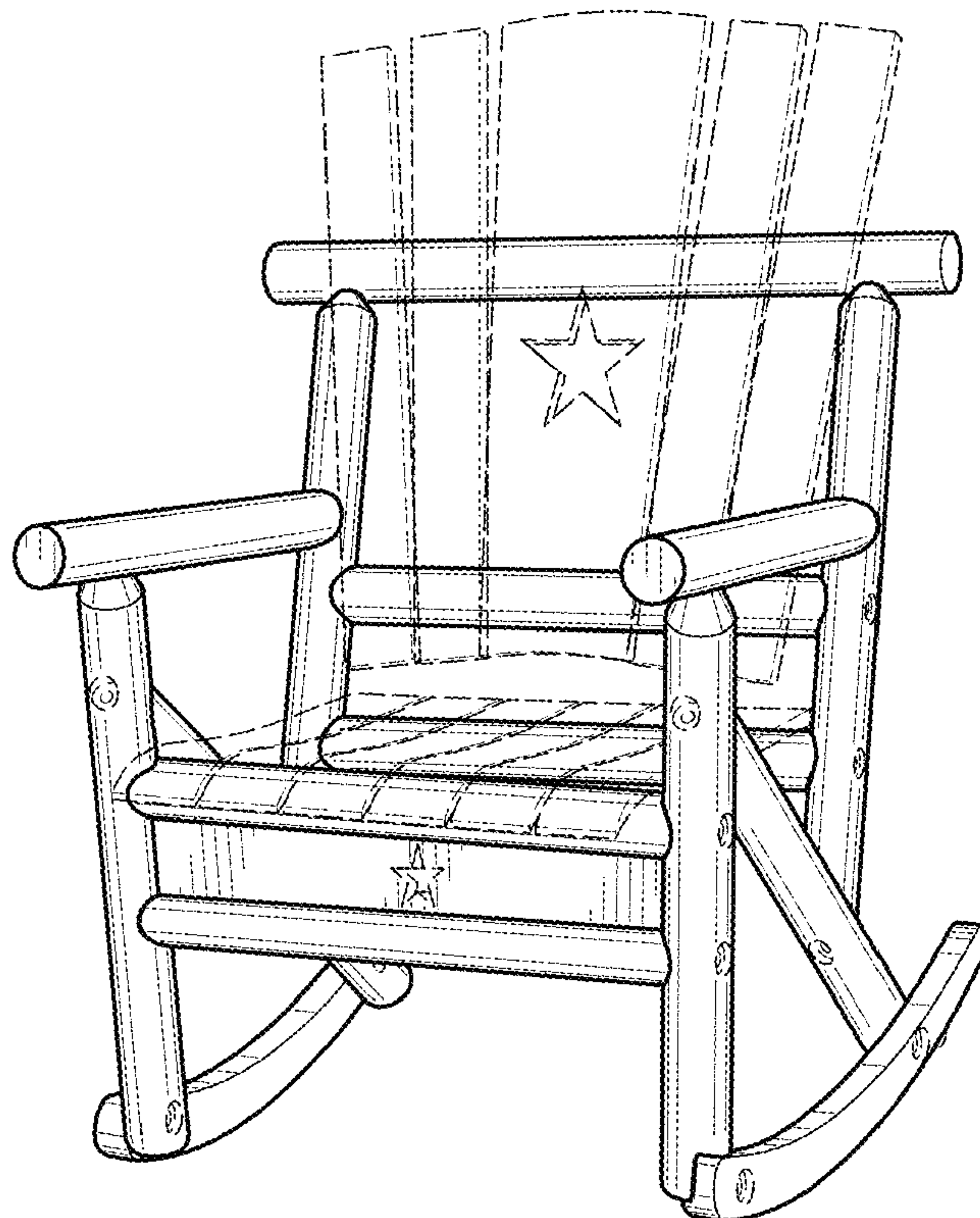
FIG. 5 is an opposite side view thereof;

FIG. 6 is a top view thereof; and,

FIG. 7 is a bottom view thereof.

The broken lines in the drawings represent unclaimed portions of the rocking chair frame and form no part of the claimed design.

1 Claim, 3 Drawing Sheets



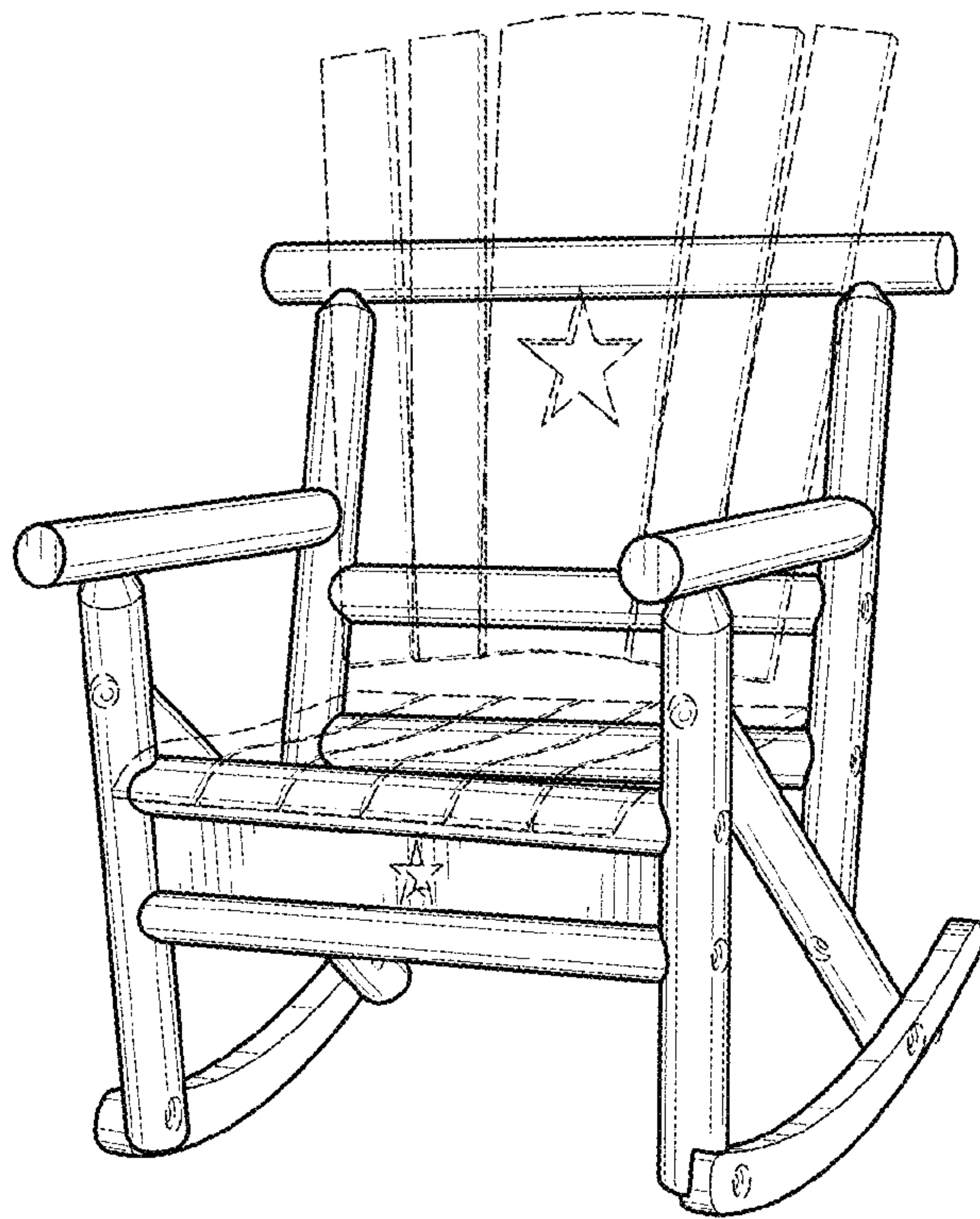


FIG. 1

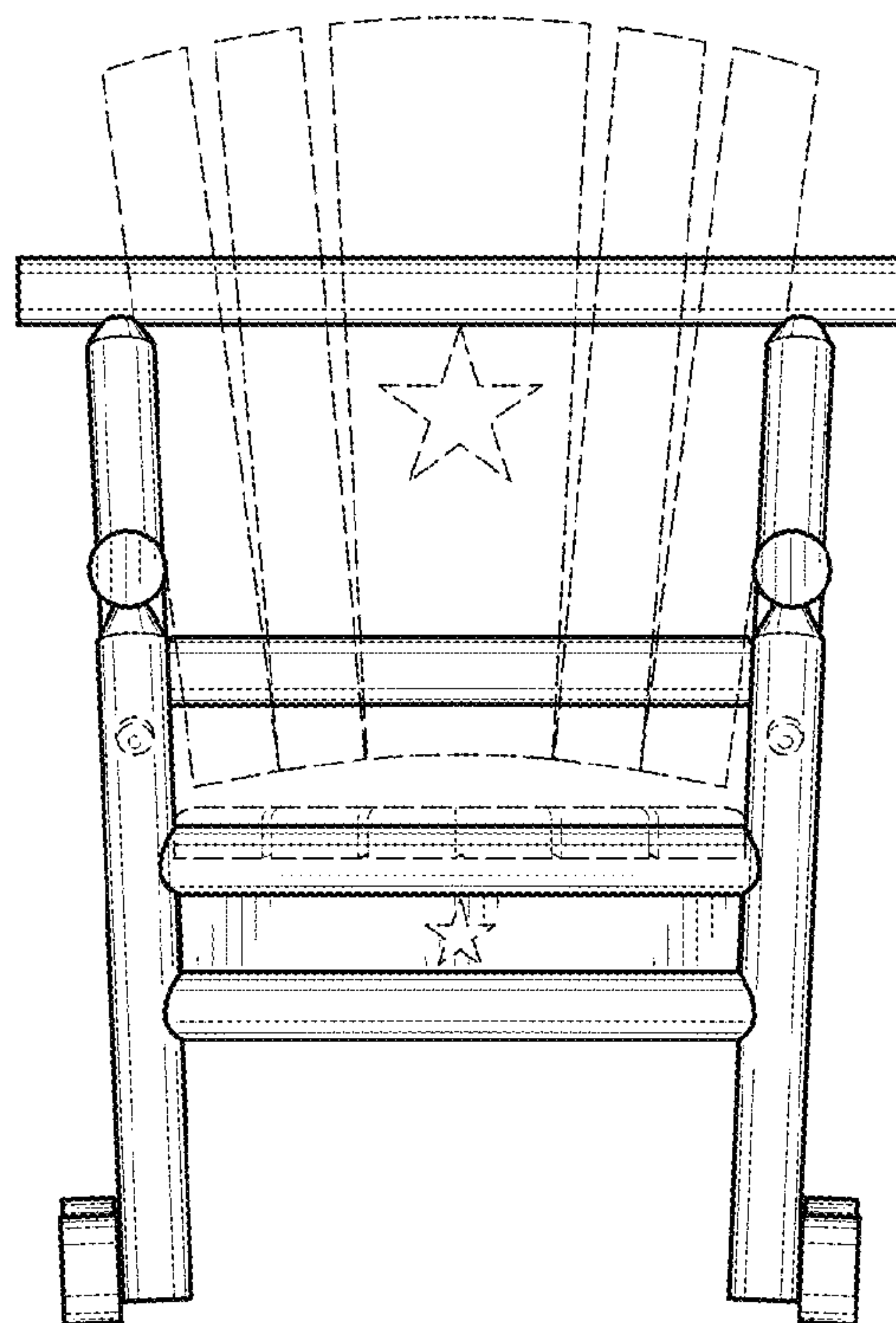


FIG. 2

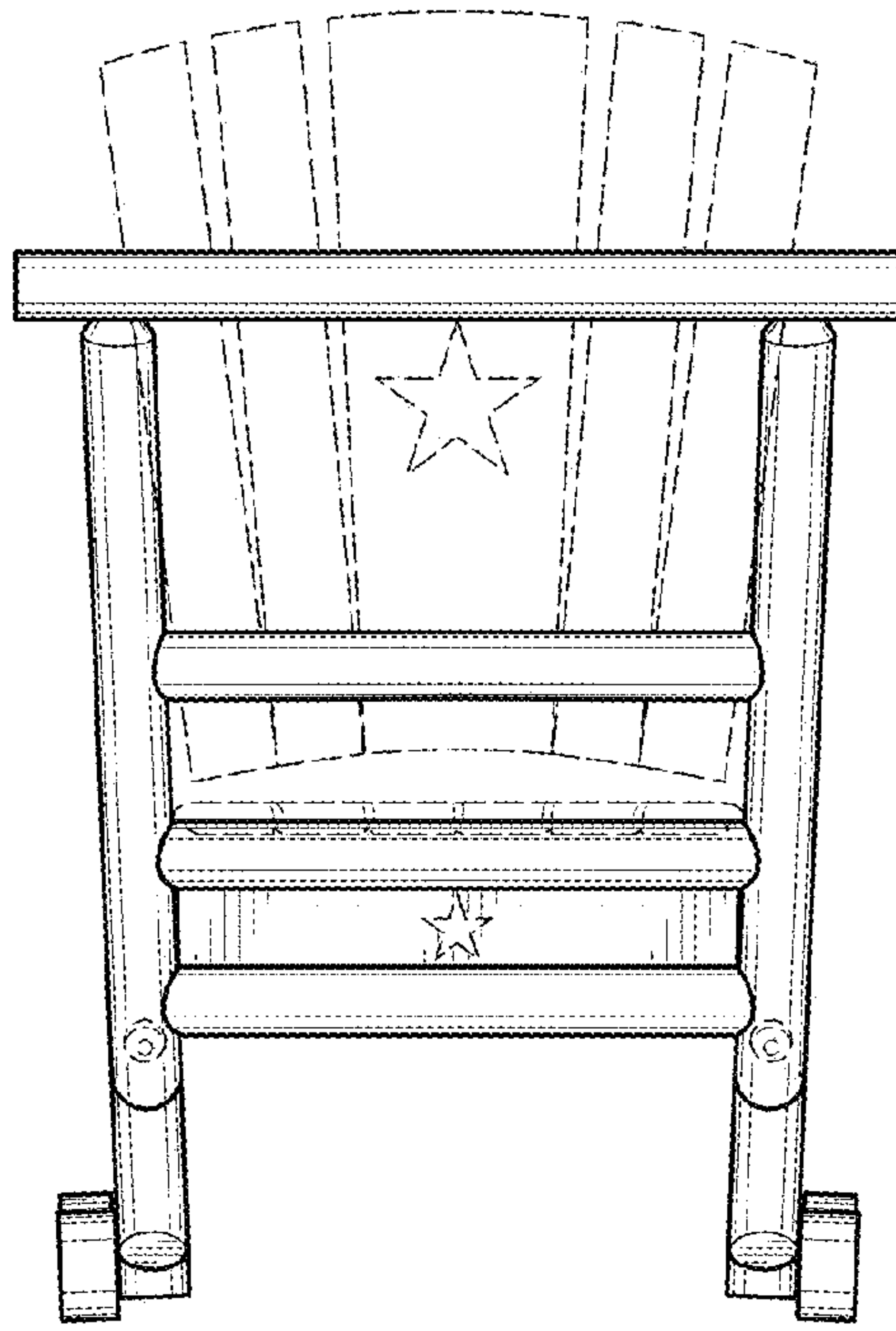


FIG. 3

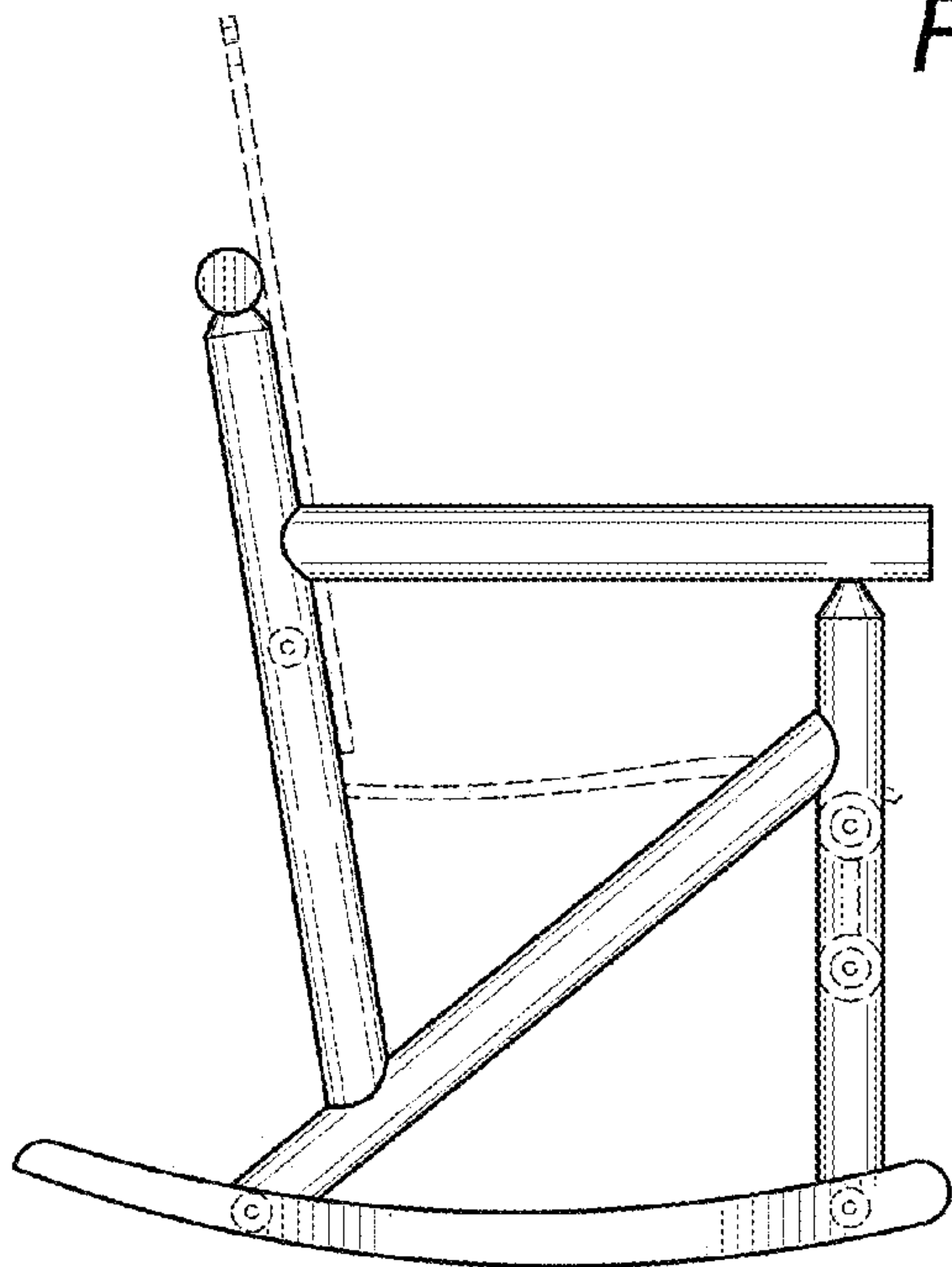


FIG. 4

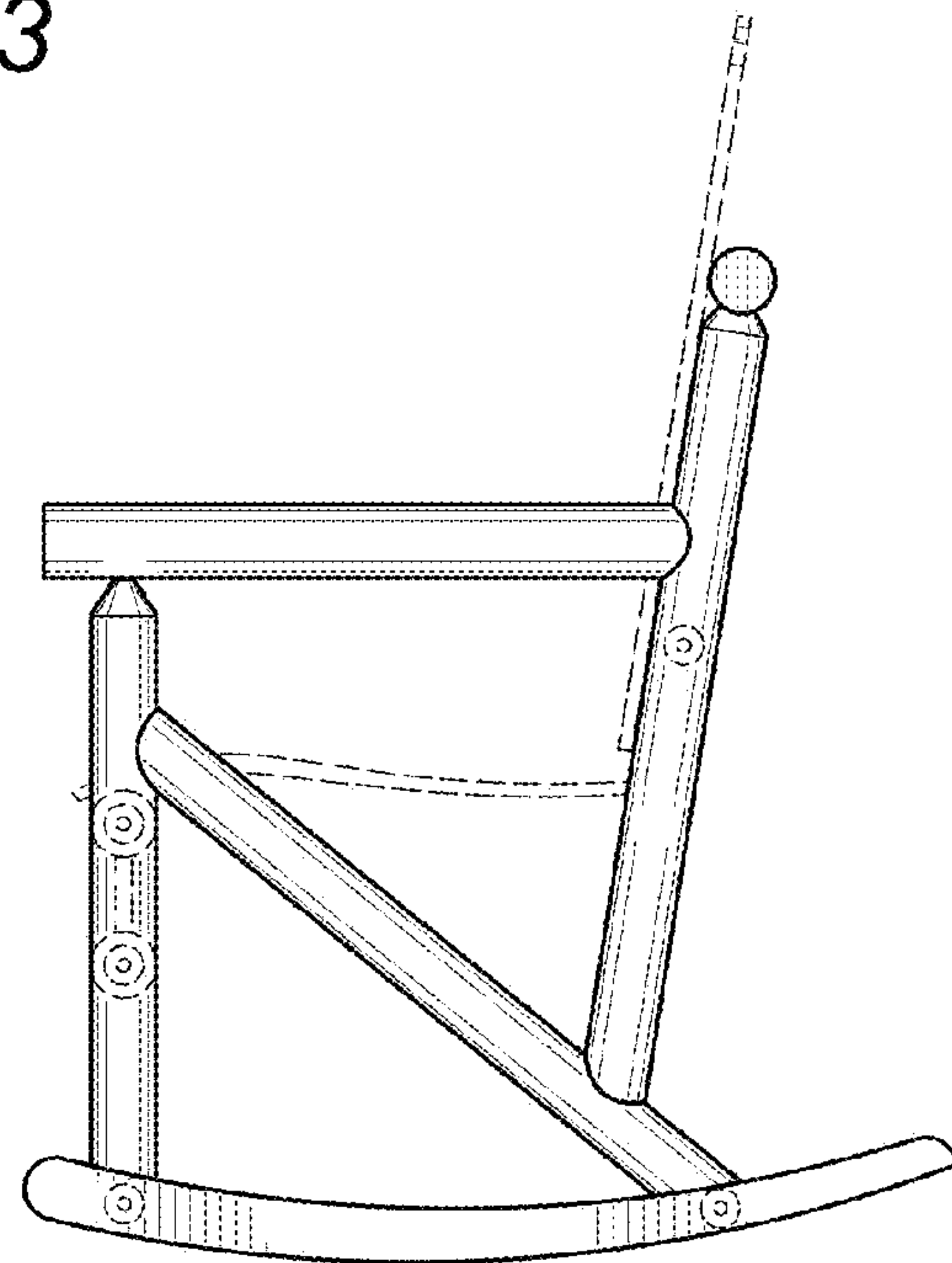


FIG. 5

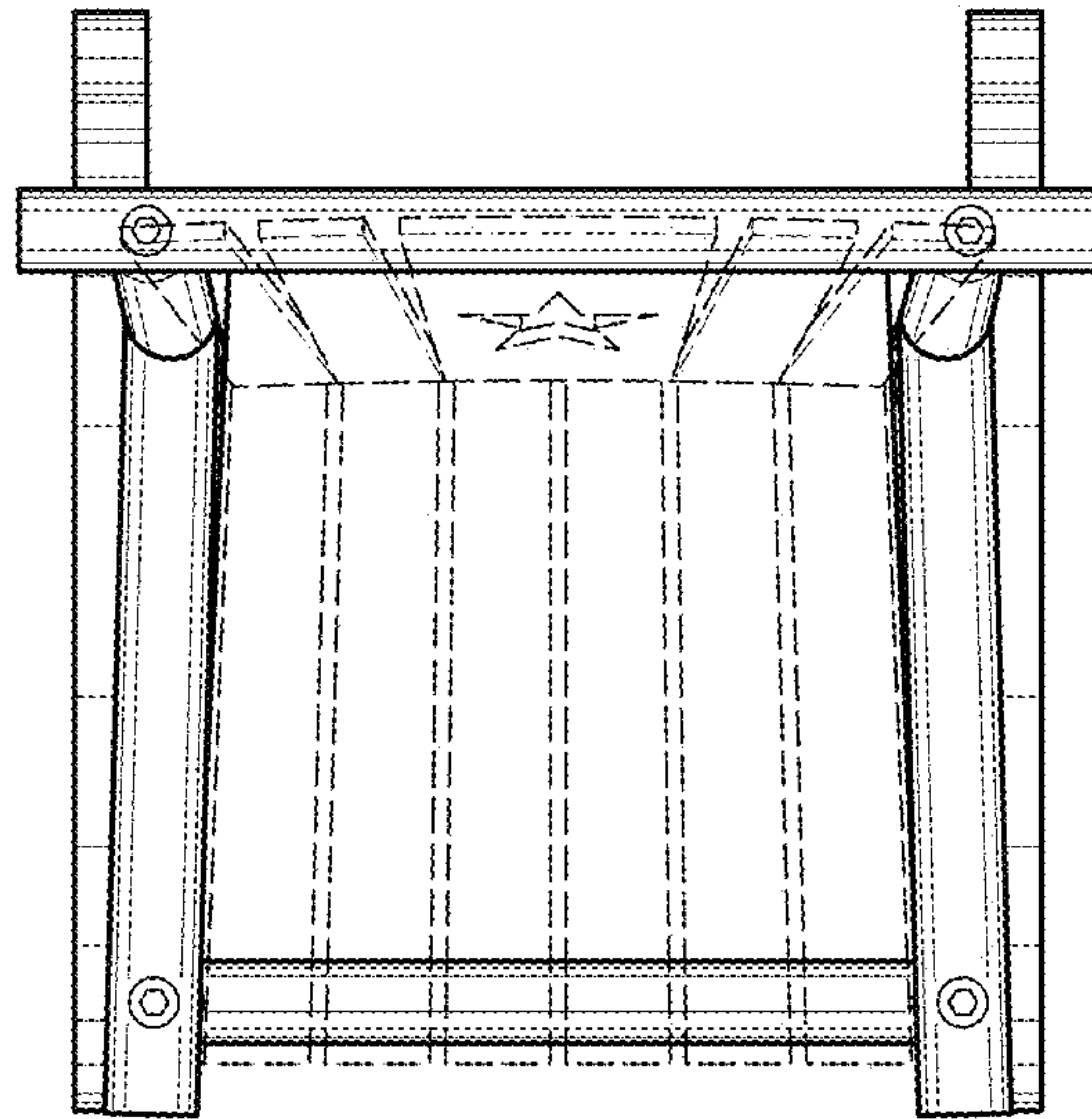


FIG. 6

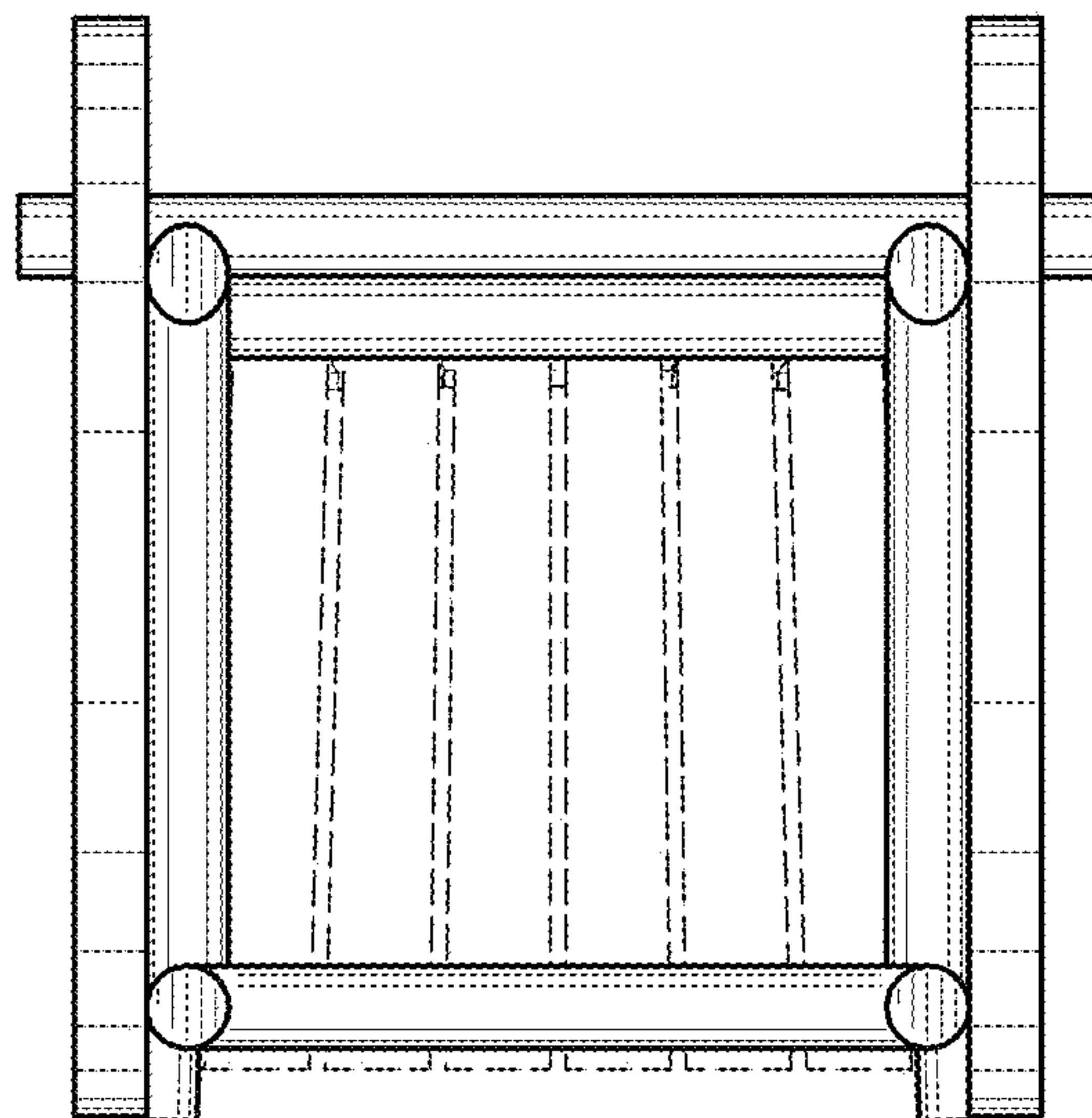


FIG. 7