



US00D736521S

(12) **United States Design Patent**  
**Tarter**

(10) **Patent No.:** **US D736,521 S**

(45) **Date of Patent:** **\*\* Aug. 18, 2015**

(54) **SHOPPING CART BAG**

(71) Applicant: **Doris A. Tarter**, Aliso Viejo, CA (US)

(72) Inventor: **Doris A. Tarter**, Aliso Viejo, CA (US)

(\*\*) Term: **14 Years**

(21) Appl. No.: **29/479,890**

(22) Filed: **Jan. 21, 2014**

(51) **LOC (10) Cl.** ..... **03-01**

(52) **U.S. Cl.**  
USPC ..... **D3/310**

(58) **Field of Classification Search**  
USPC ..... D3/267, 279, 283, 303-311, 318;  
D6/409; D7/607; D34/16-17, 21,  
D34/23-25; 206/373; 280/35, 47.26  
CPC ..... B65D 27/00; B65D 33/00  
See application file for complete search history.

(56) **References Cited**

**U.S. PATENT DOCUMENTS**

4,765,644 A \* 8/1988 Bell ..... 280/641  
D321,071 S \* 10/1991 Dickinson ..... D34/17  
D525,758 S \* 7/2006 Lynch ..... D34/12

D672,932 S \* 12/2012 Fredendall et al. .... D34/27  
D672,933 S \* 12/2012 Fredendall et al. .... D34/27  
D681,900 S \* 5/2013 Fredendall et al. .... D34/27

\* cited by examiner

*Primary Examiner* — Kelley Donnelly

(74) *Attorney, Agent, or Firm* — Katherine M. Bond, Esq.;  
Leech Tishman Fuscaldo & Lampl

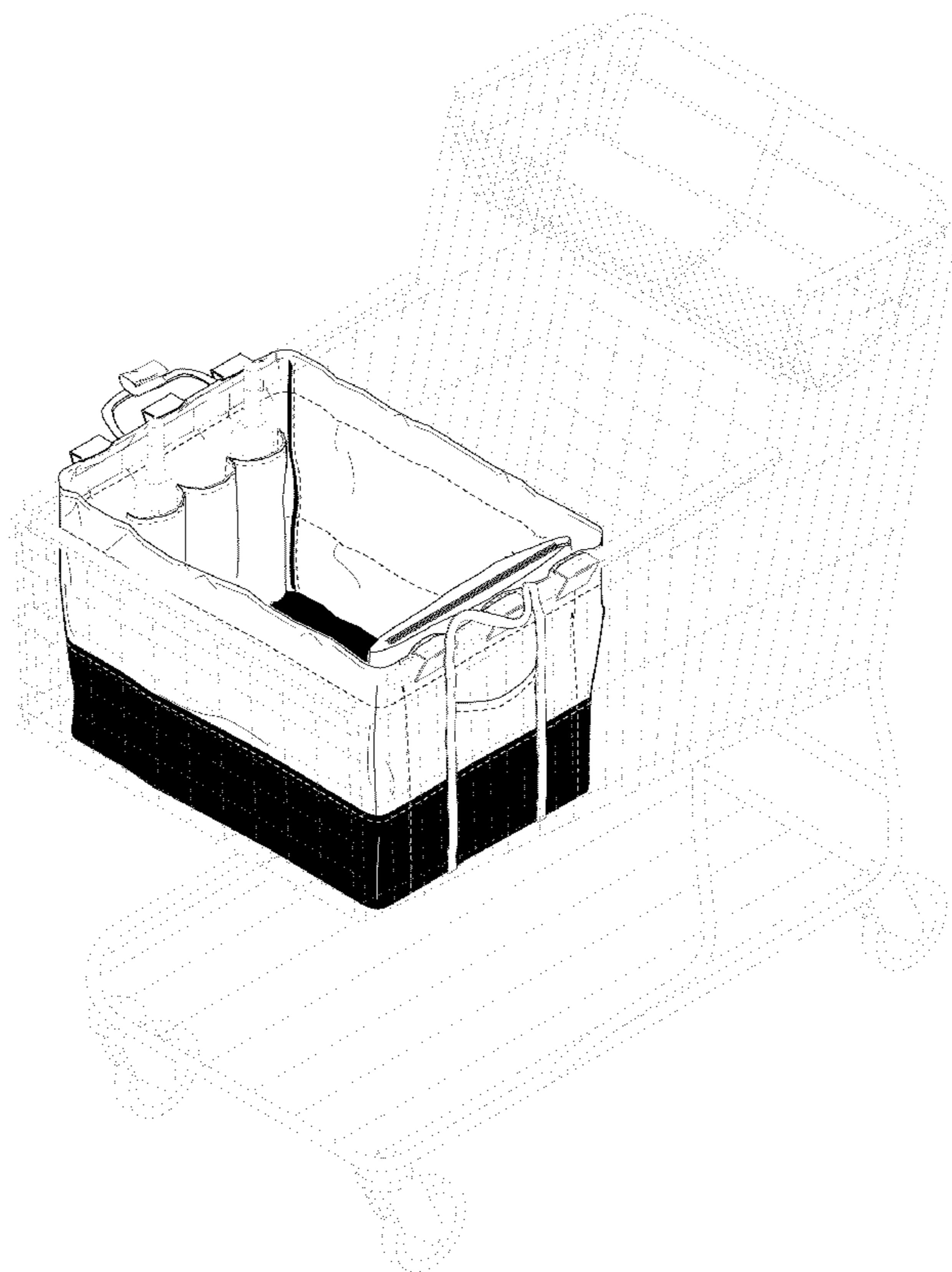
(57) **CLAIM**

The ornamental design for a shopping cart bag, as shown and described.

**DESCRIPTION**

FIG. 1 is a perspective view of a shopping cart bag, showing my new design in use condition;  
FIG. 2 is a top plan view of the shopping cart bag;  
FIG. 3 is a front elevation view of the shopping cart bag;  
FIG. 4 is a side view of the shopping cart bag;  
FIG. 5 is a perspective view of the shopping cart bag;  
FIG. 6 is an expanded view of the top of the shopping cart bag;  
FIG. 7 is a perspective view of the shopping cart bag folded up; and,  
FIG. 8 is a perspective view of the shopping cart bag rolled up.  
The shopping cart shown in broken lines in FIG. 1 illustrates the shopping cart while in use and forms no part of the claimed design.

**1 Claim, 4 Drawing Sheets**



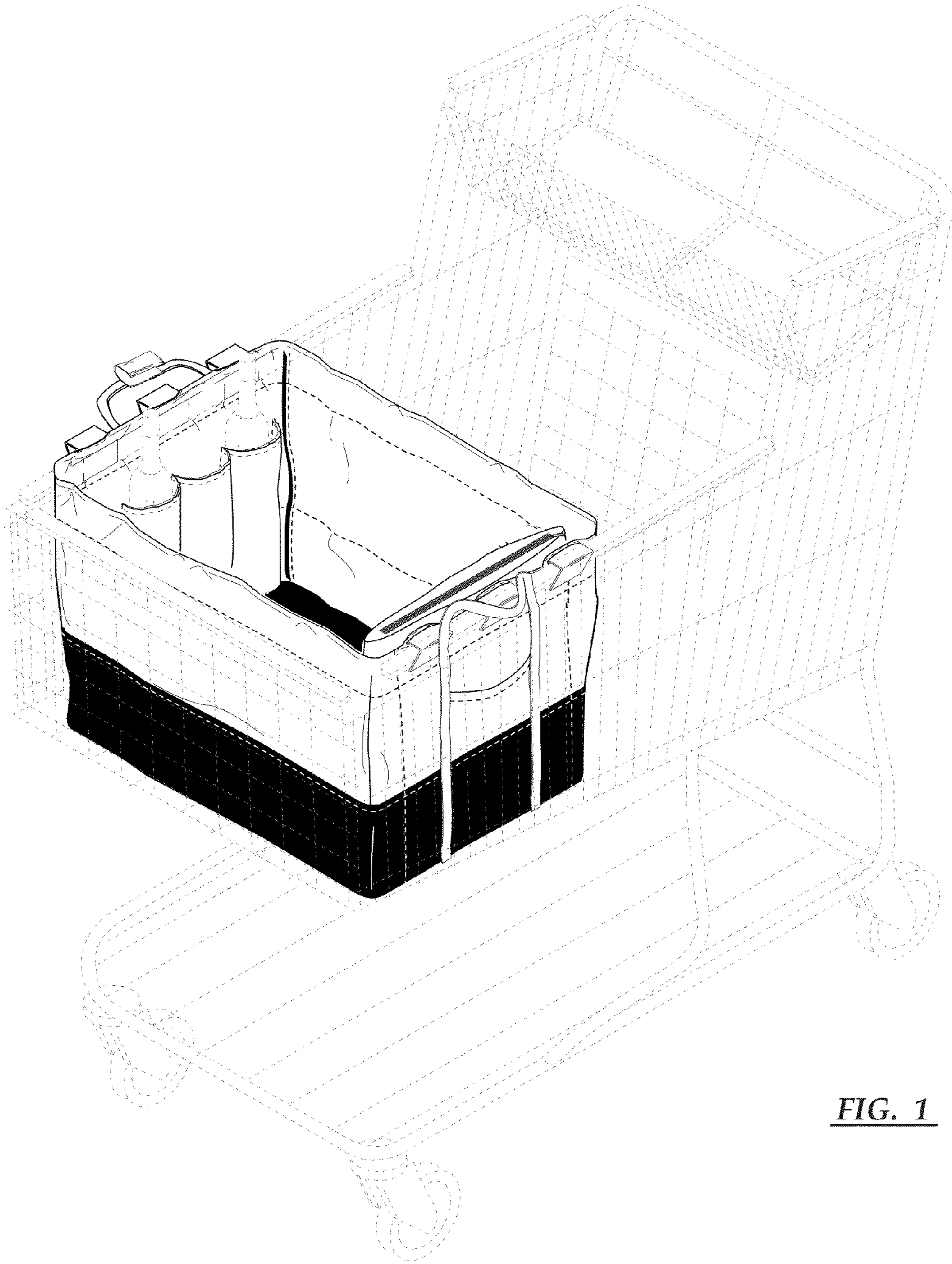


FIG. 1

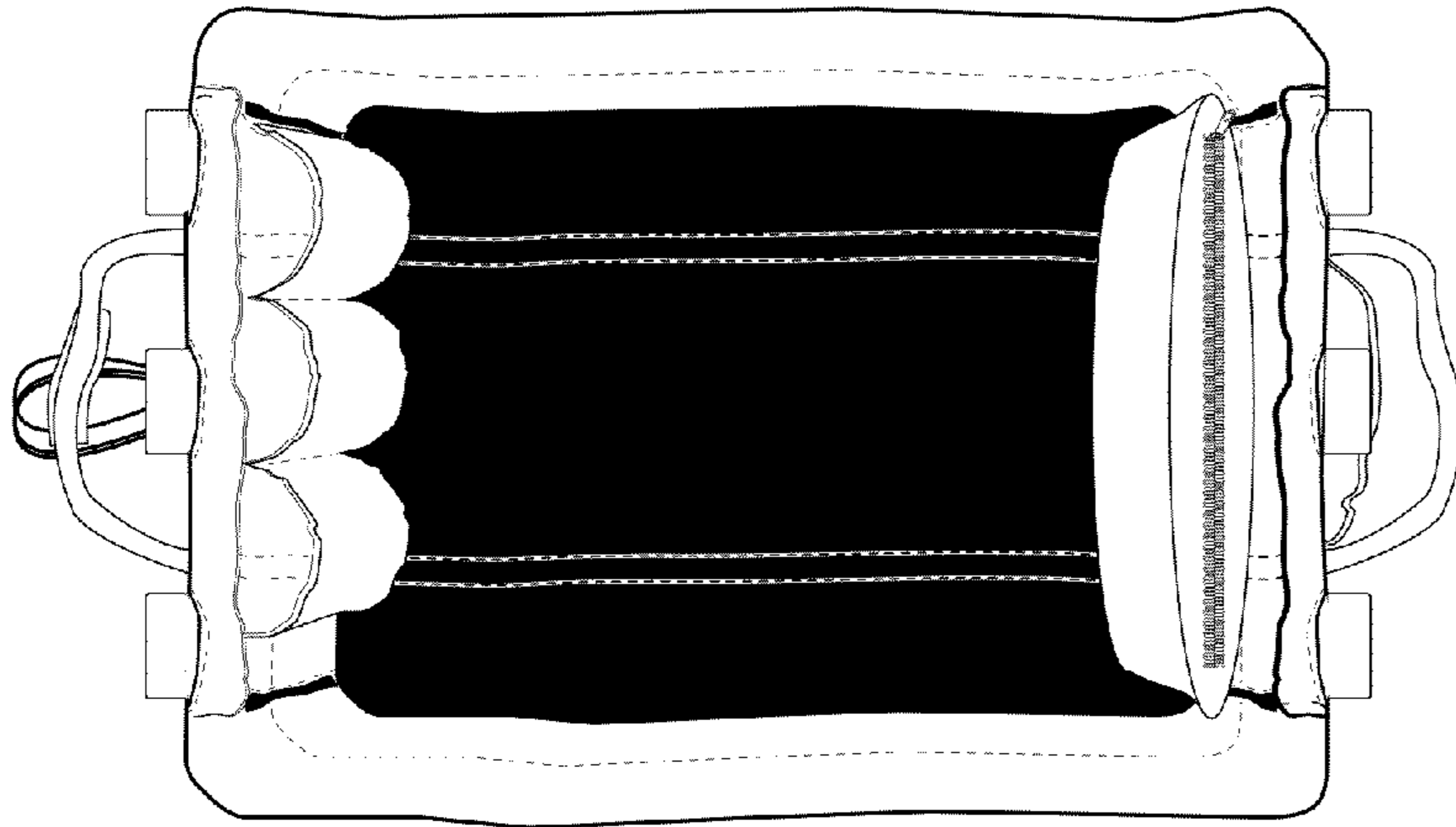


FIG. 2

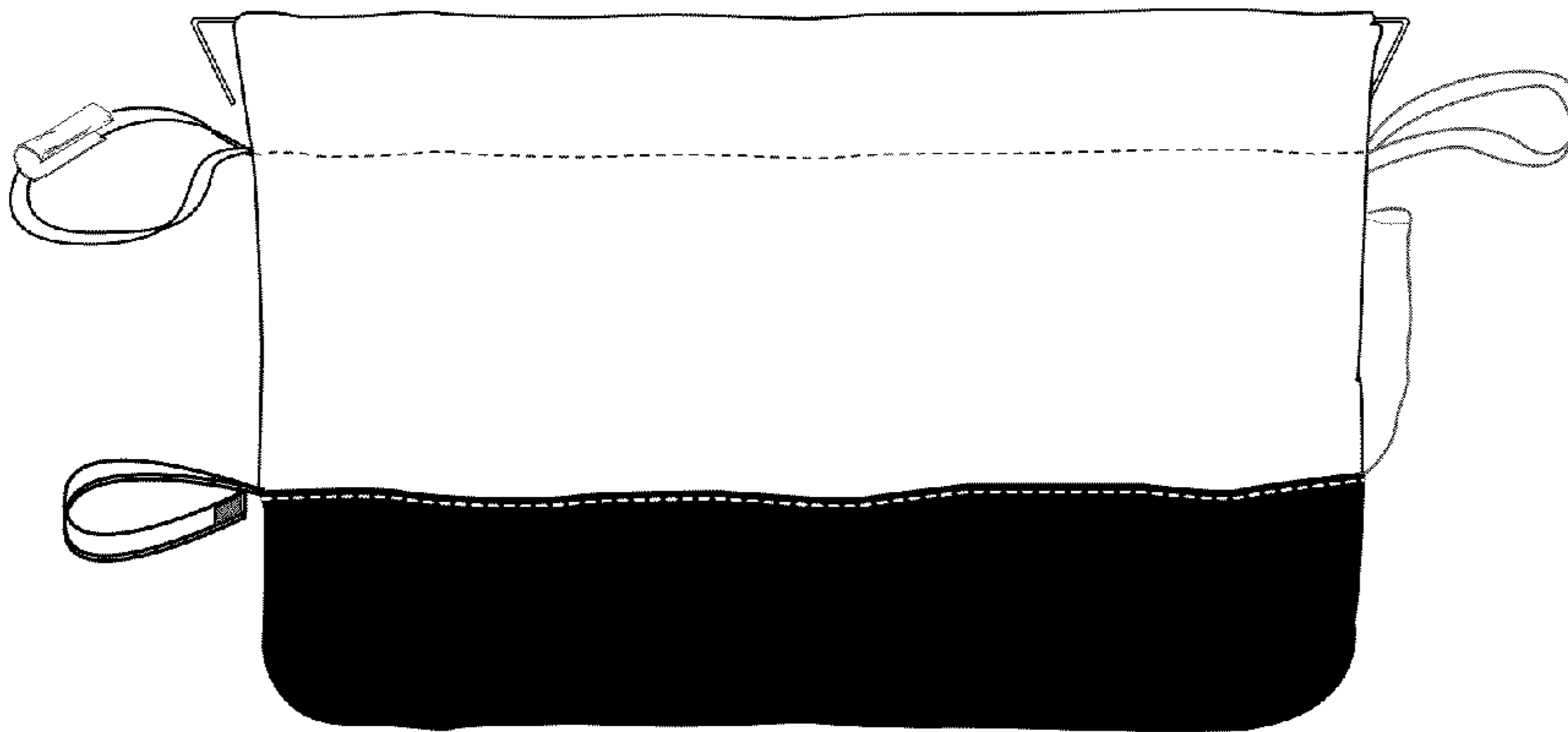


FIG. 3

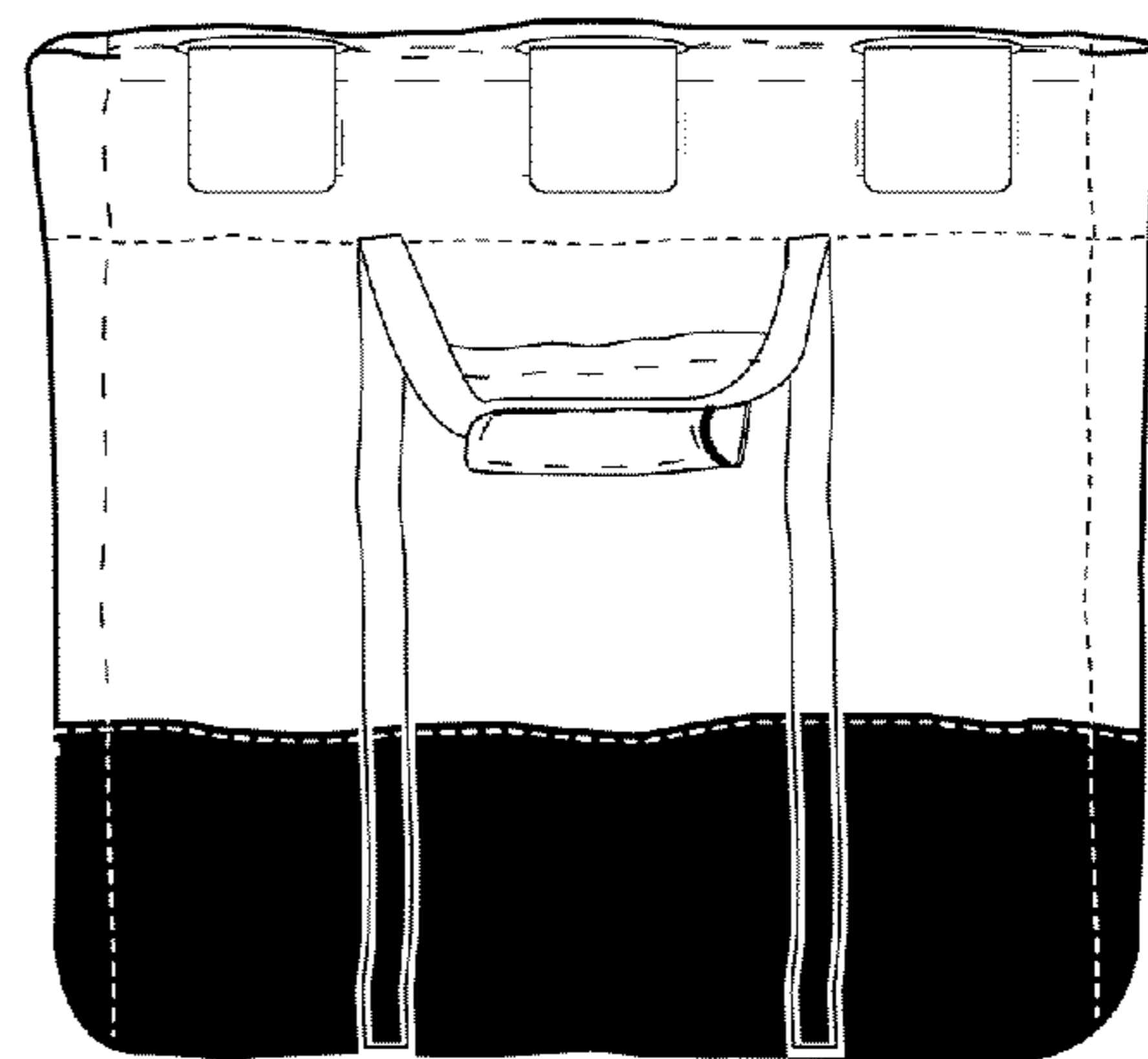


FIG. 4



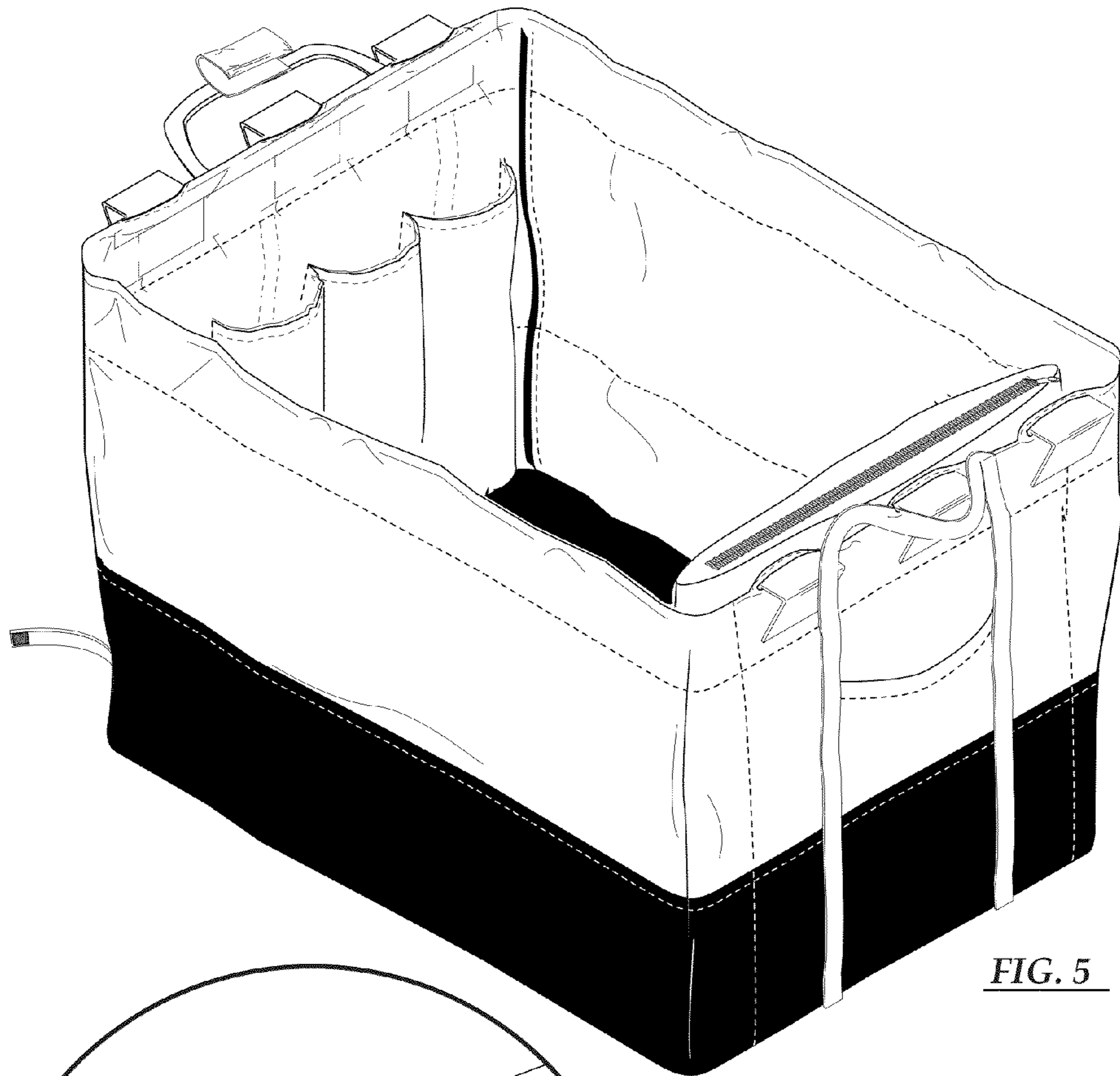


FIG. 5

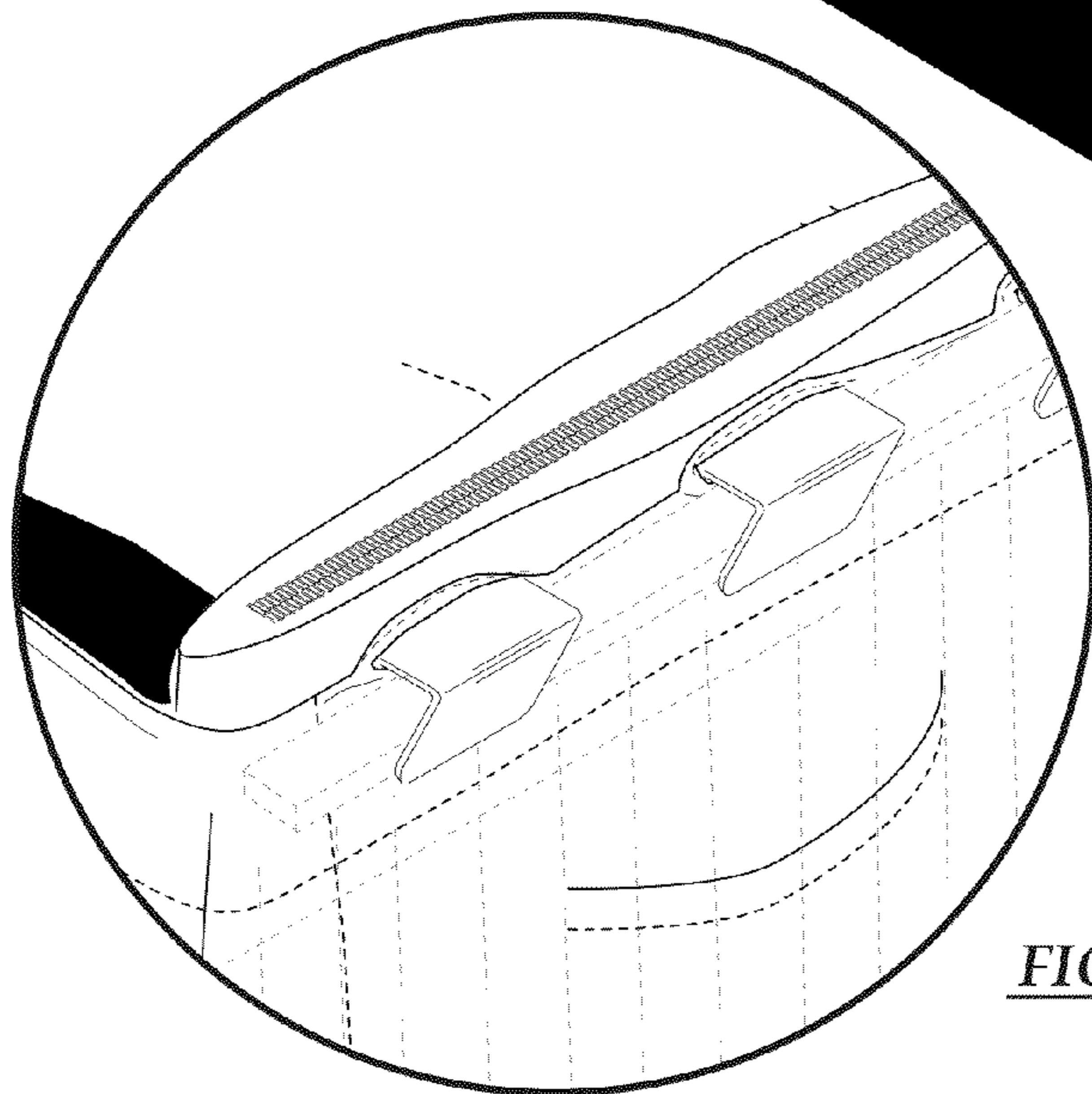


FIG. 6

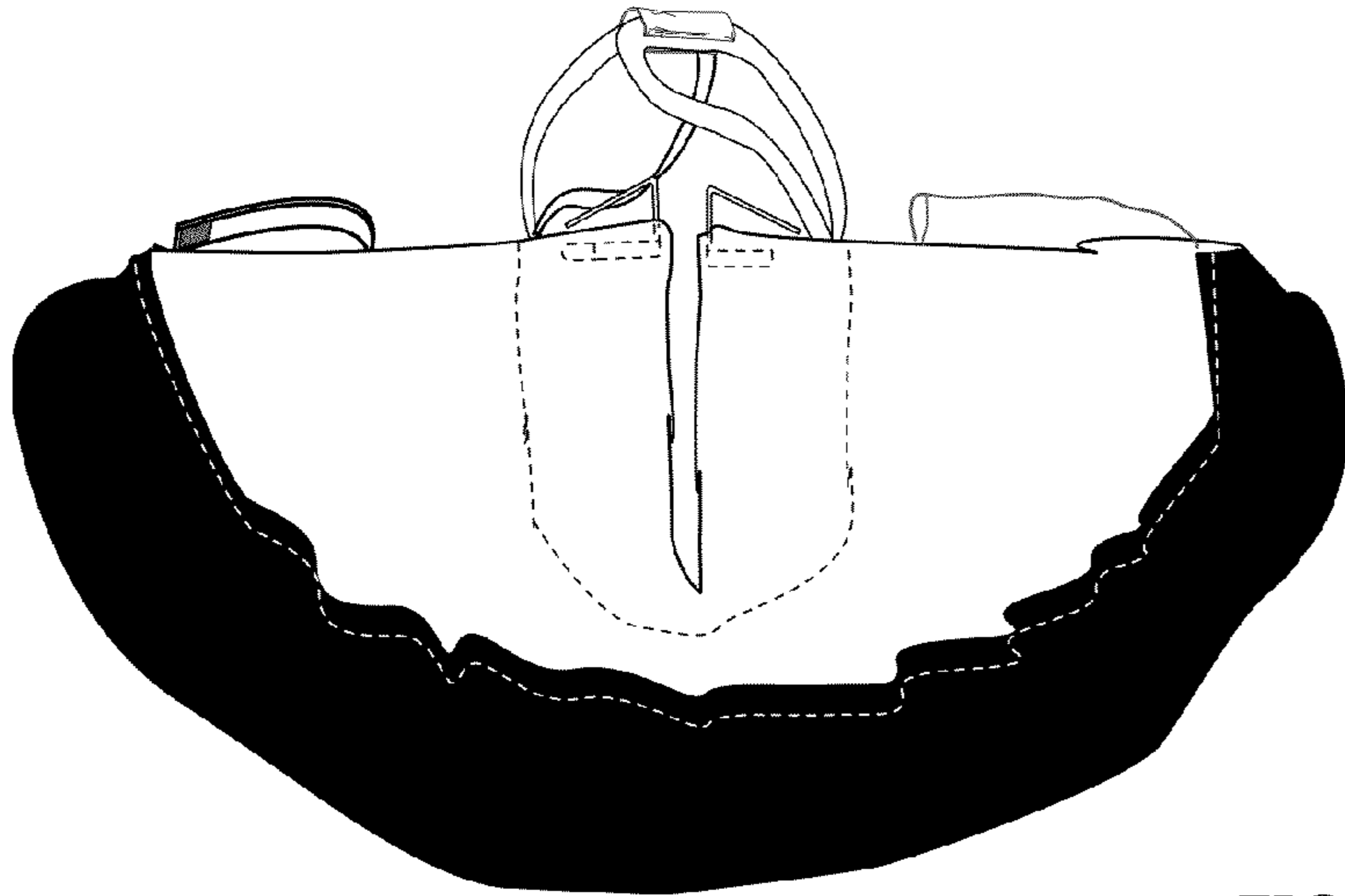


FIG. 7

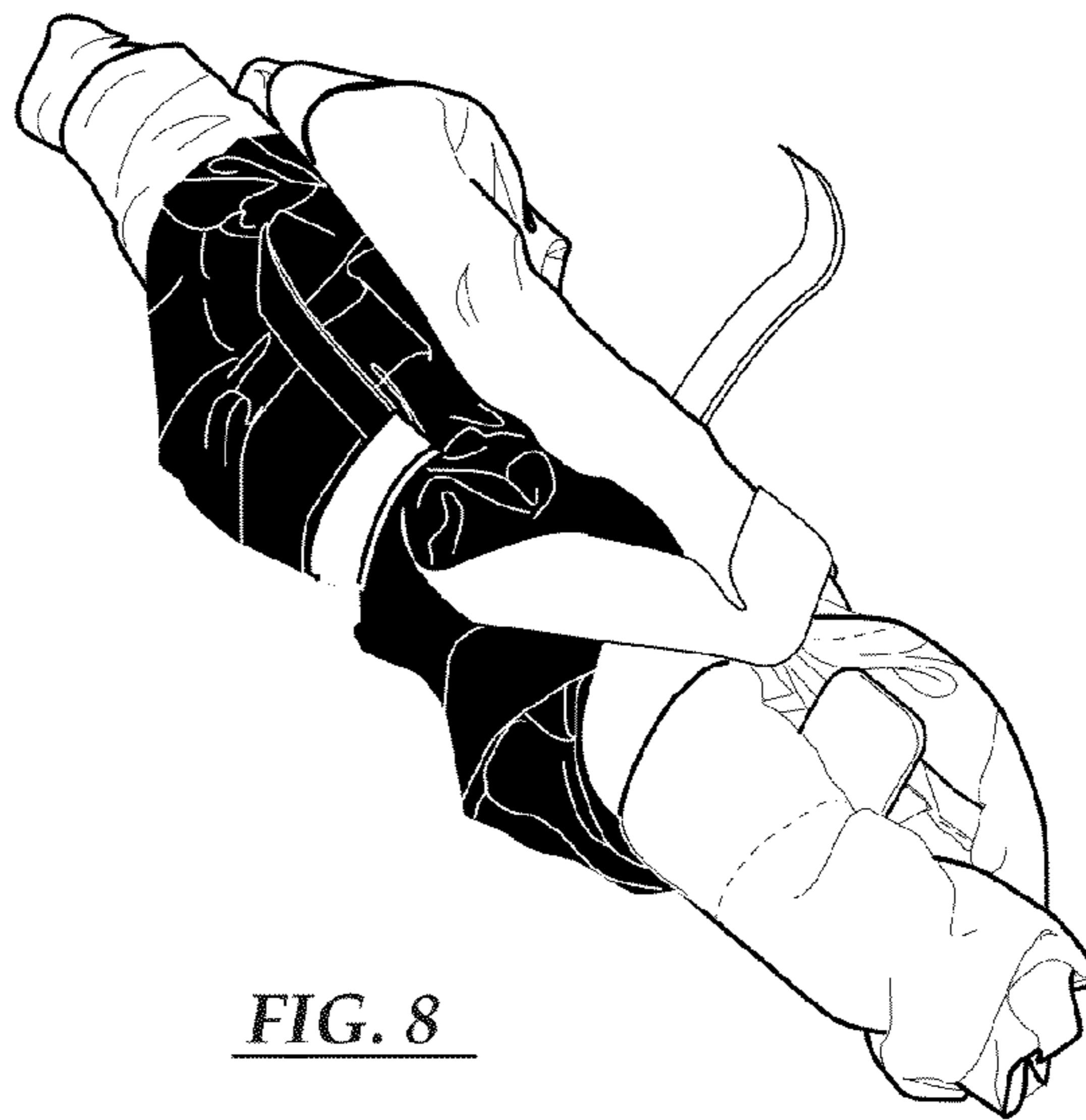


FIG. 8