



US00D736519S

(12) **United States Design Patent**
Chui

(10) **Patent No.:** **US D736,519 S**

(45) **Date of Patent:** **** Aug. 18, 2015**

(54) **CASE**

(71) Applicant: **Chiu Wai Chui**, Hong Kong (HK)

(72) Inventor: **Chiu Wai Chui**, Hong Kong (HK)

(**) Term: **14 Years**

(21) Appl. No.: **29/502,544**

(22) Filed: **Sep. 17, 2014**

(51) **LOC (10) Cl.** **03-01**

(52) **U.S. Cl.**

USPC **D3/276; D3/294; D3/272**

(58) **Field of Classification Search**

USPC D3/905, 276, 279–284, 291, 294, 295,
D3/298, 901, 302, 272, 273, 274, 903, 242,
D3/239, 246, 233; 206/372–379;
220/523–528

CPC A45C 11/34; A45C 15/00; A45C 5/04;
A45C 5/00; A45C 5/005; A45C 13/36

See application file for complete search history.

(56) **References Cited**

U.S. PATENT DOCUMENTS

1,134,219	A	*	4/1915	Myers	190/37
D415,614	S	*	10/1999	Akaike et al.	D3/276
D467,428	S	*	12/2002	Wolf	D3/291
D498,051	S	*	11/2004	Badaan	D3/276
D501,720	S	*	2/2005	Hussaini et al.	D3/273
D509,357	S	*	9/2005	Perella et al.	D3/267
D529,287	S	*	10/2006	Perella et al.	D3/294

D596,399	S	*	7/2009	Decarlo et al.	D3/291
D619,810	S	*	7/2010	Huang	D3/276
D643,213	S	*	8/2011	Hsiao et al.	D3/272
D664,764	S	*	8/2012	Bub et al.	D3/276
D671,742	S	*	12/2012	Cenzano et al.	D3/272
D671,743	S	*	12/2012	Cenzano et al.	D3/272
D723,802	S	*	3/2015	Jones	D3/274
D729,515	S	*	5/2015	Slimane	D3/242

* cited by examiner

Primary Examiner — Jennifer Rivard

Assistant Examiner — April Rivas

(57) **CLAIM**

The ornamental design for a case, as shown and described.

DESCRIPTION

FIG. 1 is a perspective view of a case in a closed configuration;

FIG. 2 is a perspective view of the case with the top disengaged from the lock on the front of the case;

FIG. 3 is a front elevational view of the case the closed configuration;

FIG. 4 is a back elevational view thereof;

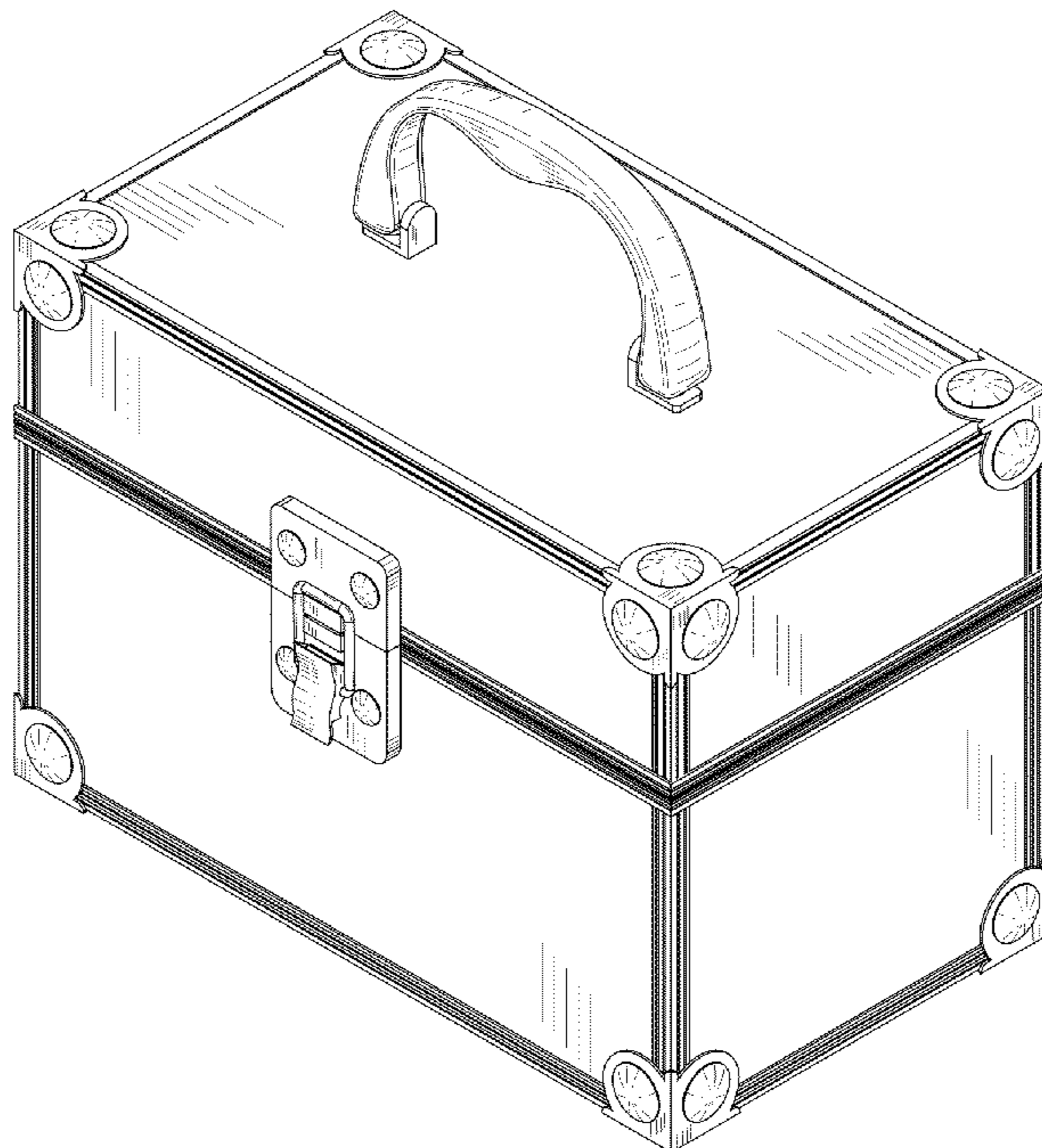
FIG. 5 is a left side elevational view thereof;

FIG. 6 is a right side elevational view thereof;

FIG. 7 is a top plan view thereof; and,

FIG. 8 is a bottom plan view thereof.

1 Claim, 8 Drawing Sheets



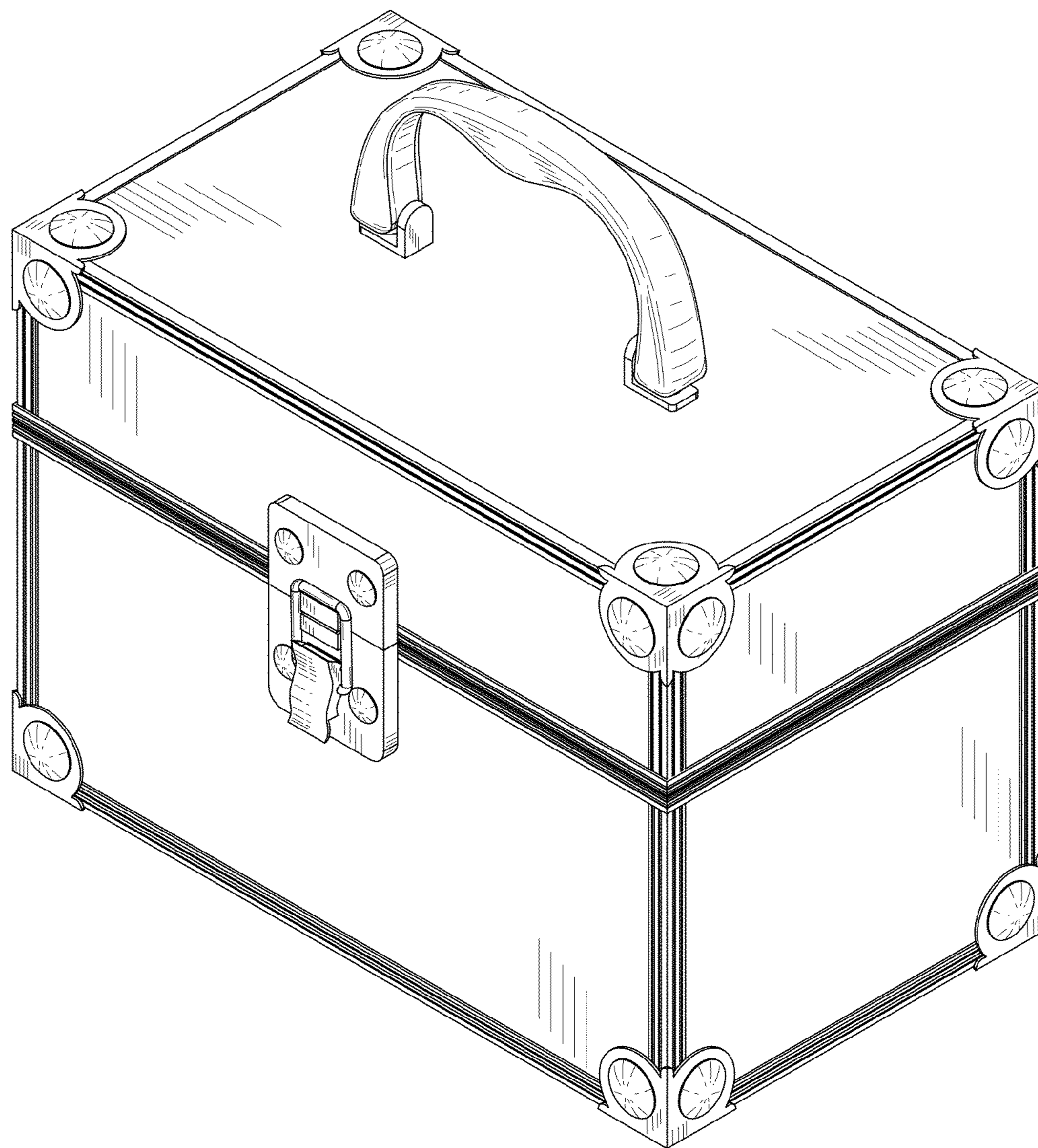


FIG. 1

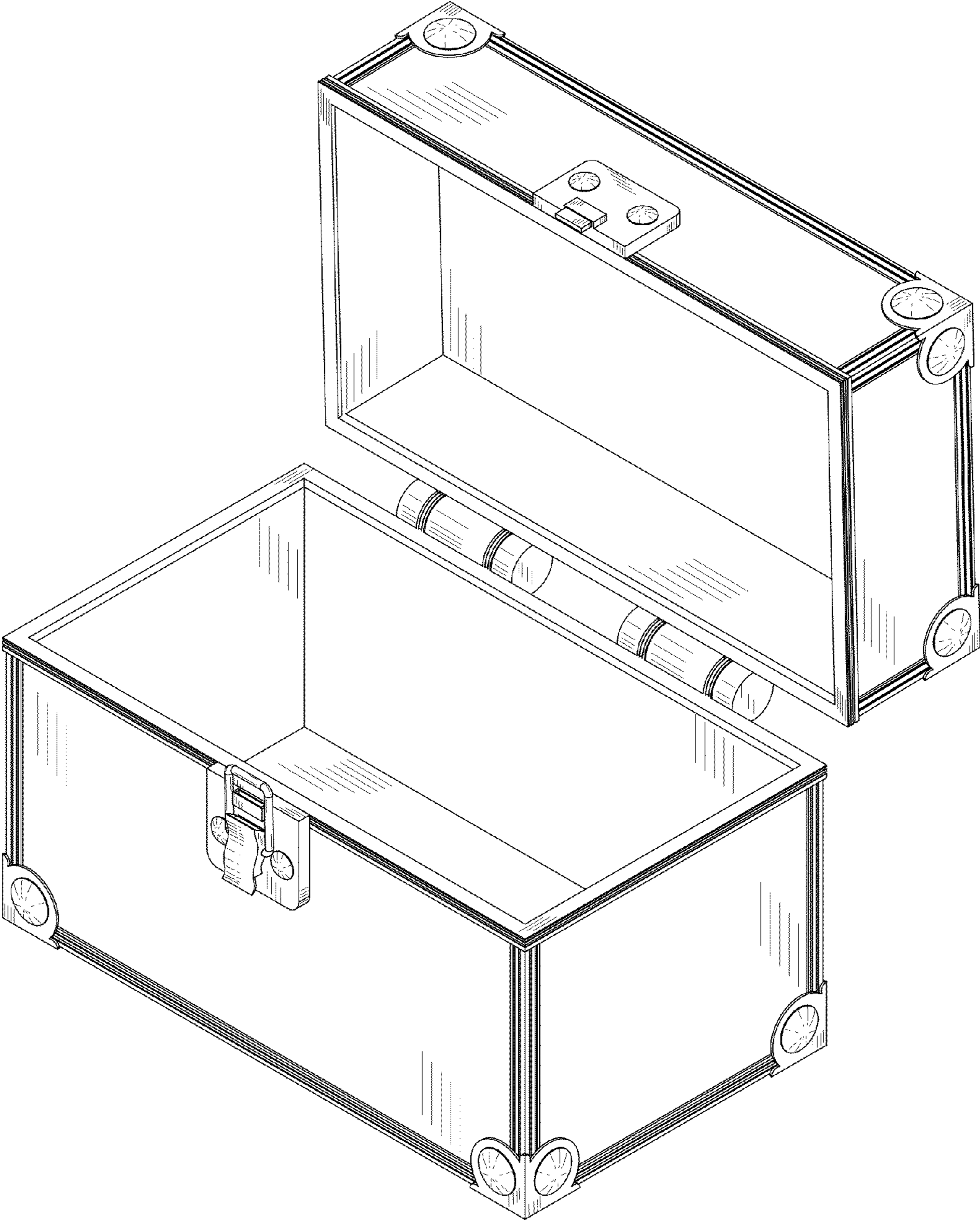


FIG. 2

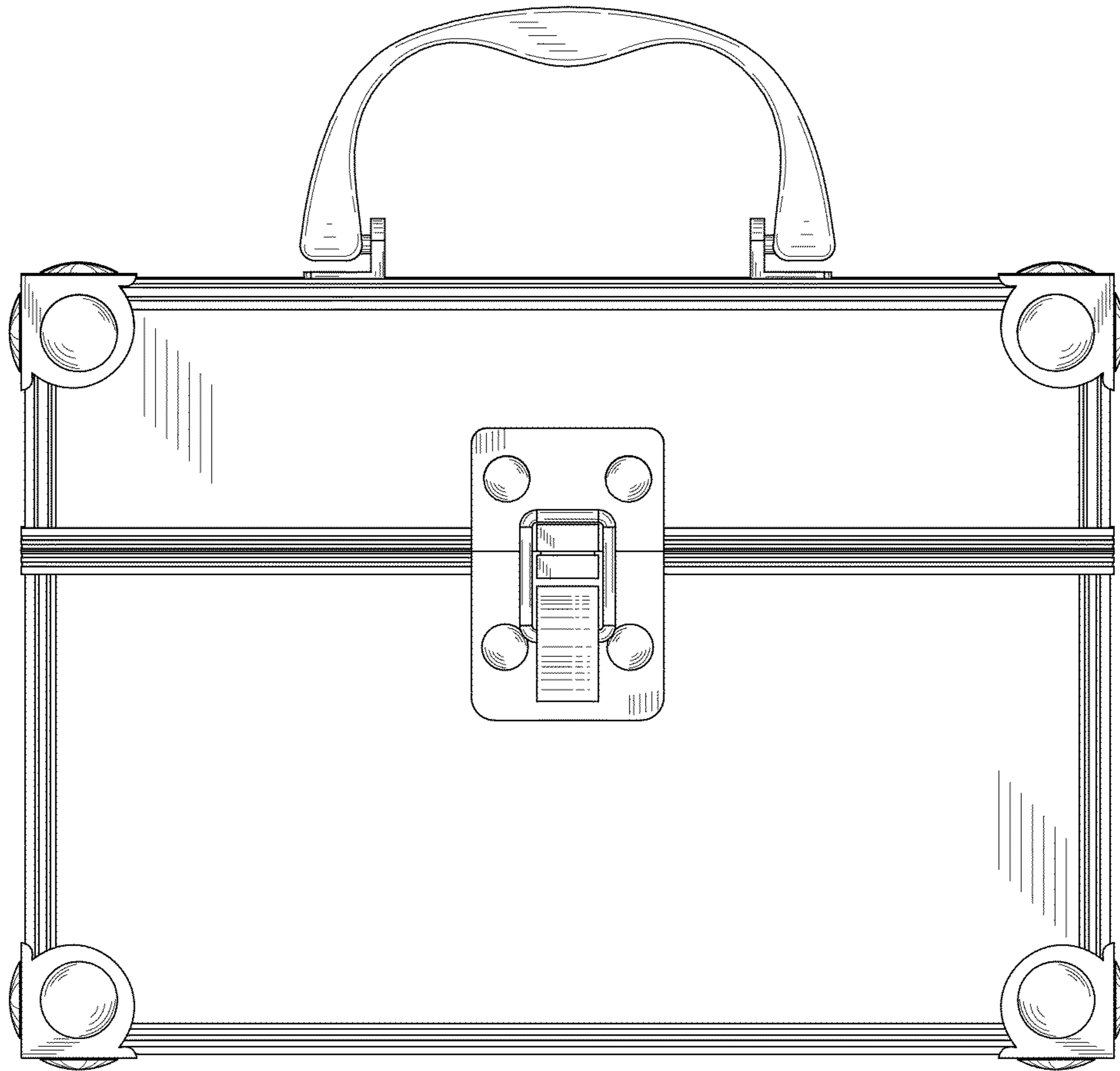


FIG. 3

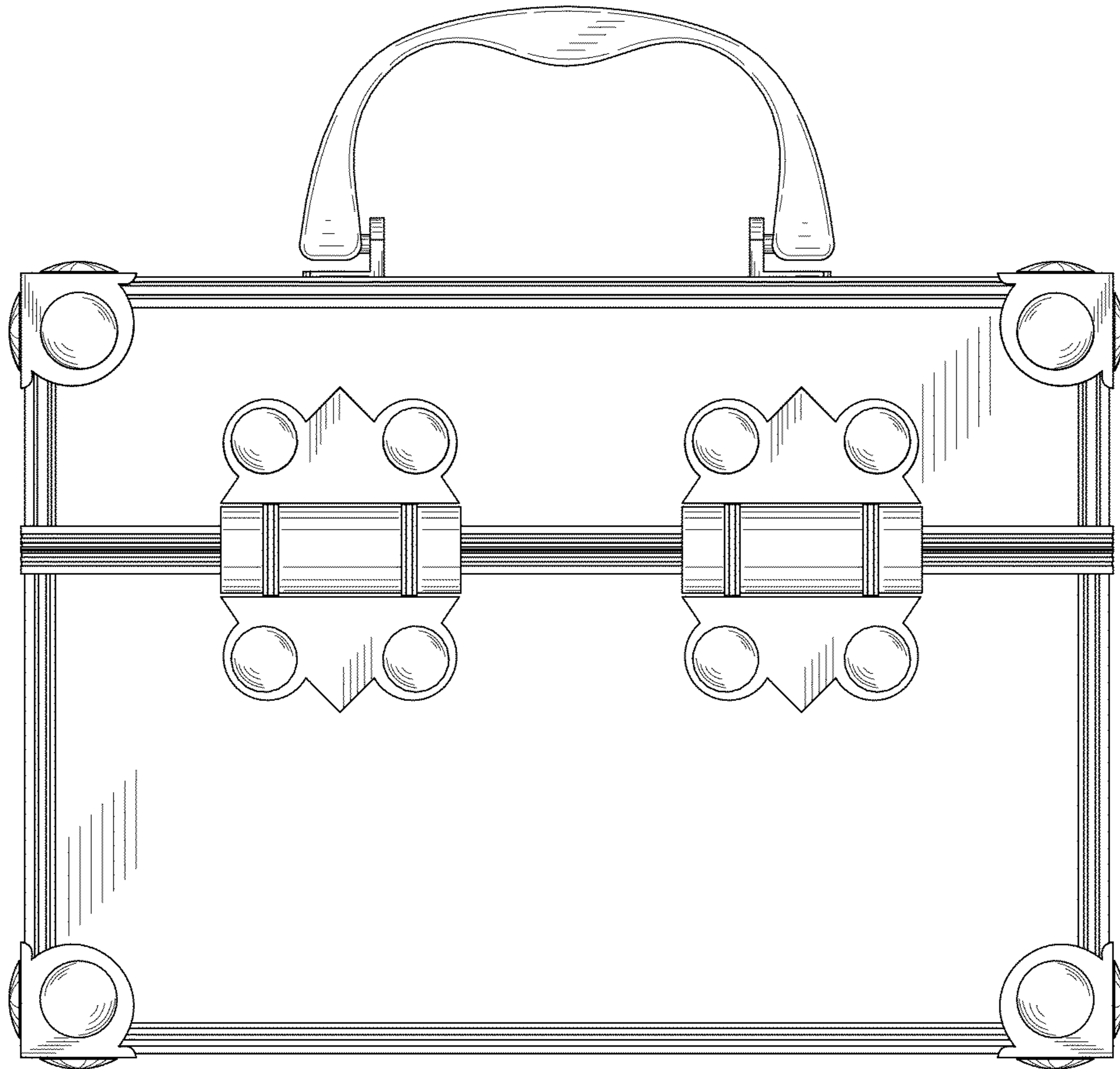


FIG. 4

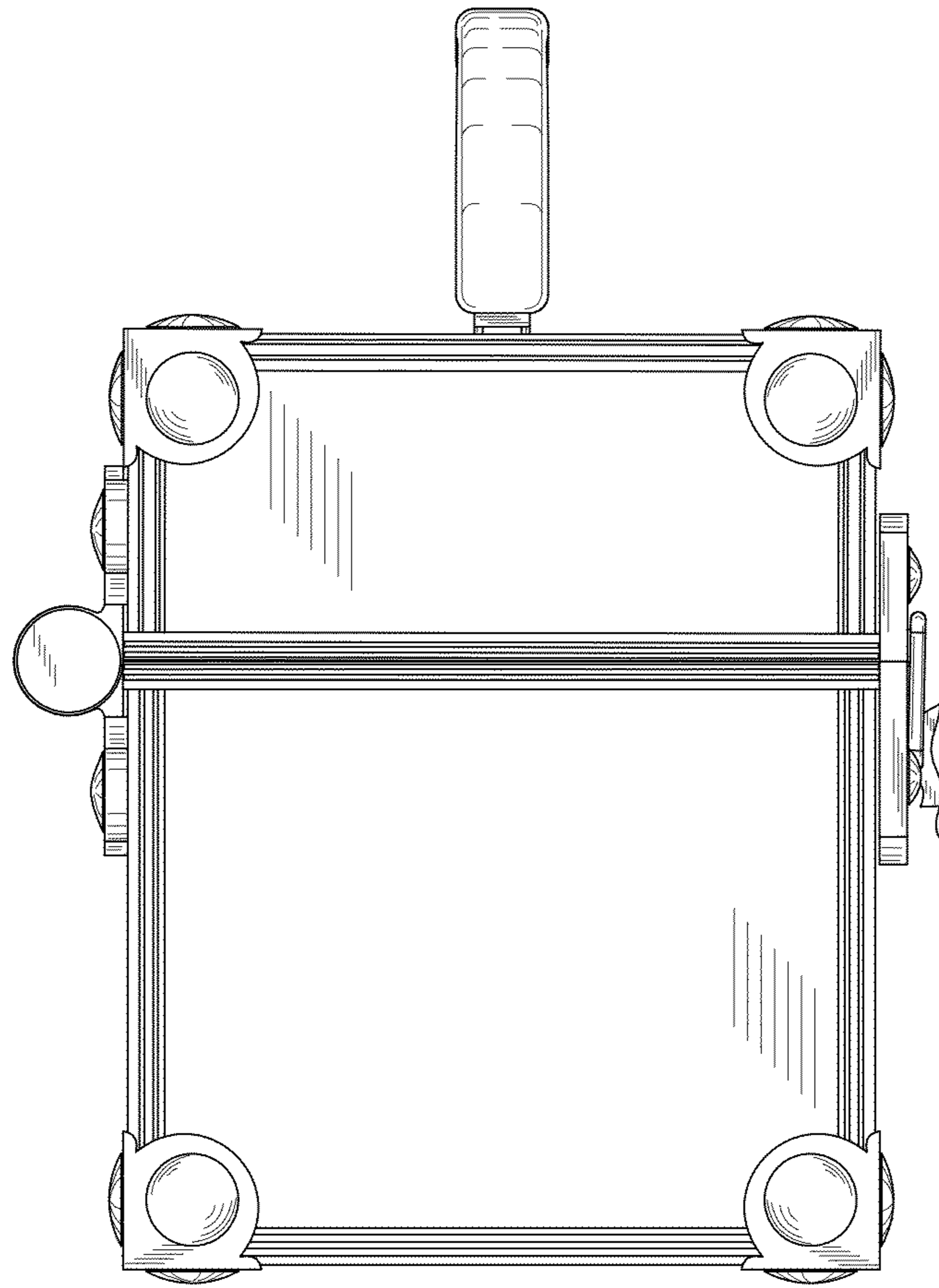


FIG. 5

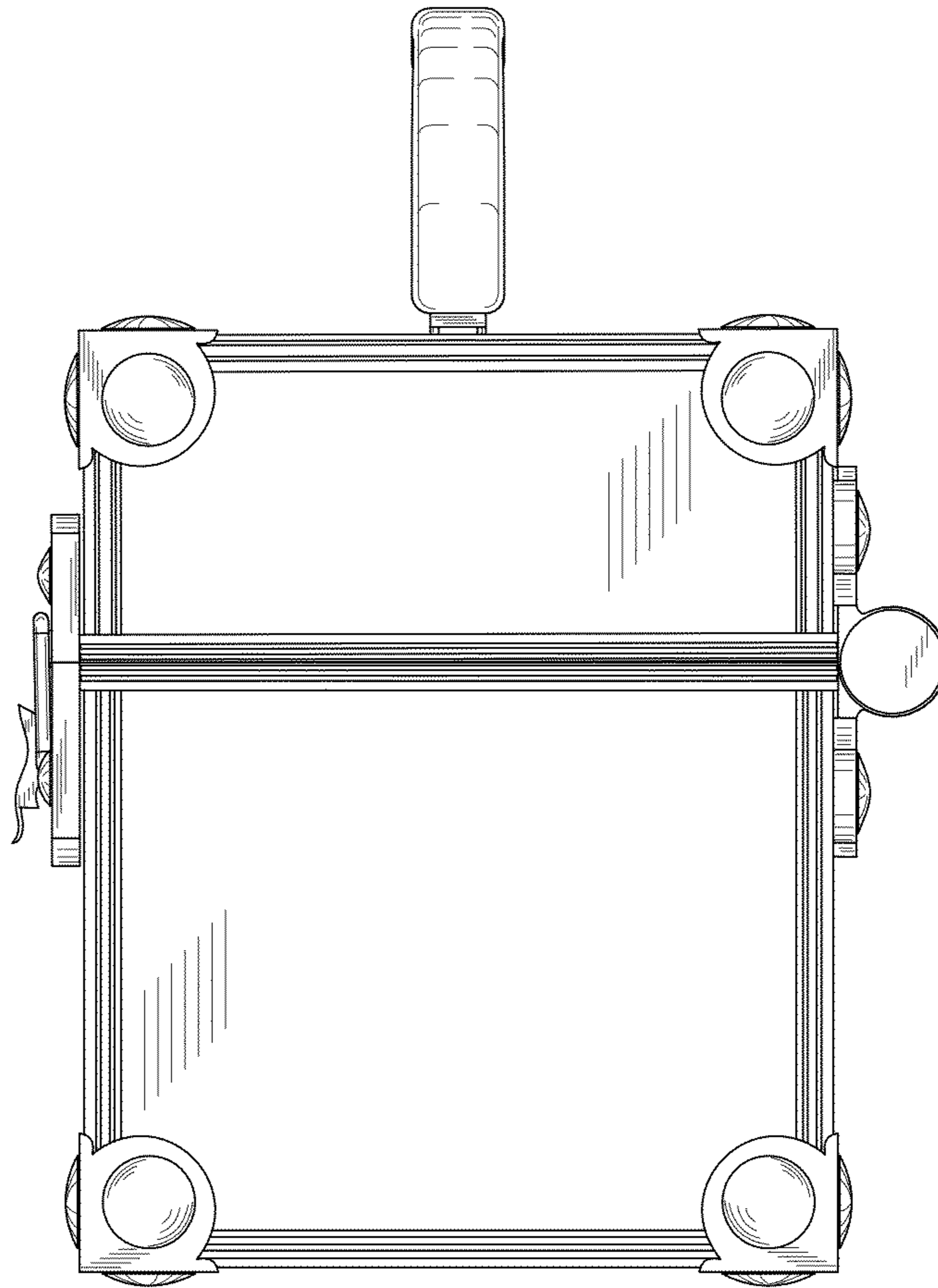


FIG. 6

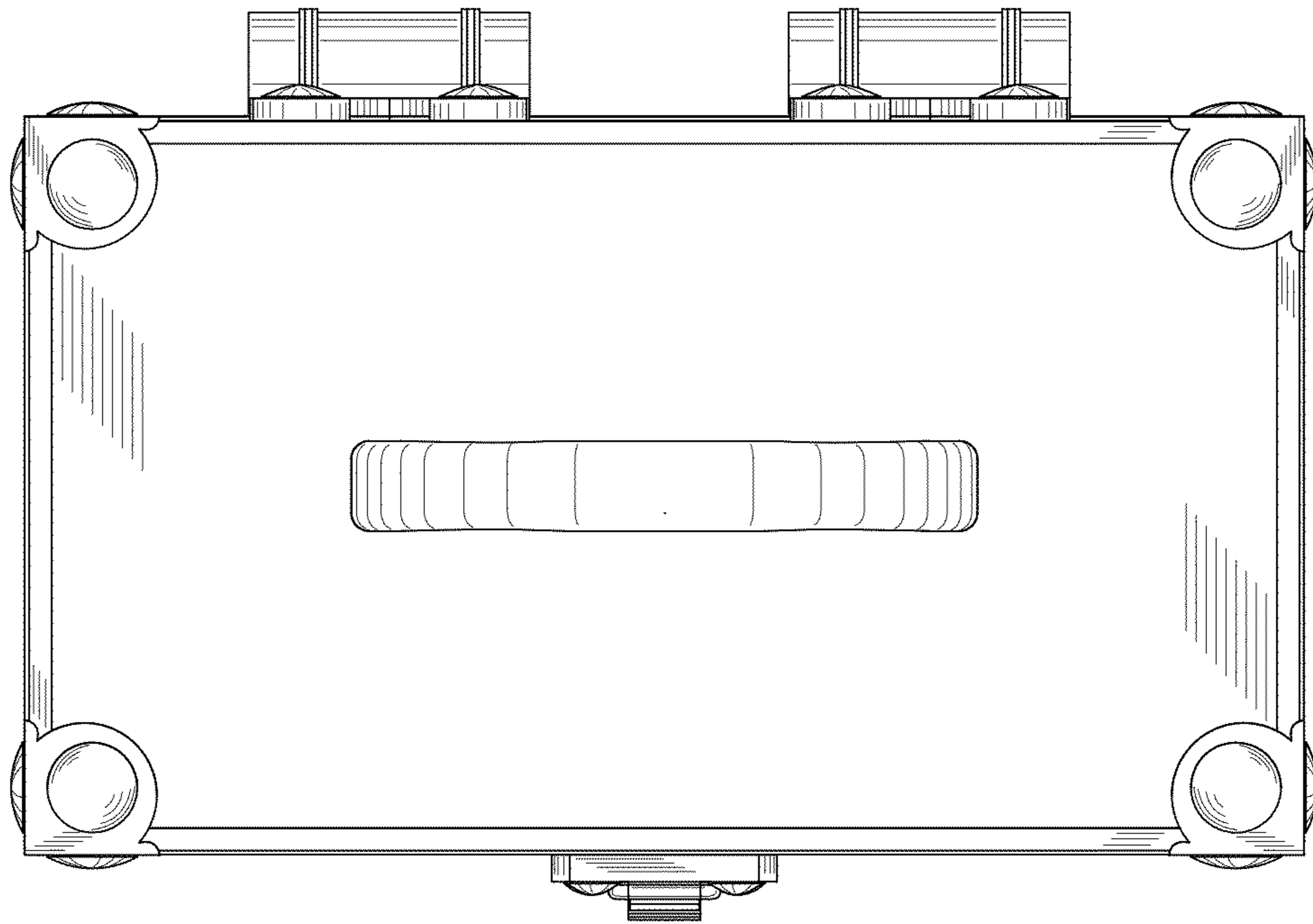


FIG. 7

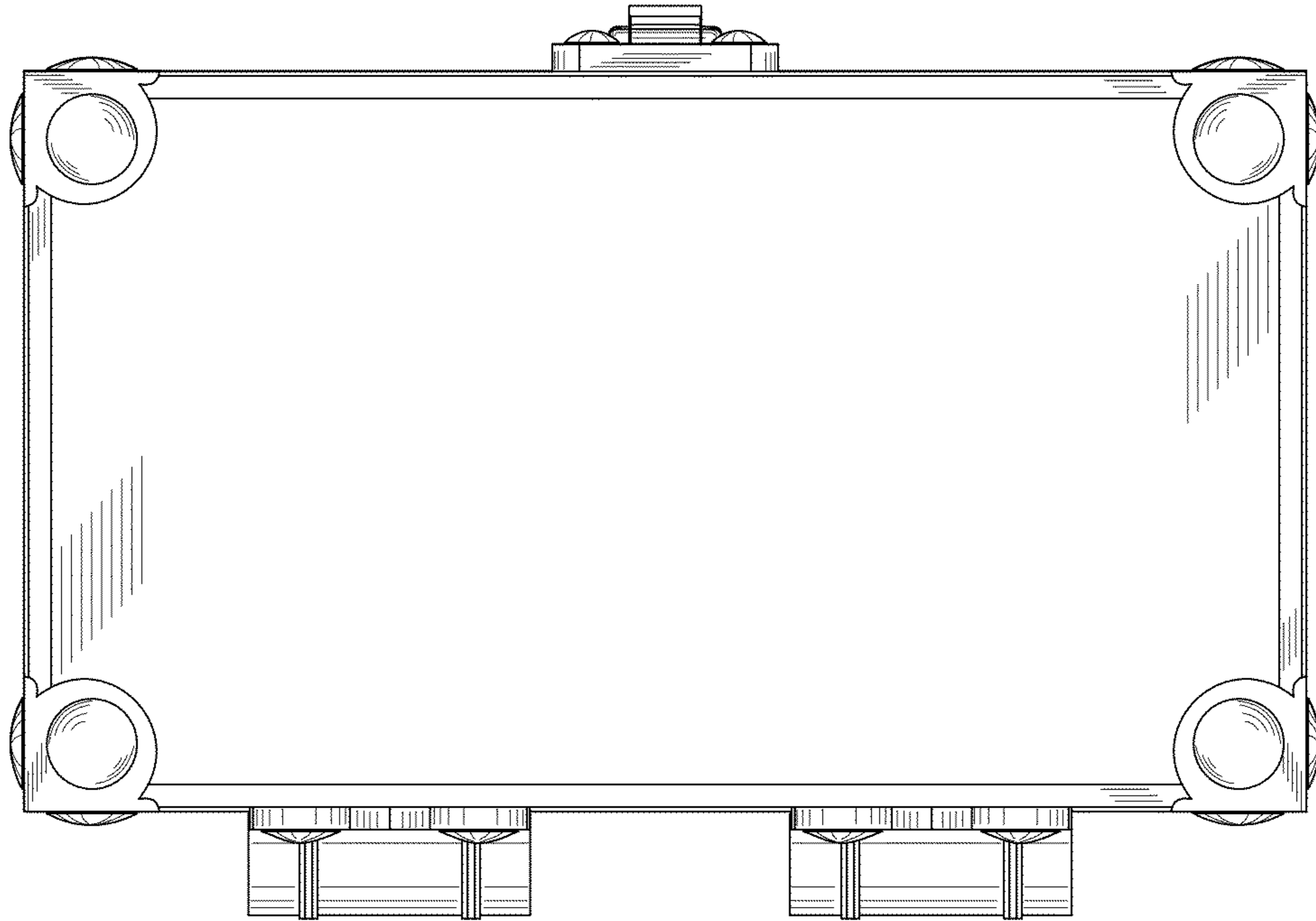


FIG. 8