



US00D736498S

(12) **United States Design Patent**
Yadrich

(10) **Patent No.:** **US D736,498 S**

(45) **Date of Patent:** **** Aug. 18, 2015**

(54) **ITEM OF APPAREL**

(71) Applicant: **Donna Macan Yadrich**, Kansas City, KS (US)

(72) Inventor: **Donna Macan Yadrich**, Kansas City, KS (US)

(**) Term: **14 Years**

(21) Appl. No.: **29/449,320**

(22) Filed: **Mar. 14, 2013**

(51) **LOC (10) CI.** **02-02**

(52) **U.S. CI.**

USPC **D2/840**

(58) **Field of Classification Search**

USPC 2/71, 72, 87, 90, 93, 95, 96, 106, 109, 2/113, 114, 456, 912; D2/715, 717-718, D2/720, 728, 731, 739, 749, 750, 797, 833, D2/847, 840, 841, 850, 862

CPC . A41D 1/18; A41D 13/1209; A41D 13/1245; A41D 13/1236; A41D 2400/44; A41D 2400/70; A41D 2600/108

See application file for complete search history.

(56) **References Cited**

U.S. PATENT DOCUMENTS

1,489,046	A *	4/1924	Thompson	2/114
1,797,604	A *	3/1931	Burgdorfer	2/75
2,675,555	A *	4/1954	Peronto	2/105
5,553,323	A *	9/1996	Chou et al.	2/114
D432,225	S *	10/2000	Fritsche	D23/367
D490,214	S *	5/2004	Murray-Benoit et al.	D2/847
D565,279	S *	4/2008	Farrell	D2/720
D574,126	S *	8/2008	McCray	D2/840
D613,035	S *	4/2010	Lunt et al.	D2/720
D661,465	S	6/2012	Smith		
8,533,867	B2 *	9/2013	Oprandi et al.	2/114

2004/0010837	A1 *	1/2004	Graves	2/114
2005/0193460	A1 *	9/2005	Moore	2/53
2010/0017933	A1	1/2010	Taylor-Barry		
2010/0242150	A1 *	9/2010	Trouillot	2/114

OTHER PUBLICATIONS

Medical Rehab Wear. <URL: <http://store.medicalrehabwearinc.com/catalog/product/9c79600185b442388c7ef8302196c6dc>>. Visited Mar. 23, 2015. Shirt with hidden snap opening at center front.*
Network 54. <URL: <http://www.network54.com/Forum/567138/thread/1226757637/last-1226803804/Dodge+Davis+Vintage+Uniform+questions>>. Nov. 15, 2008. Dodge Davis Vintage Uniform with curved V-neck center front opening.*

(Continued)

Primary Examiner — Bridget L Eland

Assistant Examiner — Lauren McVey

(74) *Attorney, Agent, or Firm* — Lathrop & Gage LLP

(57) **CLAIM**

The ornamental design for an item of apparel, as shown and described.

DESCRIPTION

FIG. 1 is a front view of the item of apparel showing the new design, in a closed configuration;

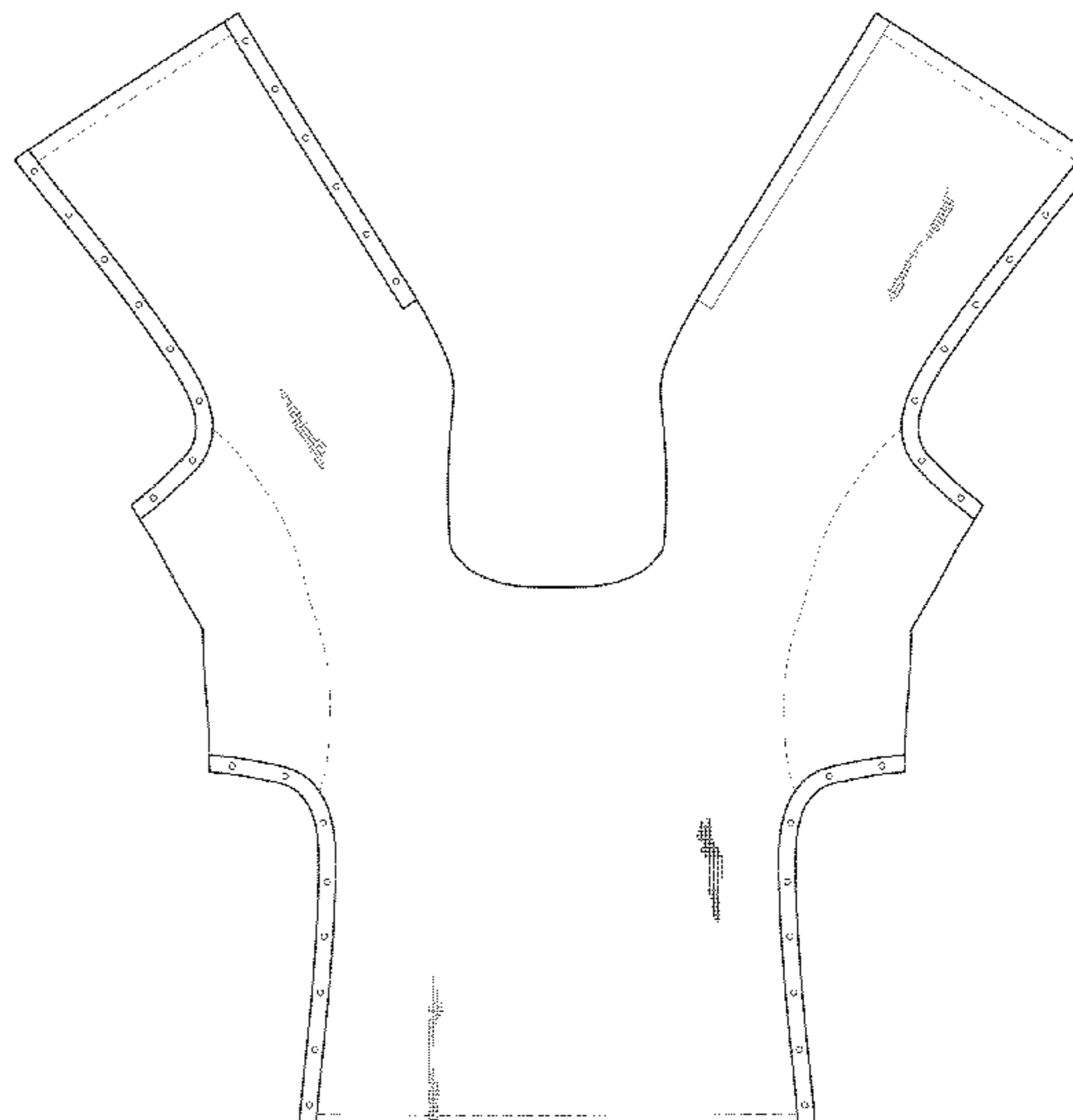
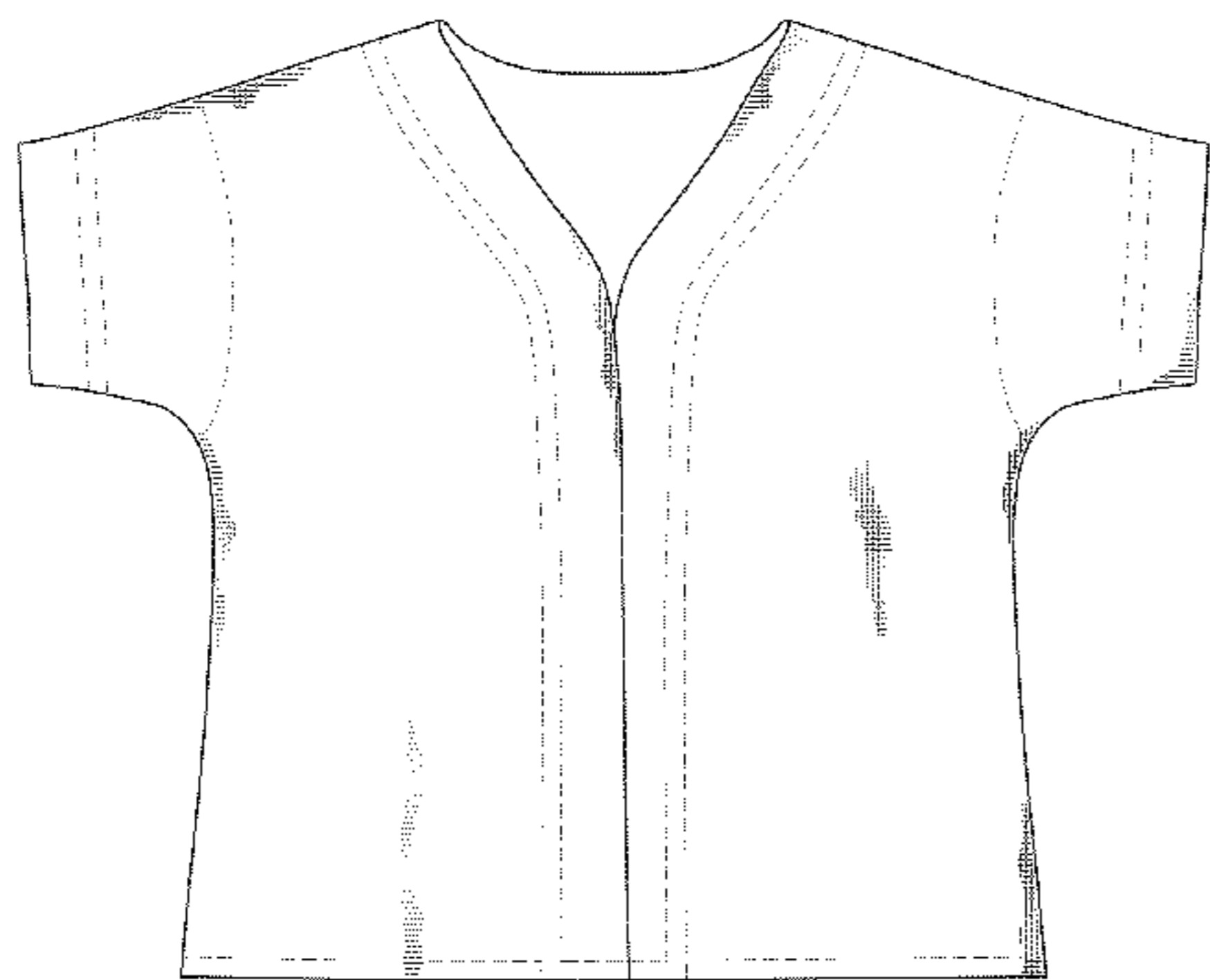
FIG. 2 is a rear view thereof, in a closed configuration;

FIG. 3 shows the item of apparel in an open configuration; and,

FIG. 4 is a detailed view taken from FIG. 2.

All of the broken lines in the accompanying drawings illustrate environmental structure and form no part of the claimed design. The pattern sporadically depicted throughout the views is intended to indicate that the pattern is continuous throughout the surface on which the pattern is shown.

1 Claim, 4 Drawing Sheets



(56)

References Cited

OTHER PUBLICATIONS

Medical Rehab Wear. <URL: <http://store.medicalrehabwearinc.com/t-shirt-style-2-short-sleeve>>. Visited Mar. 23, 2015. Shirt with hidden snaps under arms and sides.*

Medical Rehab Wear. <URL: <http://store.medicalrehabwearinc.com/t-shirt-style-5>>. Visited Dec. 31, 2014. Shirt with hidden snaps under arms and sides.*

* cited by examiner

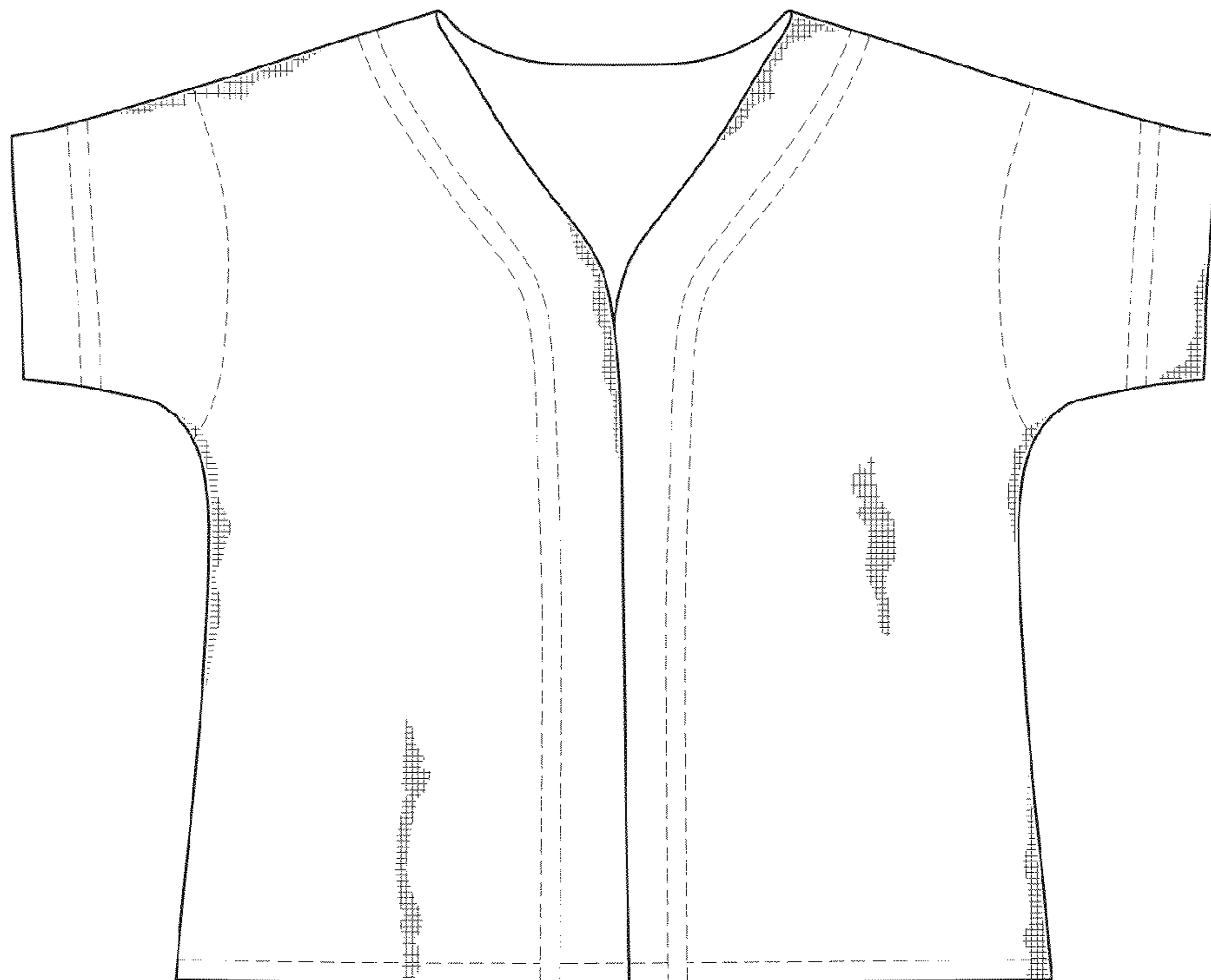


FIG. 1



FIG. 2

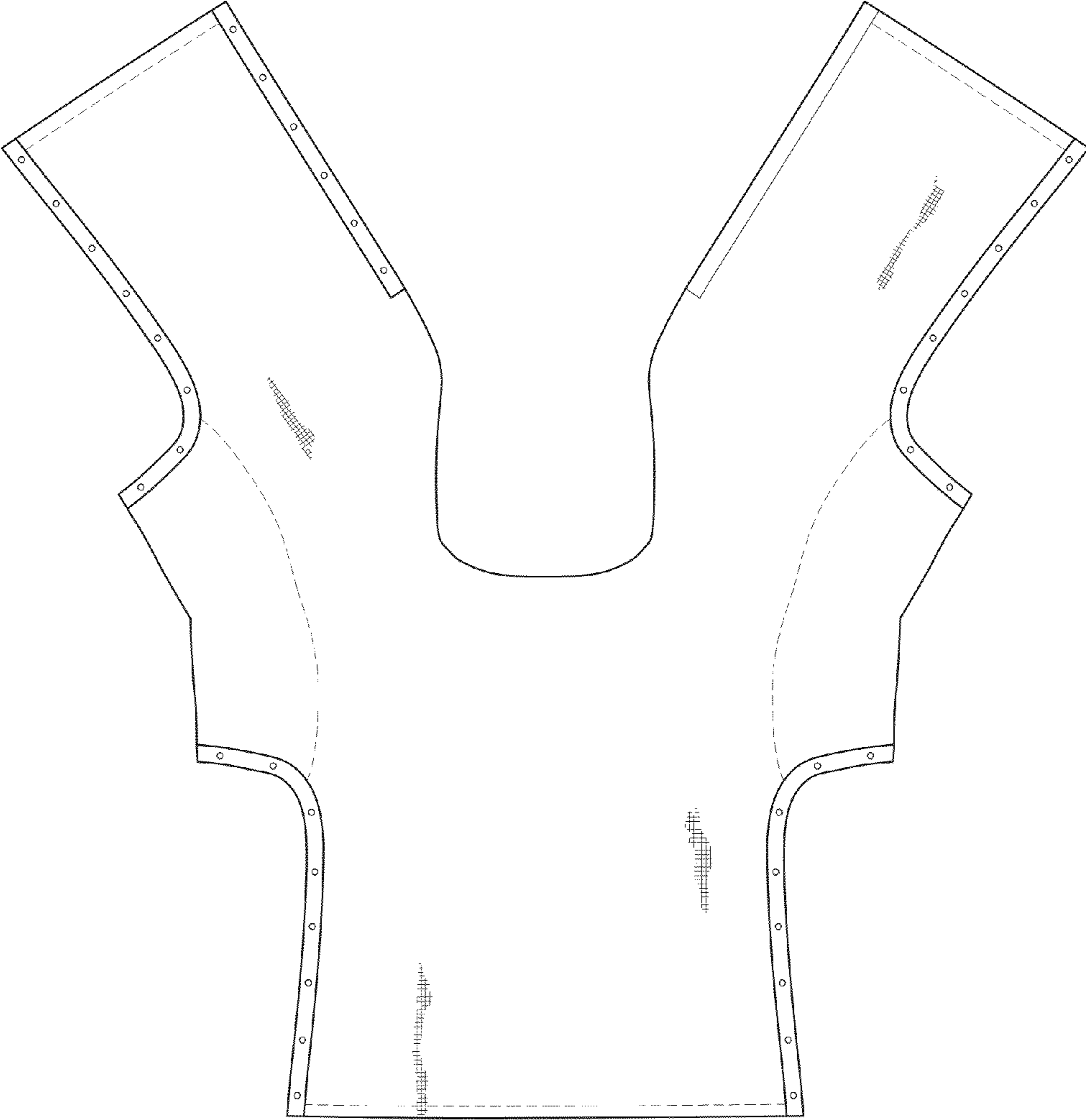


FIG. 3

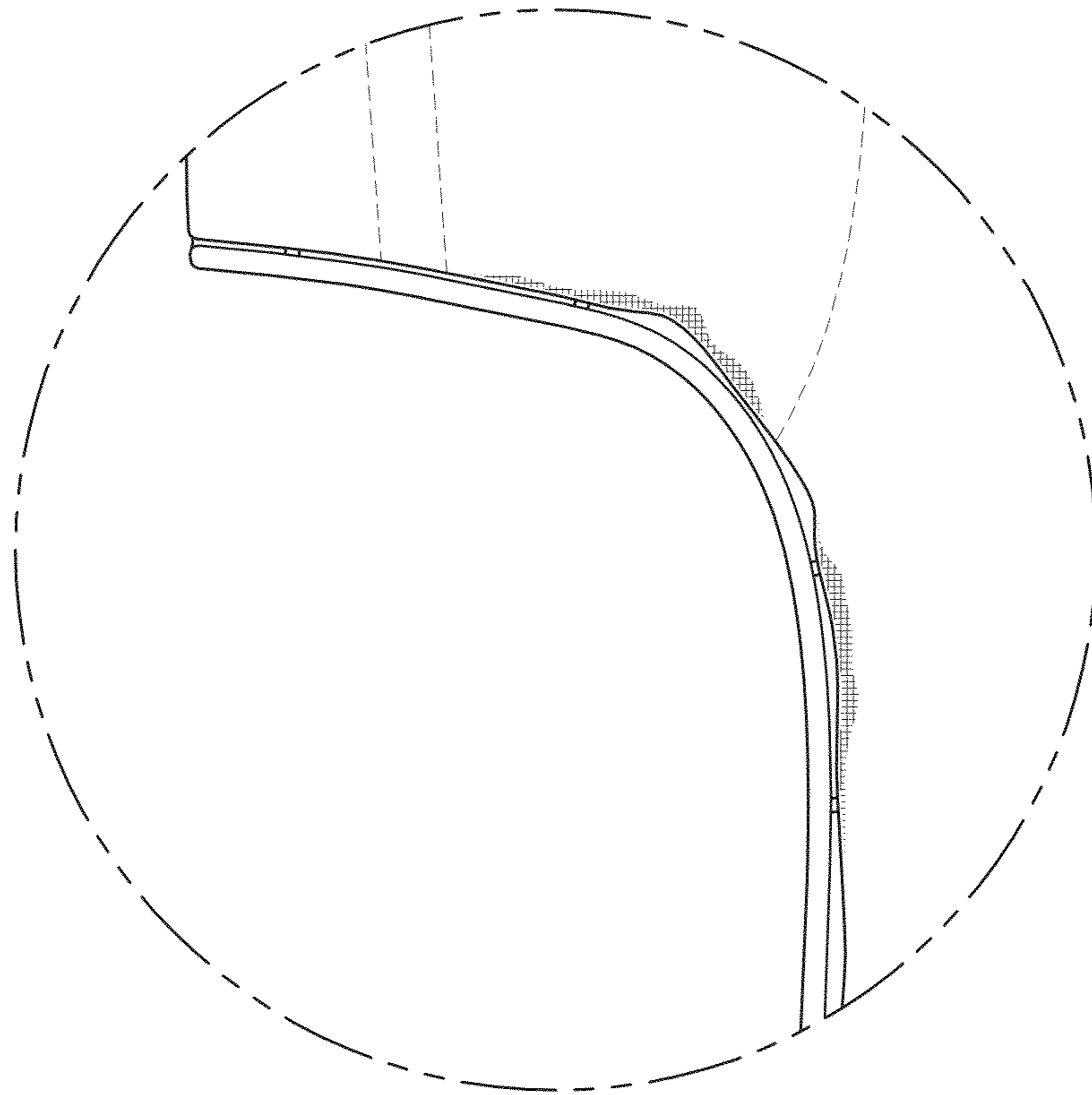


FIG. 4