



US00D736486S

(12) **United States Design Patent**
Goetzl et al.

(10) **Patent No.:** **US D736,486 S**

(45) **Date of Patent:** **** Aug. 11, 2015**

(54) **HANDHELD TRANSCEIVER WITH DISPLAY**

(71) Applicant: **Radio Systems Corporation**, Knoxville, TN (US)

(72) Inventors: **Brent Goetzl**, Orinda, CA (US); **Kevin Zinn**, Knoxville, TN (US); **Aaron Russell**, Knoxville, TN (US); **Darrell Douglas**, Knoxville, TN (US); **Harri Piltonen**, Varjakka (FI)

(73) Assignee: **Radio Systems Corporation**, Knoxville, TN (US)

(**) Term: **14 Years**

(21) Appl. No.: **29/479,170**

(22) Filed: **Jan. 13, 2014**

(51) **LOC (10) Cl.** **30-99**

(52) **U.S. Cl.**
USPC **D30/199**

(58) **Field of Classification Search**
USPC D30/144, 145, 151, 152, 155, 199;
D10/104.1, 104.2; D13/168; D14/137,
D14/138 AB, 155, 159, 218, 247; 119/712,
119/718, 719, 720, 721, 856, 858, 859, 860,
119/863; 340/573.1, 573.3, 573.4, 539.14,
340/539.15

CPC A01K 15/21; A01K 15/22; A01K 15/23;
A01K 15/04; A01K 11/006; A01K 27/001;
A01K 27/009; H04N 5/4403

See application file for complete search history.

(56) **References Cited**

U.S. PATENT DOCUMENTS

D170,564 S 10/1953 Bloss
D192,360 S 3/1962 Kleeberg
D298,872 S 12/1988 Cassel et al.
4,794,402 A 12/1988 Gonda et al.
4,887,549 A 12/1989 Powell

5,099,797 A 3/1992 Gonda
5,193,484 A 3/1993 Gonda
5,605,116 A 2/1997 Kim et al.
D383,745 S 9/1997 Lindeman et al.
D387,758 S 12/1997 Oross et al.
D389,139 S 1/1998 Oross et al.
D389,158 S 1/1998 Oross
D389,827 S 1/1998 Oross et al.
D395,882 S 7/1998 Oross et al.
D398,923 S 9/1998 Tokiyama et al.
D399,821 S 10/1998 Tyneski et al.
5,857,433 A 1/1999 Files
D408,396 S 4/1999 Tyneski et al.
D413,022 S 8/1999 Tyneski et al.
D416,252 S 11/1999 Haase et al.
D416,893 S 11/1999 Tyneski et al.
D418,137 S 12/1999 Zeitman
6,061,037 A 5/2000 Brouwers et al.
D426,166 S 6/2000 Ferron et al.
D427,177 S 6/2000 Yamazaki
D427,919 S 7/2000 Laverick et al.

(Continued)

Primary Examiner — Martie K Holtje

(74) *Attorney, Agent, or Firm* — Peter L. Brewer; Baker Donelson

(57) **CLAIM**

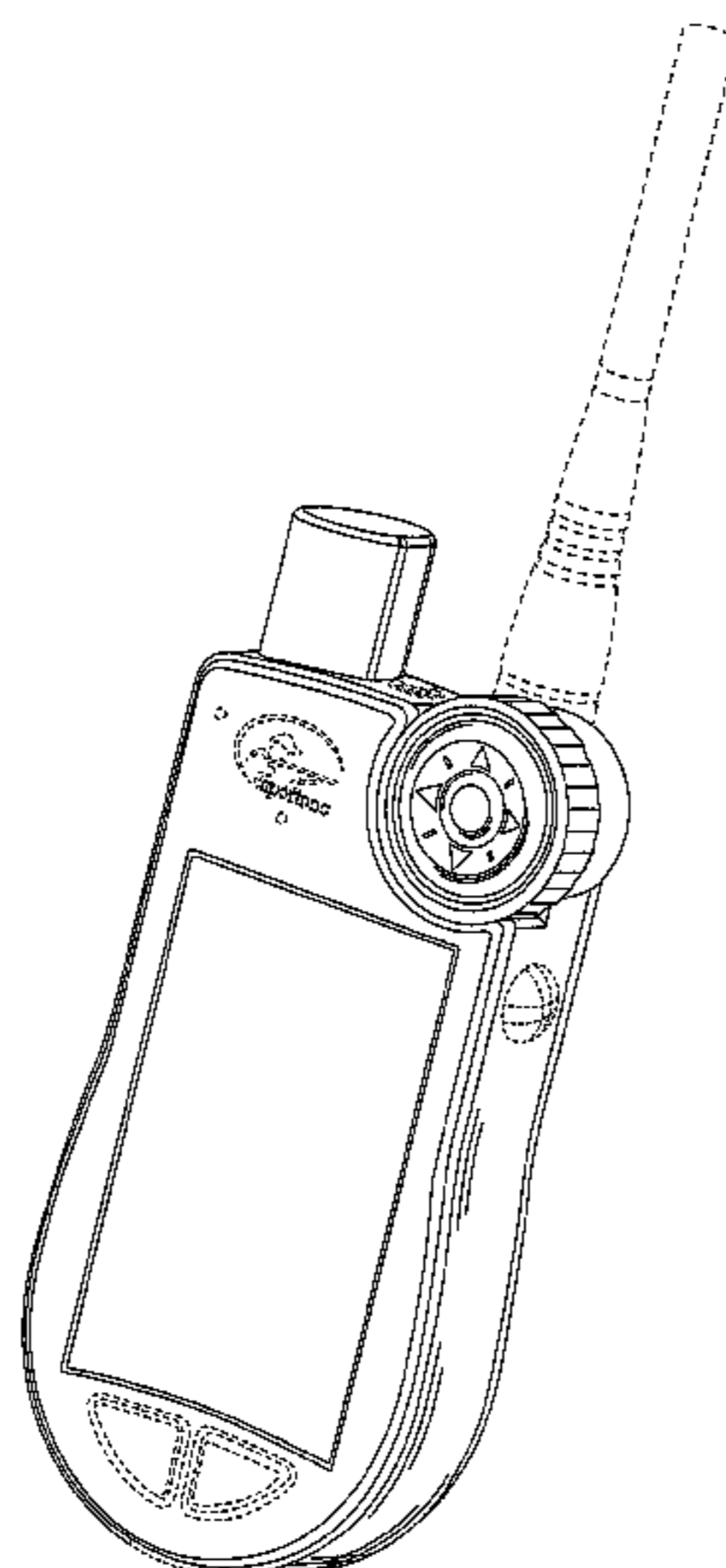
We claim the ornamental design for a handheld transceiver with display, as shown and described.

DESCRIPTION

FIG. 1 is a right front perspective view of a handheld transmitter with display showing our new design;
FIG. 2 is a front elevational view thereof;
FIG. 3 is a rear elevational view thereof;
FIG. 4 is a top plan view thereof;
FIG. 5 is a bottom plan view thereof;
FIG. 6 is a right side elevational view thereof; and,
FIG. 7 is a left side elevational view thereof.

The features shown in broken lines depict portions of the handheld transceiver with display that form no part of the claimed design.

1 Claim, 4 Drawing Sheets



(56)

References Cited

U.S. PATENT DOCUMENTS

D428,866 S	8/2000	You	6,860,240 B2 *	3/2005	Kim et al.	119/719
D433,001 S	10/2000	Haase et al.	6,901,883 B2	6/2005	Gillis et al.	
D433,395 S	11/2000	Wong	D510,077 S	9/2005	Oh	
D433,396 S	11/2000	Wong	D510,333 S	10/2005	Lodato et al.	
D434,401 S	11/2000	Haase et al.	7,017,524 B2 *	3/2006	Gillis et al.	119/719
D436,094 S	1/2001	Yamada	7,034,693 B2	4/2006	Lee, IV	
6,167,843 B1 *	1/2001	Kim 119/720	7,111,586 B2 *	9/2006	Lee et al.	119/719
D445,706 S	7/2001	Myers et al.	D531,584 S	11/2006	Myers et al.	
D446,144 S *	8/2001	Christensen et al. D10/104.1	D535,973 S	1/2007	Goetzl et al.	
D446,195 S	8/2001	Chamberlain et al.	D545,790 S	7/2007	Jameson et al.	
D451,836 S	12/2001	Fleetwood et al.	D545,791 S	7/2007	Jameson et al.	
D452,684 S	1/2002	Sedan et al.	D553,037 S	10/2007	Zakharyan et al.	
D456,374 S	4/2002	Haase et al.	D555,298 S	11/2007	Garon	
D456,811 S	5/2002	Wheelock et al.	7,377,234 B2	5/2008	Belcher	
D457,873 S	5/2002	Ng	D571,768 S	6/2008	Shi et al.	
D462,916 S	9/2002	Fleetwood et al.	7,382,328 B2	6/2008	Lee, IV et al.	
6,474,269 B2	11/2002	So	D573,564 S	7/2008	Goetzl et al.	
D467,888 S	12/2002	Mirabelli et al.	7,607,406 B2 *	10/2009	So 119/719	
6,549,133 B2 *	4/2003	Duncan et al. 340/573.3	7,647,545 B2	1/2010	McFarland	
6,598,563 B2 *	7/2003	Kim et al. 119/720	7,667,607 B2	2/2010	Gerig et al.	
D479,831 S	9/2003	Ng et al.	D615,438 S	5/2010	Goetzl et al.	
D480,695 S	10/2003	Cebe et al.	7,712,438 B2	5/2010	Reinhart	
D481,025 S	10/2003	Cebe et al.	8,011,327 B2	9/2011	Mainini et al.	
D482,009 S	11/2003	Robertson, Jr. et al.	8,069,823 B2	12/2011	Mainini et al.	
D482,630 S	11/2003	So	D659,304 S	5/2012	Vatka et al.	
D491,548 S	6/2004	Cho	8,181,607 B2 *	5/2012	Kim 119/720	
D500,486 S	1/2005	Zeitman	8,456,292 B2	6/2013	Fukasawa et al.	
			2004/0206310 A1 *	10/2004	Hutchins 119/720	
			2008/0036610 A1 *	2/2008	Hokuf et al. 340/573.3	
			2012/0272924 A1 *	11/2012	So 119/720	

* cited by examiner

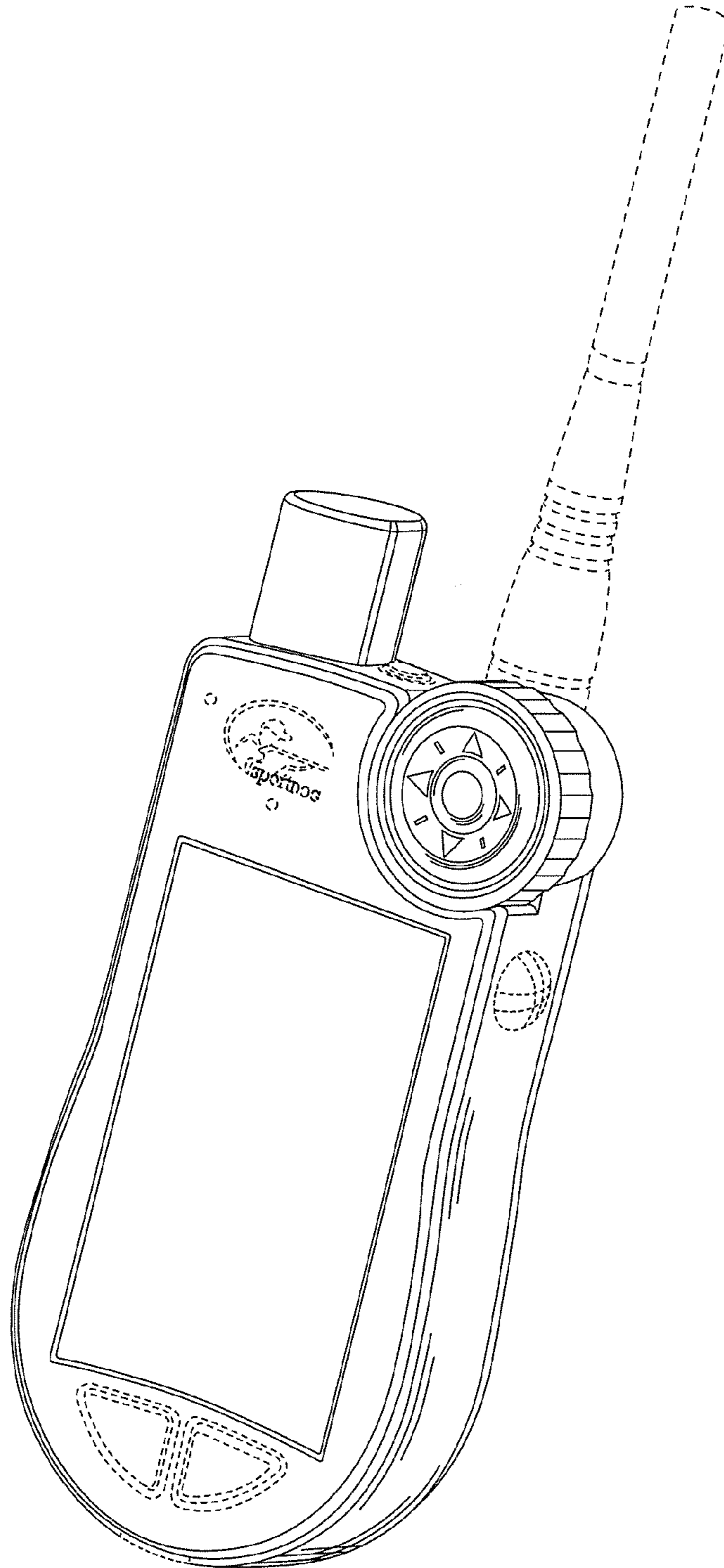


FIG. 1

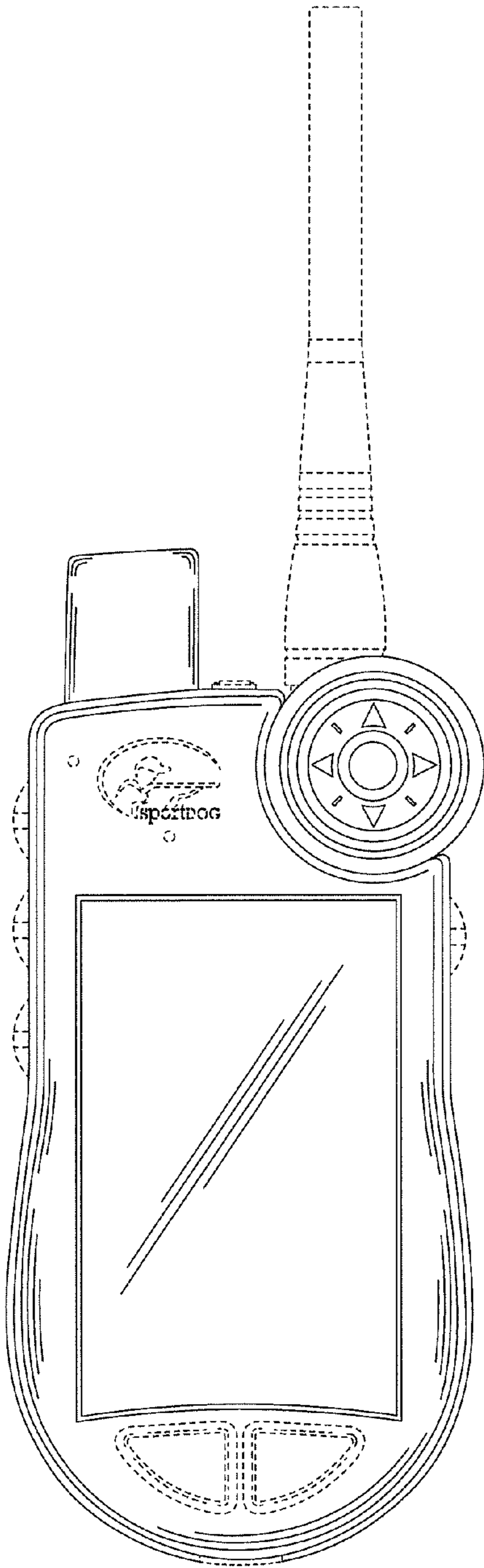


FIG. 2

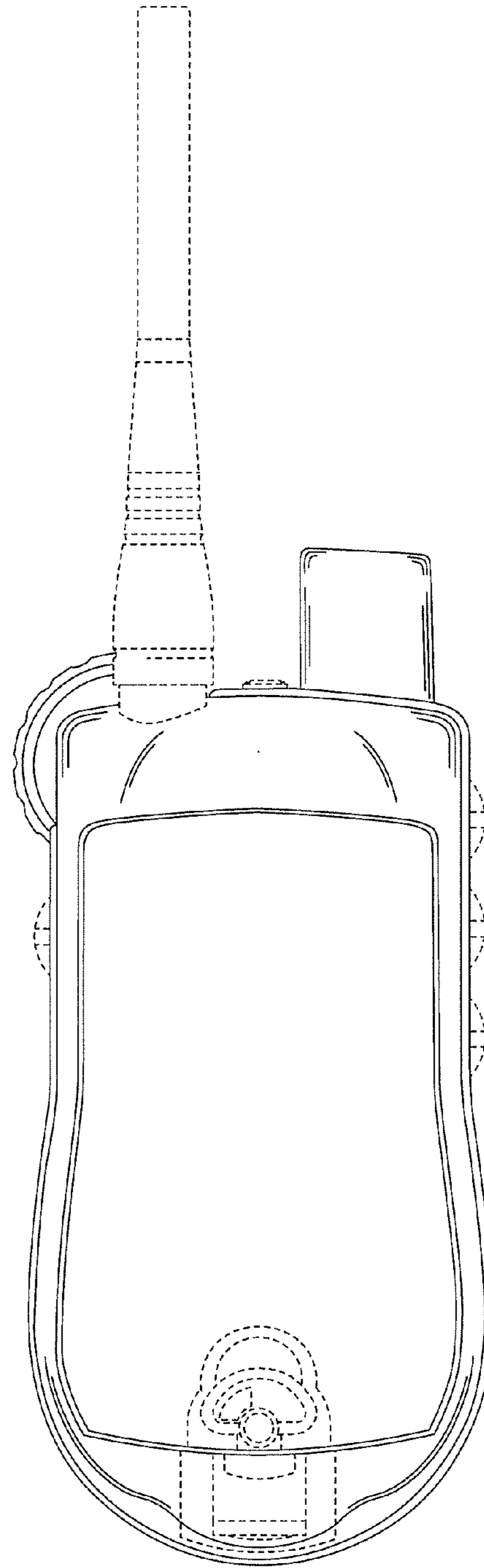


FIG. 3

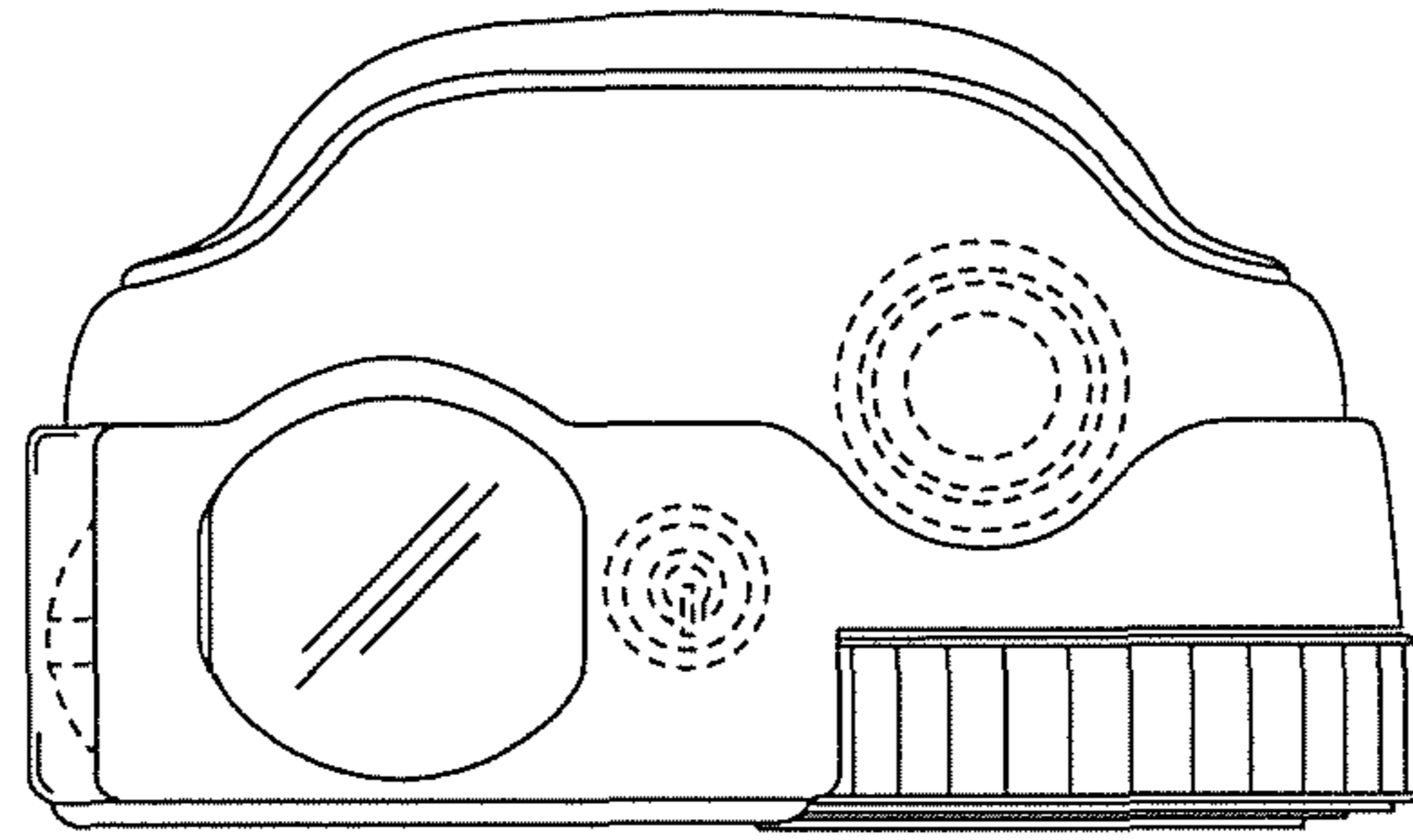


FIG. 4

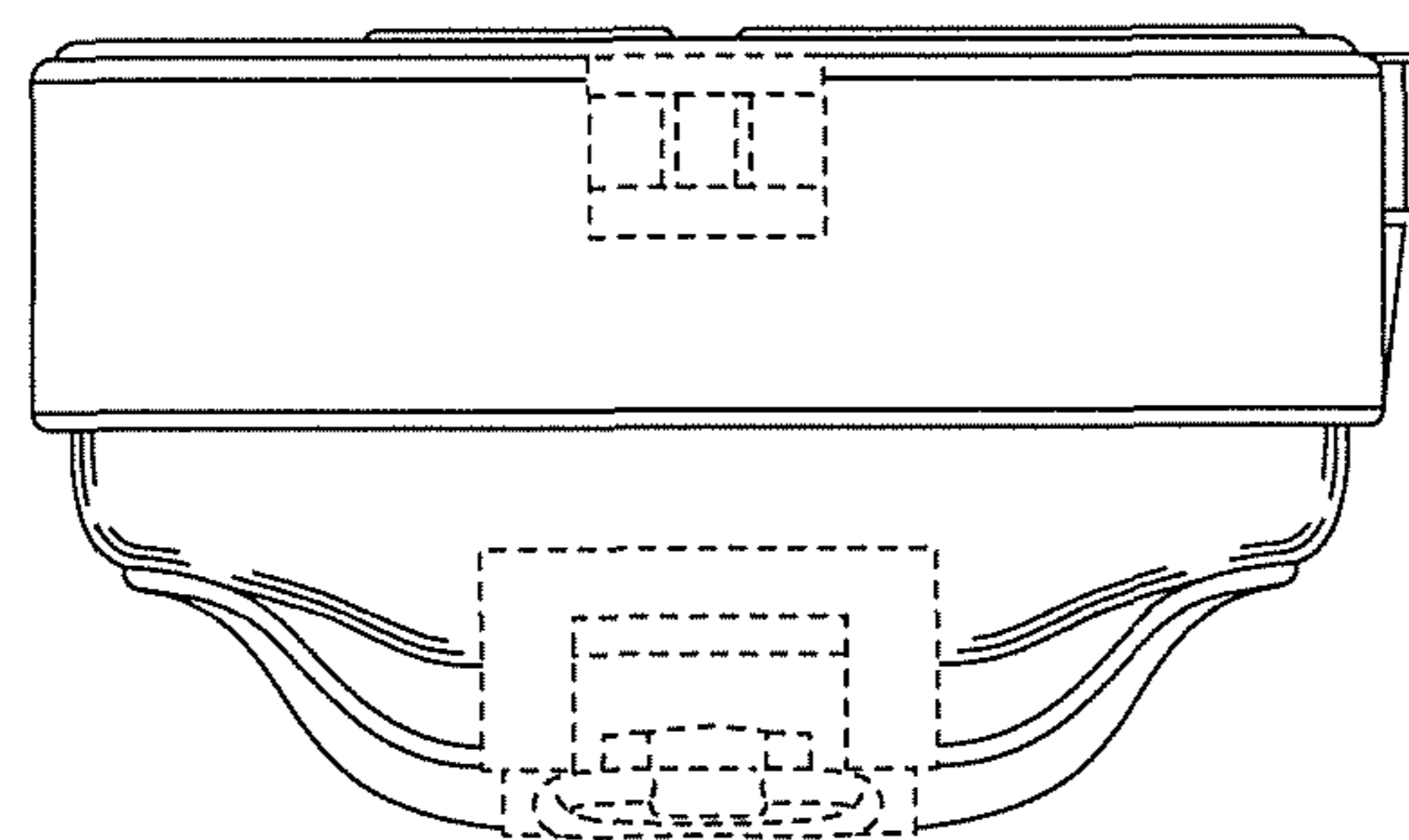


FIG. 5

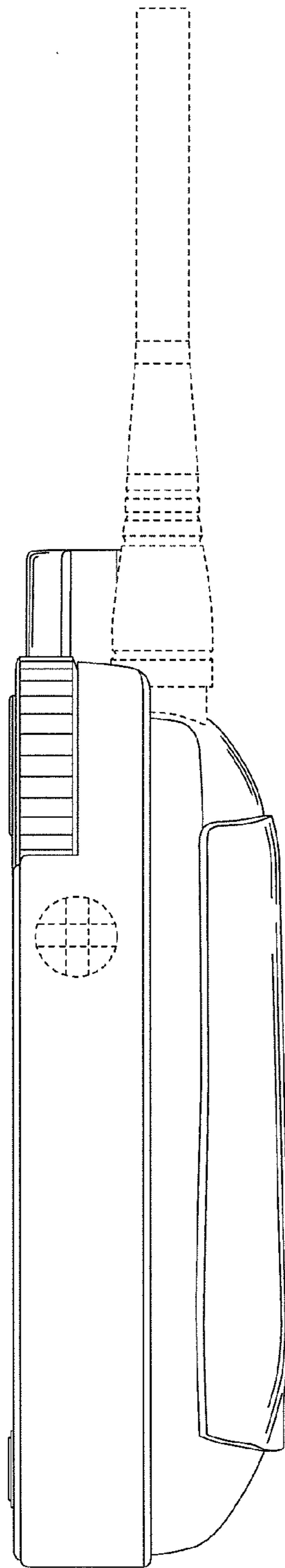


FIG. 6

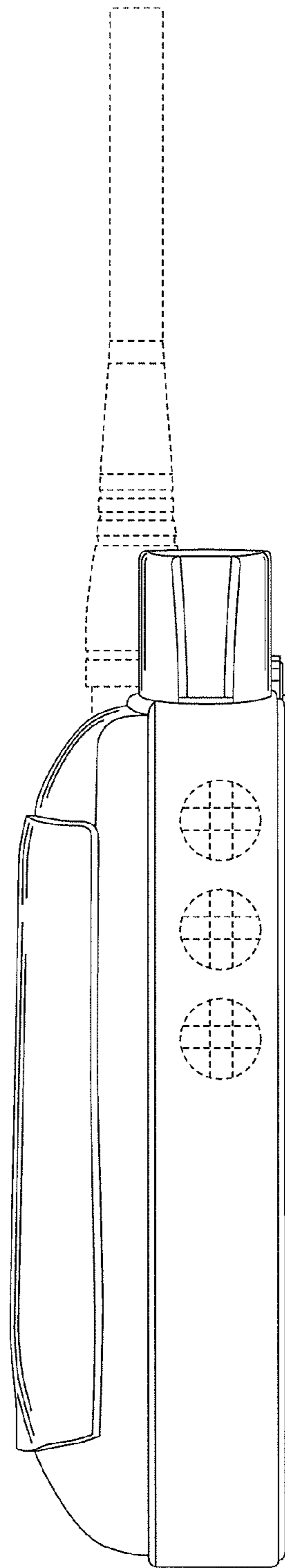


FIG. 7