



US00D736485S

(12) **United States Design Patent**
Jakubowski et al.

(10) **Patent No.:** **US D736,485 S**

(45) **Date of Patent:** **** Aug. 11, 2015**

- (54) **FREE STANDING PET RAMP**
- (71) Applicant: **Vermont Juvenile Furniture Mfg., Inc.**,
West Rutland, VT (US)
- (72) Inventors: **Todd M. Jakubowski**, Rutland, VT
(US); **Chris Jakubowski**, Rutland Town,
VT (US); **Wu Cheng-Lung**, South
Zhongshan (CN)
- (73) Assignee: **Vermont Juvenile Furniture, Mfg.,
Inc.**, West Rutland, VT (US)
- (**) Term: **14 Years**

| | | | | | |
|--------------|------|---------|--------------------|-------|---------|
| 6,715,177 | B1 * | 4/2004 | Lagergren-Julander | | 14/69.5 |
| 7,237,294 | B2 * | 7/2007 | Lensing | | 14/69.5 |
| D599,062 | S * | 8/2009 | Jakubowski et al. | | D30/199 |
| 2008/0302312 | A1 * | 12/2008 | Steffey et al. | | 119/849 |
| 2009/0300859 | A1 * | 12/2009 | Lucht | | 14/69.5 |

* cited by examiner

Primary Examiner — Martie K Holtje

(74) *Attorney, Agent, or Firm* — Volpe & Koenig, P.C.

- (21) Appl. No.: **29/451,570**
- (22) Filed: **Apr. 4, 2013**
- (51) **LOC (10) Cl.** **30-99**
- (52) **U.S. Cl.**
USPC **D30/199**
- (58) **Field of Classification Search**
USPC D30/119, 199; D34/32; 119/847, 849;
14/69.5; 296/61
CPC A01K 1/02; A01K 1/035; A01K 1/0272;
A01K 29/00; E04F 11/00; E04F 11/002;
E04F 2011/005; E04F 2011/007; E04G 27/00;
B65G 69/28; B65G 69/30
See application file for complete search history.

(57) **CLAIM**

The ornamental design for a free standing pet ramp, as shown and described.

DESCRIPTION

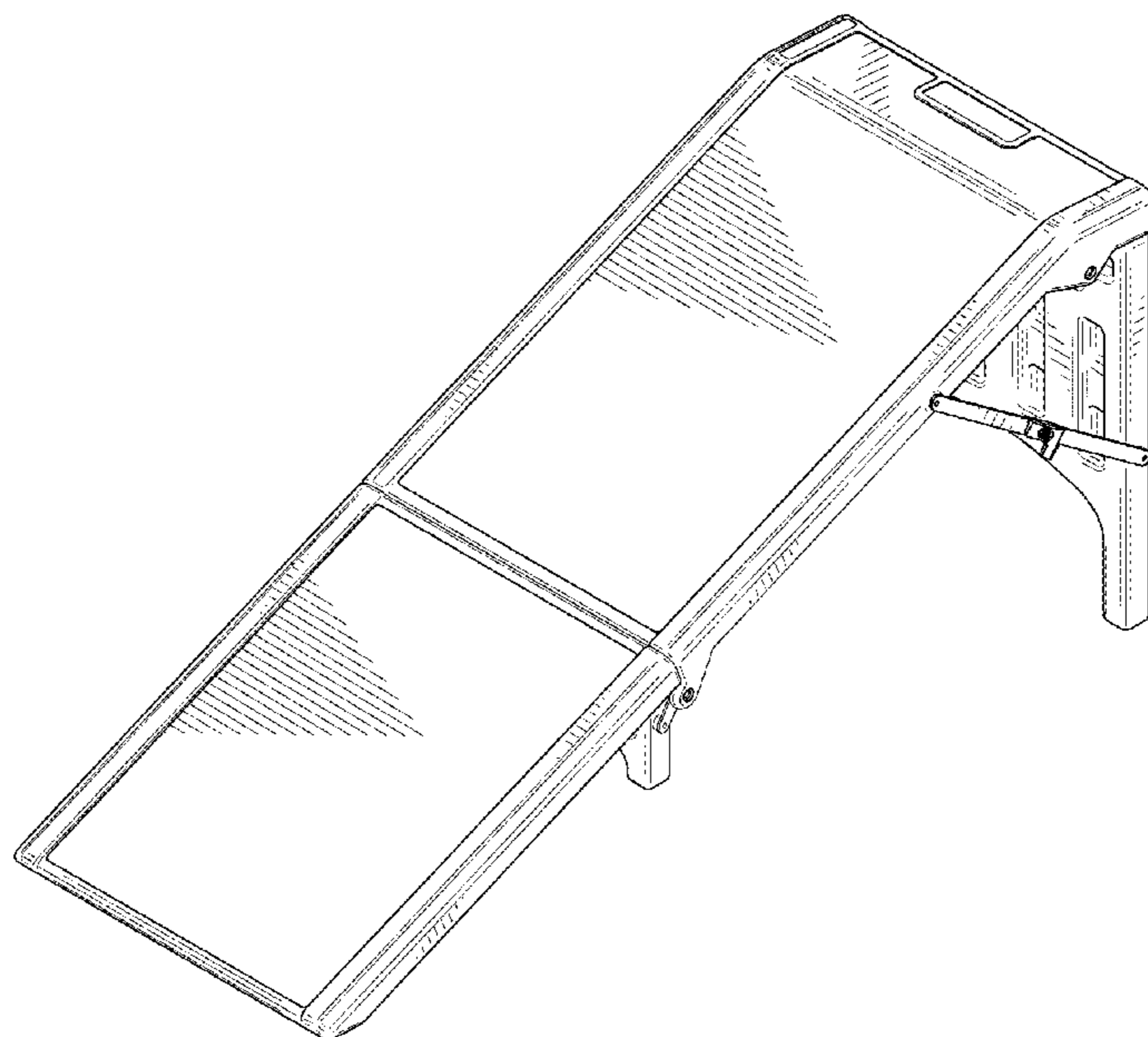
FIG. 1 is a top, front, right perspective view of a free standing pet ramp in accordance with our design;
 FIG. 2 is a front elevational view thereof;
 FIG. 3 is a rear elevational view thereof;
 FIG. 4 is a right side elevational view thereof;
 FIG. 5 is a left side elevational view thereof;
 FIG. 6 is a top plan view thereof;
 FIG. 7 is a bottom view thereof;
 FIG. 8 is a cross-sectional view taken along line in the direction of arrows 8-8 in FIG. 5;
 FIG. 9 is a cross-sectional view taken in the direction of arrows 9-9 in FIG. 5;
 FIG. 10 is a left side elevational view of FIG. 1 in a folded configuration; and,
 FIG. 11 is a top view of FIG. 10.
 The structural features depicted by broken lines in FIGS. 3 and 7 through 9 have been shown for the purpose of illustrating portions of the free standing pet ramp that form no part of the claimed design.

(56) **References Cited**

U.S. PATENT DOCUMENTS

| | | | | | |
|-----------|------|--------|--------------------|-------|---------|
| 963,918 | A * | 7/1910 | Miller | | 14/69.5 |
| D412,224 | S * | 7/1999 | Adler | | D30/119 |
| 6,267,082 | B1 * | 7/2001 | Naragon et al. | | 119/849 |
| 6,378,927 | B1 * | 4/2002 | Parry-Jones et al. | | 296/61 |
| 6,536,064 | B1 * | 3/2003 | Swink et al. | | 14/69.5 |

1 Claim, 8 Drawing Sheets



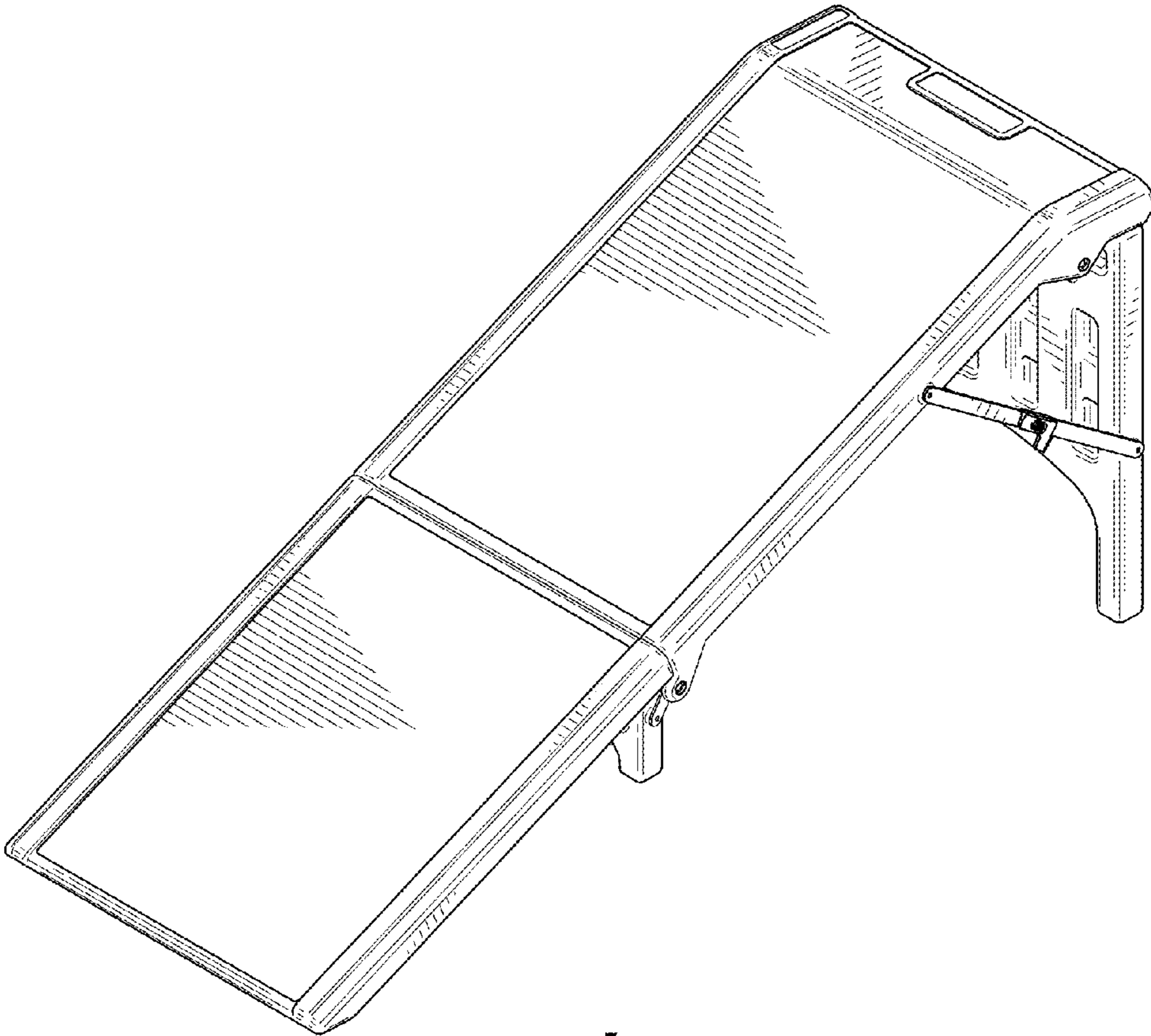


FIG. 1

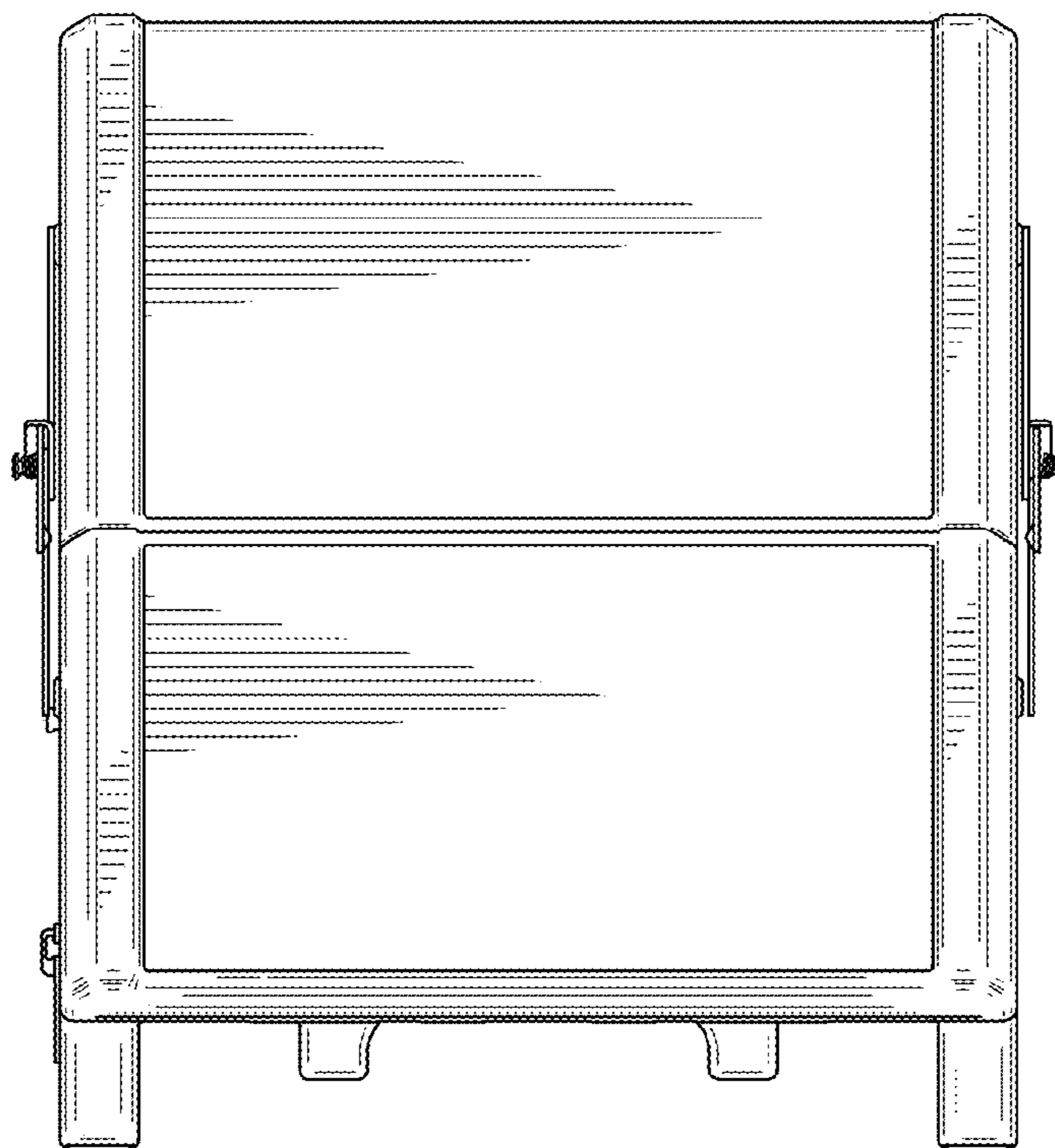


FIG. 2

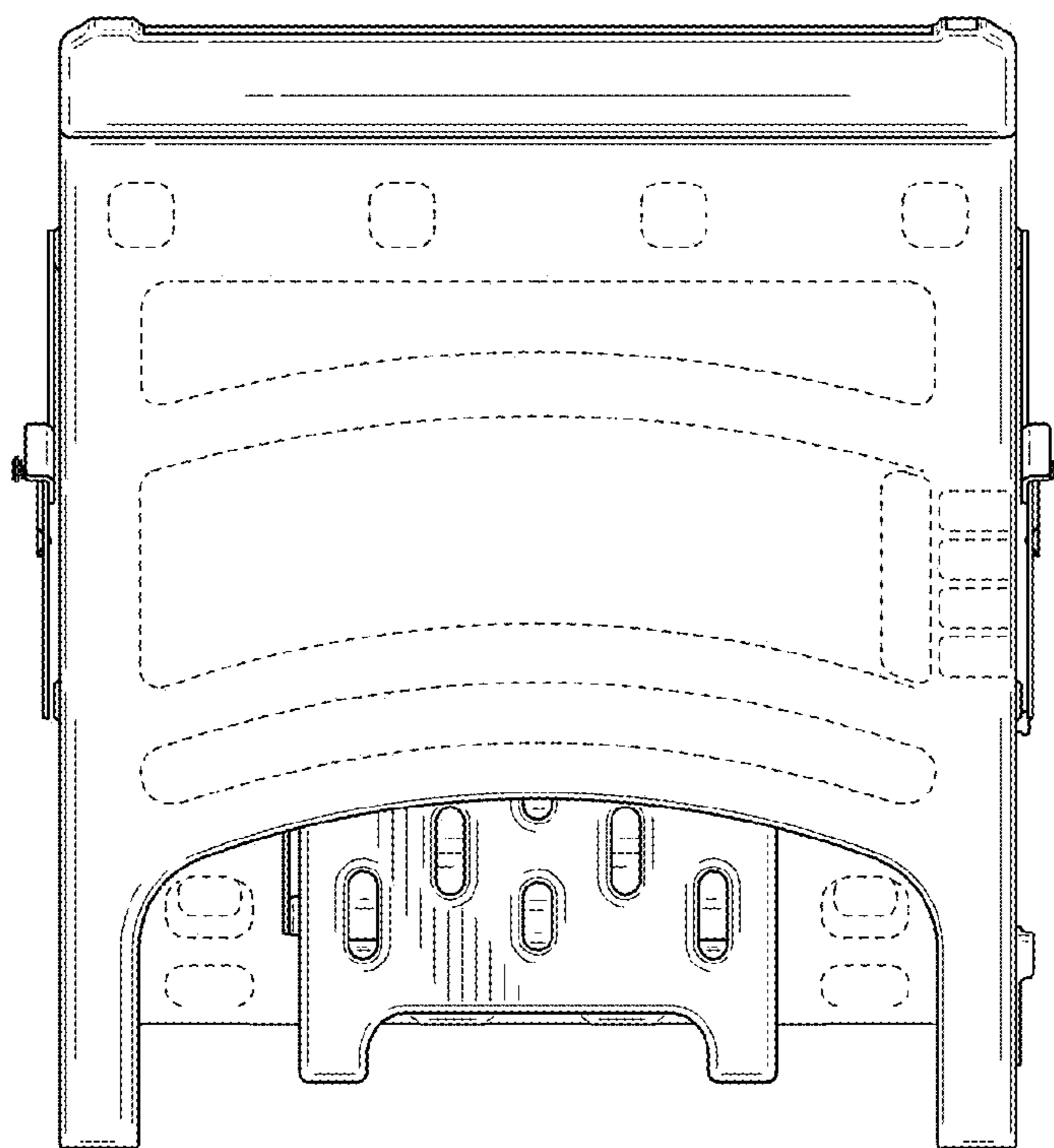


FIG. 3

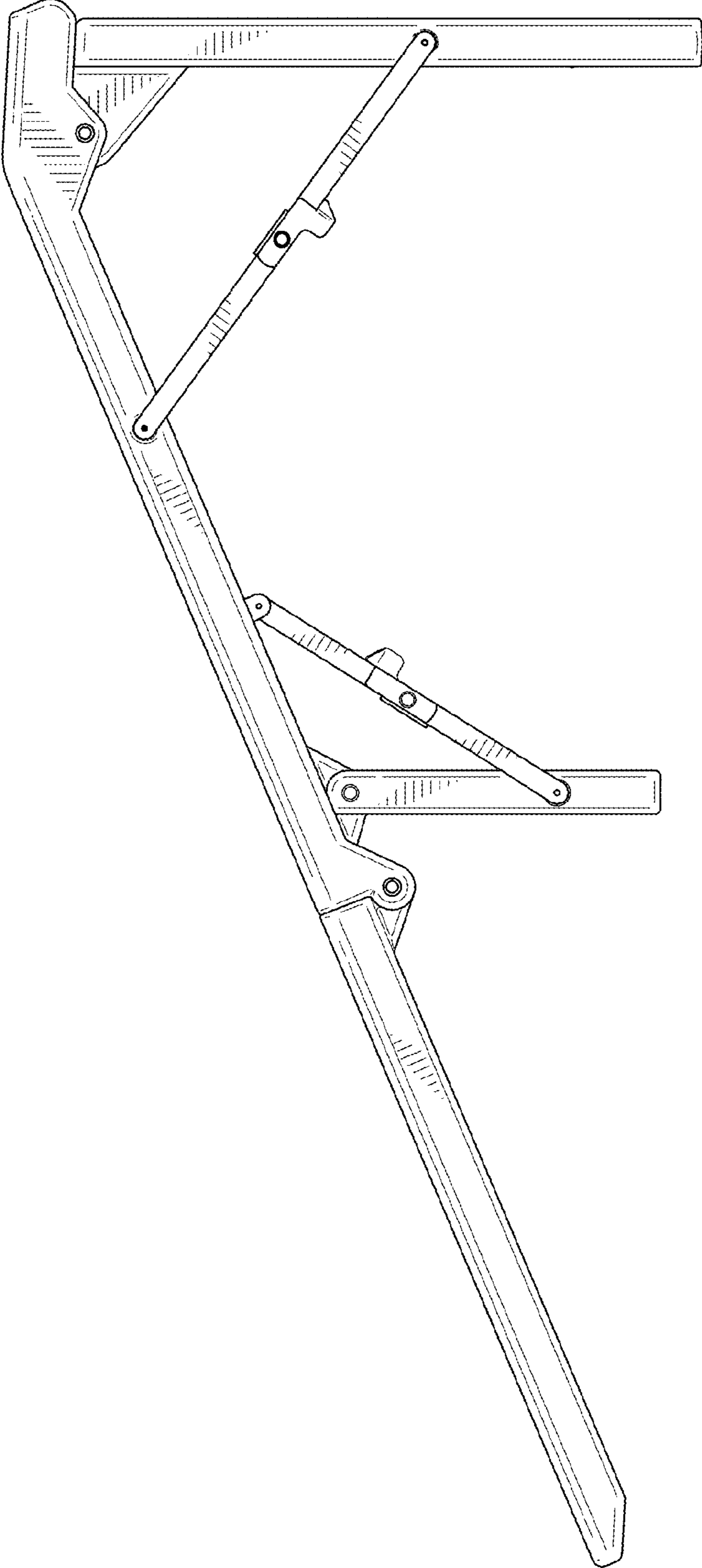


FIG. 4

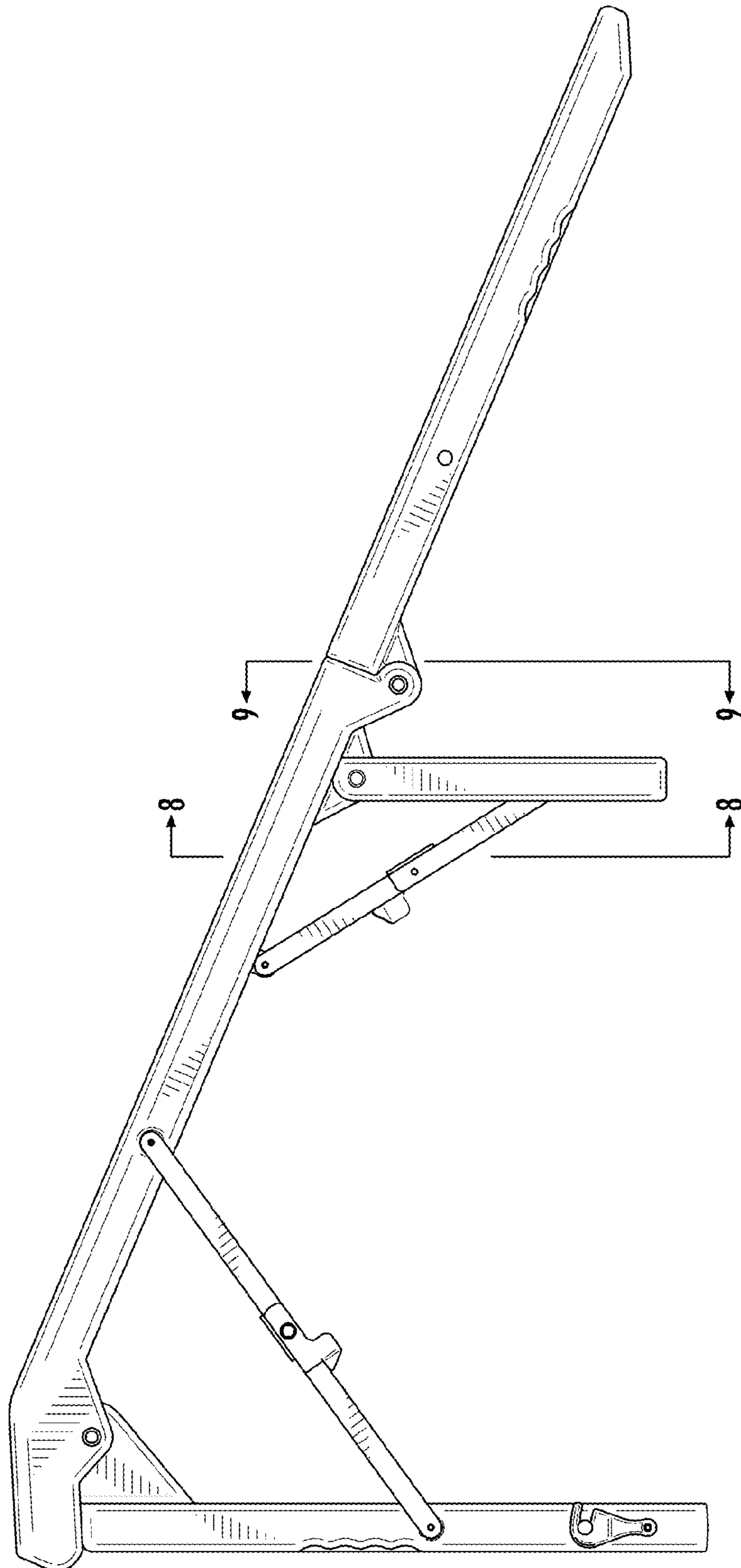


FIG. 5

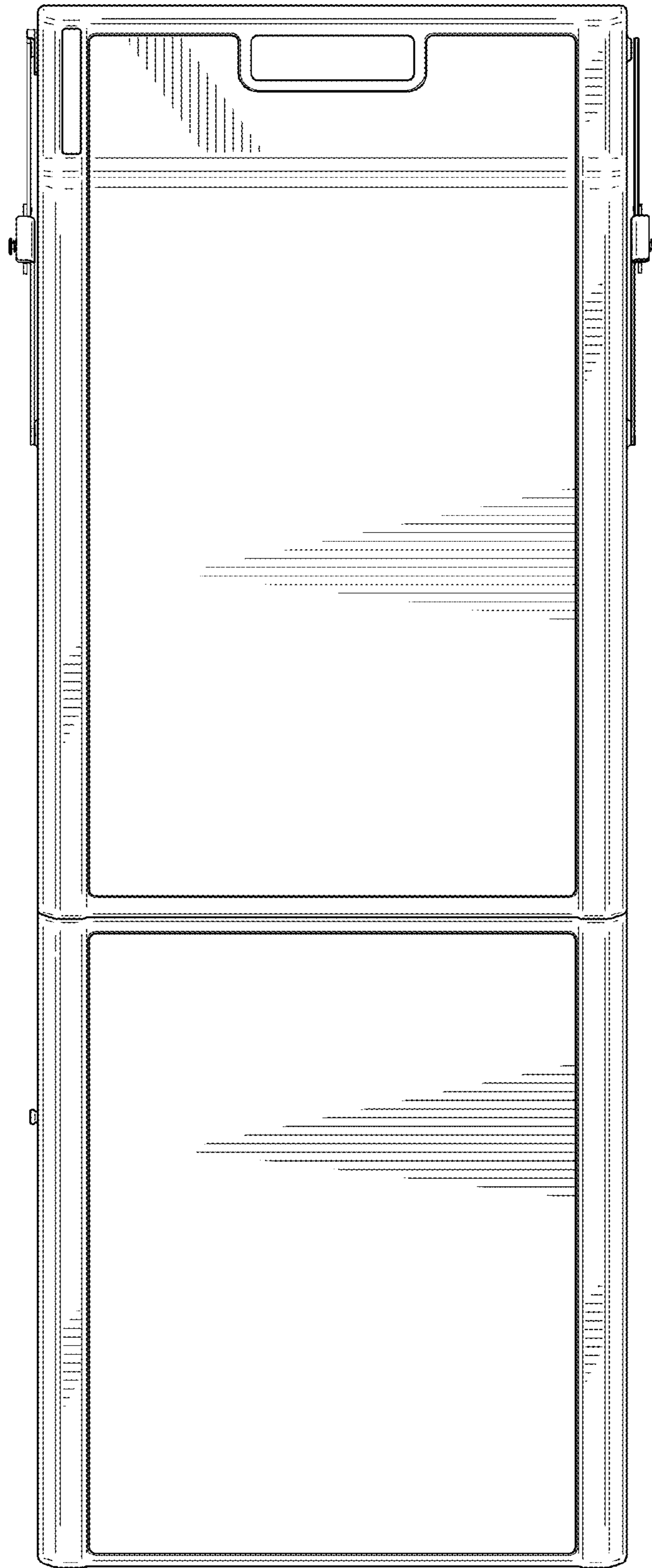


FIG. 6

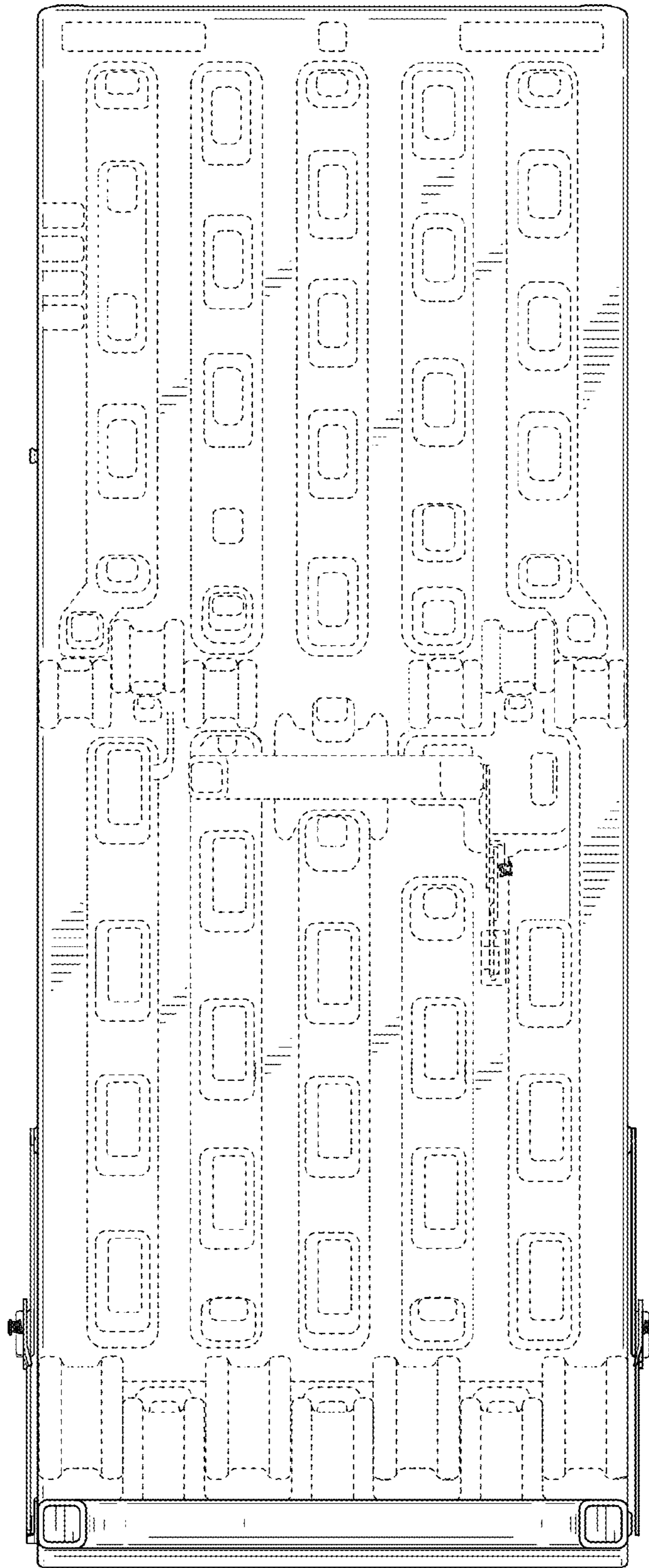


FIG. 7

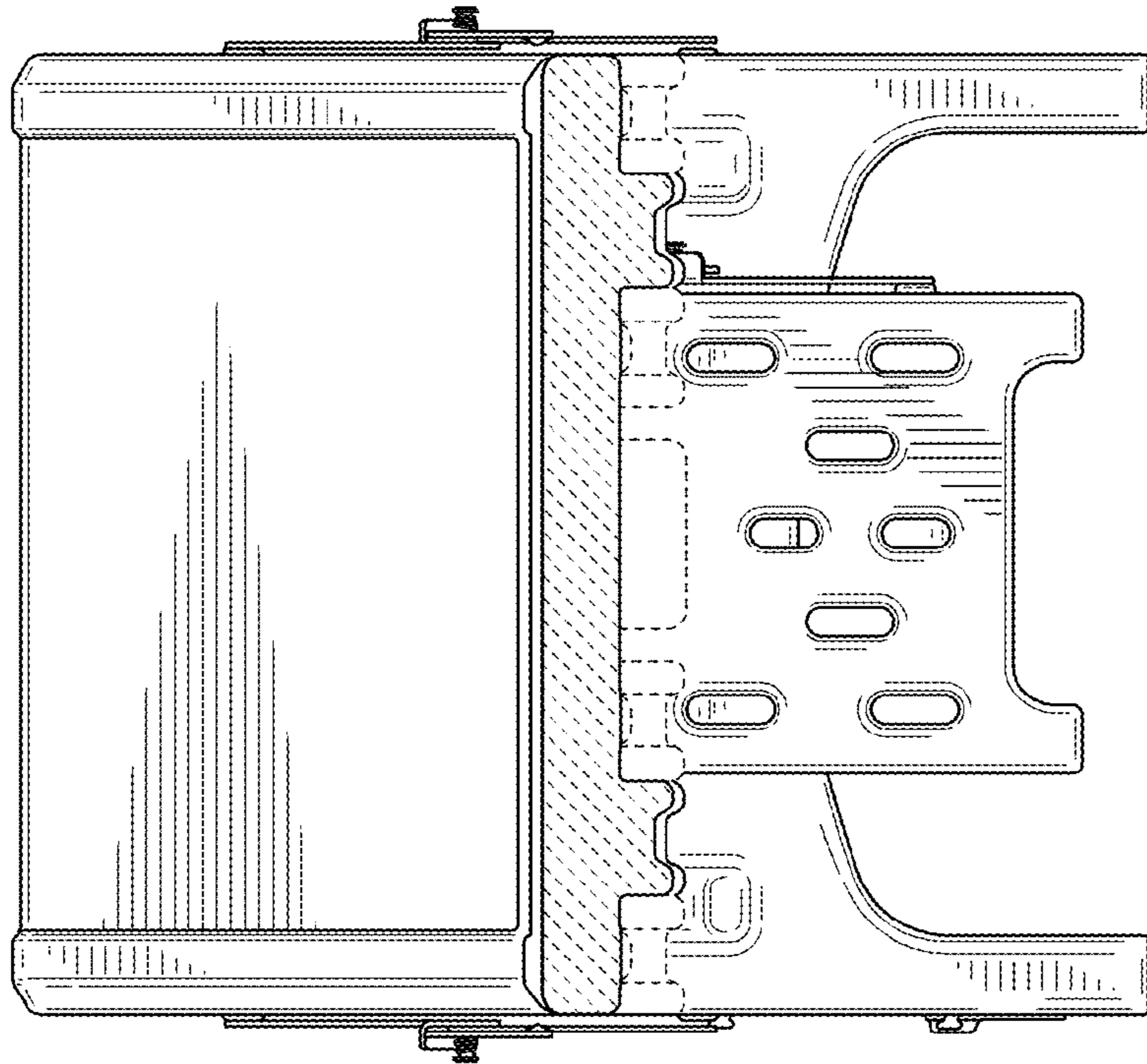


FIG. 9

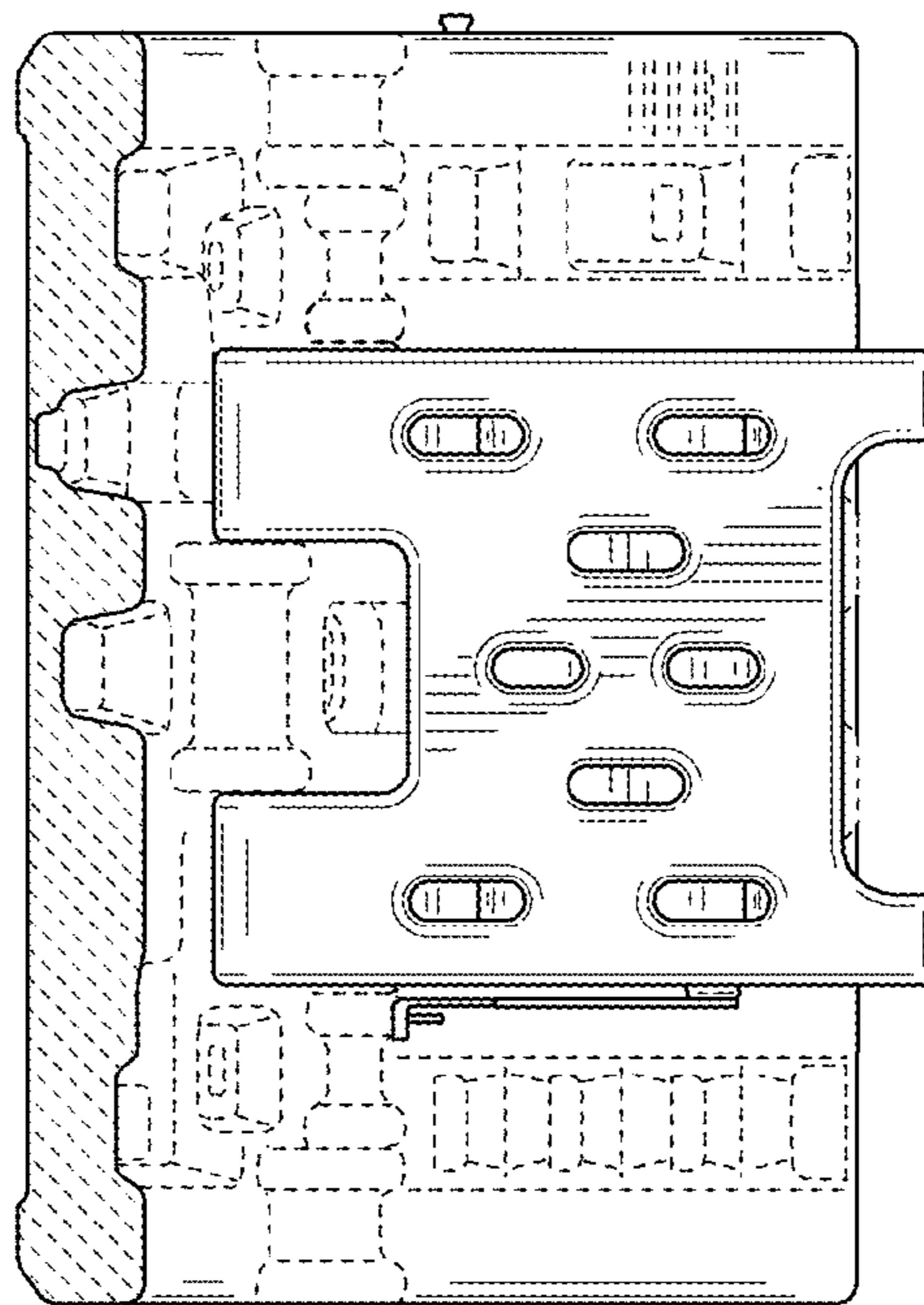


FIG. 8

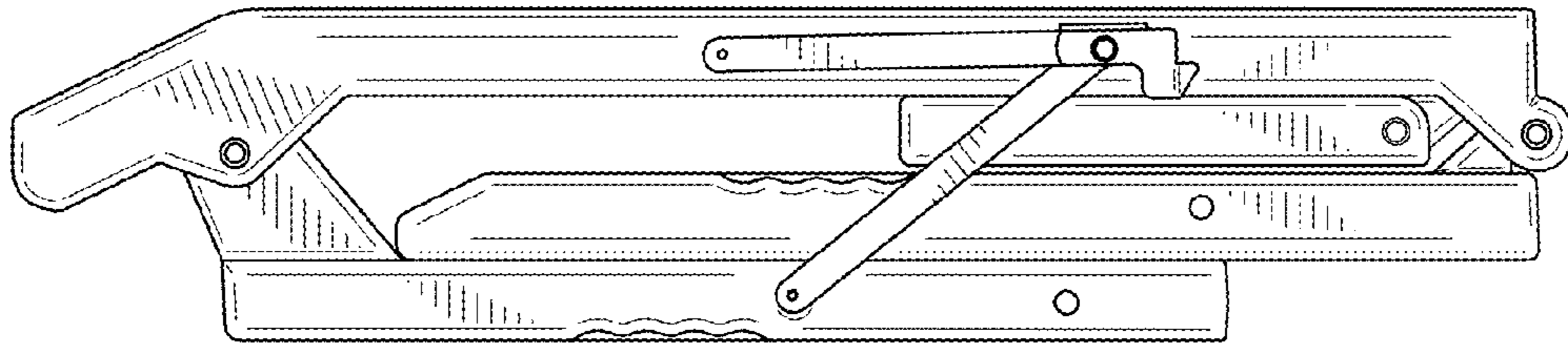


FIG. 10

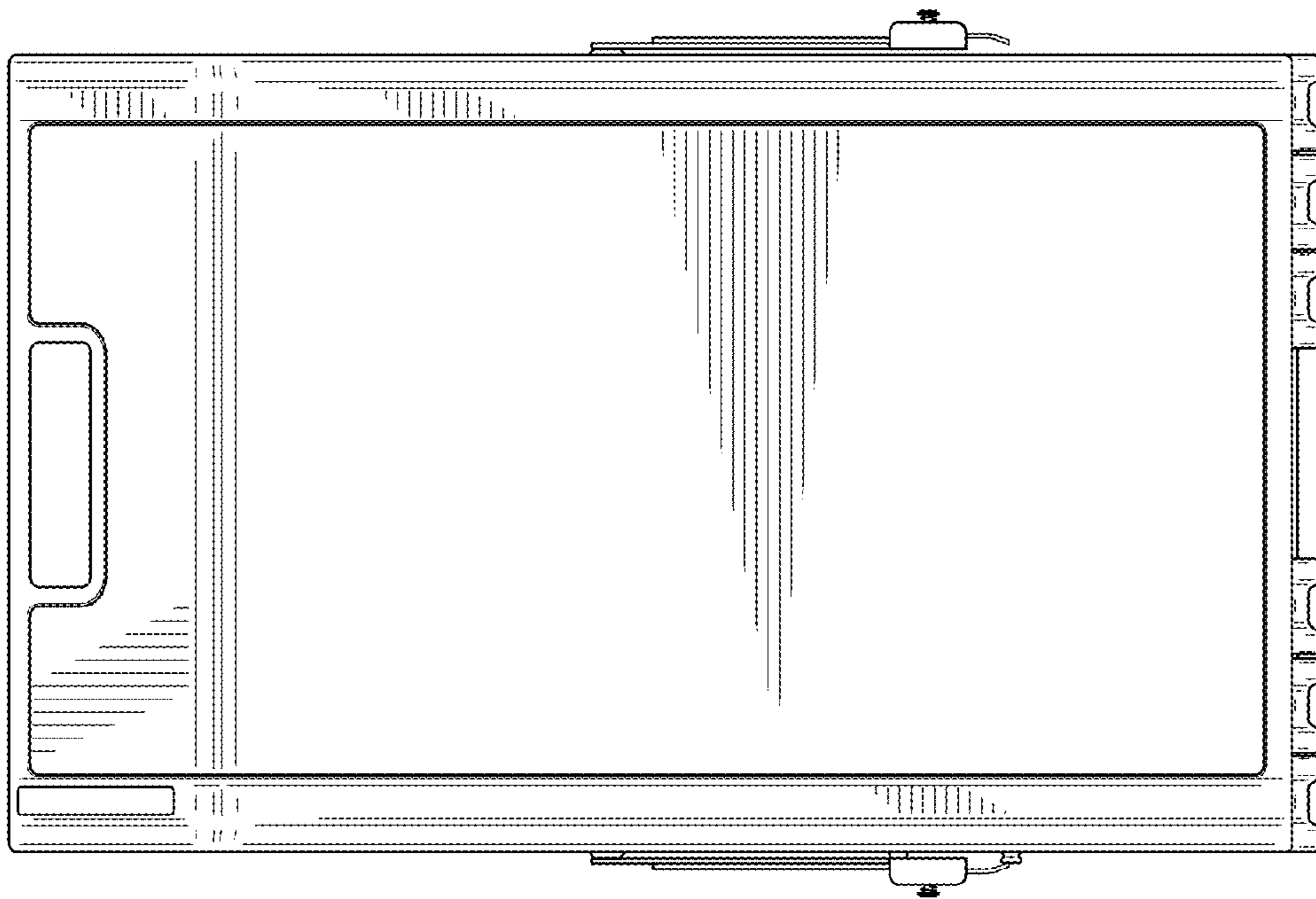


FIG. 11