



US00D736484S

(12) **United States Design Patent**
Jakubowski et al.

(10) **Patent No.:** **US D736,484 S**

(45) **Date of Patent:** **** Aug. 11, 2015**

- (54) **FREE STANDING PET RAMP**
- (71) Applicant: **Vermont Juvenile Furniture Mfg.,** West Rutland, VT (US)
- (72) Inventors: **Todd M. Jakubowski,** Rutland, VT (US); **Chris Jakubowski,** Rutland Town, VT (US); **Wu Cheng-Lung,** South Zhongshan (CN)
- (73) Assignee: **Vermont Juvenile Furniture, Mfg., Inc.,** West Rutland, VT (US)
- (**) Term: **14 Years**
- (21) Appl. No.: **29/451,510**
- (22) Filed: **Apr. 3, 2013**
- (51) **LOC (10) Cl.** **30-99**
- (52) **U.S. Cl.**
USPC **D30/199**
- (58) **Field of Classification Search**
USPC D30/119, 199; D34/32; 119/847, 849; 14/69.5; 296/61
CPC A01K 1/02; A01K 1/035; A01K 1/0272; A01K 29/00; E04F 11/00; E04F 11/002; E04F 2011/005; E04F 2011/007; E04G 27/00; B65G 69/28; B65G 69/30
See application file for complete search history.

D420,175	S *	2/2000	Garrels, Jr.	D30/119
6,267,082	B1 *	7/2001	Naragon et al.	119/849
6,378,927	B1 *	4/2002	Parry-Jones et al.	296/61
6,536,064	B1 *	3/2003	Swink et al.	14/69.5
6,715,177	B1 *	4/2004	Lagergren-Julander	14/69.5
D599,062	S *	8/2009	Jakubowski et al.	D30/199
8,117,994	B1 *	2/2012	Goodlow	119/849
D706,513	S *	6/2014	LaBarbera et al.	D34/32
2008/0105215	A1 *	5/2008	Simpson et al.	119/849
2008/0302312	A1 *	12/2008	Steffey et al.	119/849
2009/0300859	A1 *	12/2009	Lucht	14/69.5

* cited by examiner

Primary Examiner — Martie K Holtje

(74) *Attorney, Agent, or Firm* — Volpe and Koenig, P.C.

(57) **CLAIM**

The ornamental design for a free standing pet ramp, as shown and described.

DESCRIPTION

FIG. 1 is a top, front, left perspective view of a free standing pet ramp in accordance with our design; FIG. 2 is a front elevational view thereof; FIG. 3 is a rear elevational view thereof; FIG. 4 is a right side elevational view thereof; FIG. 5 is a left side elevational view thereof; FIG. 6 is a top plan view thereof; FIG. 7 is a bottom view thereof; FIG. 8 is a left side elevational view of FIG. 1 in a folded configuration; and, FIG. 9 is a top plan view of FIG. 8.

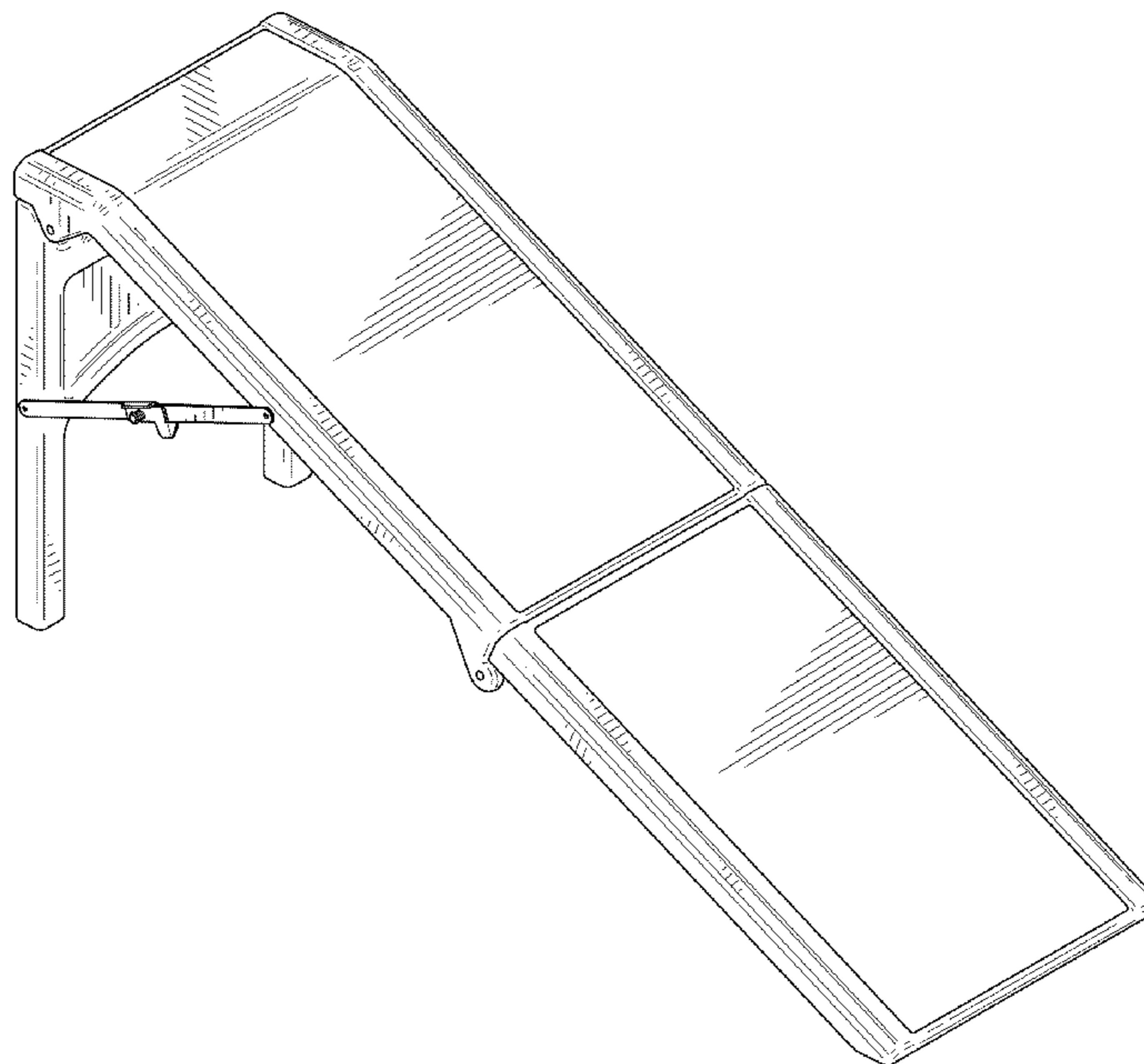
The structural features depicted by broken lines in FIGS. 3, 7, and 9 have been shown for the purpose of illustrating portions of the free standing pet ramp that form no part of the claimed design.

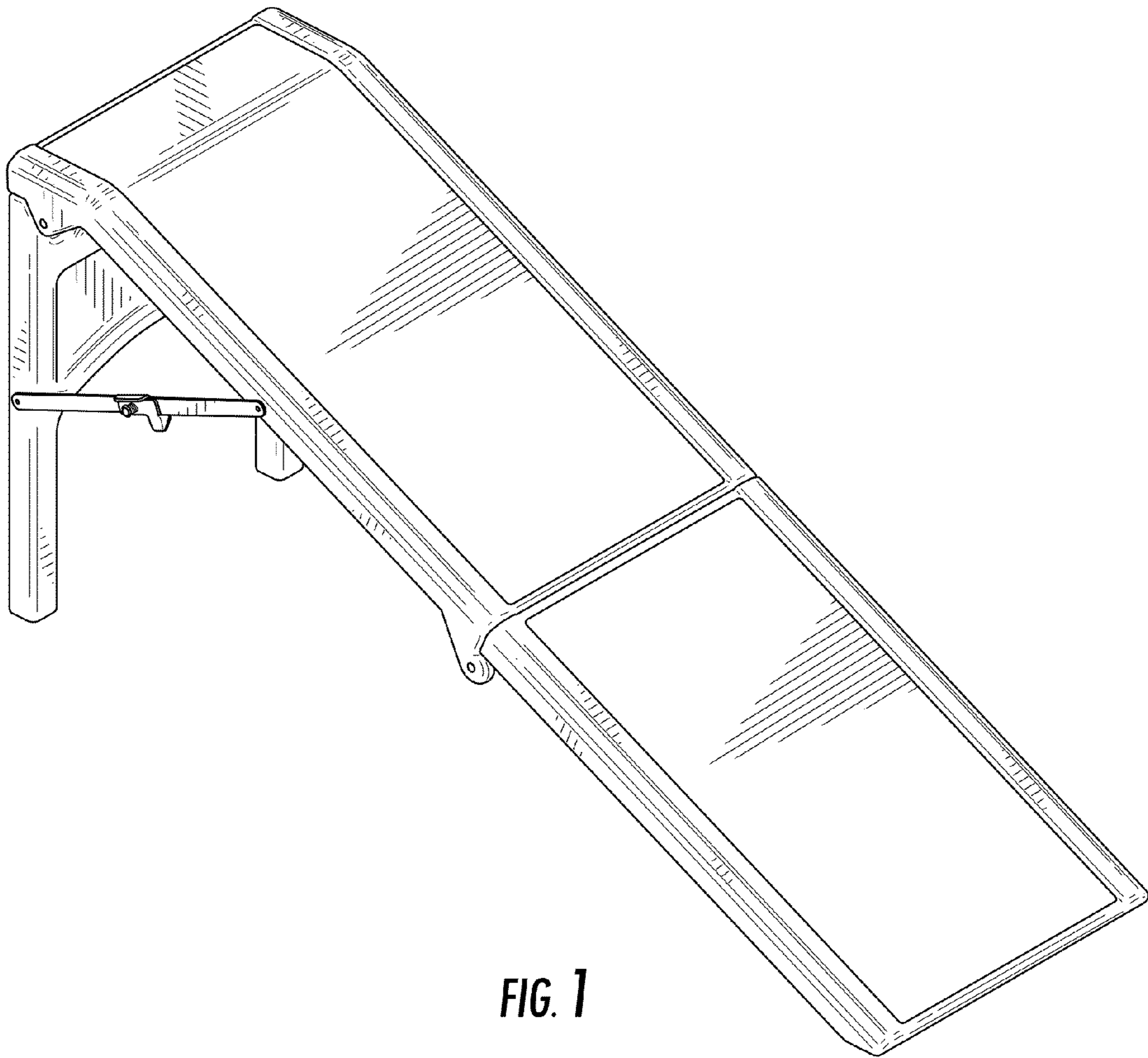
1 Claim, 7 Drawing Sheets

(56) **References Cited**

U.S. PATENT DOCUMENTS

963,918	A *	7/1910	Miller	14/69.5
D300,073	S *	2/1989	Crump	D34/32
D382,676	S *	8/1997	Holbrook	D30/119
D412,224	S *	7/1999	Adler	D30/119





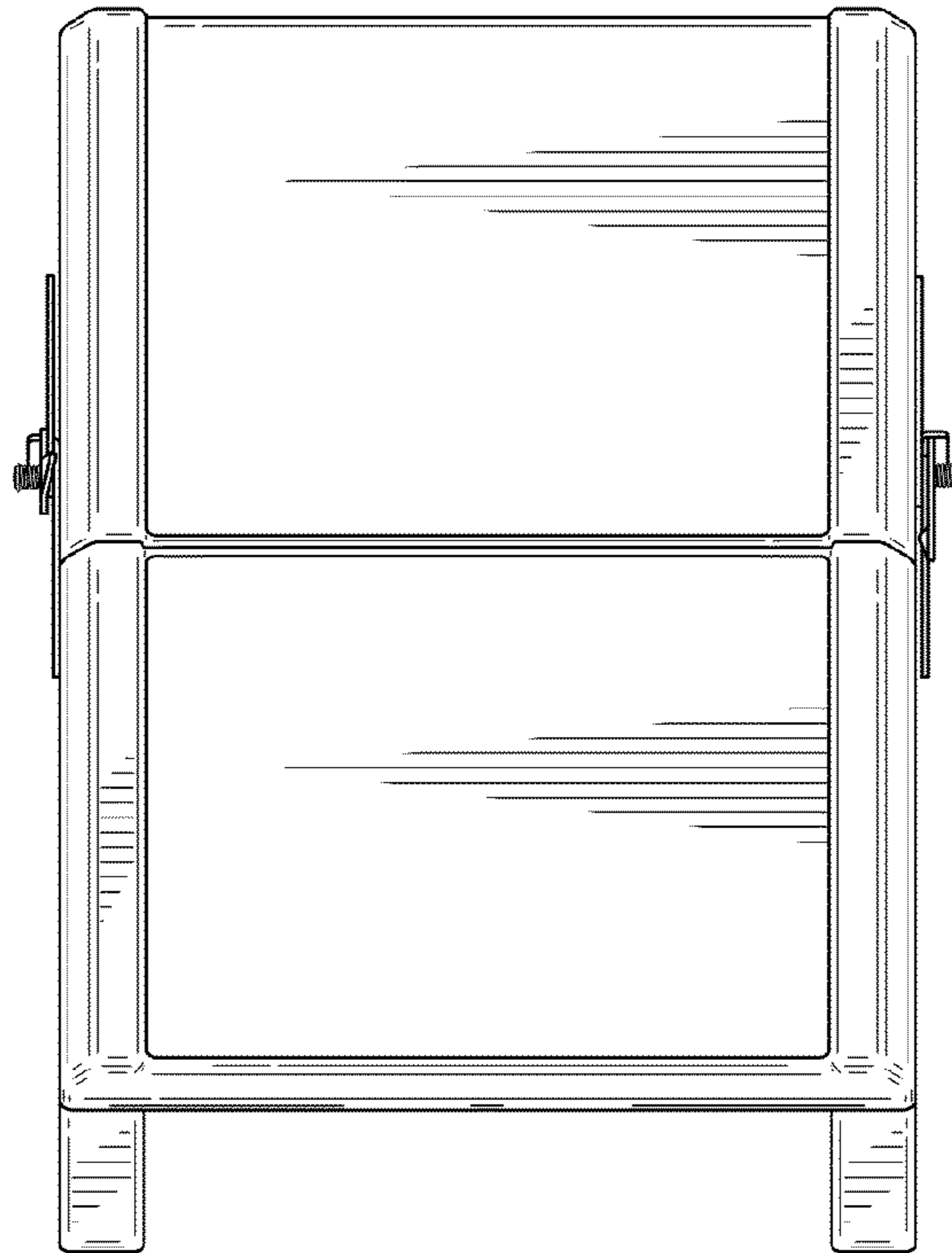


FIG. 2

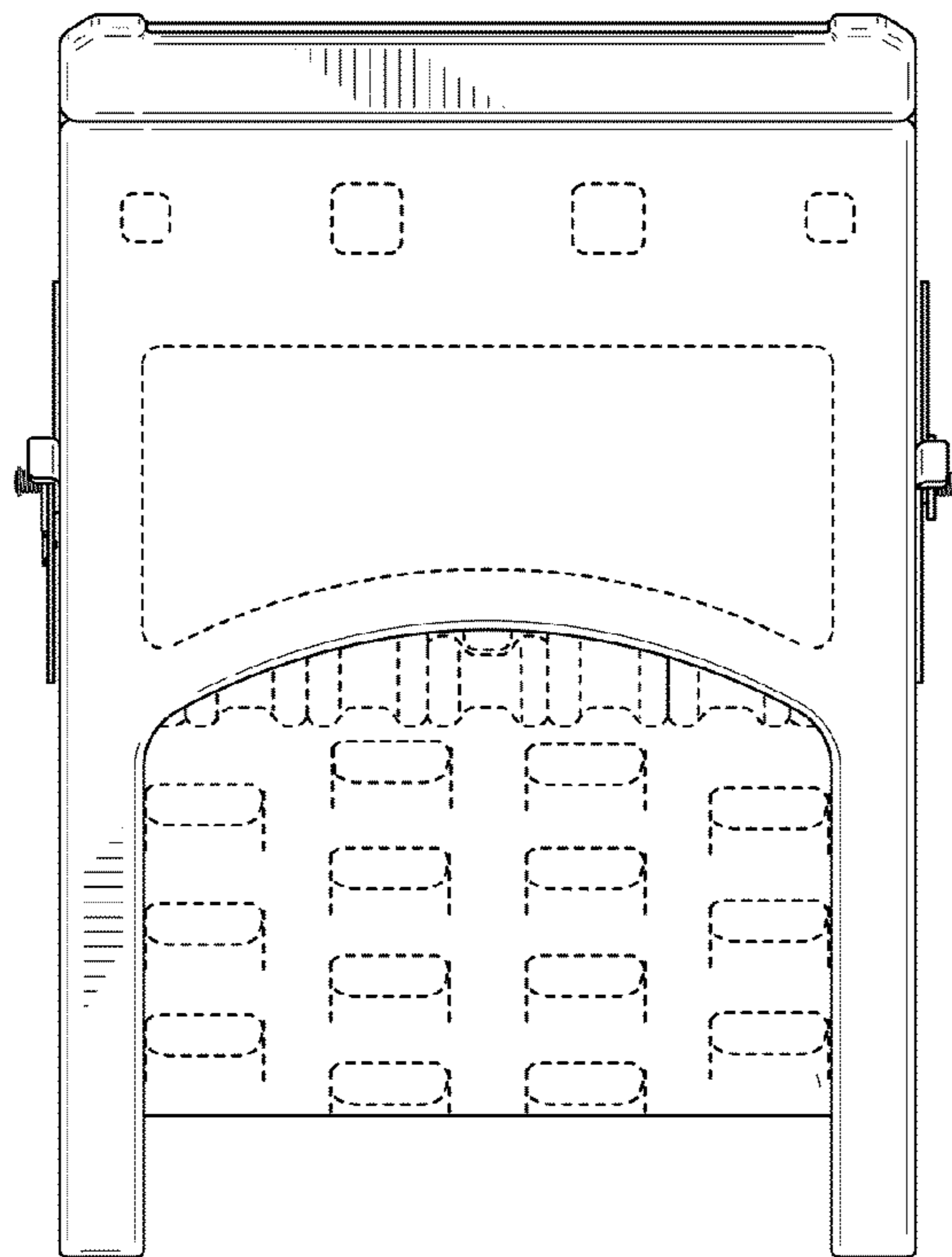


FIG. 3

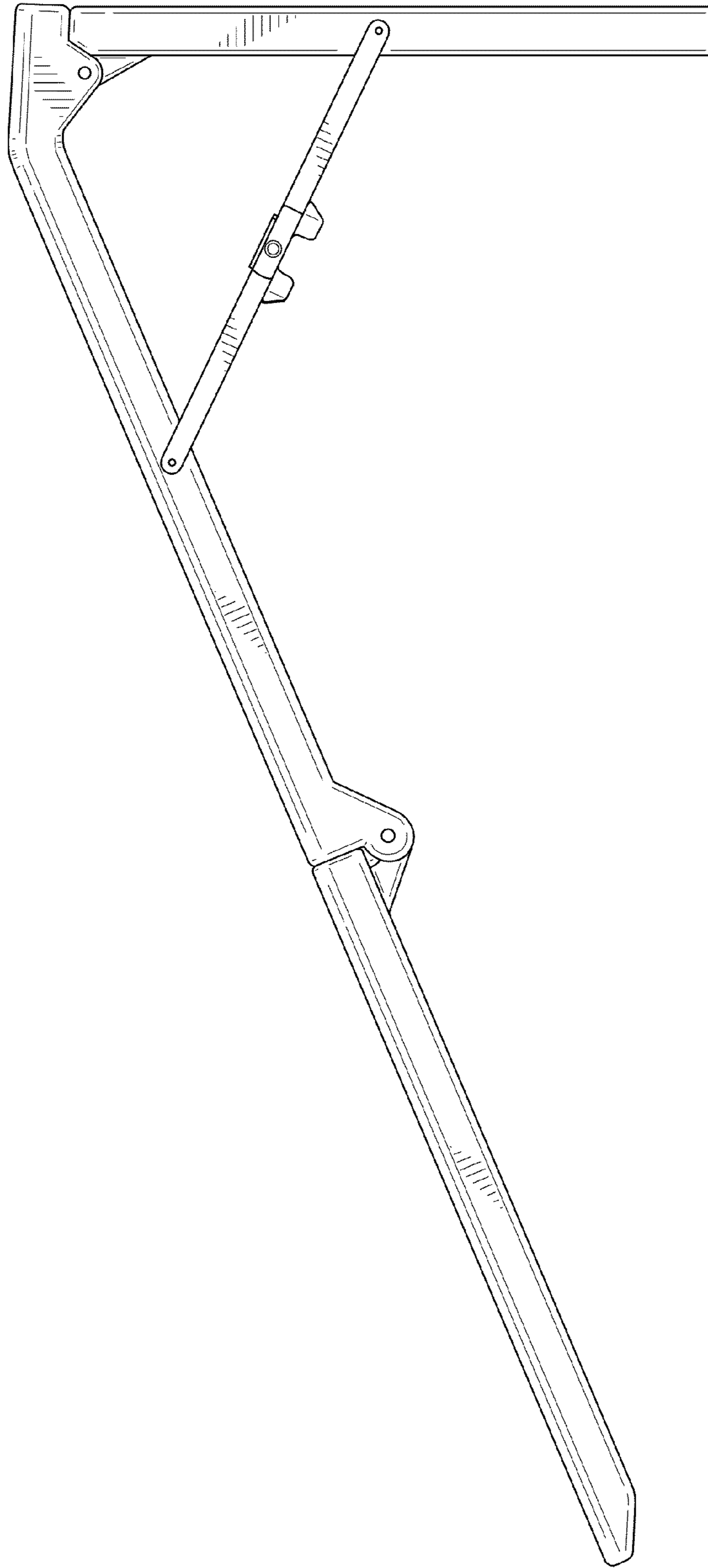


FIG. 4

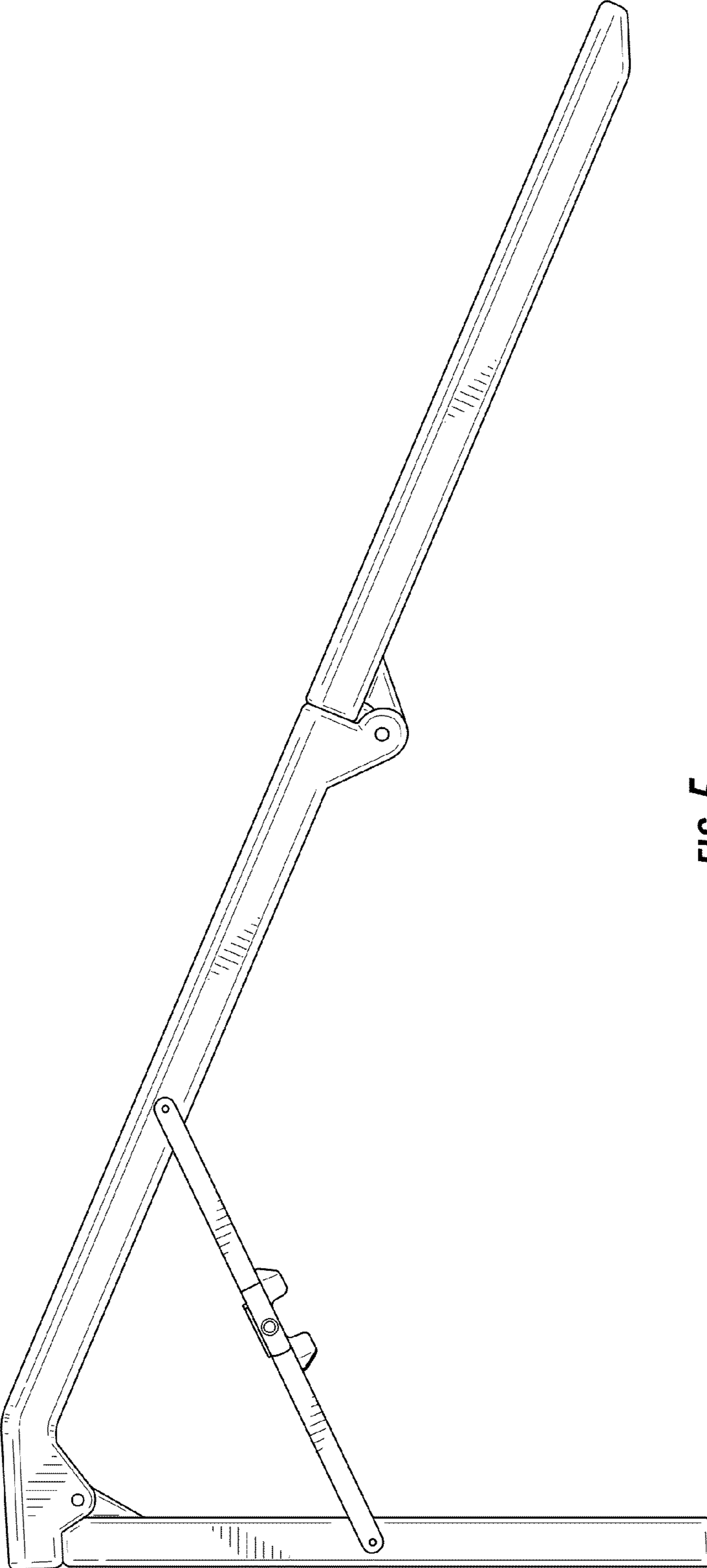


FIG. 5

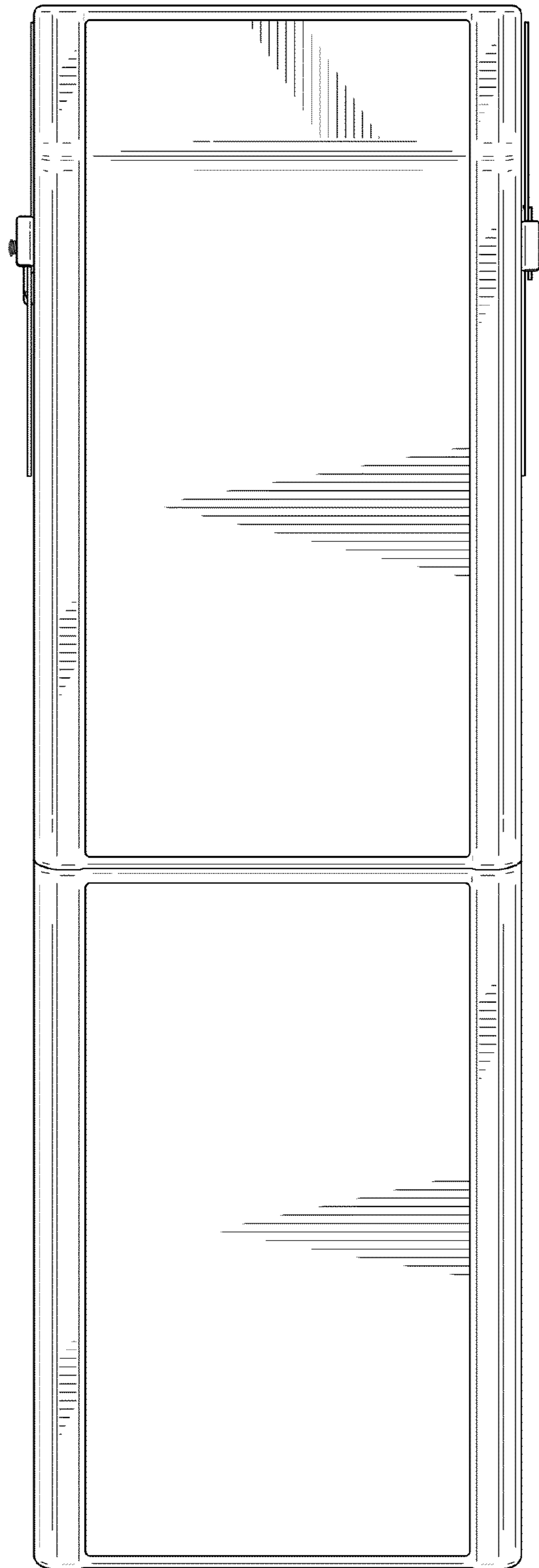


FIG. 6

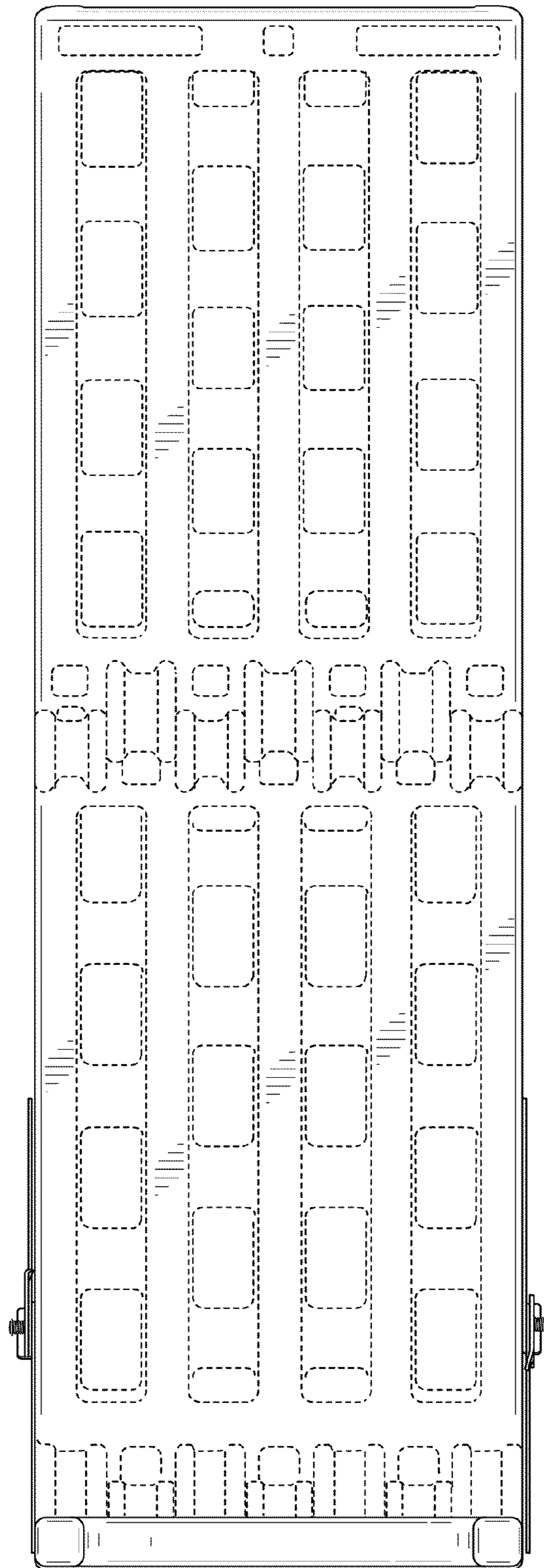


FIG. 7

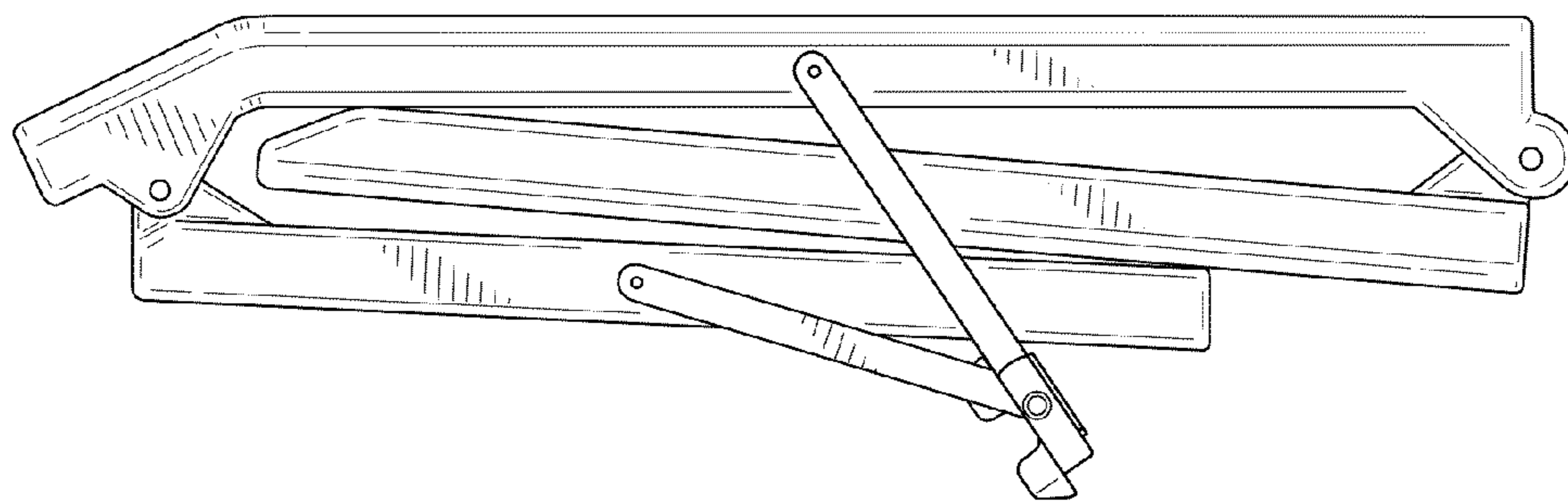


FIG. 8

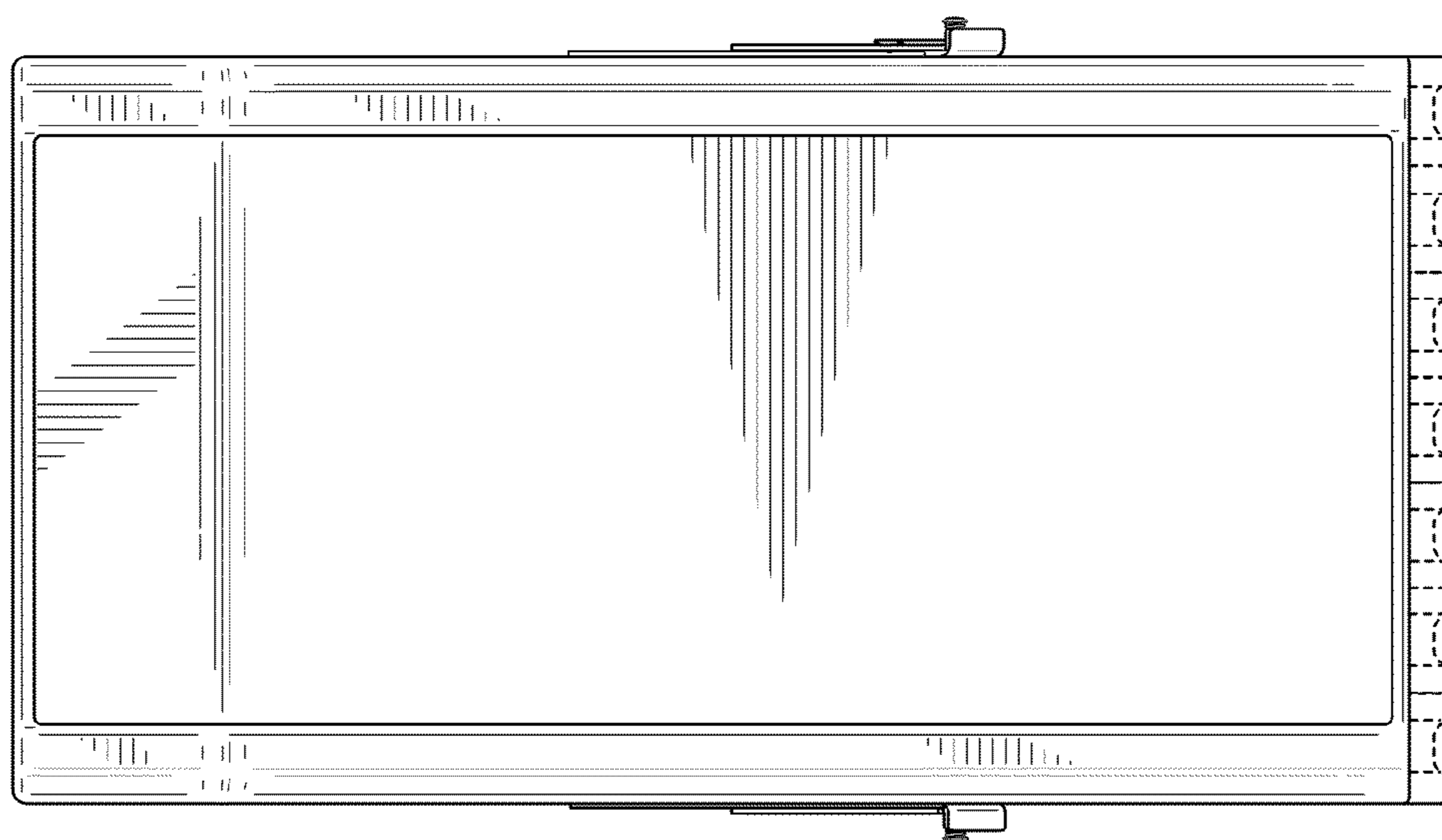


FIG. 9