



US00D736483S

(12) **United States Design Patent**
Crane

(10) **Patent No.:** **US D736,483 S**

(45) **Date of Patent:** **** Aug. 11, 2015**

(54) **TRANSLUCENT PET TOY**

(71) Applicant: **The Kong Company, LLC**, Golden, CO
(US)

(72) Inventor: **Sabine S. Crane**, San Clemente, CA
(US)

(**) Term: **14 Years**

(21) Appl. No.: **29/479,920**

(22) Filed: **Jan. 21, 2014**

(51) **LOC (10) Cl.** **30-99**

(52) **U.S. Cl.**
USPC **D30/160**

(58) **Field of Classification Search**
USPC D30/160; D21/386, 707, 712-713;
D24/194-195; 119/702, 707-711;
273/154; 446/324, 488; 473/281, 570,
473/594-596, 614; 482/45, 110
See application file for complete search history.

(56) **References Cited**

U.S. PATENT DOCUMENTS

D241,869 S * 10/1976 Finspang D21/713
D242,865 S * 12/1976 Stamm D21/682
D363,752 S * 10/1995 Shumber et al. D21/678
6,003,470 A * 12/1999 Budman 119/711

D453,240 S * 1/2002 Simon D30/160
D503,758 S * 4/2005 Crane et al. D21/707
7,044,820 B2 * 5/2006 Ladisa 441/81
D545,509 S * 6/2007 Wang D30/160
D556,275 S * 11/2007 Crane et al. D21/713
7,326,122 B2 * 2/2008 Park 482/110
D568,950 S * 5/2008 Yewer, Jr. D21/662
D651,671 S * 1/2012 Ross et al. D21/680
D679,351 S * 4/2013 Reddy D21/713
D707,303 S * 6/2014 Saber et al. D21/707
2013/0074780 A1 * 3/2013 Wechsler 119/710

* cited by examiner

Primary Examiner — Cathy A MacCormac

(74) *Attorney, Agent, or Firm* — Burch Dallmann LLP

(57) **CLAIM**

The ornamental design for a translucent pet toy, as shown and described.

DESCRIPTION

FIG. 1 is a perspective view of a translucent pet toy showing my new design;

FIG. 2 is a front view thereof;

FIG. 3 is a rear view thereof;

FIG. 4 is a right side view thereof;

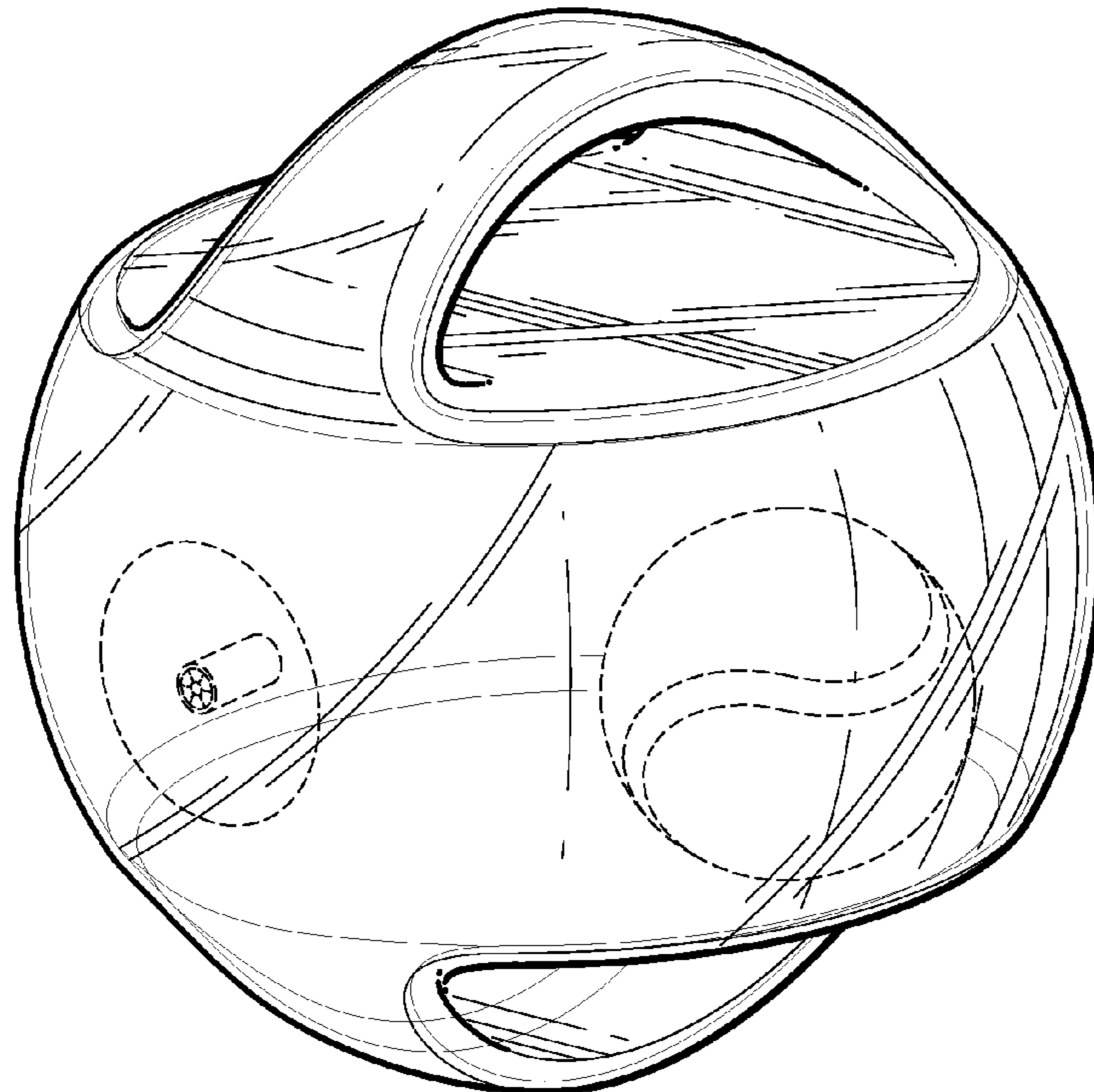
FIG. 5 is a left side view thereof;

FIG. 6 is a top side thereof; and,

FIG. 7 is a bottom view thereof.

The broken lines are for illustration only and form no part of the claimed design.

1 Claim, 4 Drawing Sheets



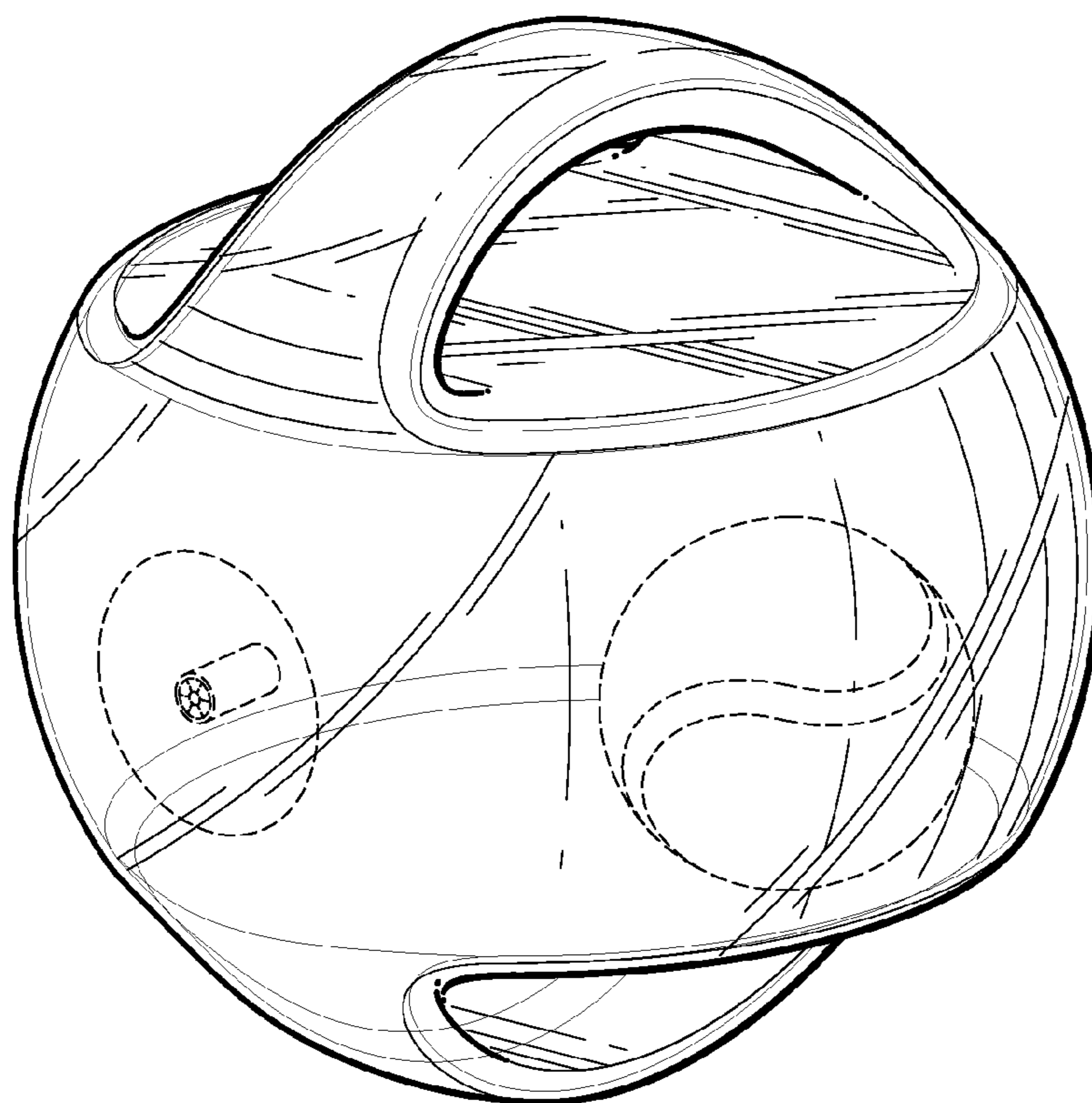


FIG. 1

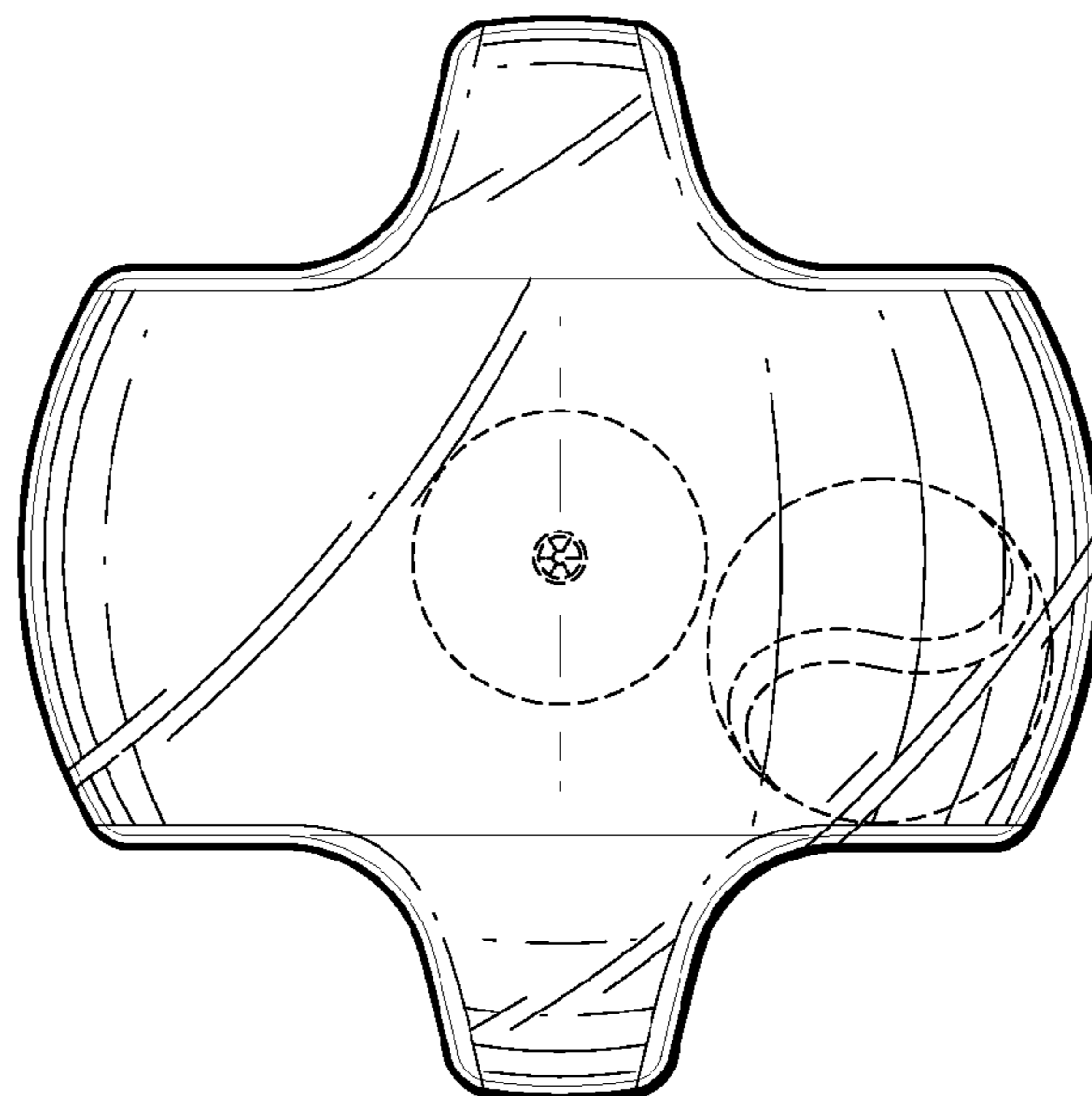


FIG. 2

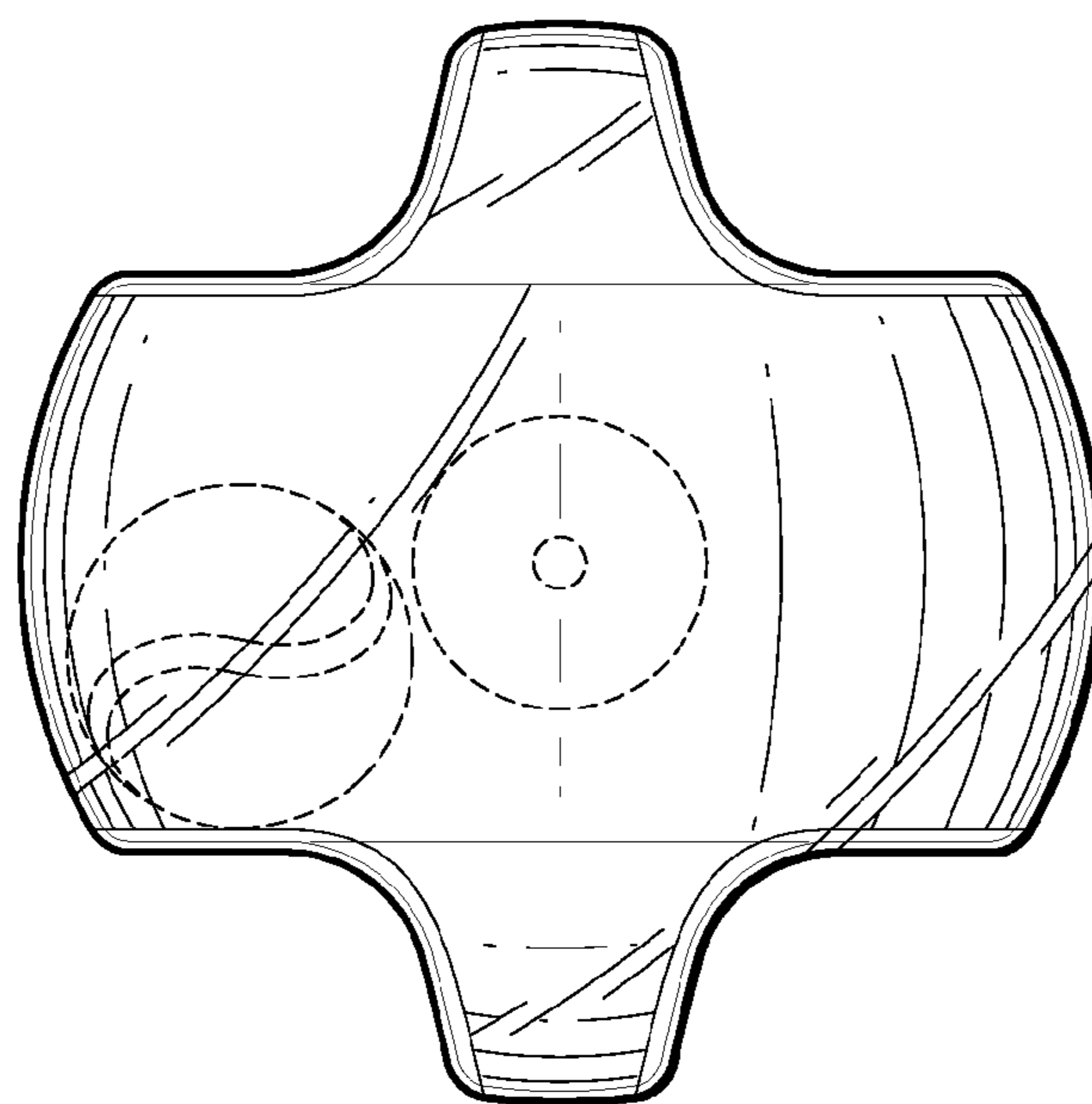


FIG. 3

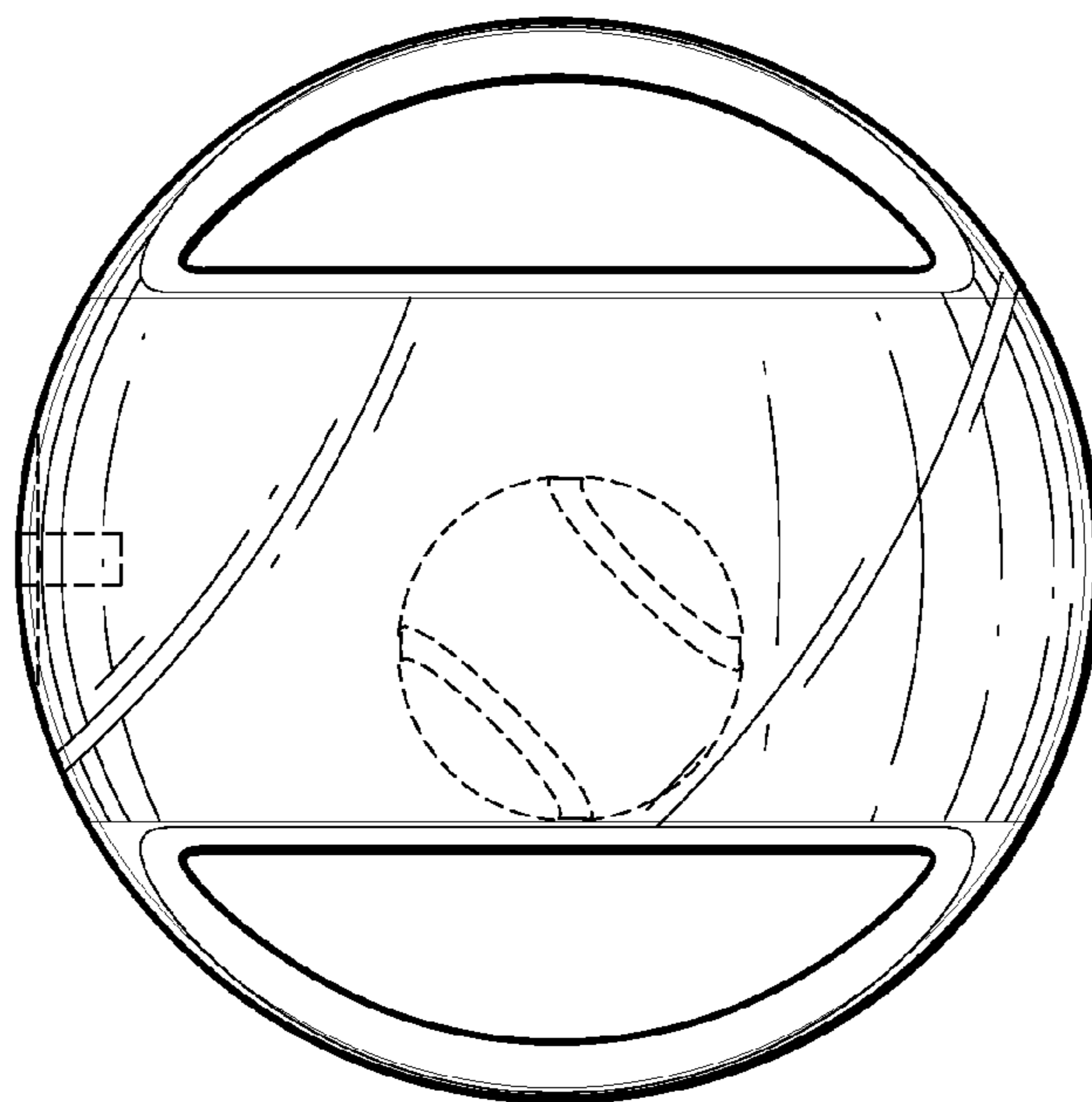


FIG. 4

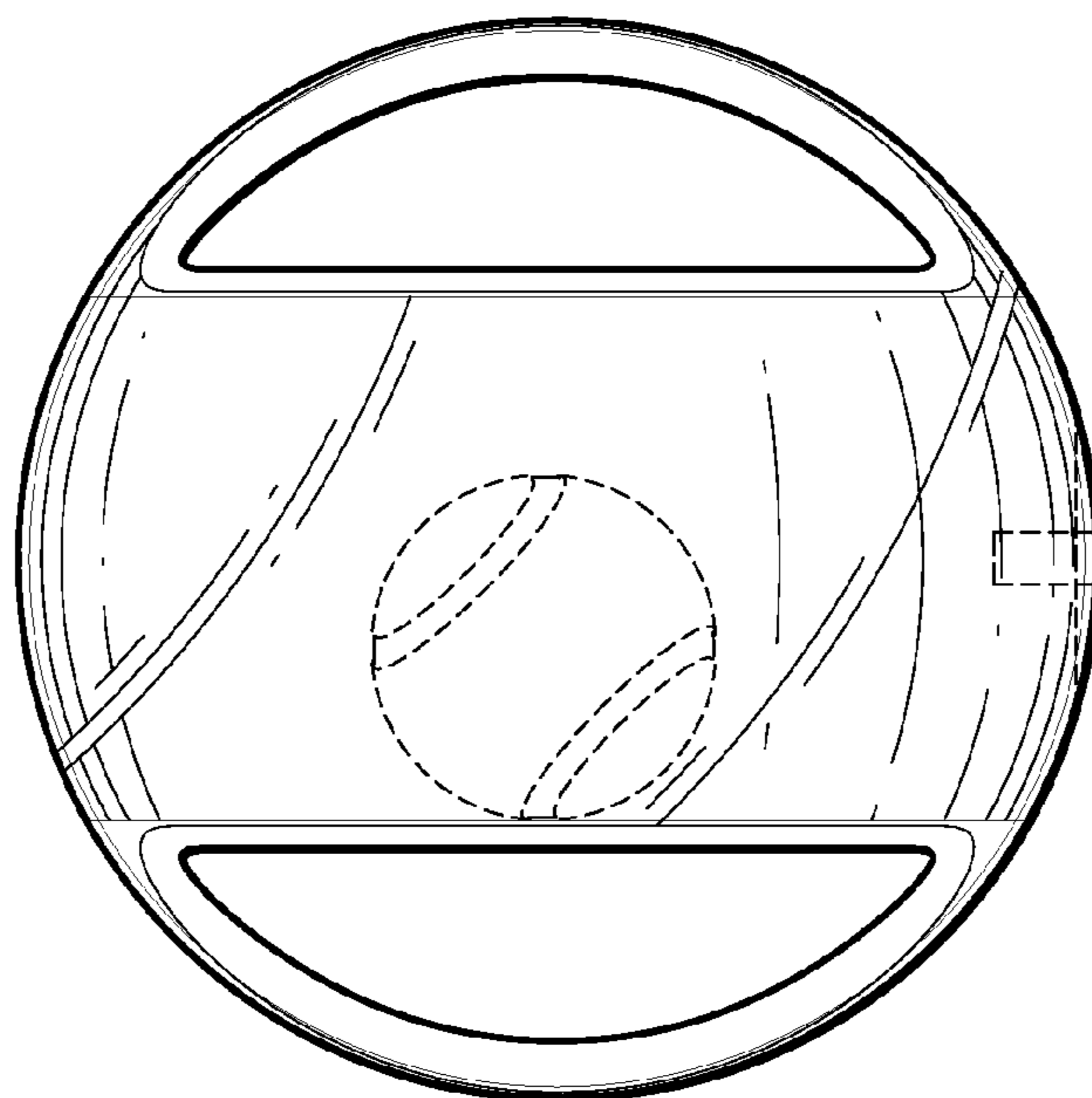


FIG. 5

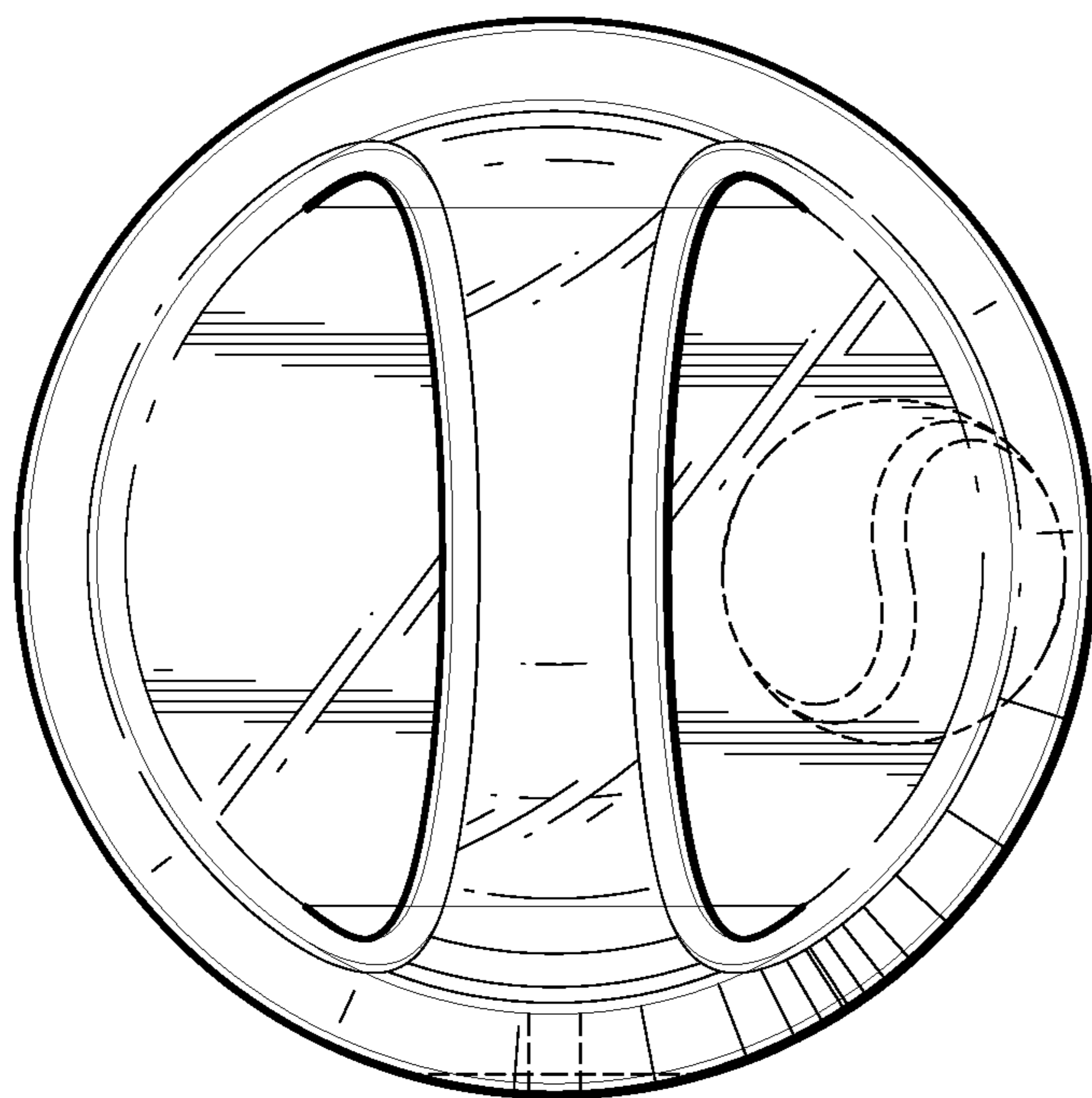


FIG. 6

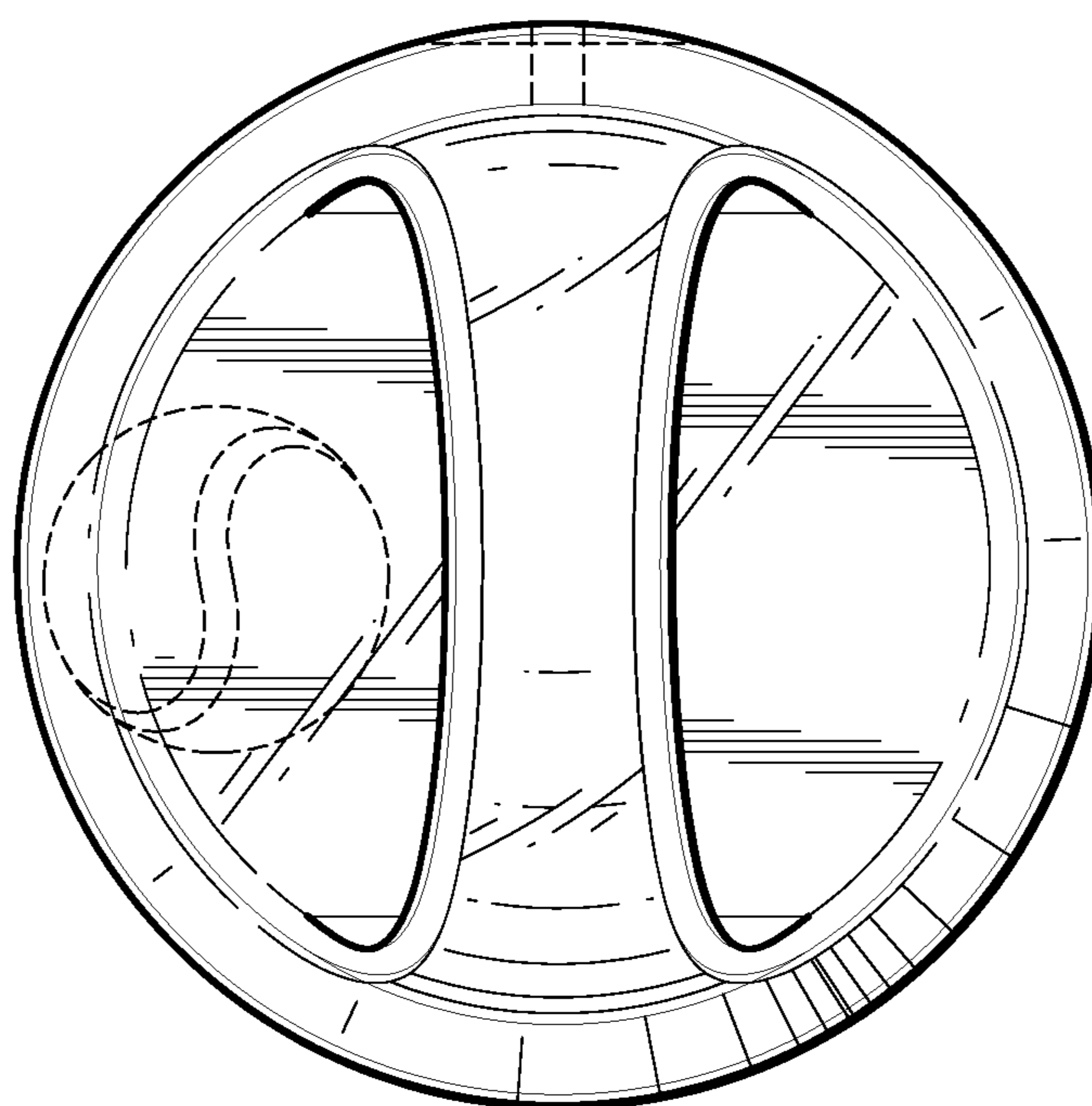


FIG. 7