

US00D736482S

(12) **United States Design Patent**
Lapresca

(10) **Patent No.:** **US D736,482 S**

(45) **Date of Patent:** **** Aug. 11, 2015**

(54) **DECORATIVE DOG PACK WITH MULTIPLE POCKETS**

(71) Applicant: **Alberto Mercado Lapresca**, San Mateo, CA (US)

(72) Inventor: **Alberto Mercado Lapresca**, San Mateo, CA (US)

(73) Assignee: **Alberto M. Lapresca**, San Mateo, CA (US)

(**) Term: **14 Years**

(21) Appl. No.: **29/463,078**

(22) Filed: **Jul. 15, 2013**

(51) **LOC (10) Cl.** **30-04**

(52) **U.S. Cl.**
USPC **D30/152; D30/199**

(58) **Field of Classification Search**
USPC D30/144, 145, 146, 151, 152, 153, 199;
D3/231; 150/111, 112; 119/850, 856,
119/865, 907; 224/148, 6, 191; 294/146
CPC A01K 13/00; A01K 13/006; A01K 27/00;
A01K 27/002; A01K 27/006; A01K 27/008
See application file for complete search history.

(56) **References Cited**

U.S. PATENT DOCUMENTS

D194,523	S	*	2/1963	Wooten	D3/231
3,108,627	A	*	10/1963	Tatelman	150/103
D247,524	S	*	3/1978	Graham	D3/231
D313,677	S	*	1/1991	Hammon et al.	D30/152
5,184,762	A	*	2/1993	Nevitt	224/148.6
5,297,835	A	*	3/1994	Wengler	294/146

D383,255	S	*	9/1997	Caditz	D30/145
D384,780	S	*	10/1997	McLaughlin	D30/152
5,887,772	A	*	3/1999	Dooley	224/191
D429,390	S	*	8/2000	Grady et al.	D30/152
D429,391	S	*	8/2000	Grady et al.	D30/152
D480,843	S	*	10/2003	Sullivan	D30/152
6,637,367	B1	*	10/2003	Dost et al.	119/28.5
D606,712	S	*	12/2009	Speed	D30/145
D611,663	S	*	3/2010	Bergschneider et al.	D30/152
7,918,192	B1	*	4/2011	Digh et al.	119/850
D685,534	S	*	7/2013	Selayandia, III	D30/145
2003/0079695	A1	*	5/2003	Kerrigan	119/858

* cited by examiner

Primary Examiner — Martie K Holtje

(57) **CLAIM**

The ornamental design for a decorative dog pack with multiple pockets, as shown and described.

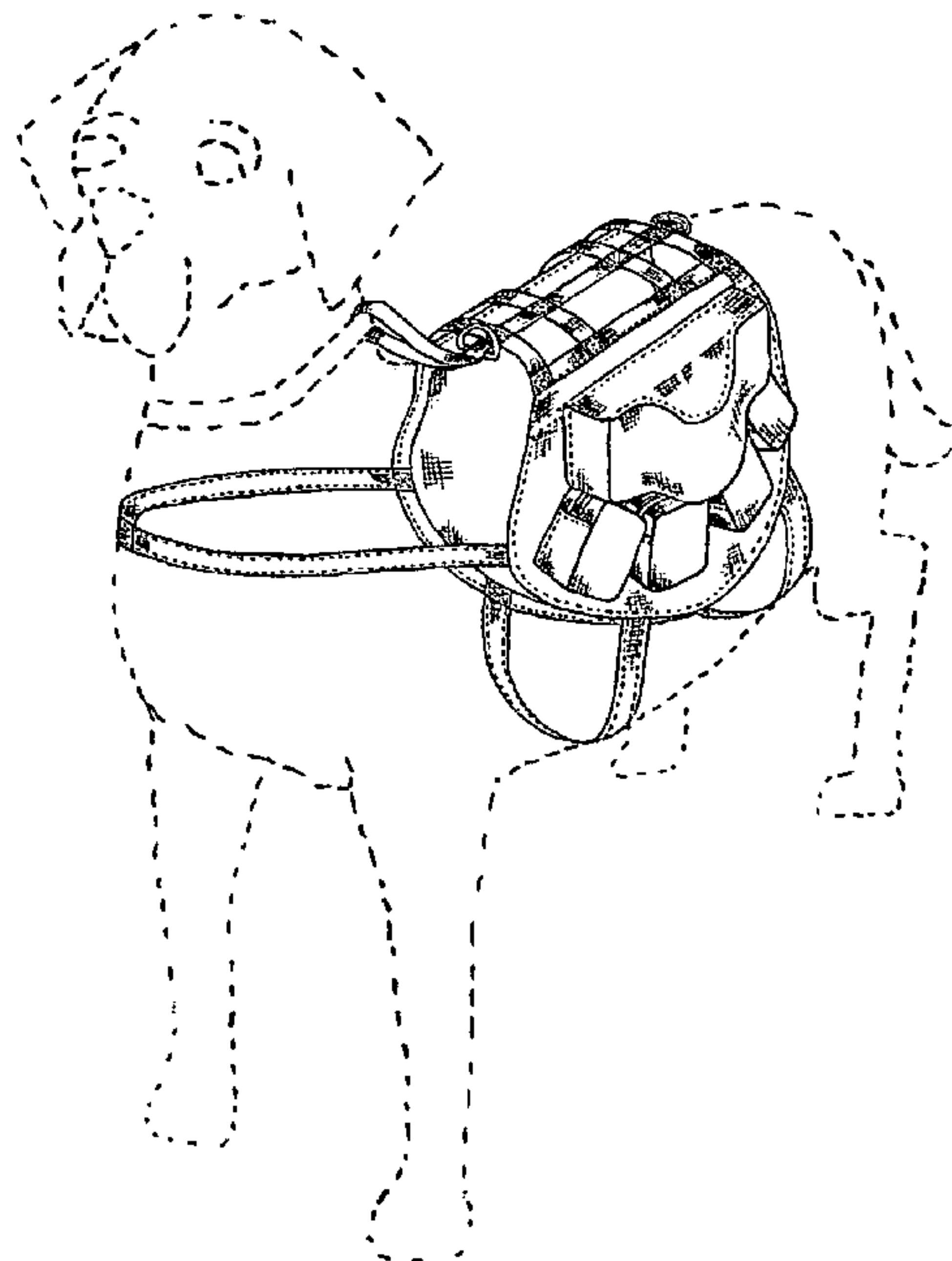
DESCRIPTION

FIG. 1 is a perspective view of a decorative dog pack with multiple pockets showing my new design;
FIG. 2 is a left elevational view thereof;
FIG. 3 is a right elevational view thereof;
FIG. 4 is a front elevational view thereof;
FIG. 5 is a top plan view thereof;
FIG. 6 is a top plan view thereof in a fully opened condition; and,
FIG. 7 is a bottom plan view thereof in a fully opened condition.

The dashed lines in the drawing views represent stitching which forms part of claimed design.

The dog depicted by broken lines in FIG. 1 has been shown to illustrate environment and forms no part of the claimed design.

1 Claim, 4 Drawing Sheets



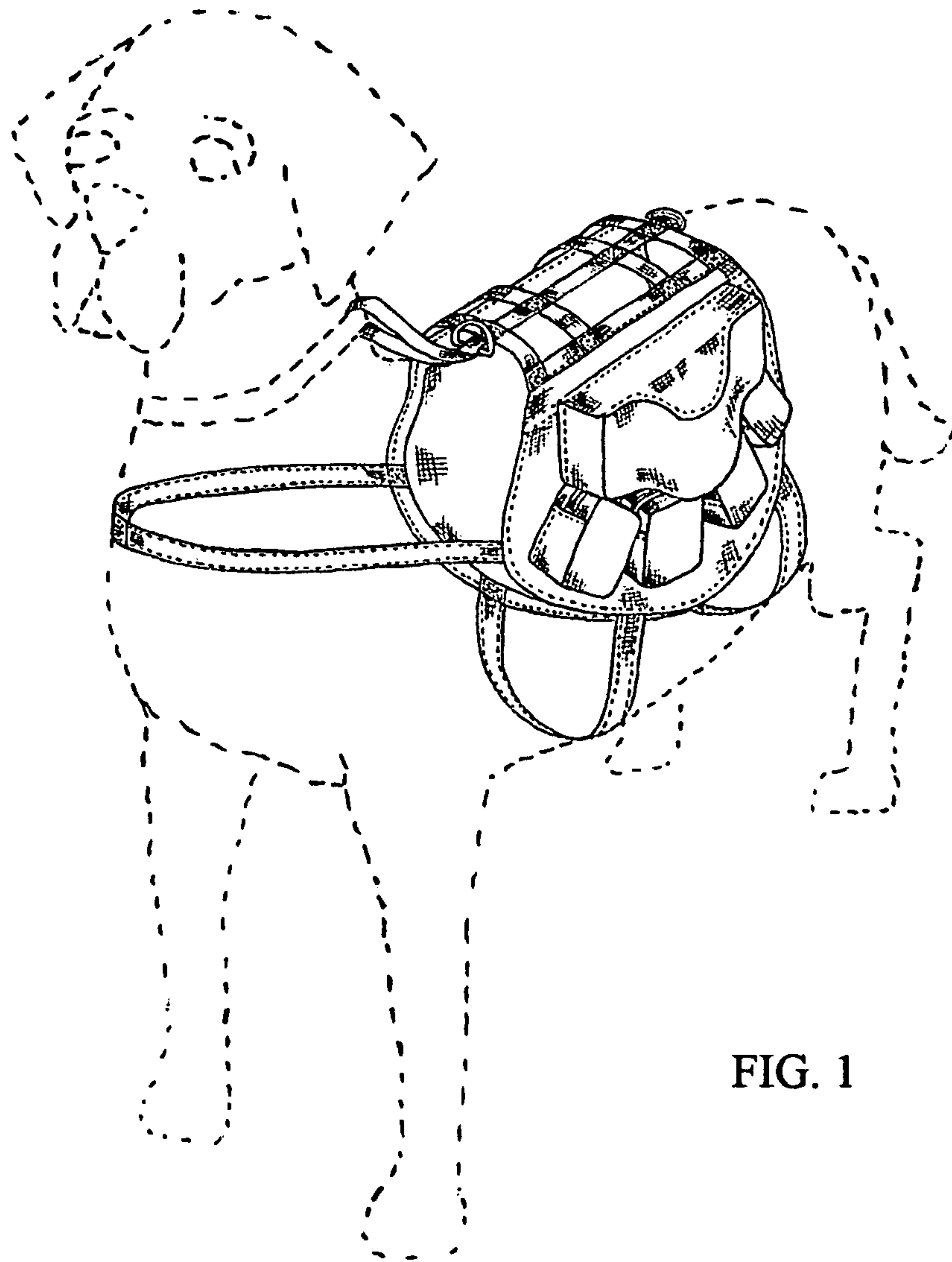


FIG. 1

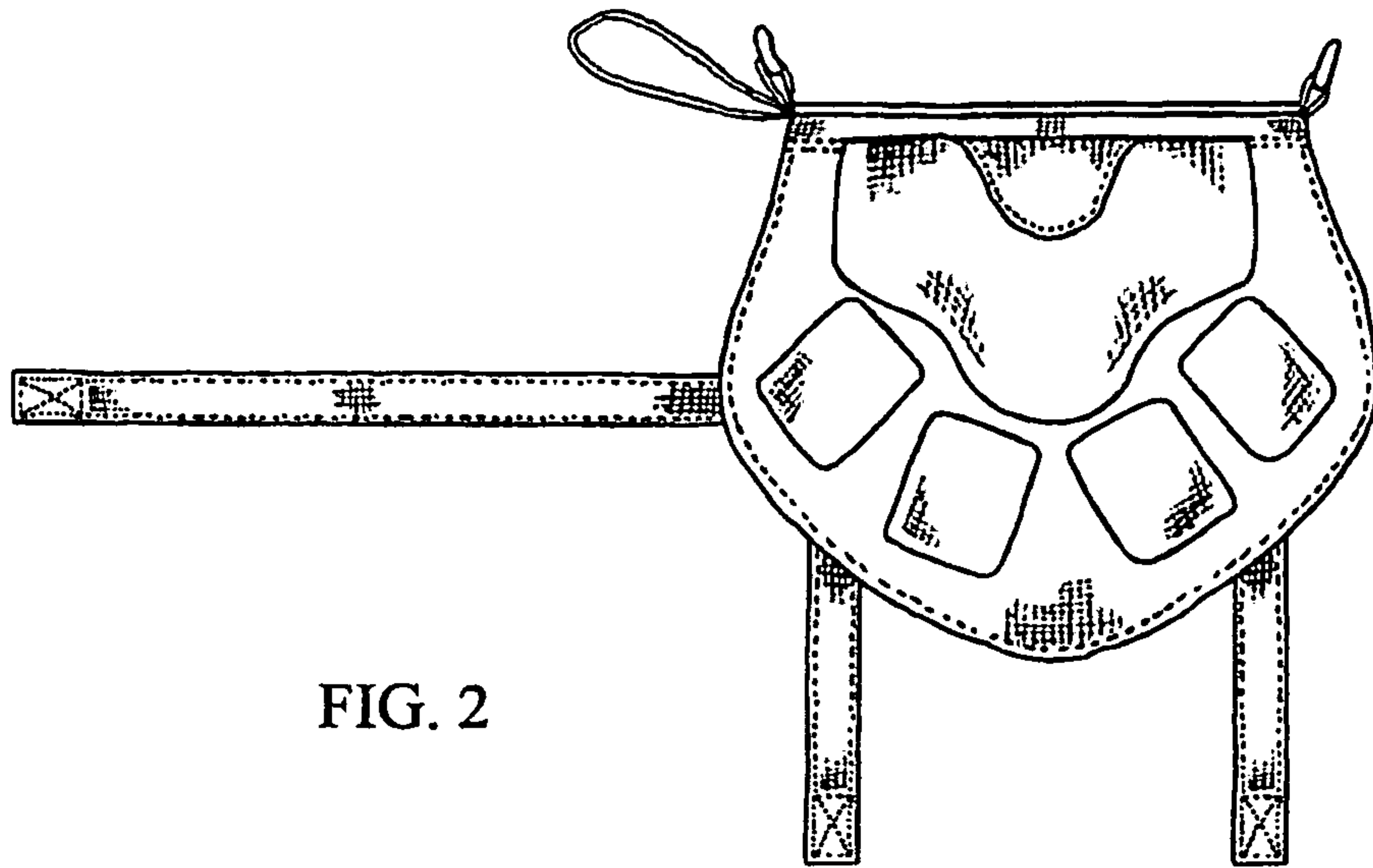


FIG. 2

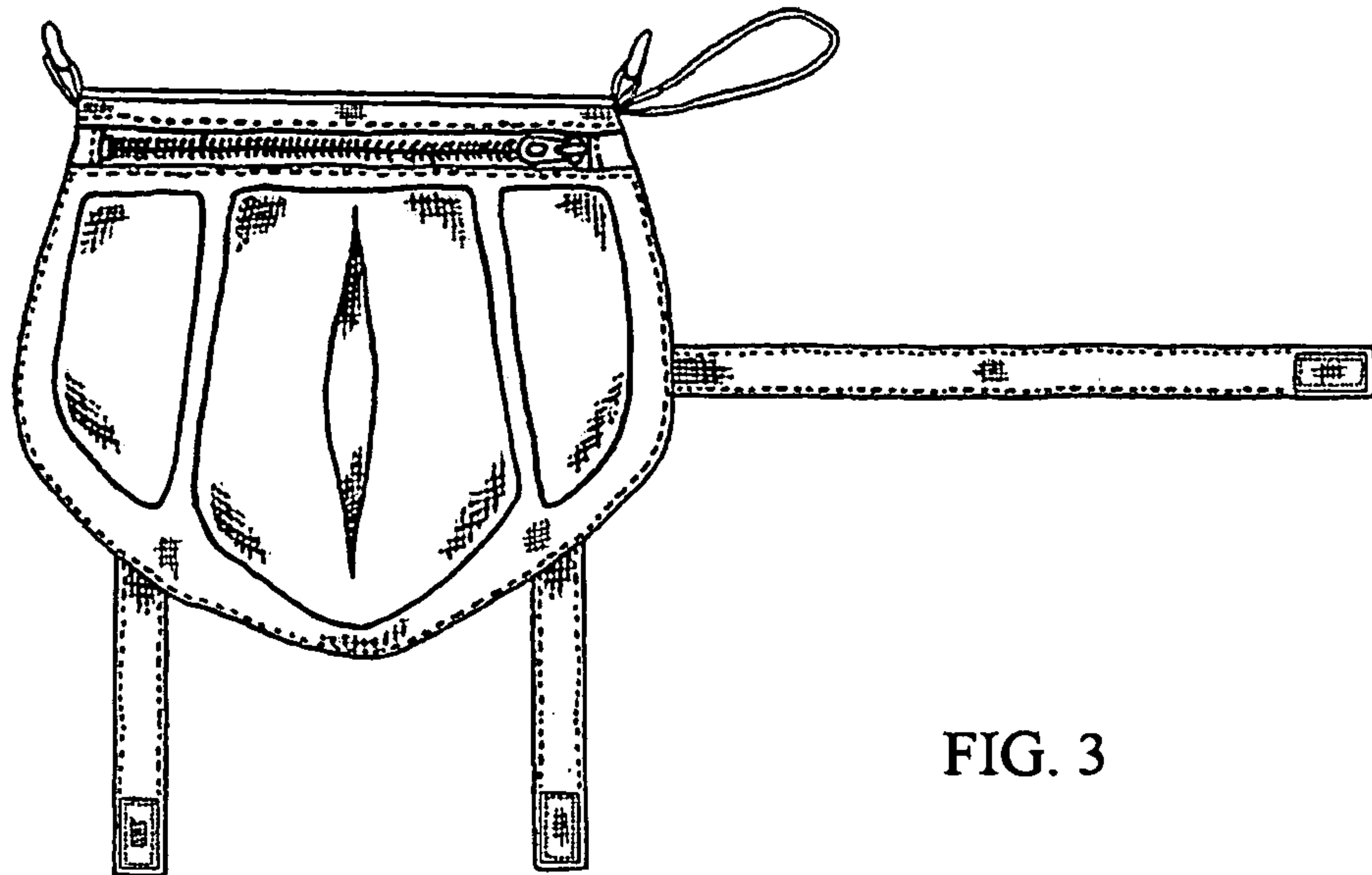


FIG. 3

FIG. 4

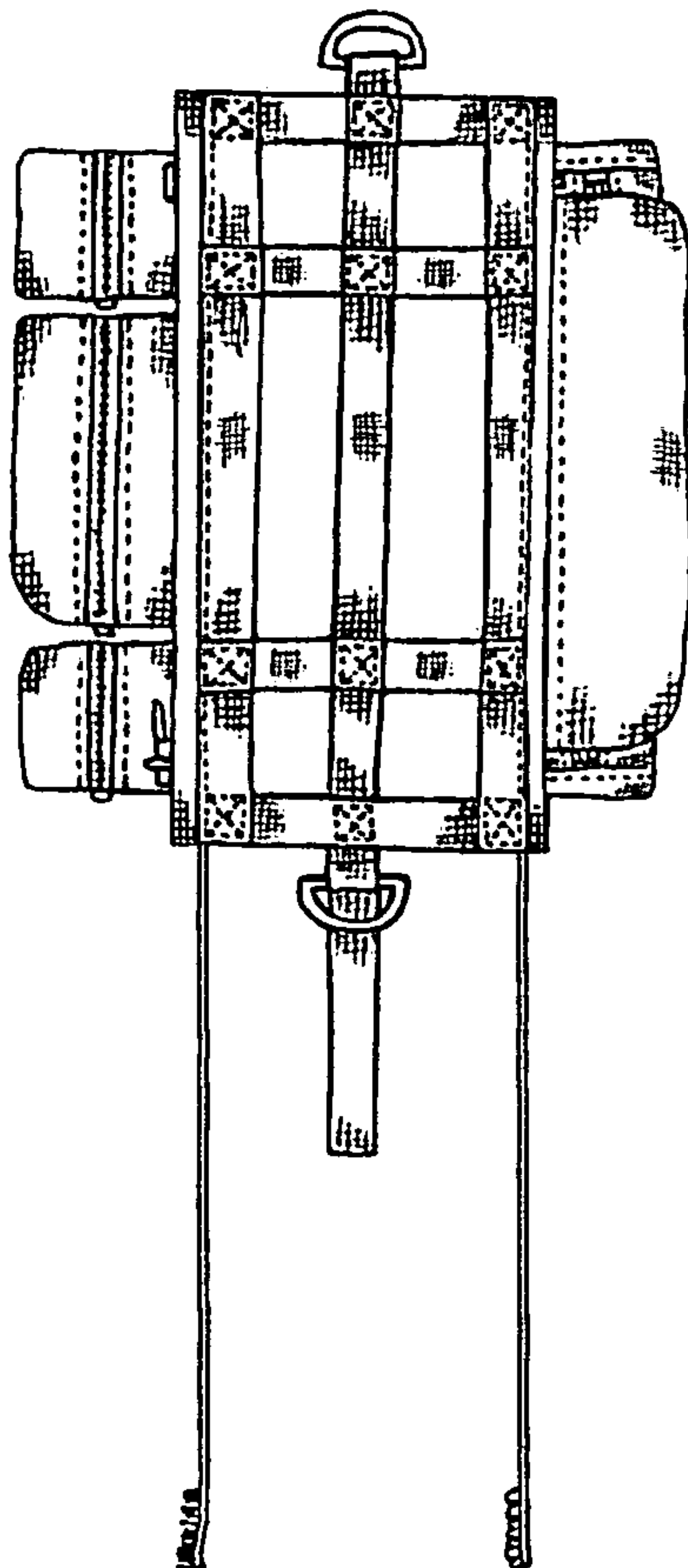
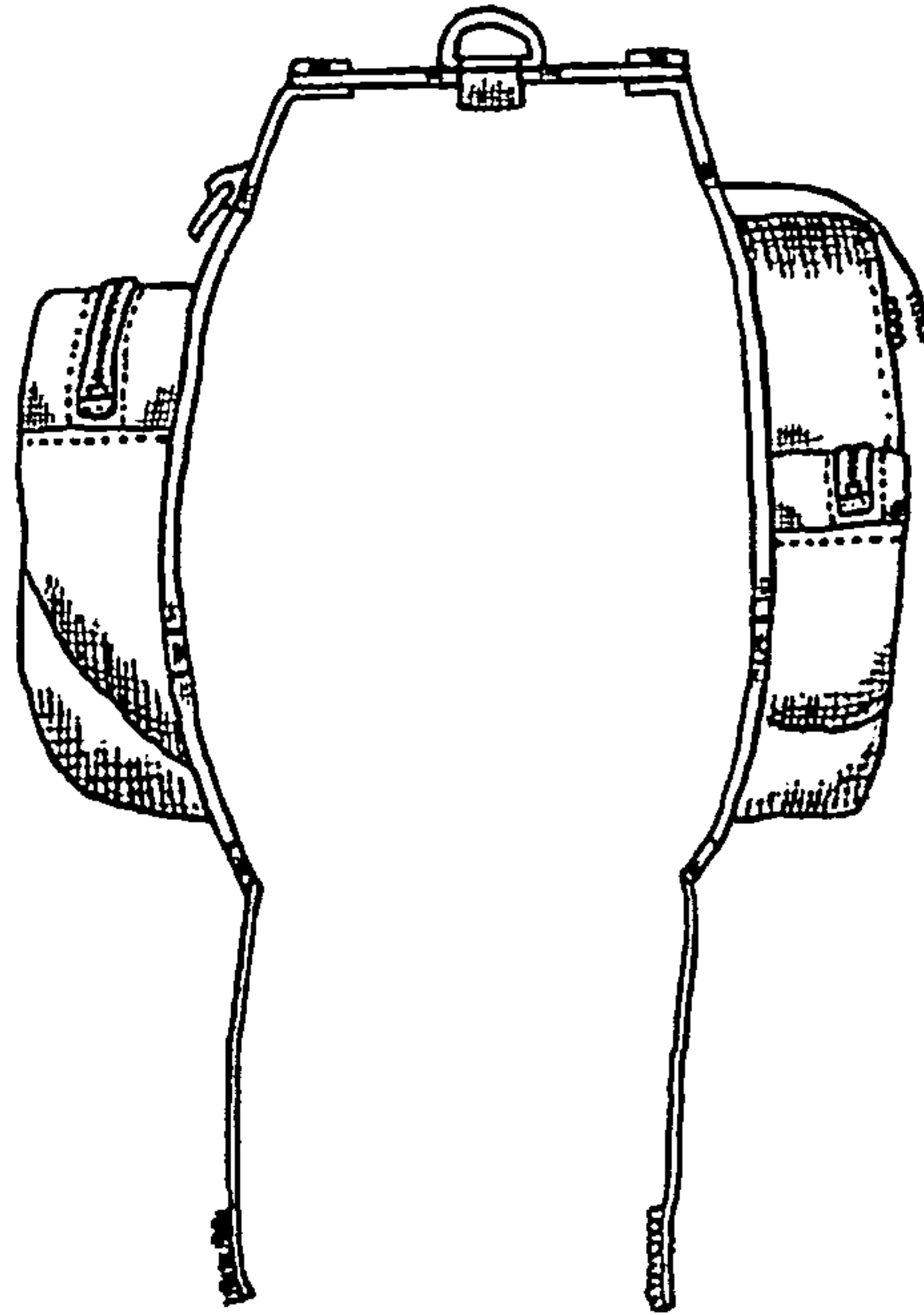


FIG. 5

