



US00D736481S

(12) **United States Design Patent**  
**Cornwell et al.**

(10) **Patent No.:** **US D736,481 S**

(45) **Date of Patent:** **\*\* Aug. 11, 2015**

(54) **AUTOMATIC PET FEEDING SYSTEM**

222/153.13, 401, 1, 146.5, 23, 54, 64, 51,  
222/156, 399, 400.8; 219/438, 439, 441,  
219/385, 386, 402, 407; 210/94, 184, 474,  
210/477

(71) Applicant: **Radio Systems Corporation**, Knoxville,  
TN (US)

(72) Inventors: **Jonathan L. Cornwell**, Powell, TN  
(US); **Melissa Poisson**, Knoxville, TN  
(US); **K. Michael Sayers**, Kodak, TN  
(US); **“Boey” Song JiangHong**,  
Shenzhen (CN)

CPC ..... A01K 5/02; A01K 5/0225; A01K 5/0114;  
A01K 5/025; A01K 5/0266; A01K 5/0275;  
A01K 5/0283; A01K 5/0291; A01K 5/0258;  
A01K 7/00; G01F 11/24; G01F 23/02; B67D  
1/0425; B67D 1/04; B67D 1/00; B67D 1/02;  
B67D 1/0871; B67D 1/0802; A47J 41/0033;  
A47J 41/005; A47J 41/0088; A47J 41/0094;  
A47J 31/04; A47J 31/053; B05B 11/00;  
B05B 11/0002; B05B 11/0005; B05B 11/001;  
C02F 1/003; C02F 1/283; C02F 2307/02

(73) Assignee: **Radio Systems Corporation**, Knoxville,  
TN (US)

(\*\*) Term: **14 Years**

See application file for complete search history.

(21) Appl. No.: **29/518,688**

(56) **References Cited**

(22) Filed: **Feb. 26, 2015**

U.S. PATENT DOCUMENTS

**Related U.S. Application Data**

(63) Continuation-in-part of application No. 14/308,191,  
filed on Jun. 18, 2014.

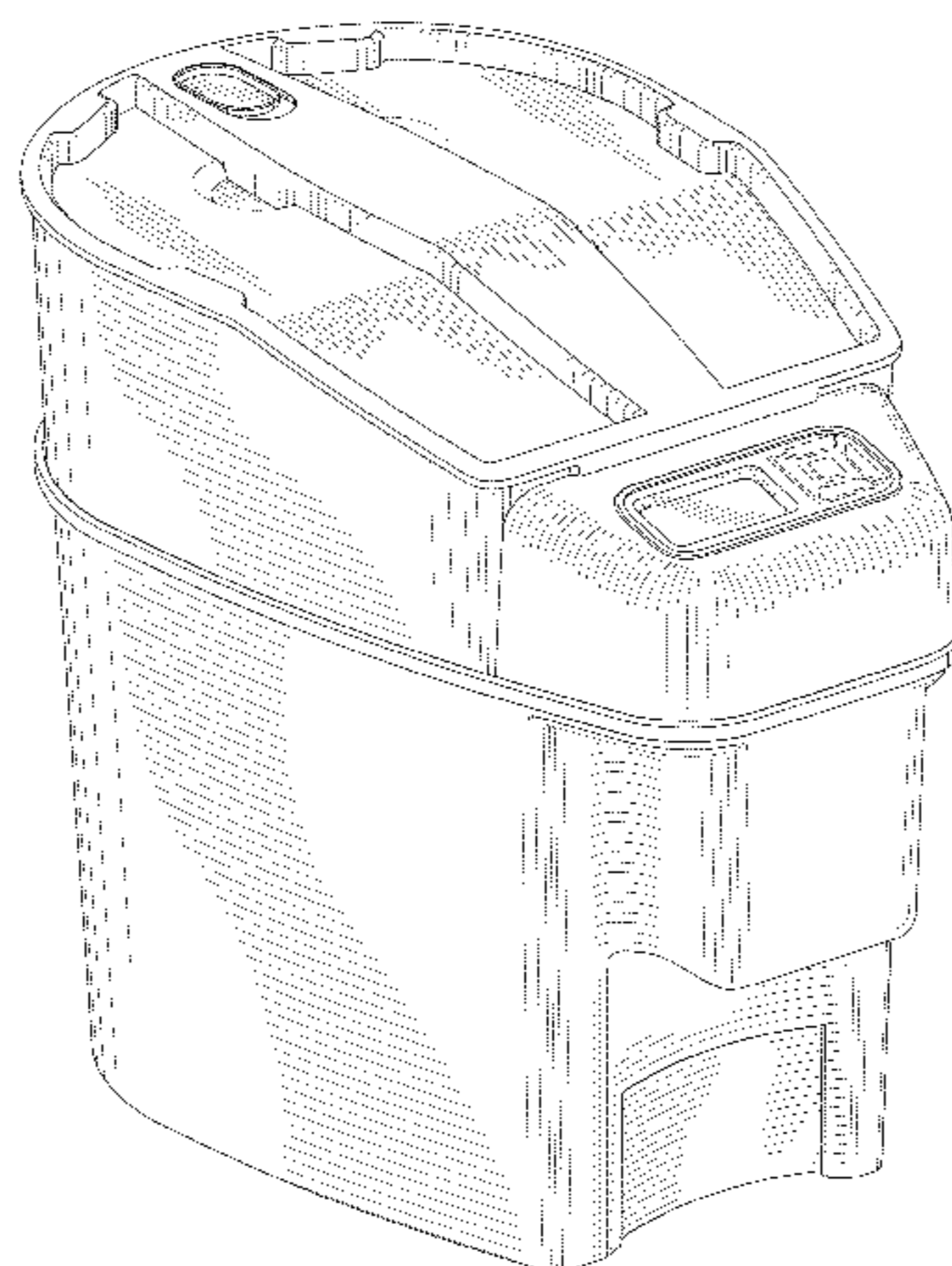
(51) **LOC (10) Cl.** ..... **30-07**

(52) **U.S. Cl.**  
USPC ..... **D30/122**

(58) **Field of Classification Search**

USPC ..... D30/121, 122, 129–133; 119/61.5,  
119/51.01, 61.56, 51.03, 59, 62, 63, 51.5,  
119/57.8, 74, 61.54, 61.55, 53, 53.5, 75,  
119/56.2, 51.02, 51.11, 51.12, 57.1, 52.1,  
119/515; 312/204; 248/151, 188; 108/156,  
108/153.1–157; 220/23.87, 630, 737, 743,  
220/9.4, 495.01, 574, 212, 255, 23.83;  
206/515; D7/586, 543, 550.1, 587,  
D7/505, 584, 545, 500, 553.1–553.8, 546,  
D7/555, 556, 504, 565, 562, 602, 605, 312,  
D7/313, 320, 307, 306, 309, 354, 311, 399,  
D7/397, 323, 332, 331, 347, 346, 322, 318,  
D7/317, 316, 619.1; D9/429; 43/109;  
D22/122; 99/430, DIG. 15, 280, 285,  
99/312; 222/209, 131, 363, 349, 517,

3,568,893	A *	3/1971	Becker	.....	222/363
3,920,224	A	11/1975	Fassauer		
4,260,069	A *	4/1981	Juergens	.....	220/812
4,315,483	A *	2/1982	Scheidler	.....	119/51.11
4,735,171	A	4/1988	Essex		
4,782,790	A	11/1988	Batson		
4,841,913	A *	6/1989	Forrer	.....	119/51.12
D330,098	S *	10/1992	VanSkiver	.....	D30/121
D338,366	S *	8/1993	Ueda et al.	.....	D7/312
D341,984	S *	12/1993	Nurmesniemi	.....	D7/300
D343,089	S *	1/1994	MacDonald	.....	D7/306
5,351,649	A *	10/1994	Rovira Badia et al.	.....	119/53.5
5,673,811	A *	10/1997	Dickinson et al.	.....	220/812
D405,560	S *	2/1999	Chrisco	.....	D30/122
6,044,795	A	4/2000	Matsuura		
6,119,900	A *	9/2000	Iwamoto et al.	.....	222/209
D431,410	S *	10/2000	Huang	.....	D7/313
6,135,056	A	10/2000	Kuo		
6,158,623	A *	12/2000	Benavides et al.	.....	222/129
6,367,417	B1	4/2002	Gal		
6,401,657	B1	6/2002	Krishnamurthy		
D463,192	S *	9/2002	Uneo et al.	.....	D7/306
6,467,428	B1	10/2002	Andrisin		
6,681,718	B1 *	1/2004	Mcllarky	.....	119/53
D487,376	S *	3/2004	Uneo et al.	.....	D7/306
D489,215	S *	5/2004	Honan et al.	.....	D7/309
D500,625	S *	1/2005	Hellenberg et al.	.....	D7/306
6,843,205	B1 *	1/2005	Segreto	.....	119/74
6,845,735	B1	1/2005	Northrop		
6,863,025	B2	3/2005	Ness		





D506,346	S *	6/2005	Matsumoto et al. ....	D7/317
D513,572	S *	1/2006	Schaffeld et al. ....	D7/309
6,988,465	B2	1/2006	Park	
7,040,249	B1	5/2006	Mushen	
7,146,930	B1	12/2006	Ness	
D540,493	S *	4/2007	Fick .....	D30/133
7,198,005	B2	4/2007	Polimeni	
D541,572	S *	5/2007	Watanabe .....	D7/313
D544,299	S *	6/2007	Schaffeld et al. ....	D7/397
7,270,081	B2	9/2007	Park	
D552,401	S *	10/2007	Picozza et al. ....	D7/306
D554,301	S *	10/2007	Fick .....	D30/133
D558,506	S *	1/2008	Garman .....	D7/309
D563,605	S	3/2008	Morris	
D565,252	S *	3/2008	Fick .....	D30/121
7,380,518	B2	6/2008	Kates	
D572,965	S *	7/2008	Steiner .....	D7/309
D577,252	S *	9/2008	Kotoku .....	D7/399
7,426,901	B2	9/2008	Turner	
D581,196	S *	11/2008	Kassenaar .....	D7/306
D581,197	S *	11/2008	Kassenaar .....	D7/306
D582,193	S *	12/2008	Picozza et al. ....	D7/306
7,467,603	B2	12/2008	Davies	
7,513,216	B2	4/2009	Neckel	
D593,355	S *	6/2009	Girard et al. ....	D7/306
D597,368	S *	8/2009	Steiner .....	D7/309
D598,701	S *	8/2009	Okajima .....	D7/358
D599,606	S *	9/2009	Wakita et al. ....	D7/306
D604,553	S *	11/2009	Roncali .....	D7/306
D618,950	S *	7/2010	Jaffe et al. ....	D7/306
D622,451	S *	8/2010	Yang et al. ....	D30/121
7,849,817	B1	12/2010	Warganich	
7,895,973	B1 *	3/2011	Whelan .....	119/51.02
7,914,468	B2	3/2011	Shalon	
D637,859	S *	5/2011	Orkney et al. ....	D7/306
7,984,694	B2	7/2011	Wu	
8,011,324	B1	9/2011	Warganich	
D649,826	S *	12/2011	Garman .....	D7/306
D660,072	S *	5/2012	Makhanlall et al. ....	D7/309
8,166,922	B2	5/2012	Jalbert	
8,245,665	B2	8/2012	Willett	
D666,864	S *	9/2012	Dahlstrom .....	D7/309
D667,674	S *	9/2012	Wilder et al. ....	D7/306
8,347,817	B1	1/2013	Miller	
D677,509	S *	3/2013	Wang .....	D7/306
8,387,566	B2	3/2013	Graves	
D681,386	S *	5/2013	Pininfarina .....	D7/306
D681,387	S *	5/2013	Pininfarina .....	D7/306
D683,174	S *	5/2013	Regamey .....	D7/306
8,436,735	B2	5/2013	Mainini	
D687,662	S *	8/2013	Beghelli .....	D7/306
D687,663	S *	8/2013	Beghelli .....	D7/306
D687,664	S *	8/2013	Beghelli .....	D7/306
8,516,975	B2	8/2013	Becattini	
8,555,814	B2	10/2013	Parks	
D699,400	S *	2/2014	Itzhak-Sigron et al. ....	D30/121
8,701,595	B2	4/2014	Jin	
D707,790	S *	6/2014	Beghelli .....	D23/207
D707,791	S *	6/2014	Beghelli .....	D23/207
D712,187	S *	9/2014	Wilder et al. ....	D7/306
D721,248	S *	1/2015	Manly et al. ....	D7/399
D721,531	S *	1/2015	Krasne .....	D7/309
D722,463	S *	2/2015	Manly et al. ....	D7/306
D723,315	S *	3/2015	Wilder et al. ....	D7/306
D723,317	S *	3/2015	Manly et al. ....	D7/306
D723,318	S *	3/2015	Andreesen .....	D7/309
2005/0061252	A1	3/2005	Meeks	
2005/0194372	A1 *	9/2005	Lau et al. ....	219/441
2005/0217591	A1	10/2005	Turner	
2005/0284382	A1	12/2005	Stantchev	
2007/0119378	A1 *	5/2007	Fick .....	119/52.1
2007/0266959	A1	11/2007	Brooks	
2008/0058670	A1	3/2008	Mainini	

2010/0269757	A1 *	10/2010	Park .....	119/54
2011/0220684	A1 *	9/2011	Webster et al. ....	222/370
2011/0297090	A1	12/2011	Chamberlain	
2012/0145085	A1 *	6/2012	Massicotte .....	119/51.11
2013/0098298	A1 *	4/2013	Manickchan et al. ....	119/51.11
2015/0090186	A1 *	4/2015	Massicotte .....	119/51.11

FOREIGN PATENT DOCUMENTS

WO WO 03/015003 2/2003

OTHER PUBLICATIONS

Petwant Automatic Pet Feeder available through Amazon.com (accessed Jun. 27, 2014).  
 Aspen Automatic Pet Feeder available through Amazon.com (accessed Jun. 27, 2014).  
 Animal Planet Pet Feeder available through Amazon.com (accessed Jun. 27, 2014).  
 Crestuff Automatic Portion Control Pet Feeder available through Amazon.com (accessed Jun. 27, 2014).  
 PetSafe Pet Feeder available through Amazon.com (accessed Jun. 27, 2014).  
 Petnet Pet Feeder available through www.petnet.io (accessed Apr. 6, 2015).  
 Gate Feeder available through gatefeeder.com (accessed Apr. 6, 2015).  
 Perfect Petfeeder available through perfectpetfeeder.com/ (accessed Apr. 6, 2015).  
 Super Feeder available through super-feeder.com (accessed Apr. 6, 2015).  
 Lusmo Automatic Pet Feeder available through lusmo.com (accessed Apr. 6, 2015).  
 Watch Automatic Pet Feeder available through Amazon.com (accessed Apr. 6, 2015).  
 MOTA Perfect Pet Dinner Automatic Food Feeder available through Walmart.com (accessed Apr. 6, 2015).  
 Petmate Infinity 5 lb Portion Control Automatic Dog Cat Feeder available through Amazon.com (accessed Apr. 6, 2015).  
 Ergo Auto Pet Feeder available through Amazon.com (accessed Apr. 6, 2015).

\* cited by examiner

*Primary Examiner* — Susan Moon Lee  
 (74) *Attorney, Agent, or Firm* — Peter L. Brewer; Baker Donelson

(57) **CLAIM**  
 The ornamental design for an automatic pet feeding system, as shown and described.

**DESCRIPTION**

FIG. 1 is a perspective view showing our new design for an automatic pet feeding system.  
 FIG. 2 is a front elevational view thereof.  
 FIG. 3 is a back elevational view thereof.  
 FIG. 4 is a right side elevational view thereof.  
 FIG. 5 is a left side elevational view thereof.  
 FIG. 6 is a top plan view thereof.  
 FIG. 7 is a bottom plan view thereof; and,  
 FIG. 8 is an exploded perspective view thereof.  
 Broken lines and unshaded portions contained within broken lines are not claimed.

**1 Claim, 6 Drawing Sheets**



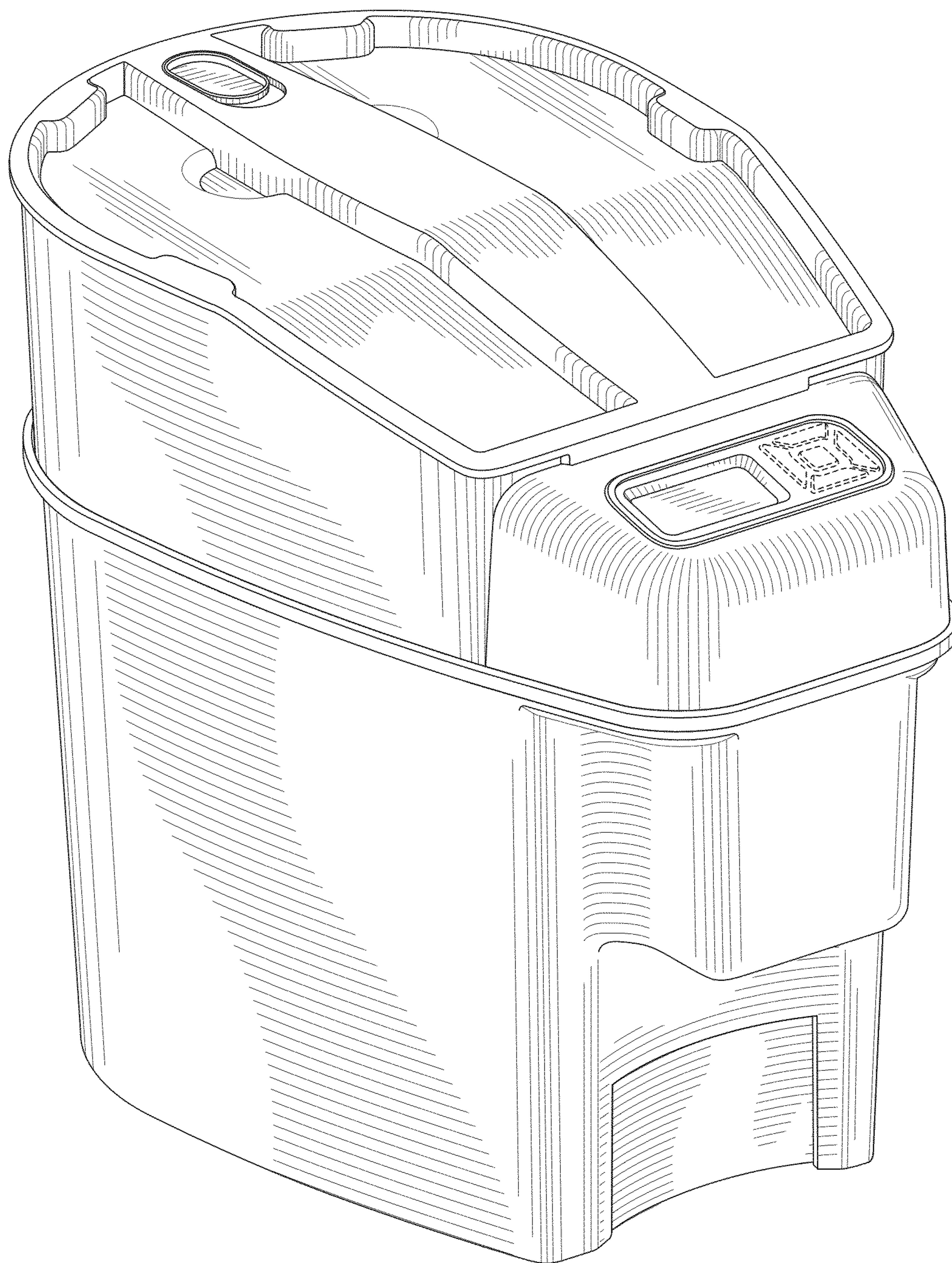


FIG. 1

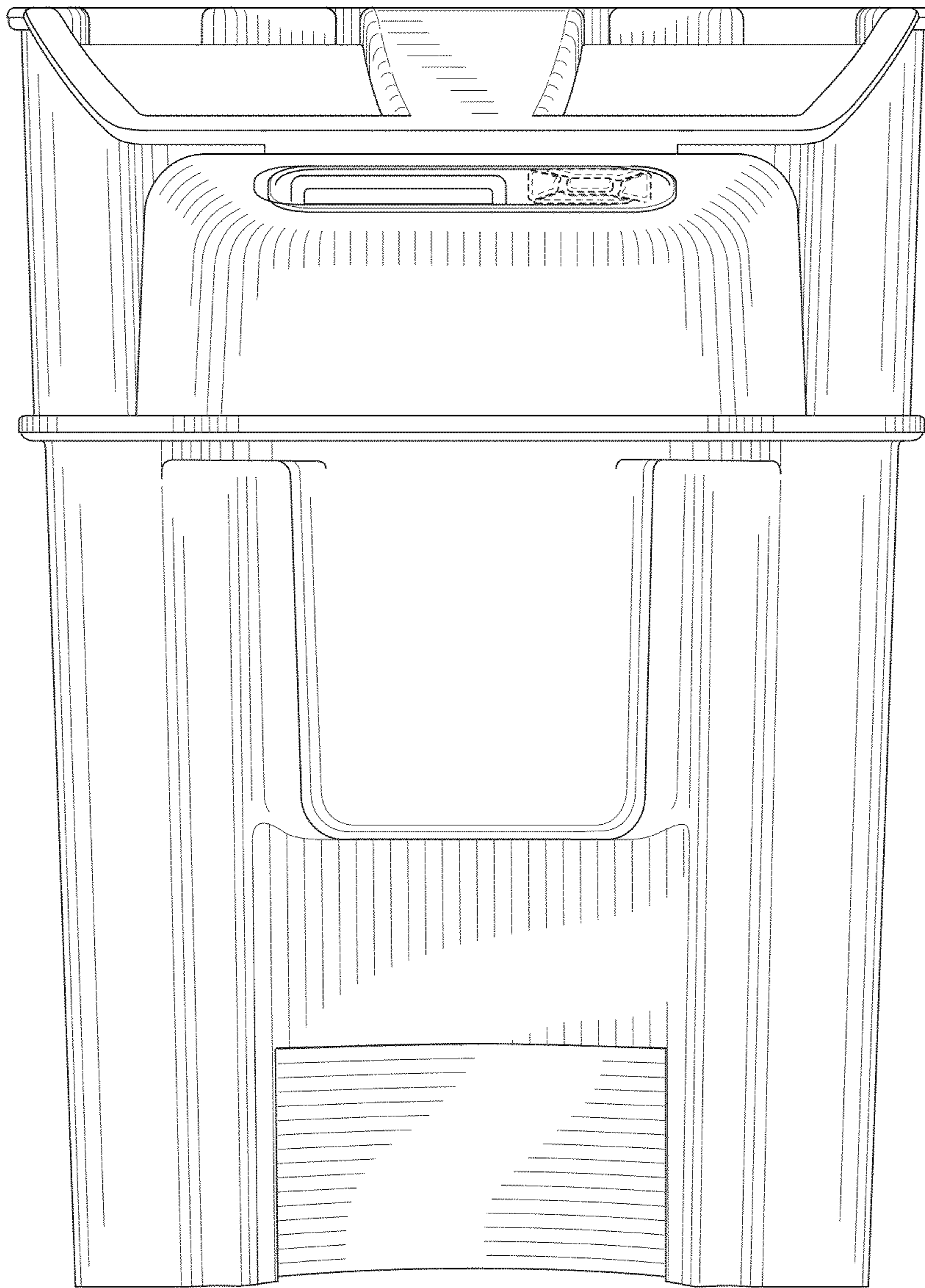


FIG. 2

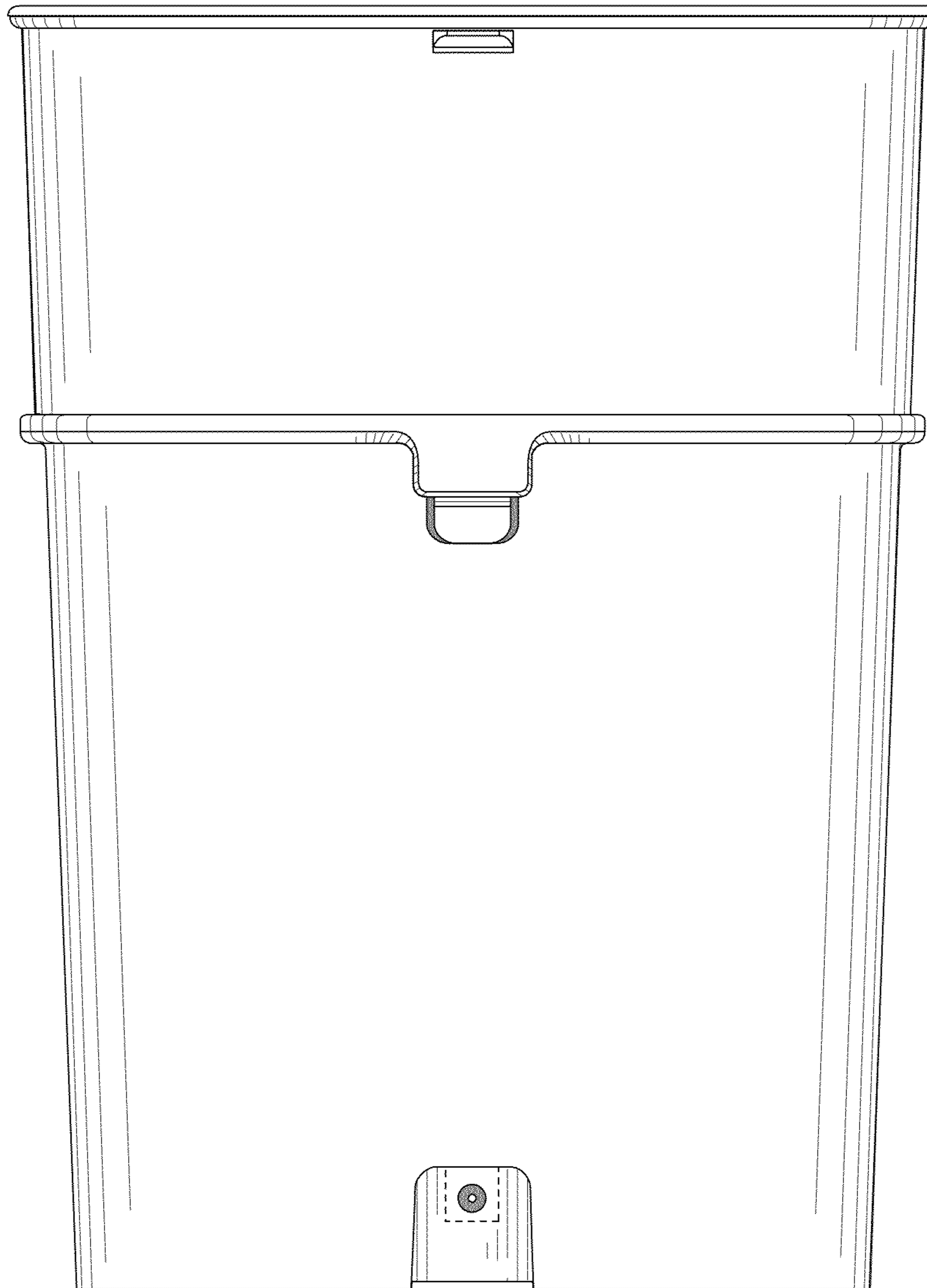


FIG. 3

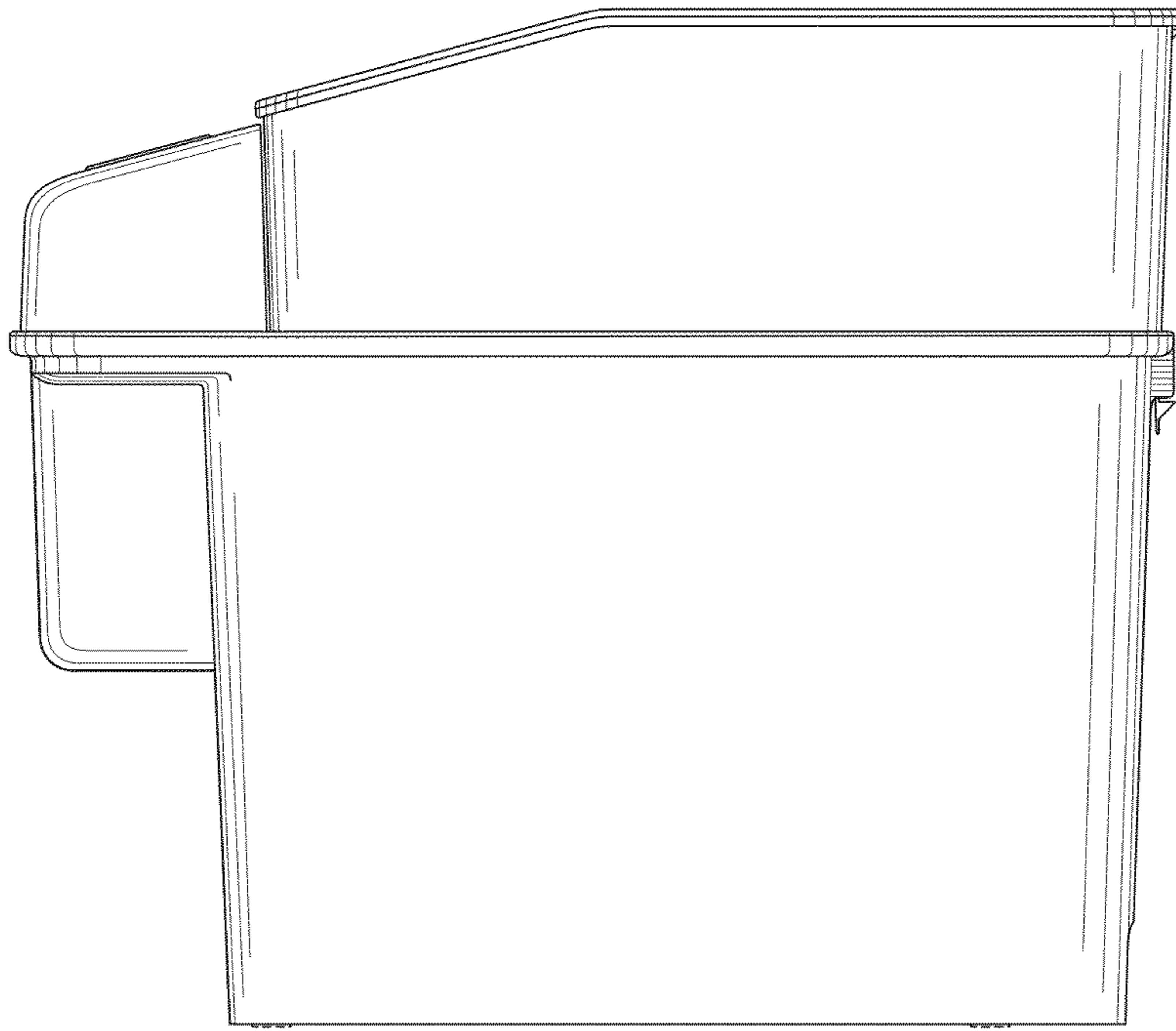


FIG. 4

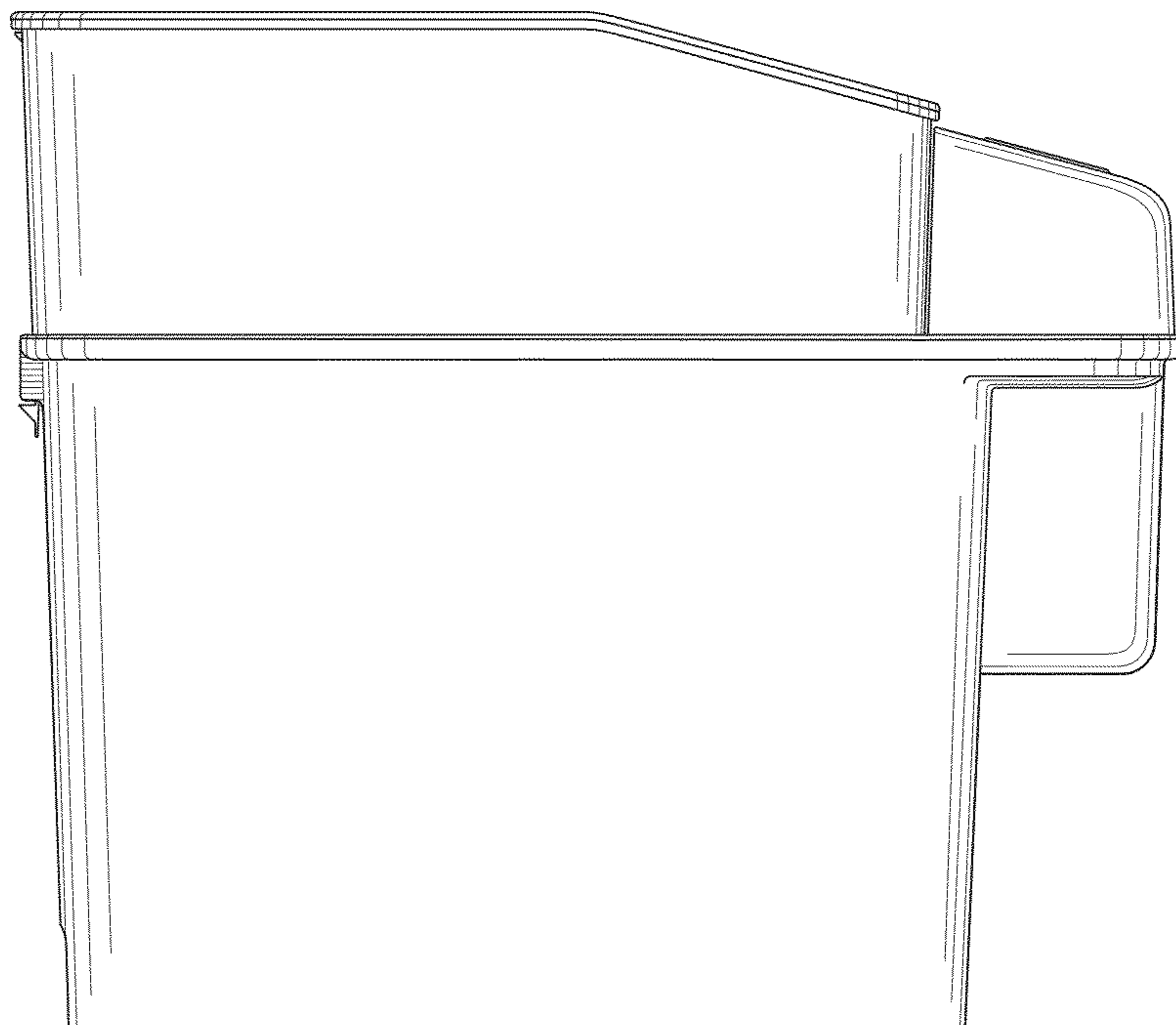


FIG. 5



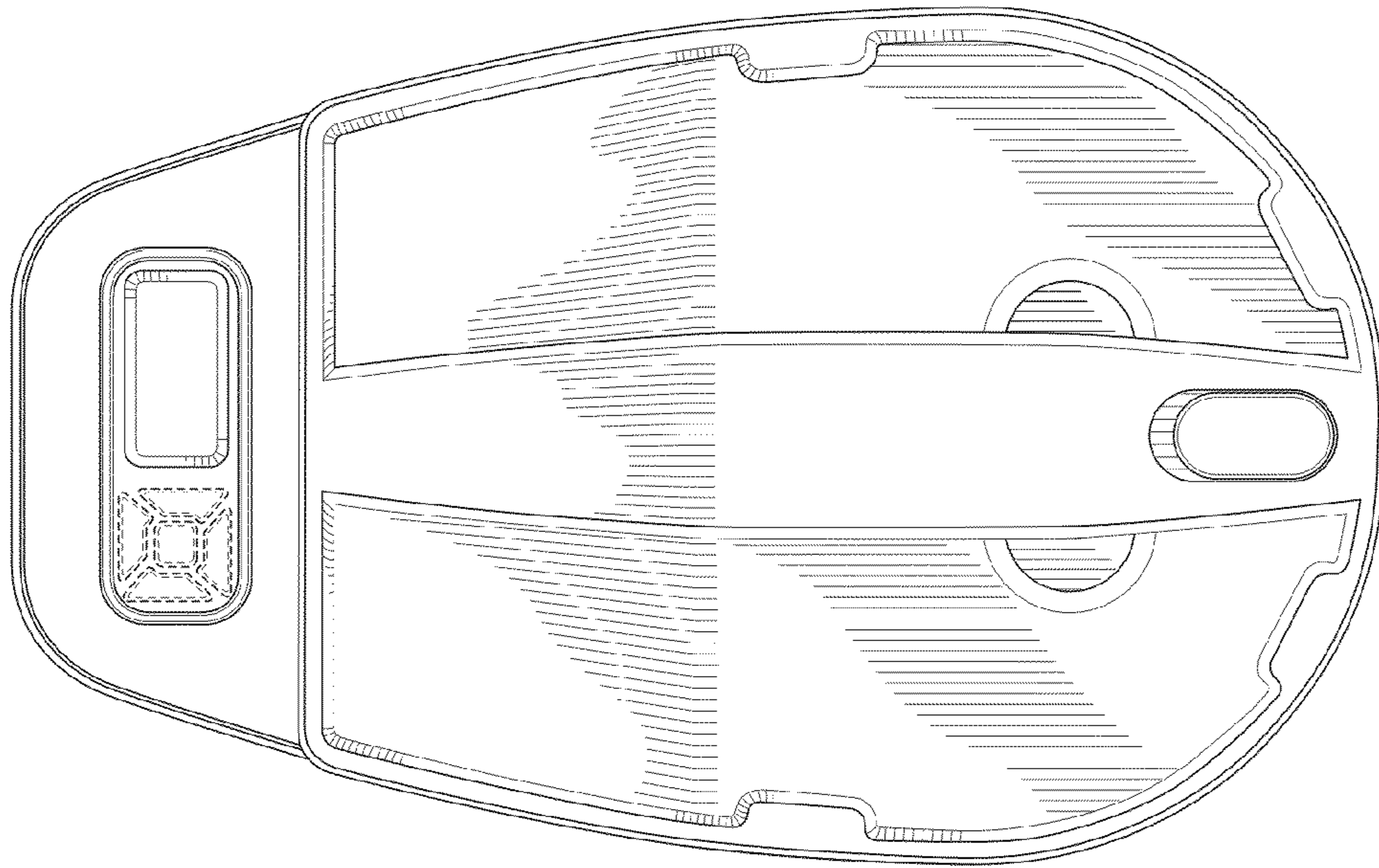


FIG. 6

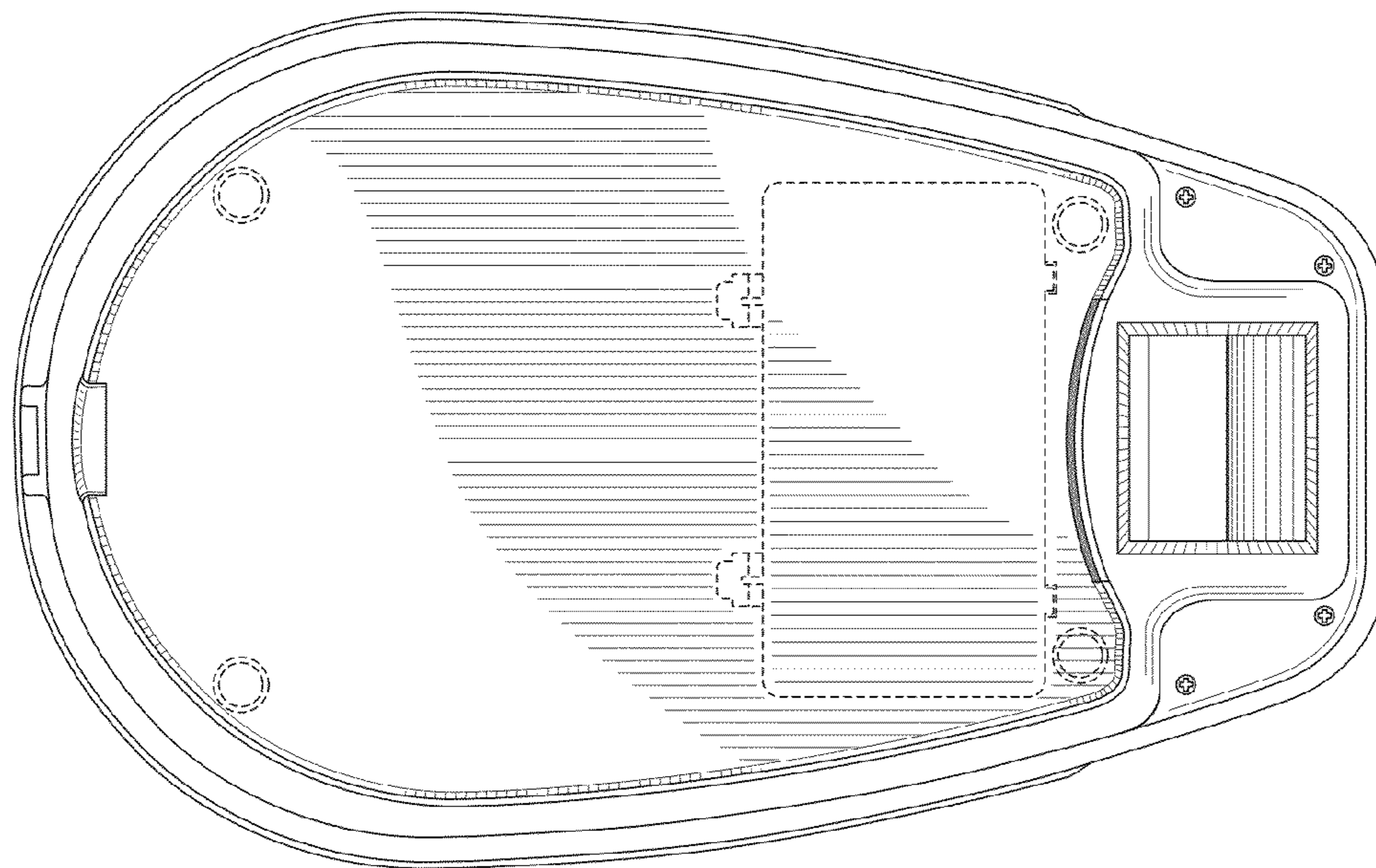


FIG. 7

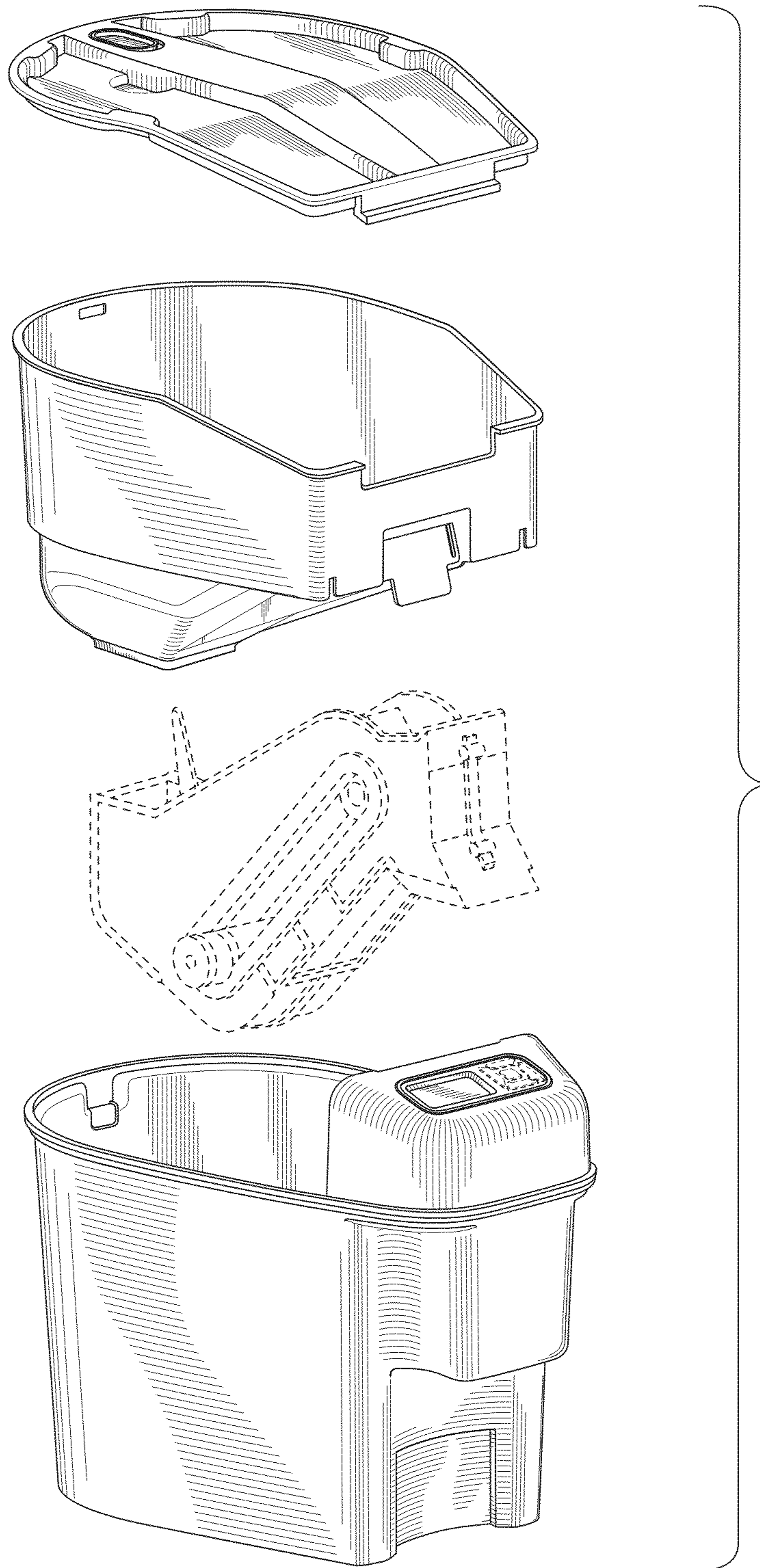


FIG. 8