



US00D736478S

(12) **United States Design Patent**
Piegari et al.

(10) **Patent No.:** **US D736,478 S**

(45) **Date of Patent:** **** Aug. 11, 2015**

(54) **FIRE PREVENTER**

(71) Applicant: **Optimal Fire Prevention Systems LLC, Rahway, NJ (US)**

(72) Inventors: **William A Piegari, Westfield, NJ (US); Mel Appelbaum, Morristown, NJ (US)**

(73) Assignee: **OPTIMAL FIRE PREVENTION SYSTEMS, LLC, Rahway, NJ (US)**

(**) Term: **14 Years**

(21) Appl. No.: **29/462,423**

(22) Filed: **Aug. 2, 2013**

(51) **LOC (10) Cl.** **29-01**

(52) **U.S. Cl.**
USPC **D29/125**

(58) **Field of Classification Search**
USPC D29/125-130; D6/561, 441, 446, 447, D6/553; 169/51, 70, 74, 84; 312/242, 312/138.1, 245, 247, 139
CPC A62C 3/065; A62C 5/022; A62C 31/12; A62C 35/00
See application file for complete search history.

(56) **References Cited**

U.S. PATENT DOCUMENTS

2,025,782 A * 12/1935 Seat 169/41
2,287,873 A * 6/1942 Geertz et al. 169/71
3,403,733 A * 10/1968 Terry 169/49
3,880,176 A * 4/1975 Horne 134/167 C

D243,282 S * 2/1977 Burenga D15/9
4,023,621 A * 5/1977 Olson 169/68
D321,066 S * 10/1991 Nieman D29/125
5,154,238 A * 10/1992 Buchan 169/62
5,168,795 A * 12/1992 Okada 99/326
5,180,018 A * 1/1993 Taylor 169/47
5,240,656 A * 8/1993 Scheeres 264/297.1
5,325,994 A * 7/1994 Mizialko et al. 222/54
6,317,053 B1 * 11/2001 Seeliger et al. 340/693.5
7,886,837 B1 * 2/2011 Helfgott 169/54
8,109,341 B1 * 2/2012 Szocs 169/9
D657,393 S * 4/2012 Pauwels et al. D15/9

* cited by examiner

Primary Examiner — Randall Gholson

(74) *Attorney, Agent, or Firm* — Kumar K. Maheshwari

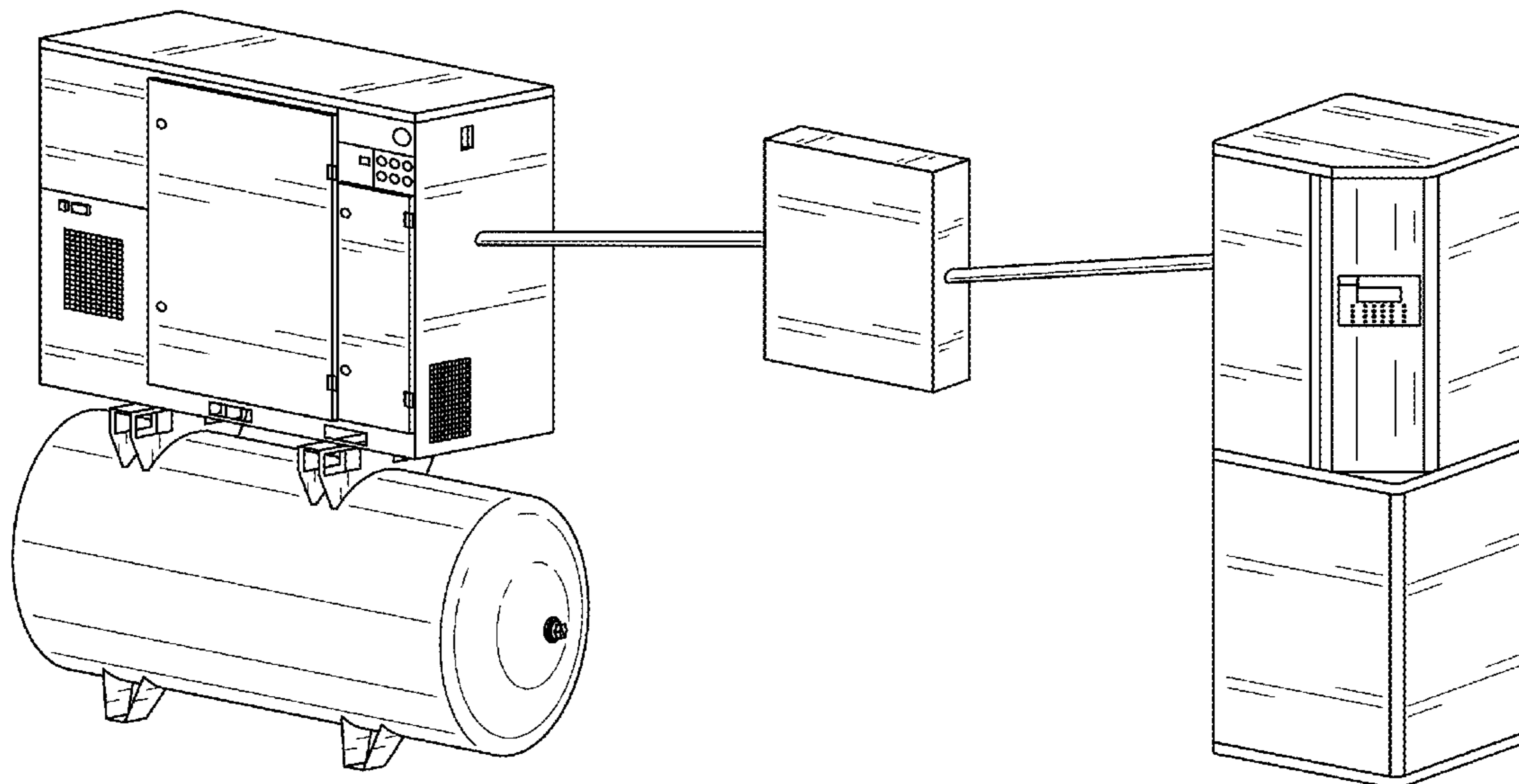
(57) **CLAIM**

We claim the ornamental design for a fire preventer, as shown and described.

DESCRIPTION

FIG. 1 is a perspective view of the claimed design;
FIG. 2 is a front orthogonal view of the claim design;
FIG. 3 is a rear orthogonal view of the claimed design;
FIG. 4 is a left side orthogonal view of the claimed design;
FIG. 5 is a right side orthogonal view of the claimed design;
FIG. 6 is a top orthogonal view of the claimed design; and,
FIG. 7 is a bottom orthogonal view of the claimed design.
The broken lines depict portions of the fire preventer that form no part of the claimed design.

1 Claim, 7 Drawing Sheets



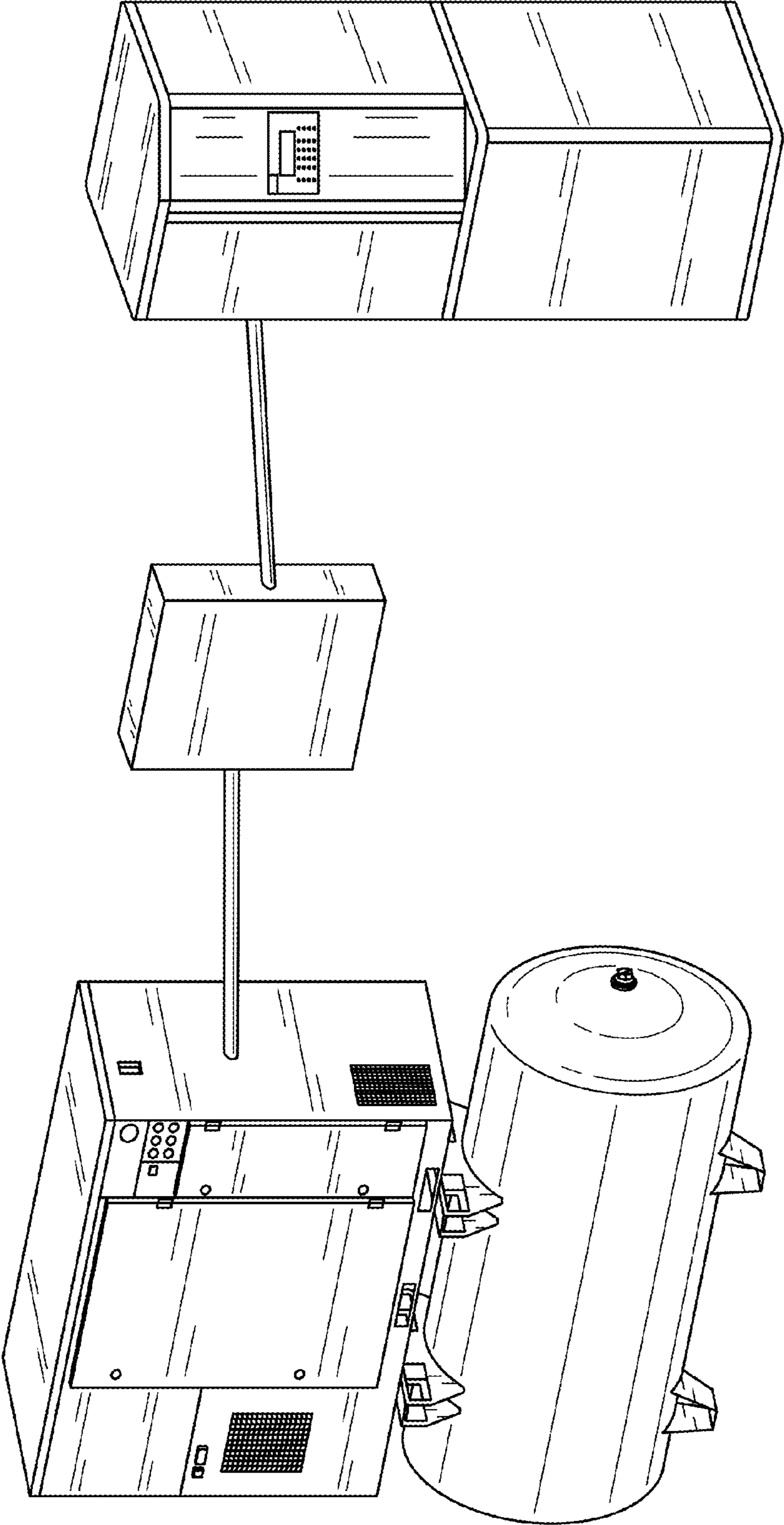


FIG. 1

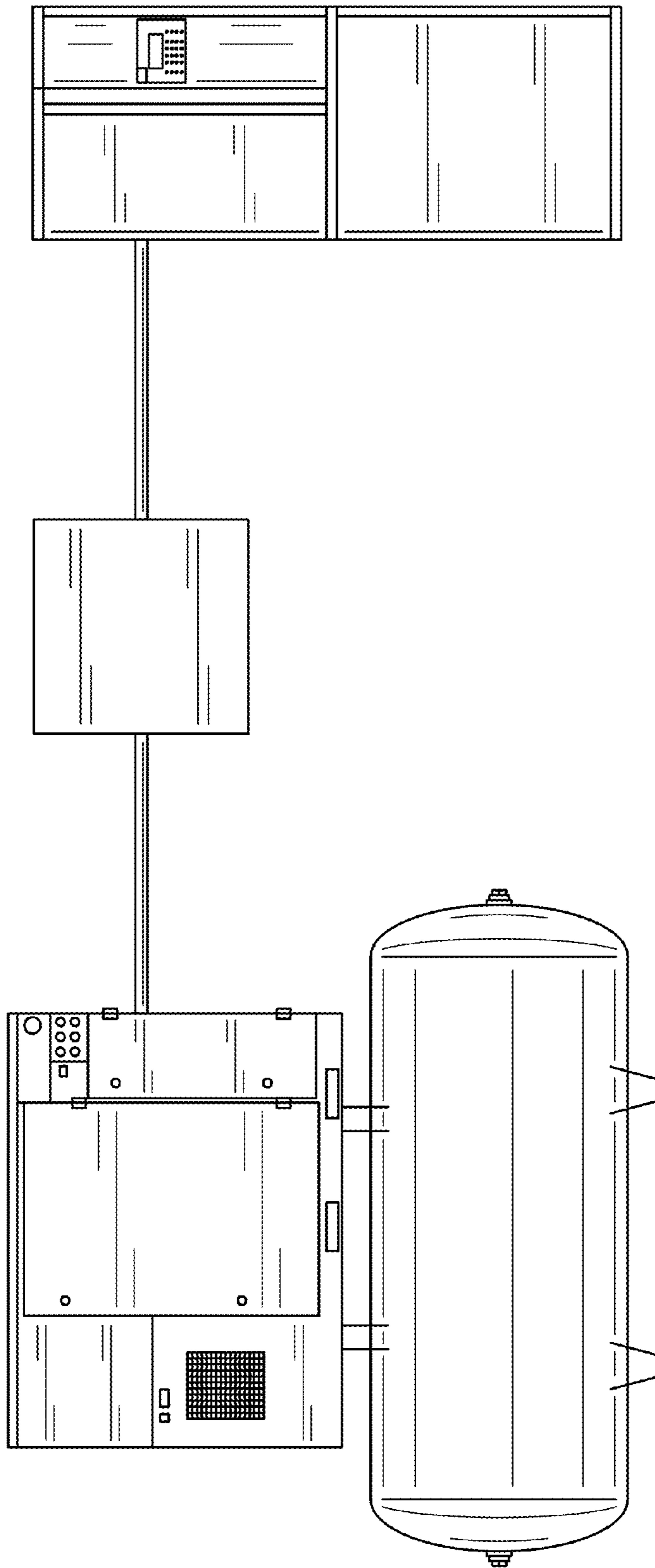


FIG. 2

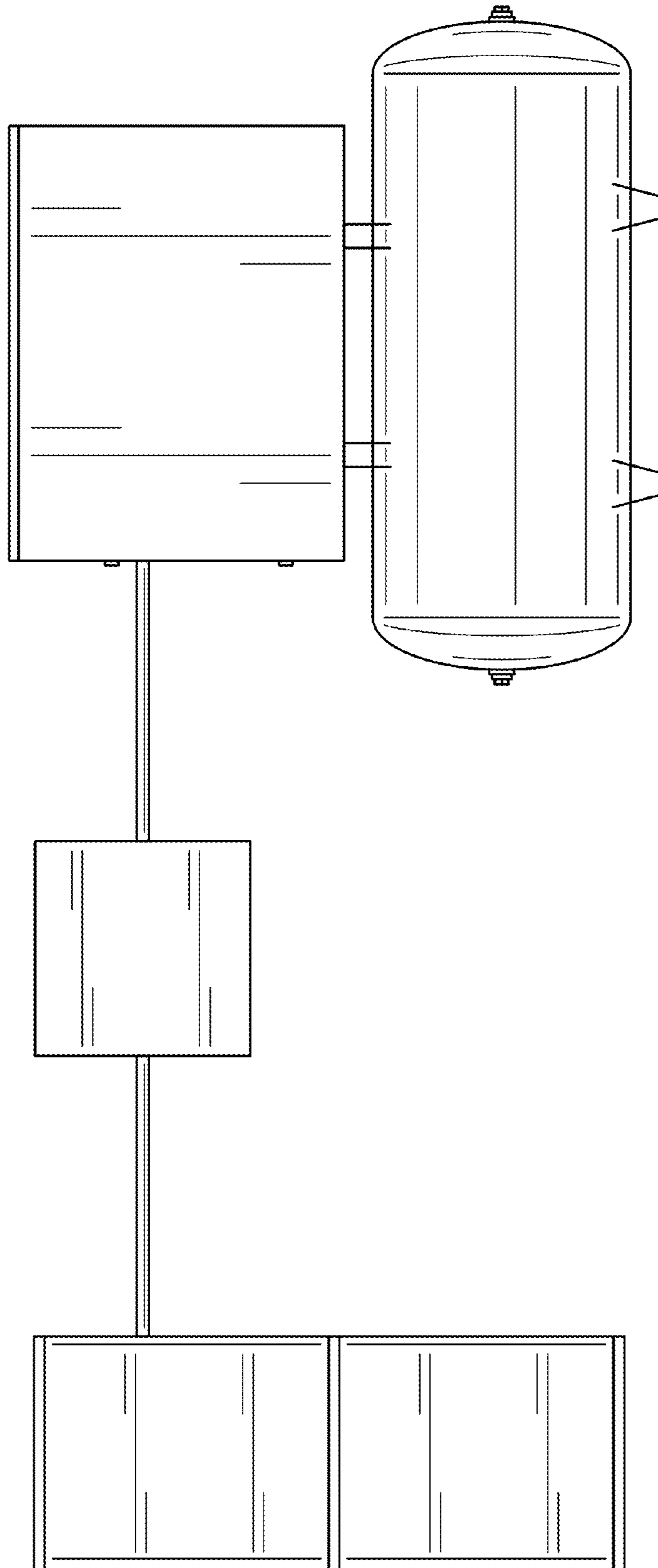


FIG. 3

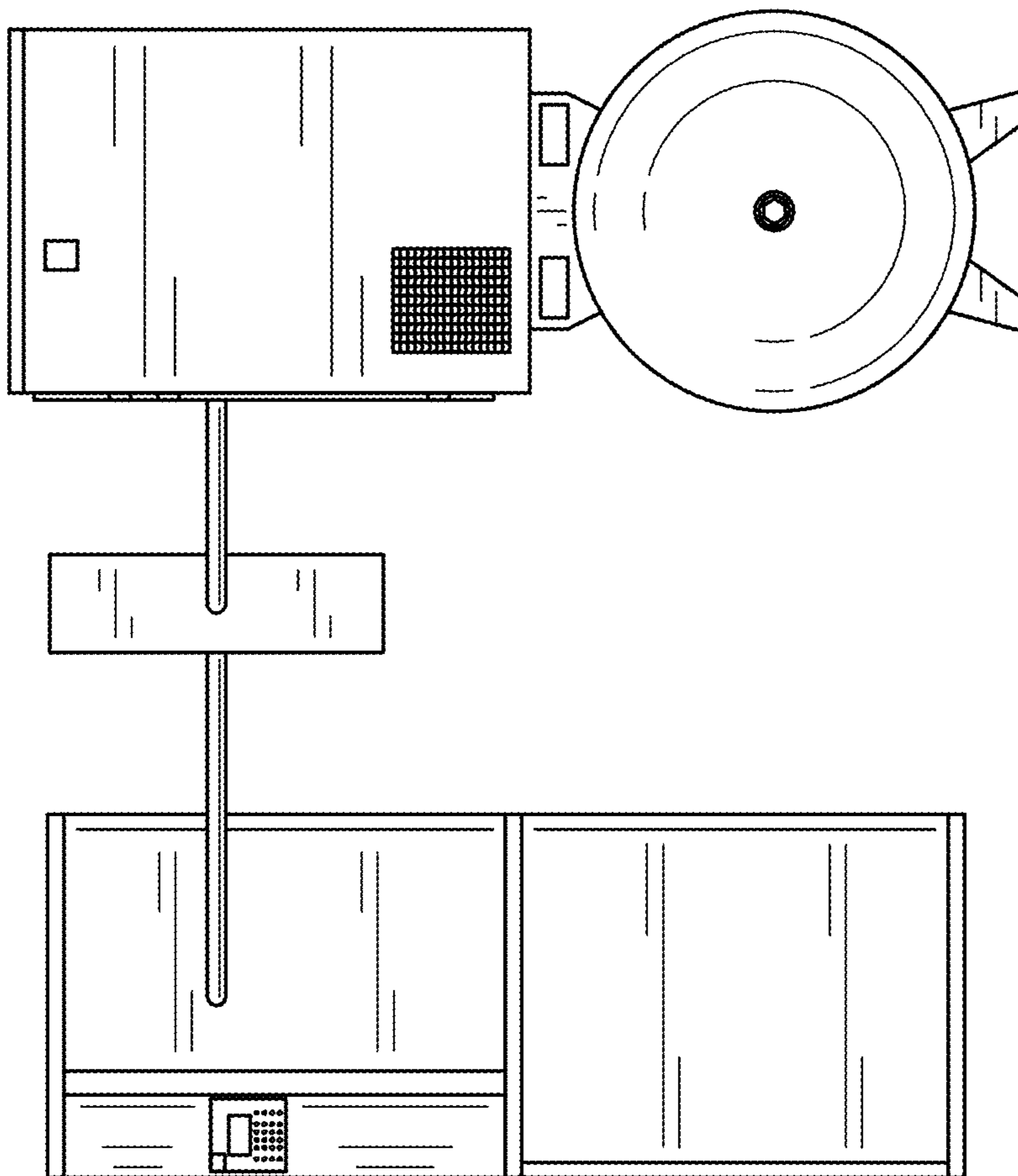


FIG. 4

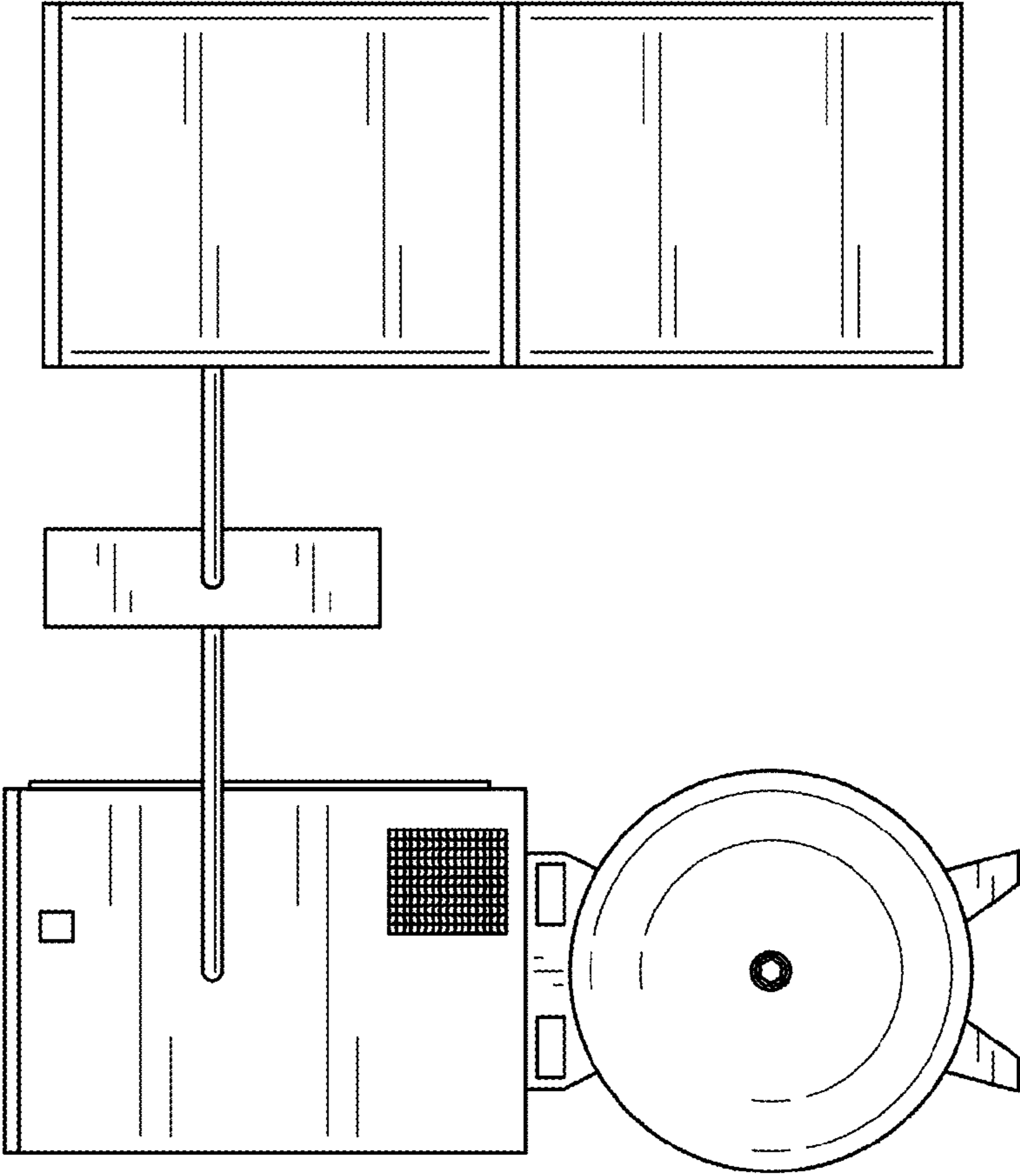


FIG. 5

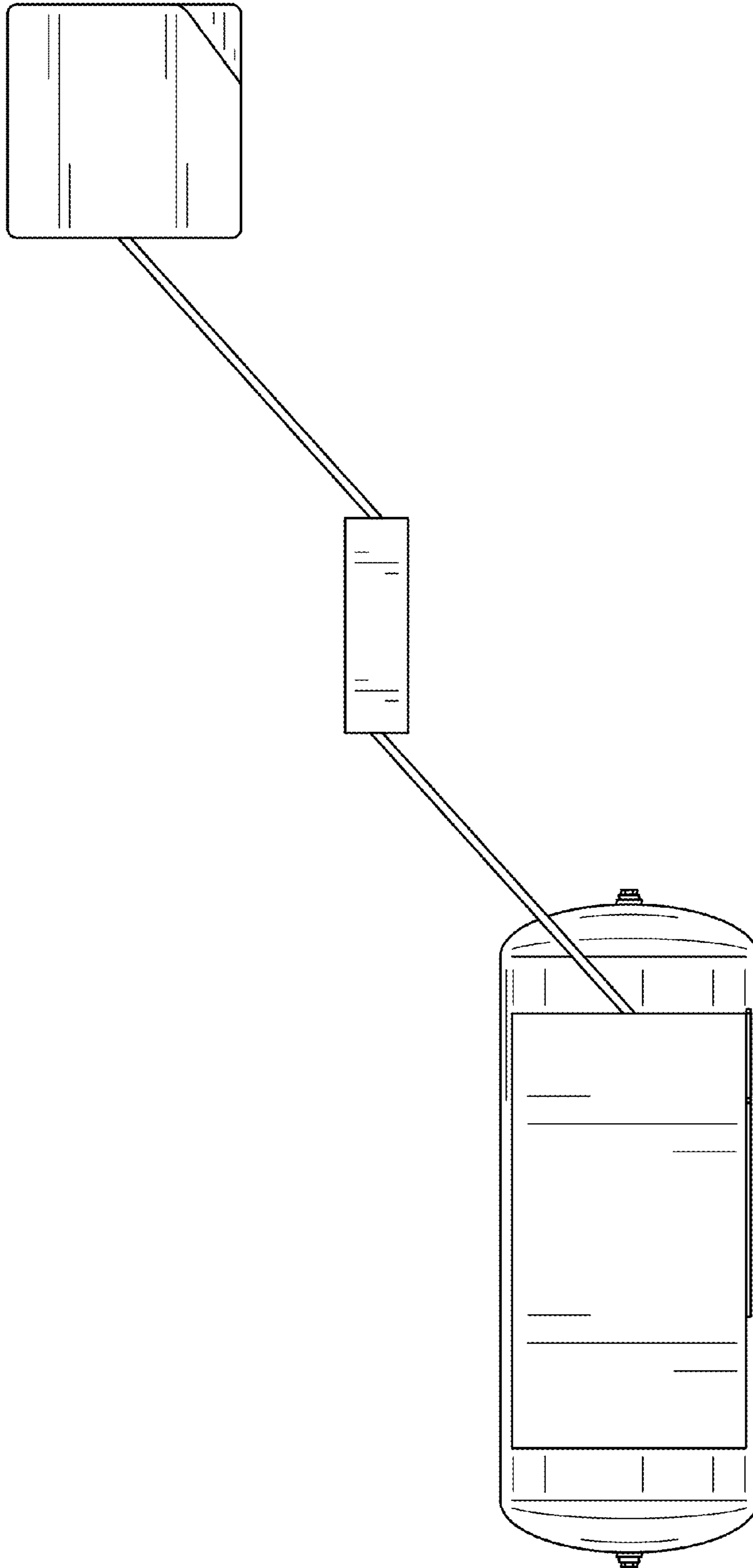


FIG. 6

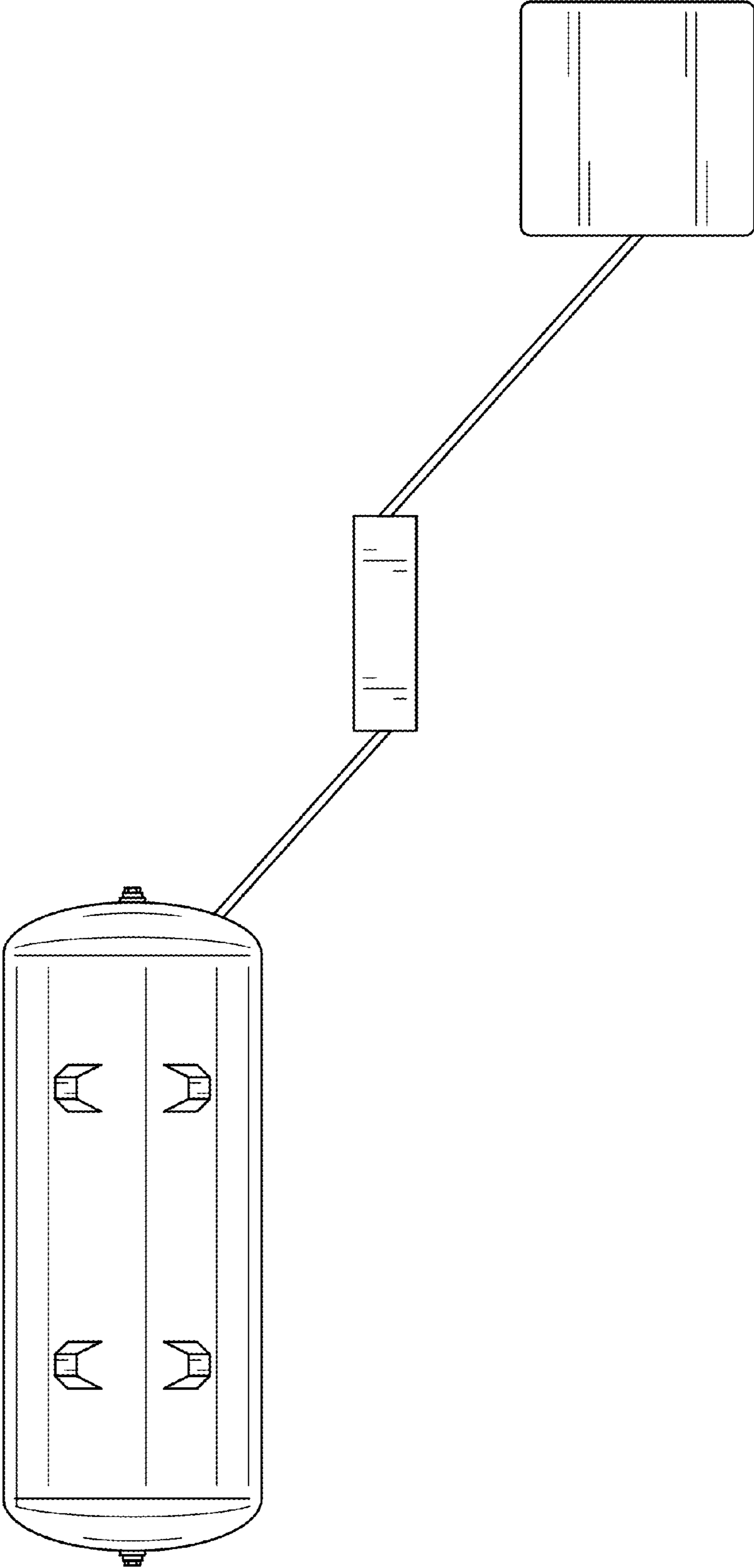


FIG. 7