



US00D736465S

(12) **United States Design Patent**
Carey

(10) **Patent No.:** **US D736,465 S**
(45) **Date of Patent:** **** Aug. 11, 2015**

(54) **THREE FINGER HAIR CLIP**

DESCRIPTION

(71) Applicant: **Bojana Carey**, Elmhurst, IL (US)

(72) Inventor: **Bojana Carey**, Elmhurst, IL (US)

(**) Term: **14 Years**

(21) Appl. No.: **29/507,642**

(22) Filed: **Oct. 29, 2014**

Related U.S. Application Data

(63) Continuation of application No. 13/791,146, filed on Mar. 8, 2013, now Pat. No. 9,072,356.

(51) **LOC (10) CL.** **28-03**

(52) **U.S. CL.**
USPC **D28/40**

(58) **Field of Classification Search**
USPC D28/21-34, 39-43; 132/101, 126,
132/128-131, 144, 148, 219, 275-284
CPC A45D 8/02; A45D 8/20; A45D 8/24
See application file for complete search history.

(56) **References Cited**

U.S. PATENT DOCUMENTS

D270,296 S *	8/1983	Thomas	D28/31
D380,864 S *	7/1997	Deakin et al.	D28/40
D473,014 S *	4/2003	Shyu	D28/40
D561,394 S *	2/2008	Pichon	D28/40
D637,348 S *	5/2011	Richmond et al.	D28/40
2013/0233337 A1	9/2013	Carey		

* cited by examiner

Primary Examiner — Zenia Bennett

(74) *Attorney, Agent, or Firm* — Andrew Alia

(57) **CLAIM**

The ornamental design for a three finger hair clip, as shown and described.

FIG. 1 is a rear perspective view of the three finger hair clip showing my new design;

FIG. 2 is a front elevation view of the three finger hair clip;

FIG. 3 is a bottom plan view of the three finger hair clip;

FIG. 4 is an exploded view showing the two clipping elements, the torsion spring and the pin separately for convenience of illustration;

FIG. 5 is a front perspective view of the three finger hair clip;

FIG. 6 is another front perspective view of the three finger hair clip in an open configuration.

FIG. 7 is a left elevation view of the left clipping element in FIG. 4 shown separately for convenience of illustration;

FIG. 8 is a right elevation view of the left clipping element in FIG. 4 shown separately for convenience of illustration;

FIG. 9 is a left elevation view of the right clipping element in FIG. 4 shown separately for convenience of illustration;

FIG. 10 is a right side perspective view of the right clipping element in FIG. 4 shown separately for convenience of illustration;

FIG. 11 is a rear bottom perspective view of the three finger hair clip;

FIG. 12 is a bottom plan view of the three finger hair clip in an open configuration;

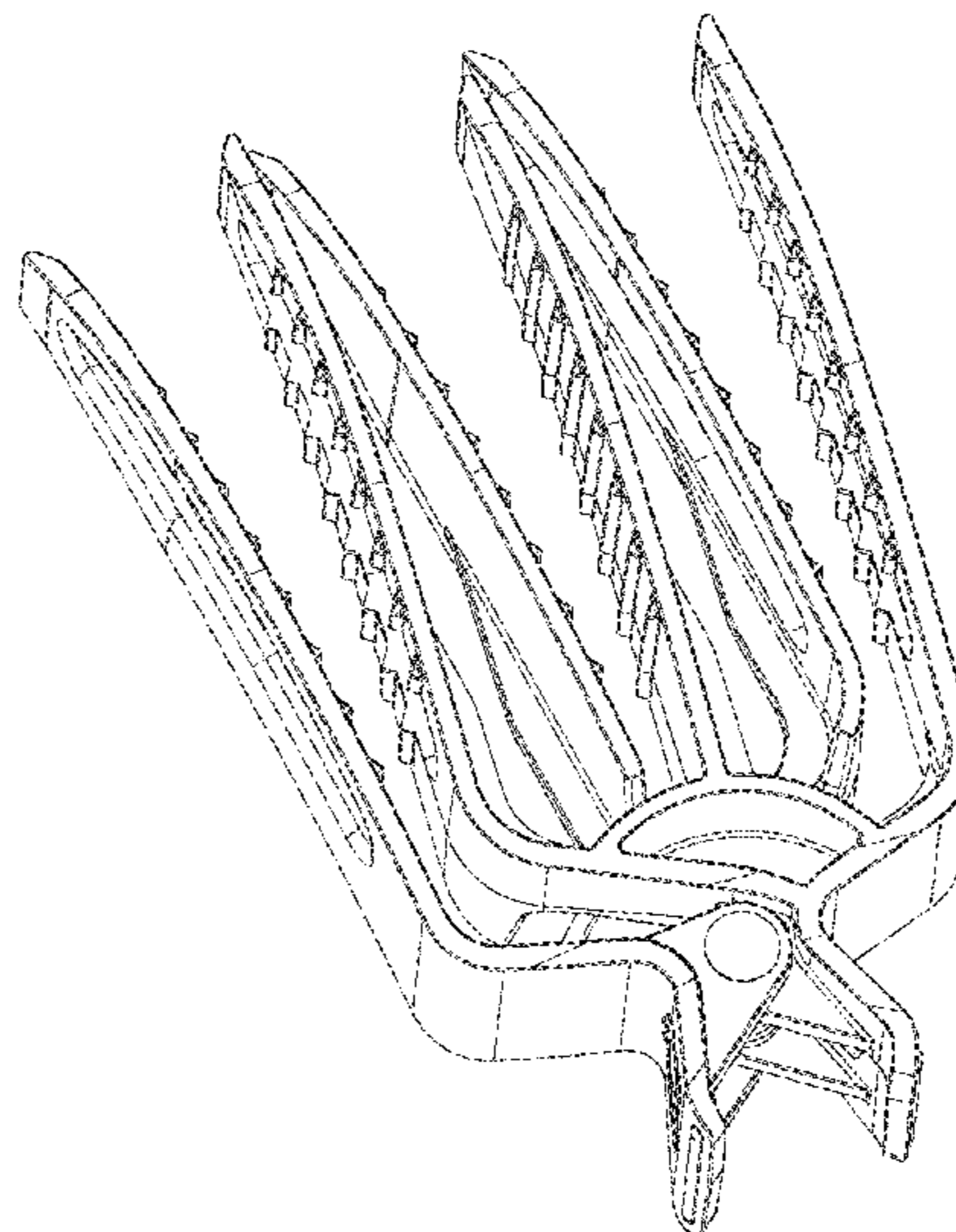
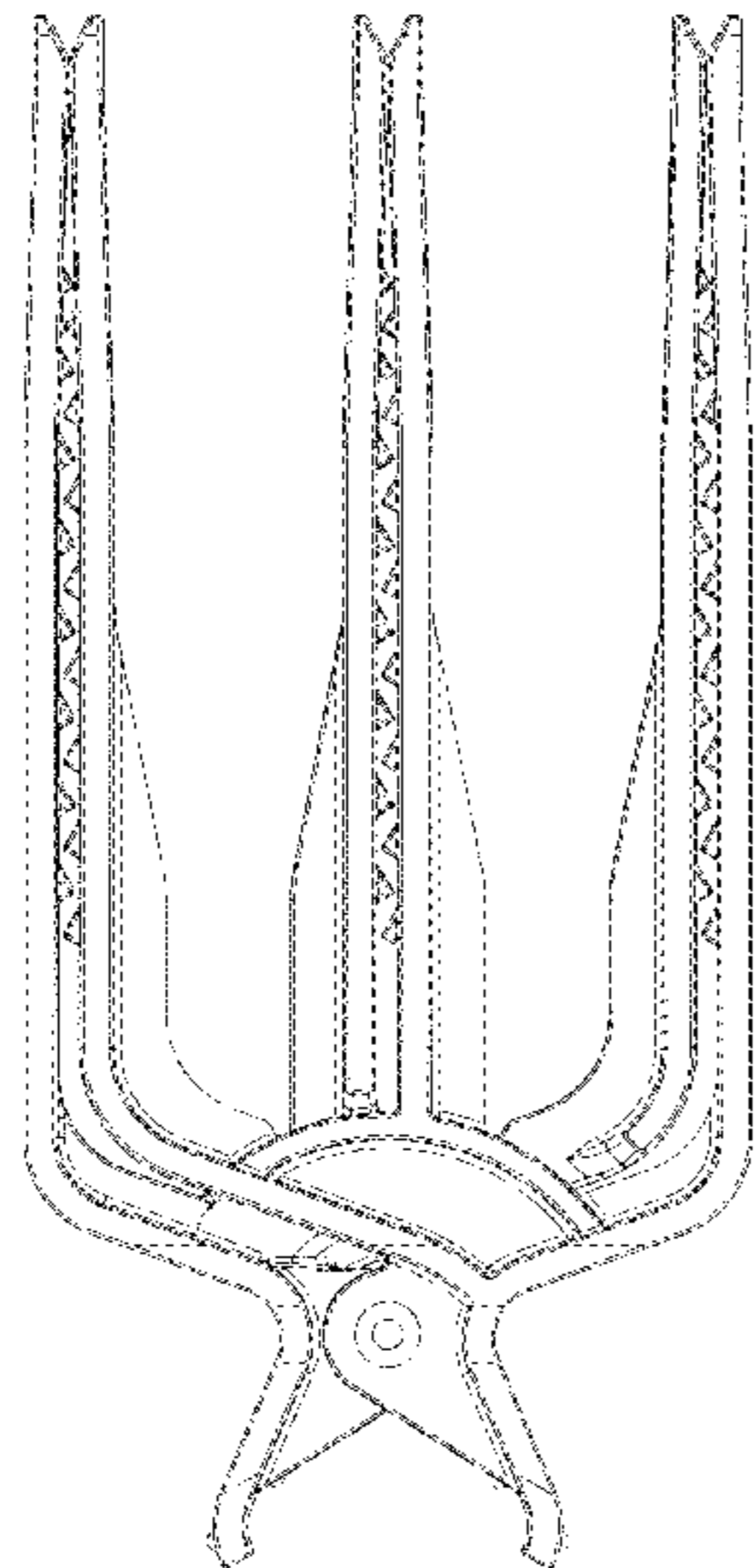
FIG. 13 is a top plan view of the three finger hair clip in a closed configuration;

FIG. 14 is a top perspective view of the three finger hair clip in an open configuration;

FIG. 15 is a front bottom perspective view of the three finger hair clip in an open configuration; and,

FIG. 16 is another perspective view of the three finger hair clip shown in use; the broken lines depicting environmental structures are for illustrative purposes only and do not form part of the claimed design.

1 Claim, 14 Drawing Sheets



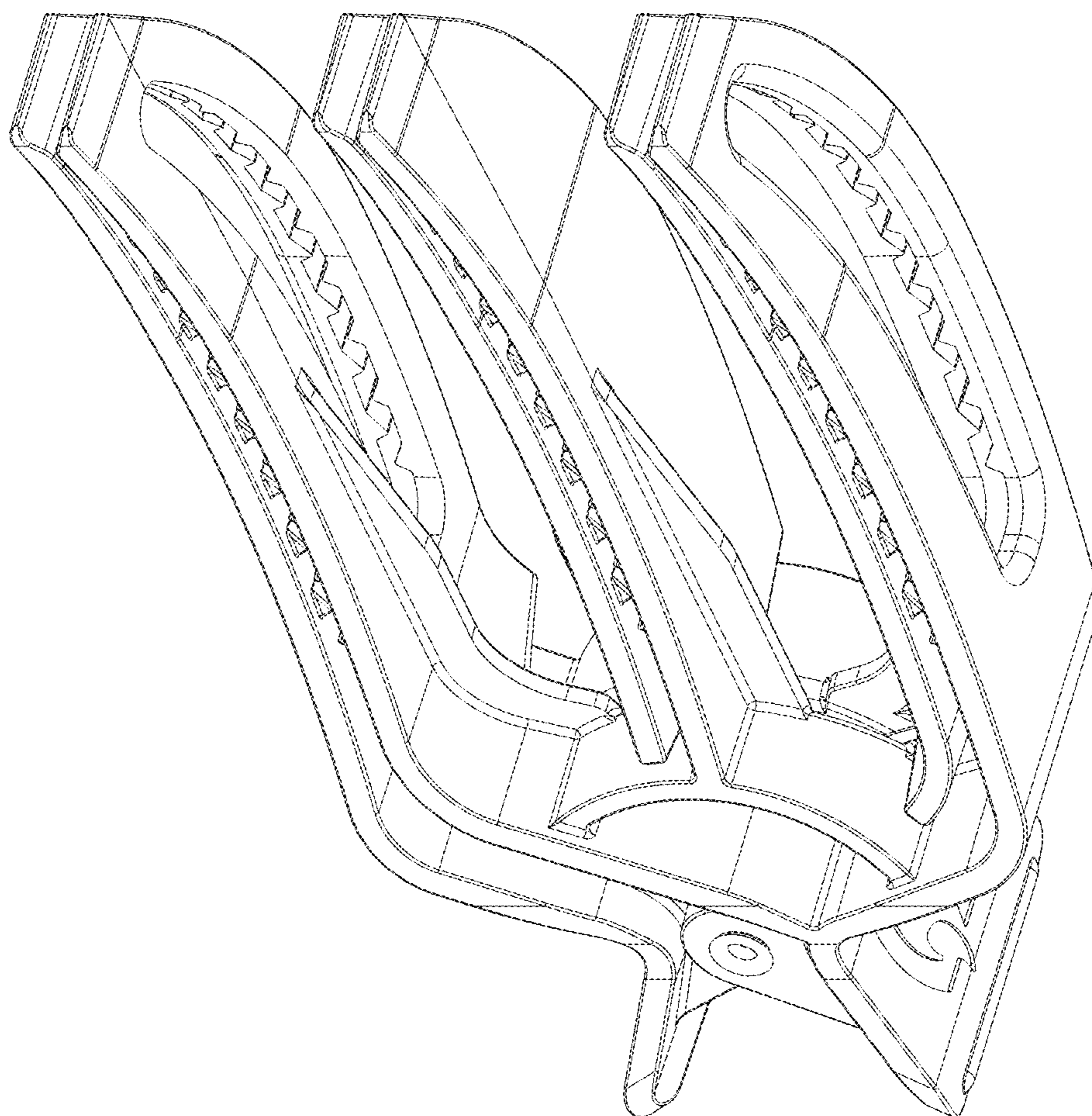


FIG. 1

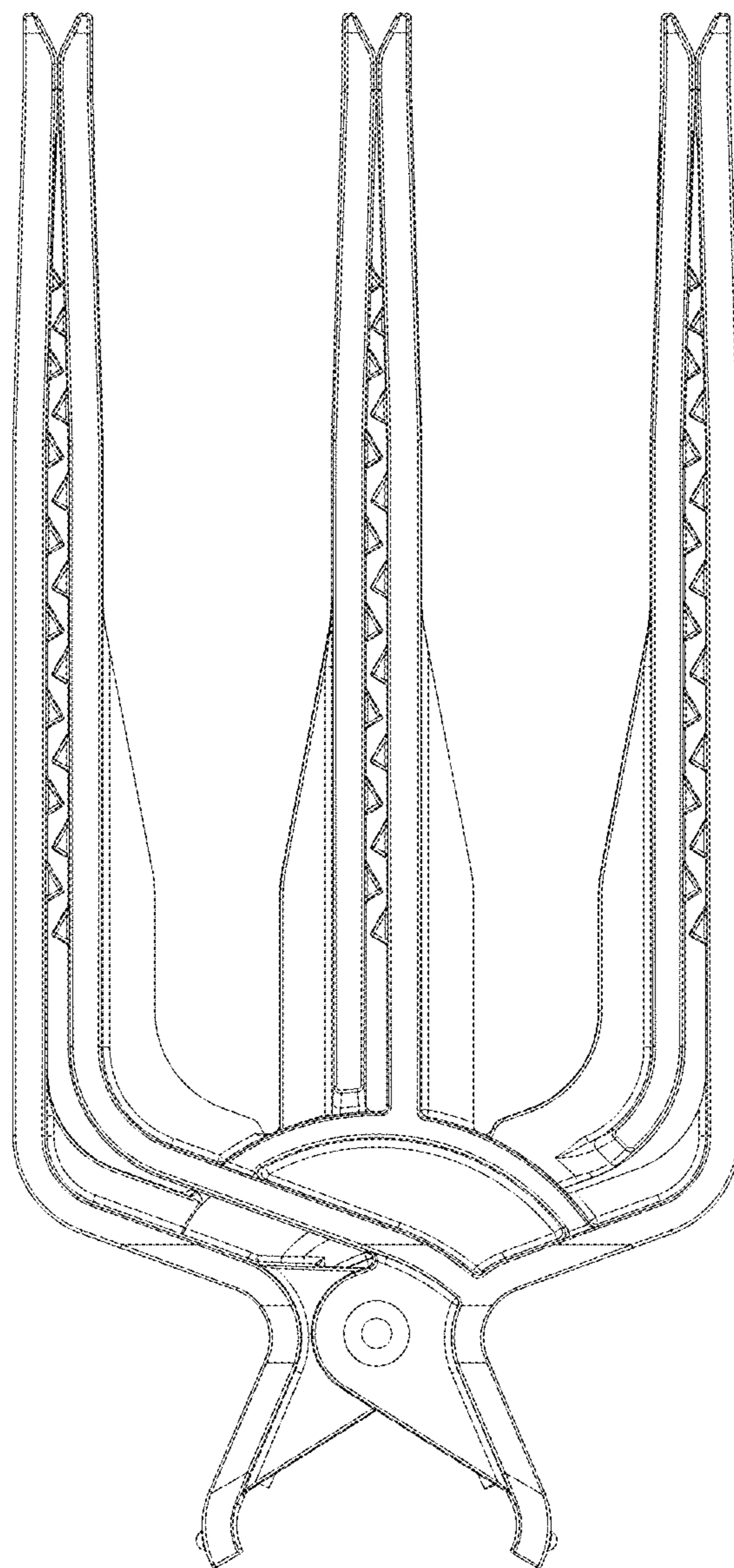


FIG. 2

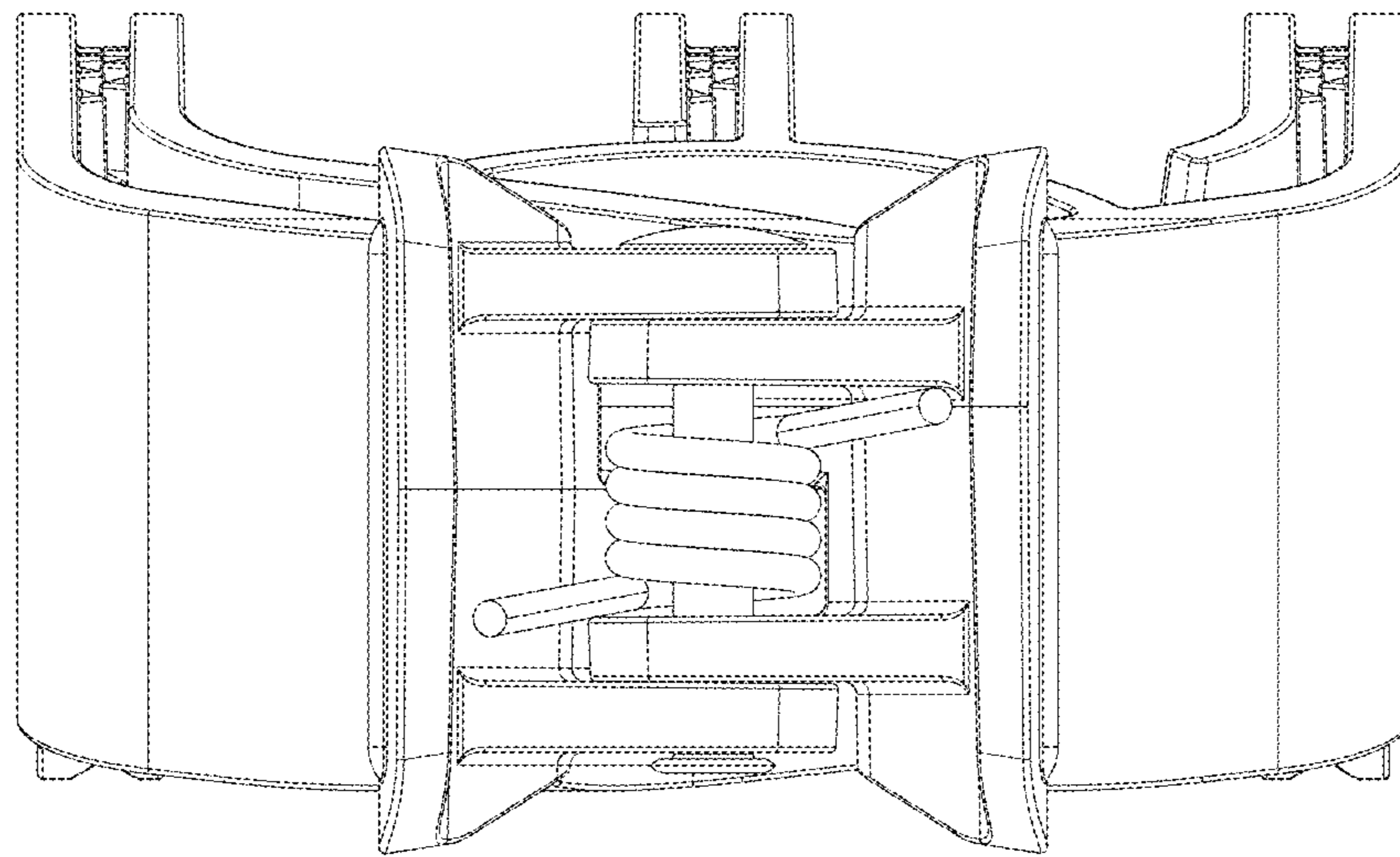


FIG. 3

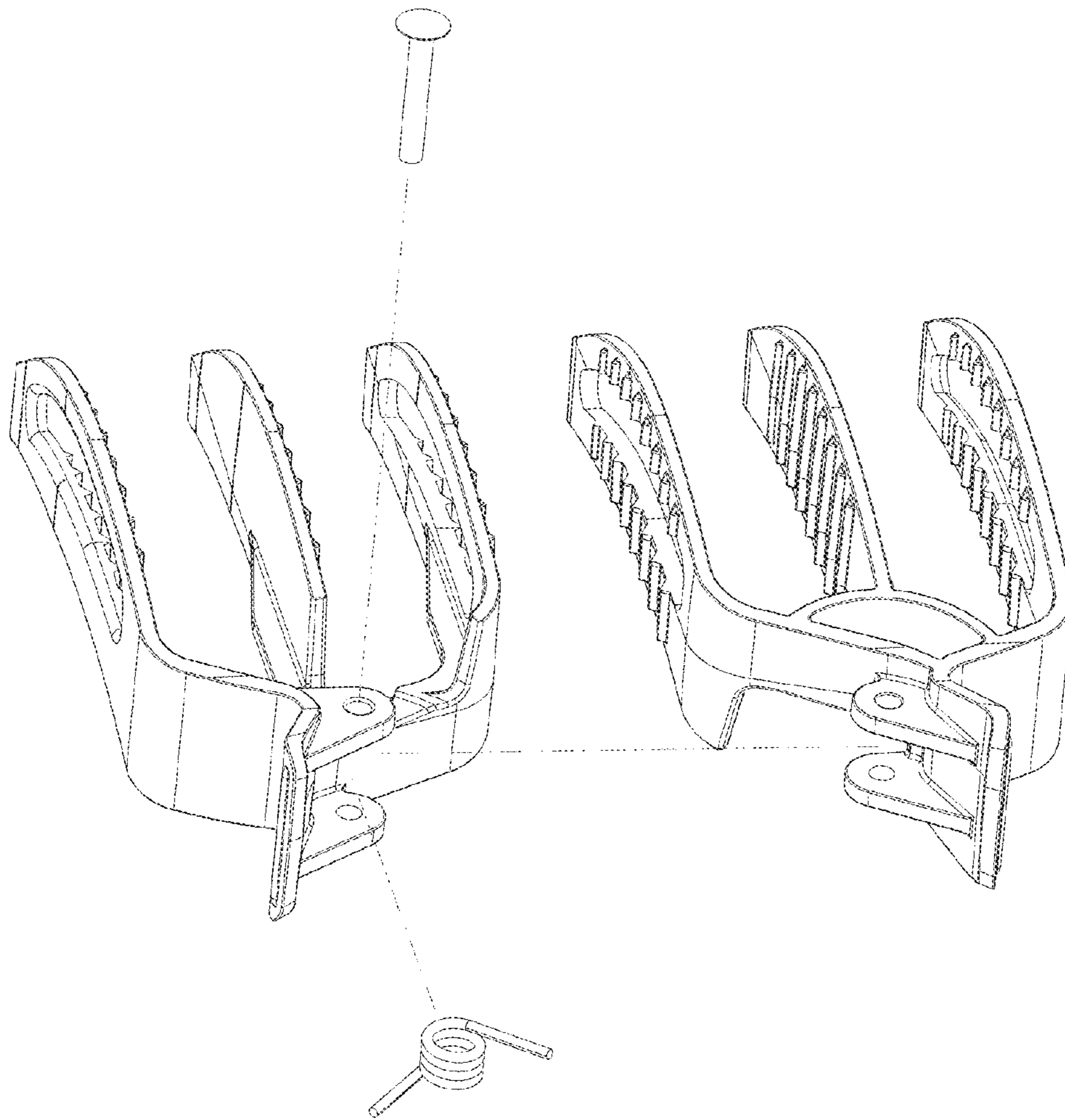


FIG. 4

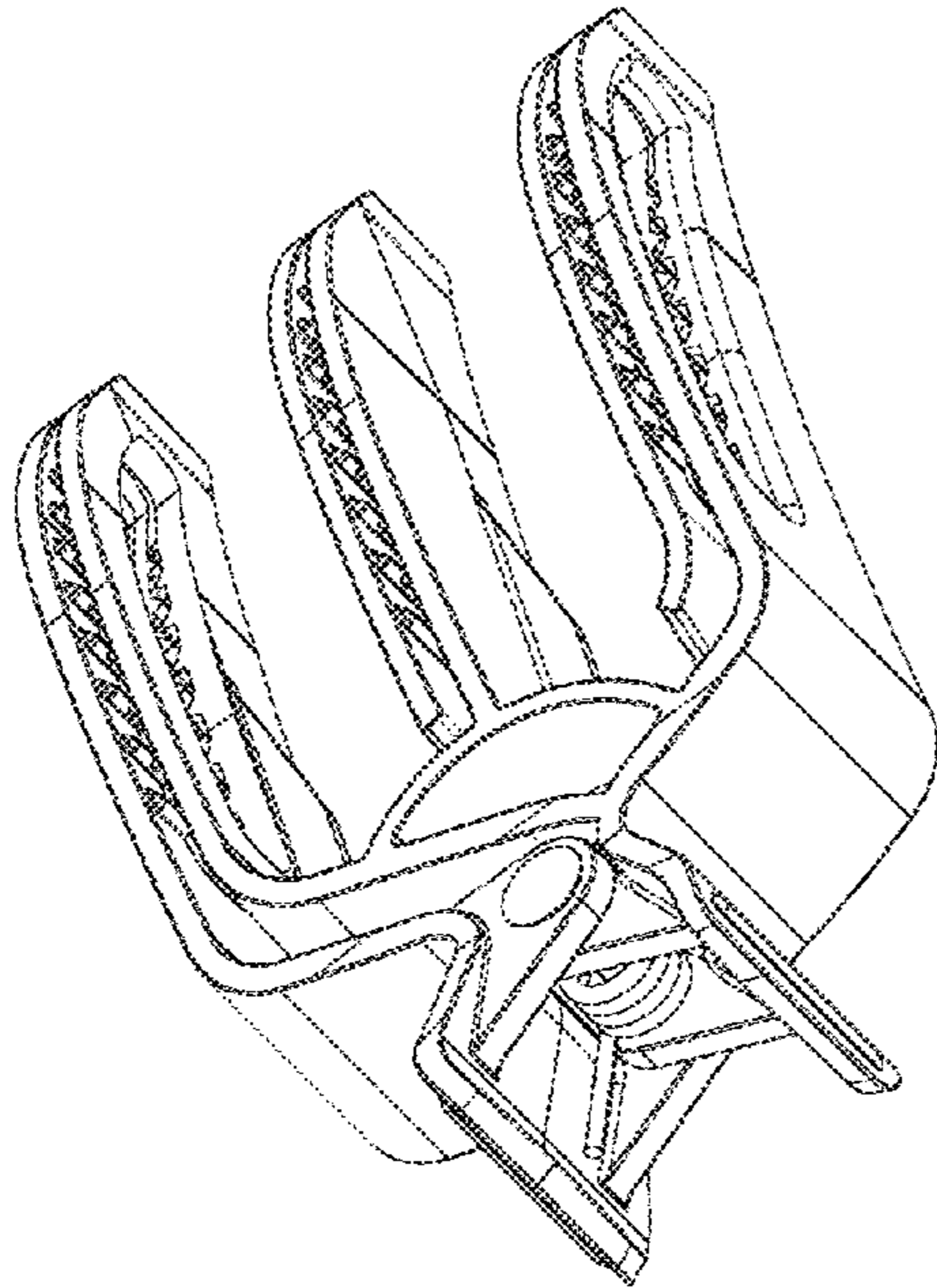


FIG. 5

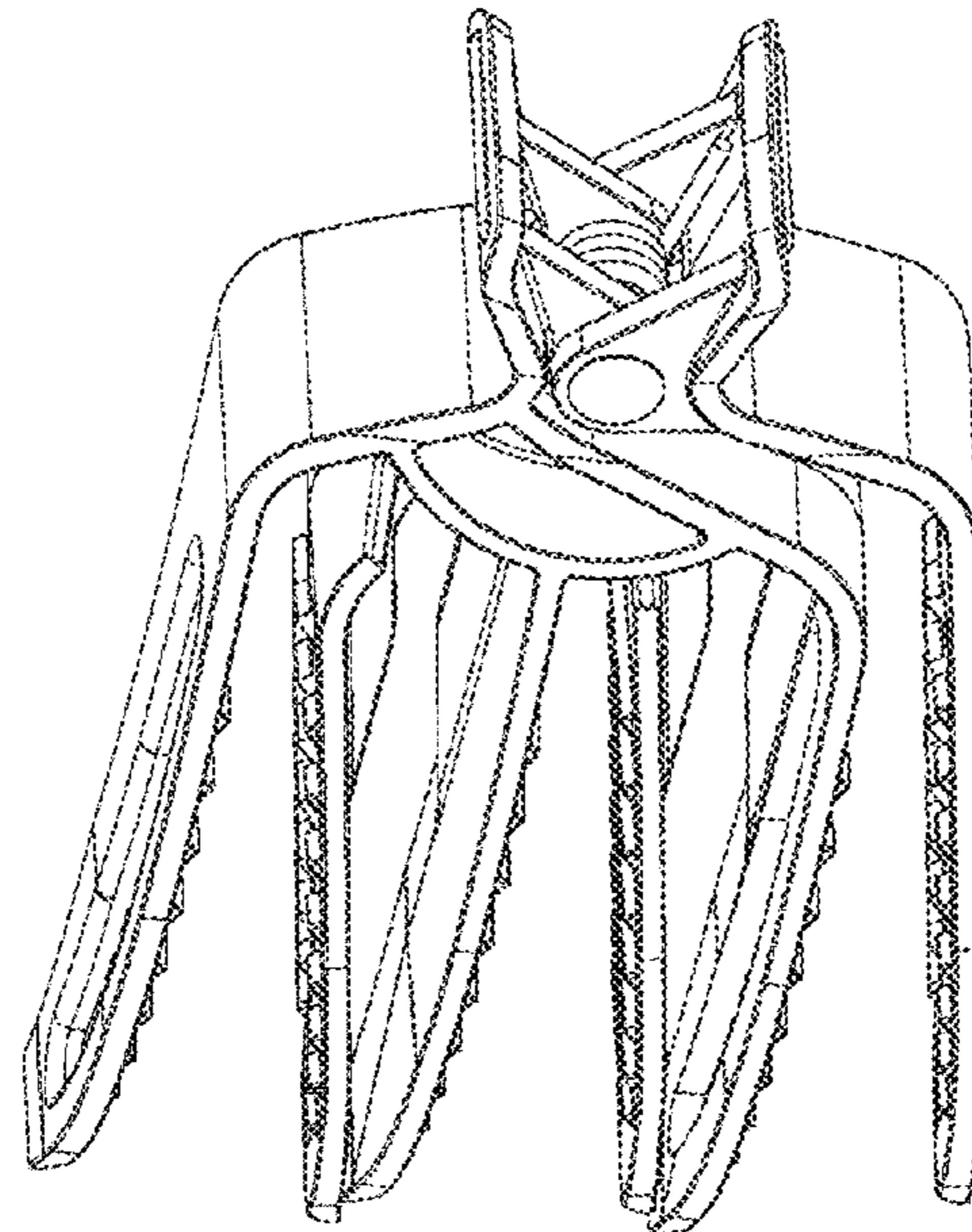
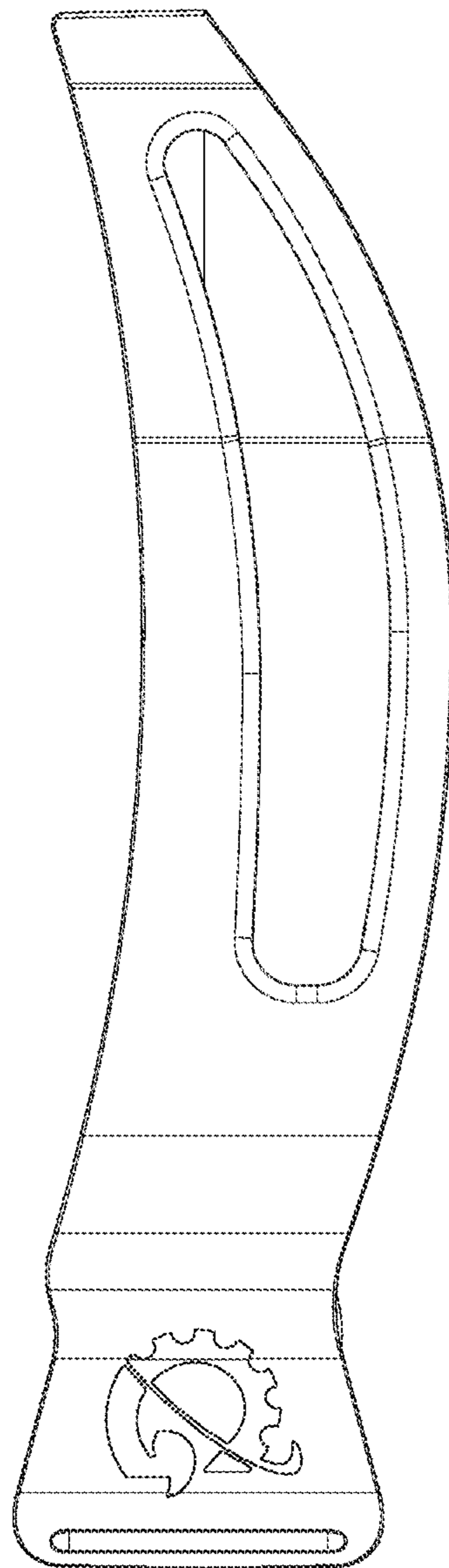


FIG. 6

FIG. 7



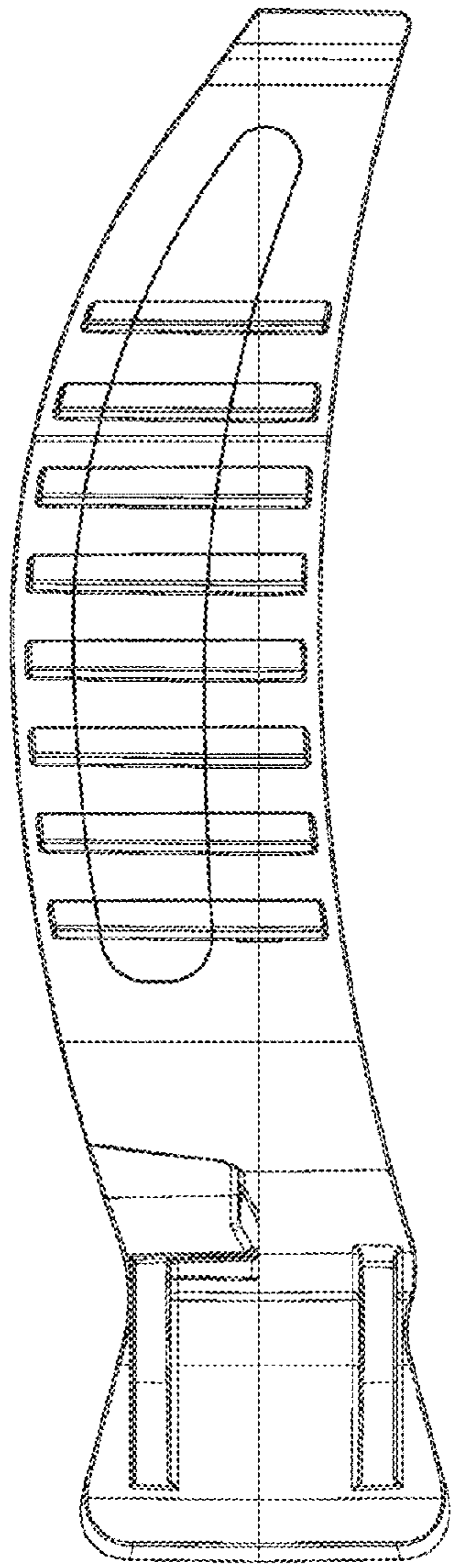


FIG. 8

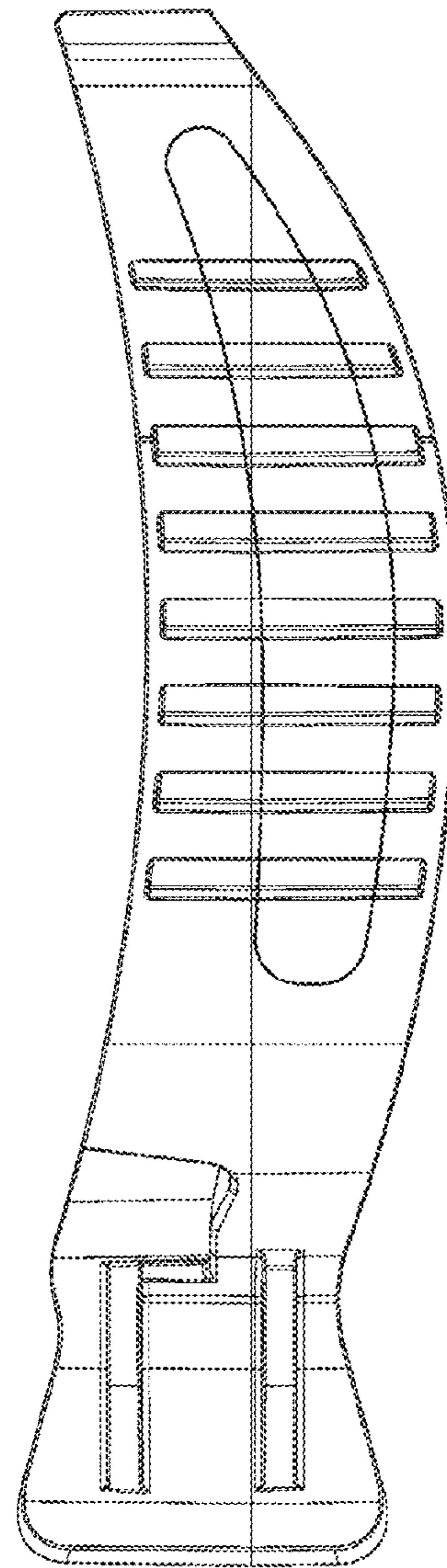


FIG. 9

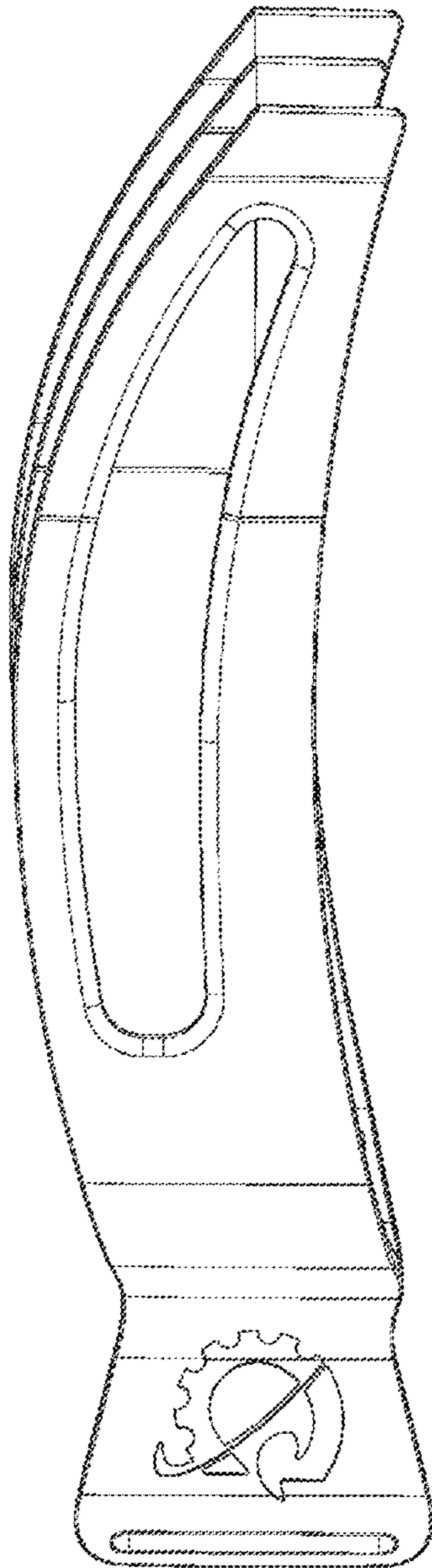


FIG. 10

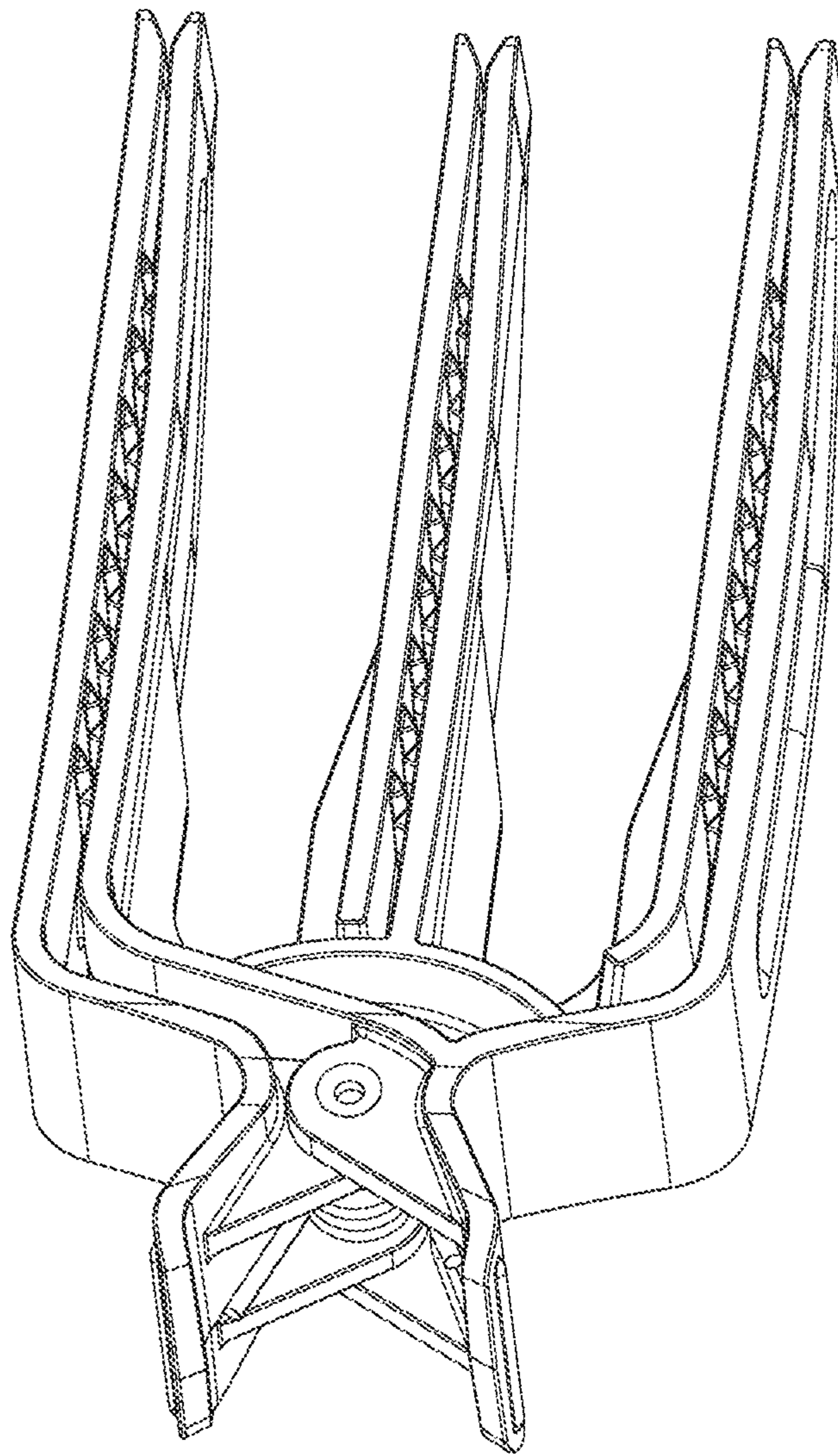


FIG. 11

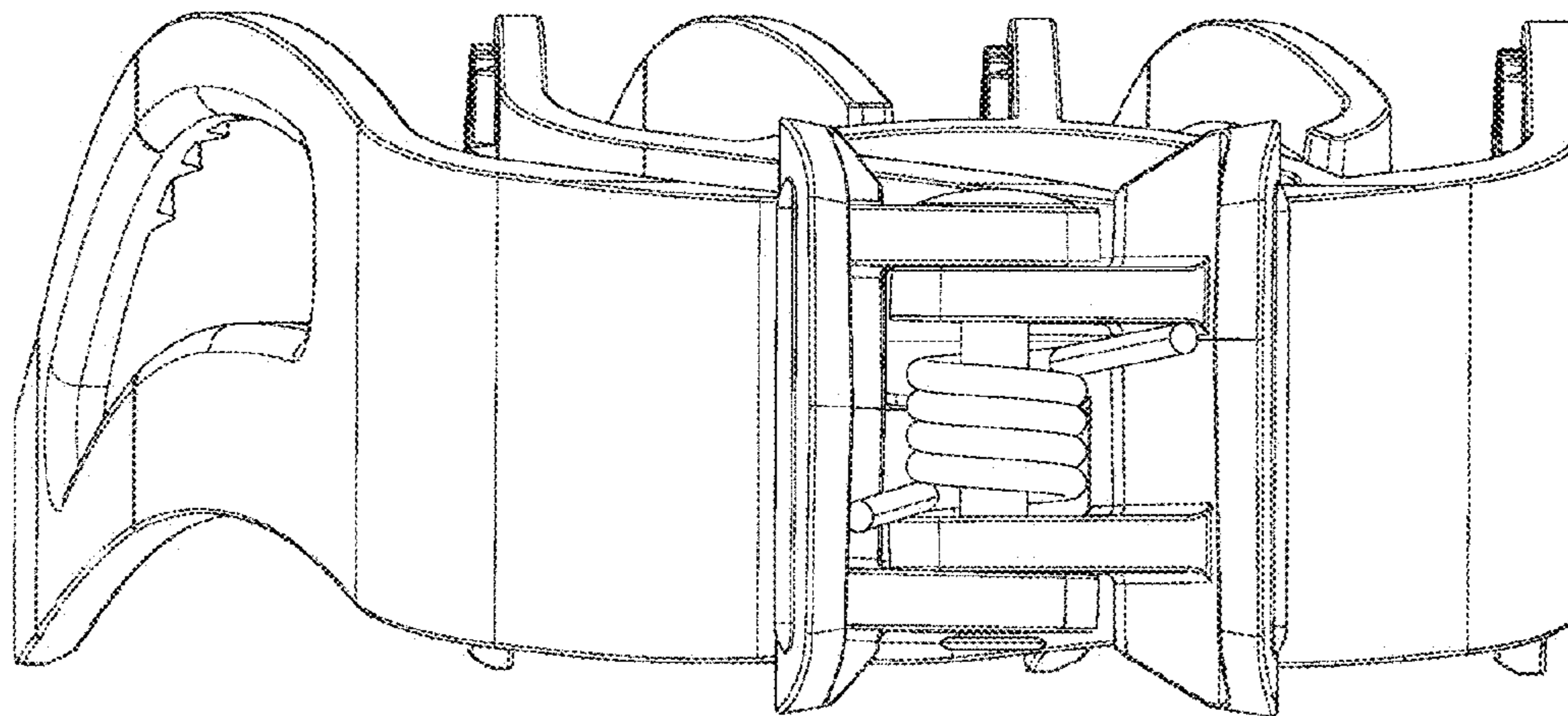


FIG. 12

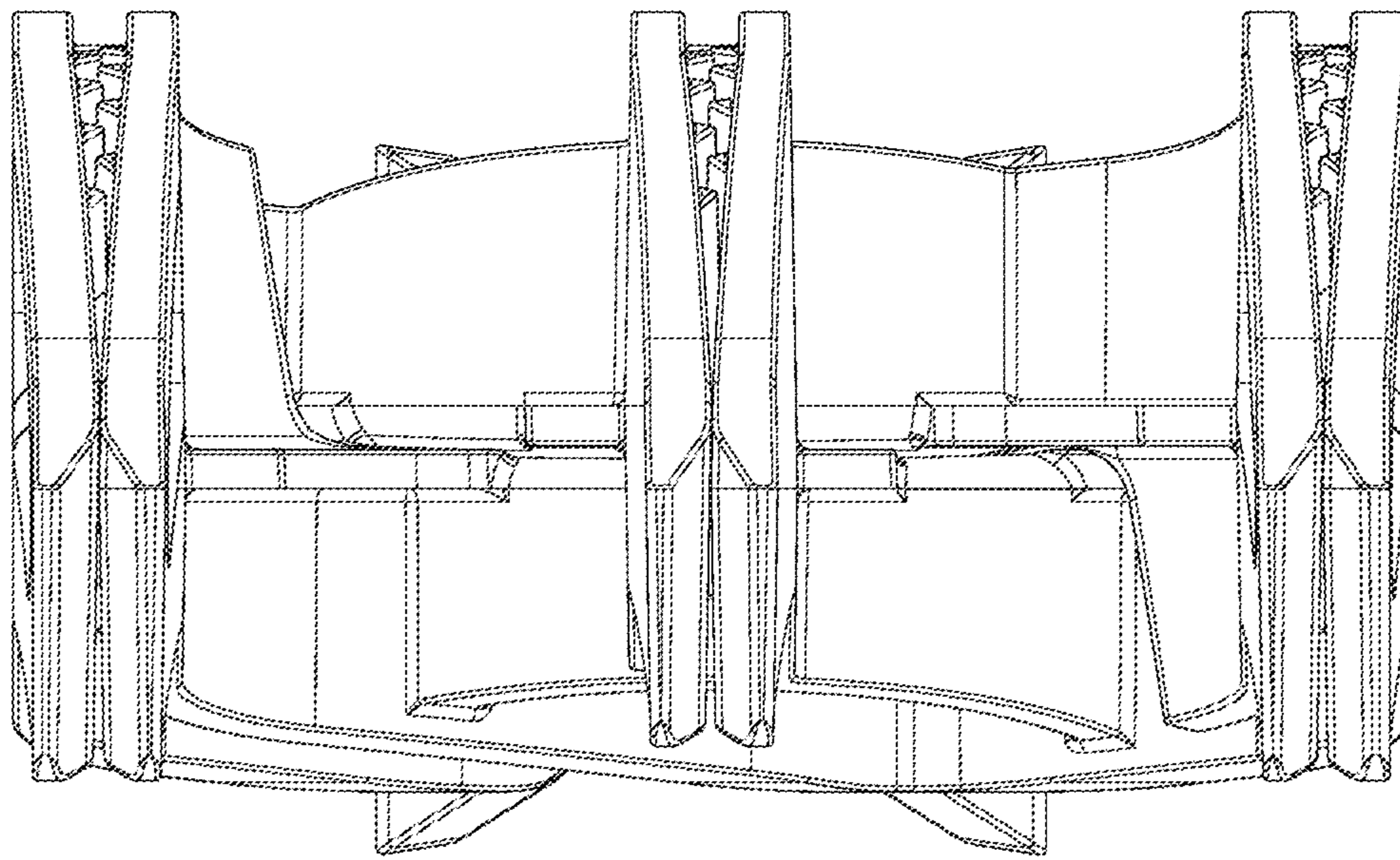


FIG. 13

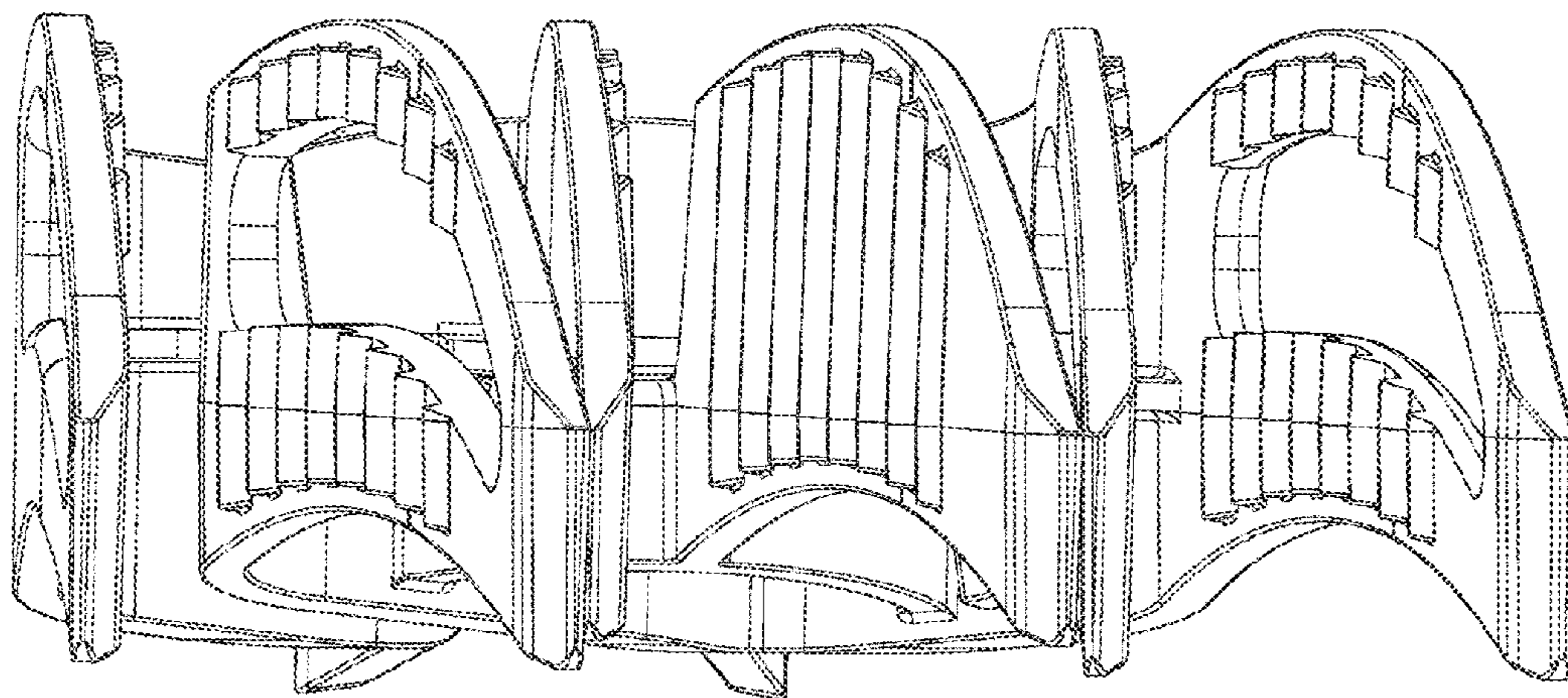


FIG. 14

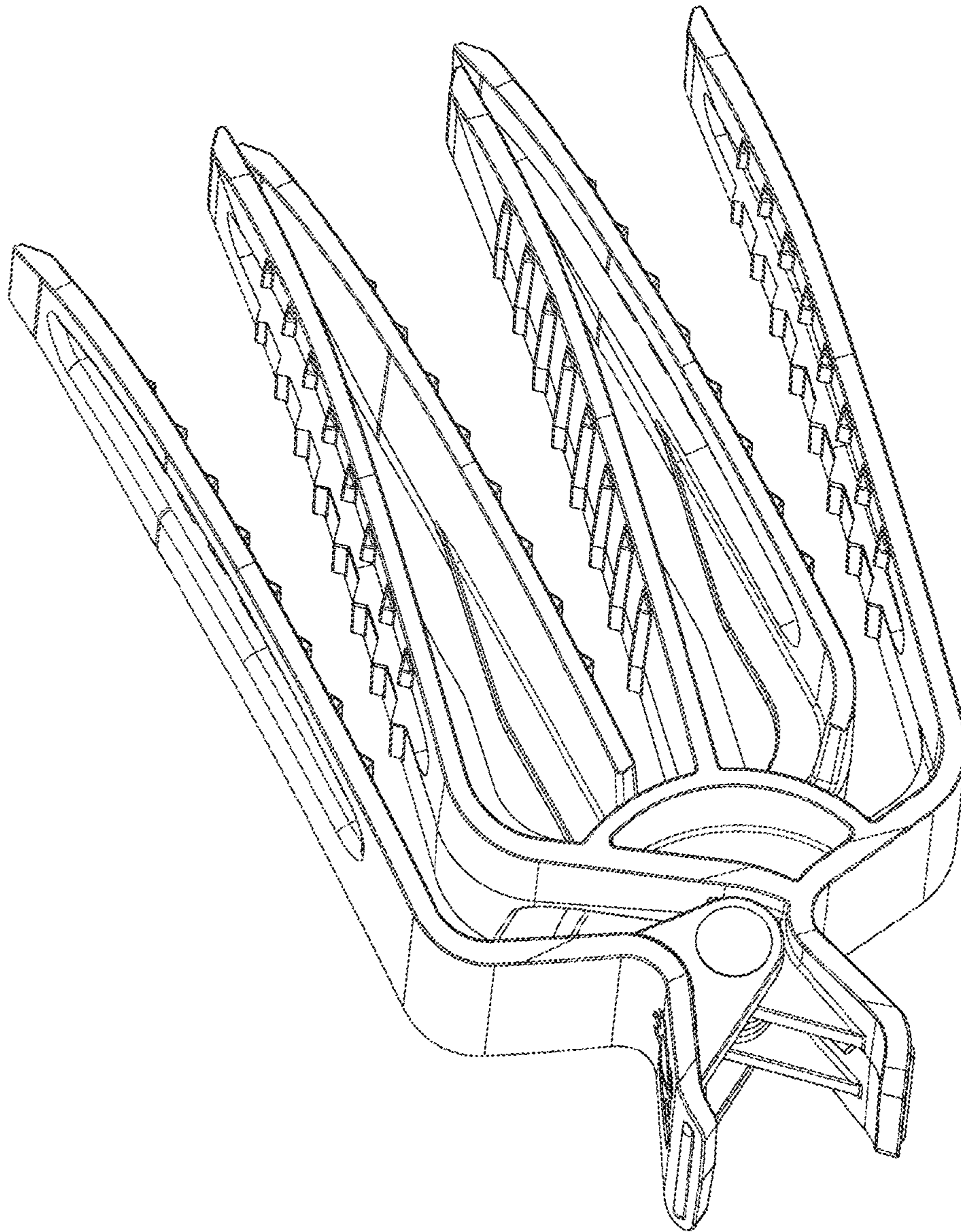


FIG. 15

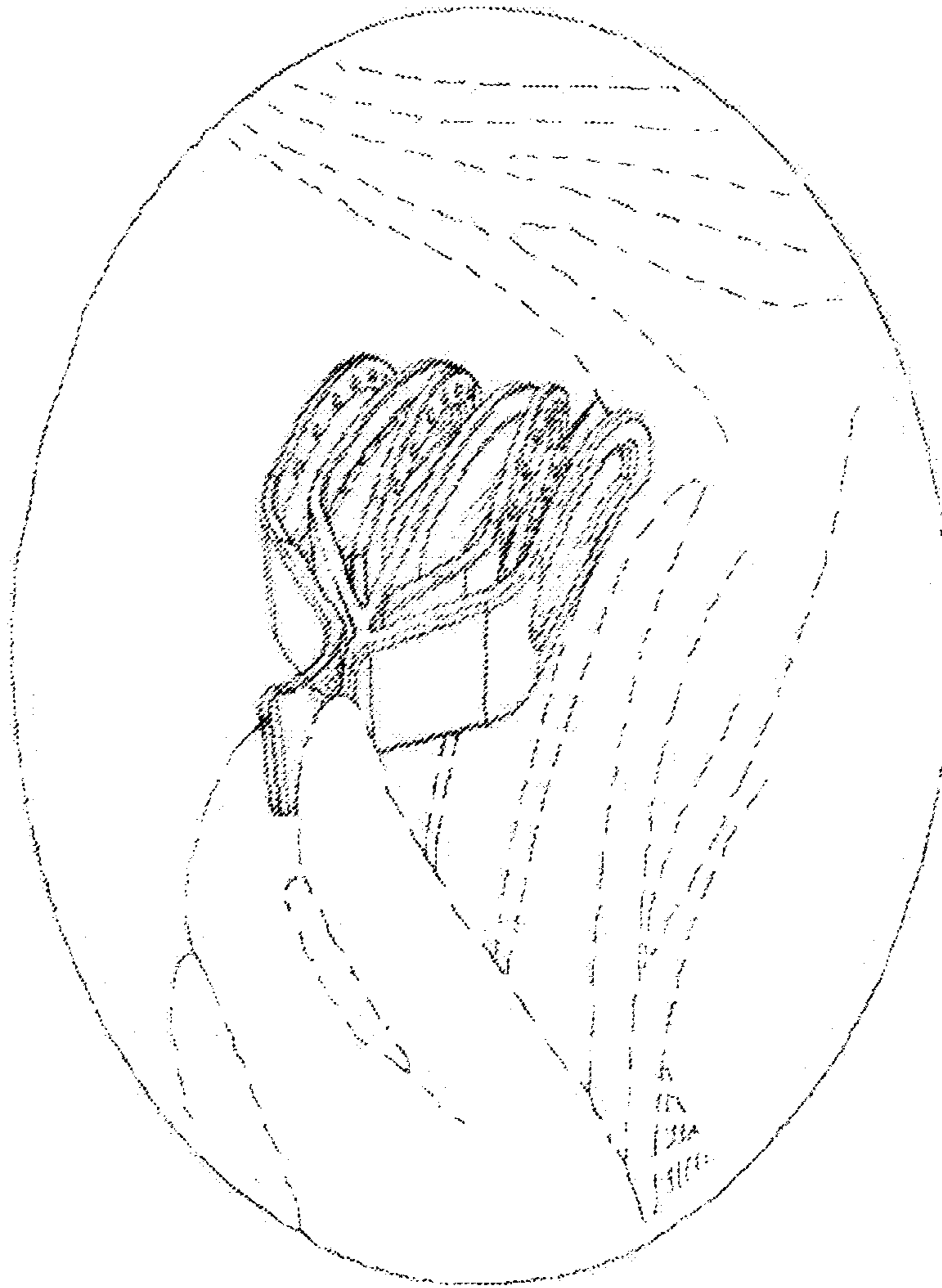


FIG. 16