



US00D736459S

(12) **United States Design Patent**
Liu

(10) **Patent No.:** **US D736,459 S**

(45) **Date of Patent:** **** Aug. 11, 2015**

(54) **ELECTRONIC CIGARETTE CASE**

(71) Applicant: **Qiuming Liu**, Guangdong (CN)

(72) Inventor: **Qiuming Liu**, Guangdong (CN)

(73) Assignee: **KIMREE HI-TECH INC.**, Road Town,
Tortola (VG)

(**) Term: **14 Years**

(21) Appl. No.: **29/471,792**

(22) Filed: **Nov. 5, 2013**

(30) **Foreign Application Priority Data**

Oct. 16, 2013 (CN) 2013 3 0487516

(51) **LOC (10) Cl.** **27-06**

(52) **U.S. Cl.**
USPC **D27/189**

(58) **Field of Classification Search**

USPC D27/129, 141, 144, 152, 153, 157, 160,
D27/172, 174, 175, 183, 186, 187, 189-191,
D27/193, 194; D9/420, 423, 504, 529, 545,
D9/686, 688; D13/108; 206/242, 249, 250,
206/256, 259, 261, 264, 265, 267, 268;
D3/273, 294; 131/270-273, 329-330,
131/347

CPC A24F 13/14; A24F 9/16; A24F 15/00;
A24F 15/12; A24F 15/14; A24F 15/18;
A24F 15/005; A24F 15/20; A24F 23/00;
A24F 23/04

See application file for complete search history.

(56) **References Cited**

U.S. PATENT DOCUMENTS

D322,687 S * 12/1991 Tschudin D27/189
D356,183 S * 3/1995 Conti D27/189
D454,410 S * 3/2002 Draghetti D27/189
D462,479 S * 9/2002 Draghetti D27/189

D462,807 S * 9/2002 Draghetti D27/189
D463,066 S * 9/2002 Draghetti D27/189
D472,013 S * 3/2003 Conti et al. D27/189
D510,777 S * 10/2005 Engel D27/189
D583,096 S * 12/2008 Conti et al. D27/189
D693,670 S * 11/2013 van Landsveld et al. D9/423
8,794,245 B1 * 8/2014 Scatterday 131/329
D720,884 S * 1/2015 Liu D27/189
D723,734 S * 3/2015 Liu D27/189
D723,736 S * 3/2015 Liu D27/189
D723,738 S * 3/2015 Liu D27/189

* cited by examiner

Primary Examiner — Susan Bennett Hattan

Assistant Examiner — Janice Hallmark

(74) *Attorney, Agent, or Firm* — Locke Lord LLP; Tim
Tingkang Xia, Esq.

(57) **CLAIM**

The ornamental design for an electronic cigarette case, as
shown and described.

DESCRIPTION

FIG. 1 is a front elevational view of an electronic cigarette
case;

FIG. 2 is a rear elevational view of the electronic cigarette
case;

FIG. 3 is a top plan view of the electronic cigarette case;

FIG. 4 is a bottom plan view of the electronic cigarette case;

FIG. 5 is a left side elevational view of the electronic cigarette
case;

FIG. 6 is a right side elevational view of the electronic ciga-
rette case;

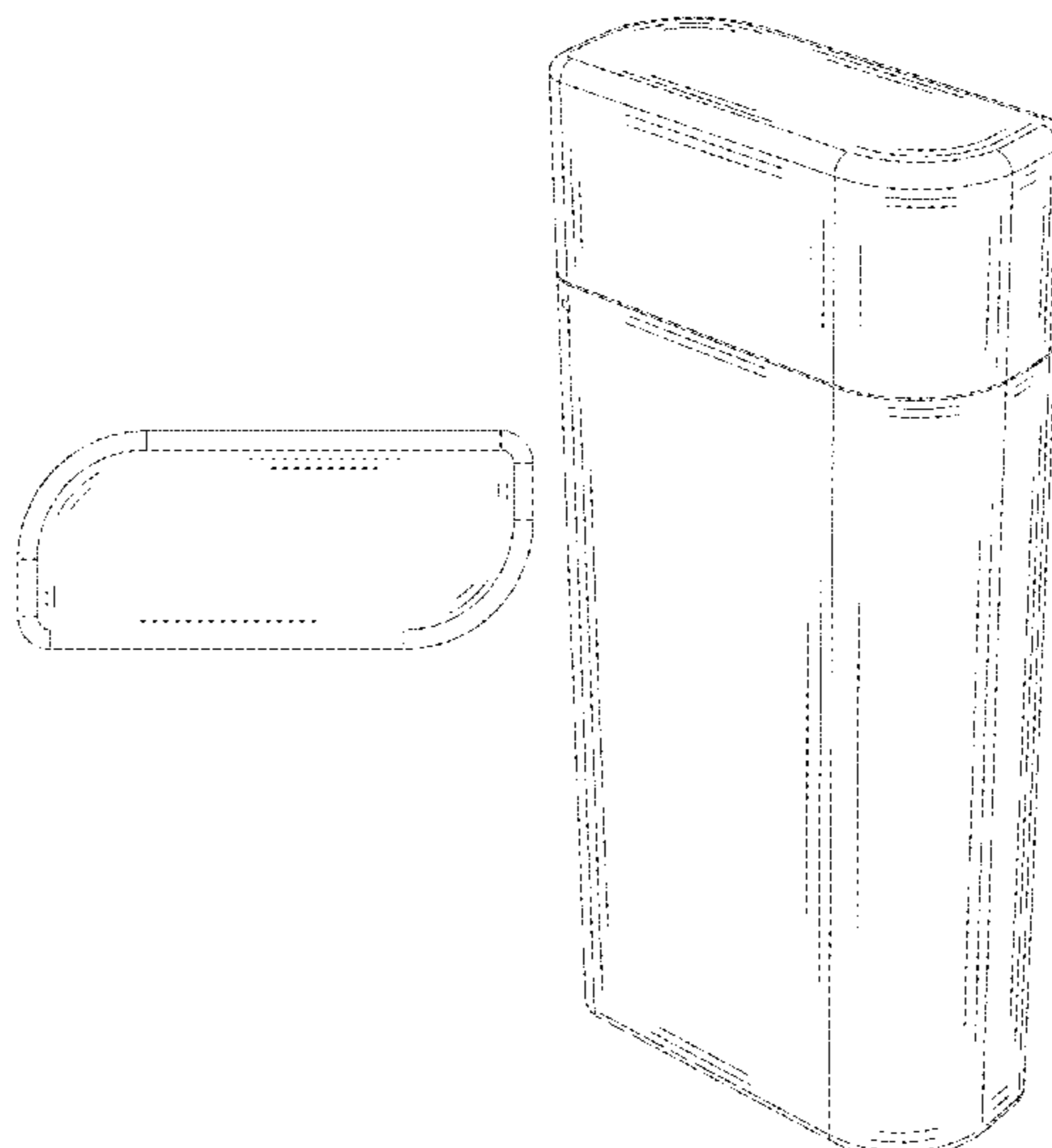
FIG. 7 is a first perspective view of the electronic cigarette
case;

FIG. 8 is a second perspective view of the electronic cigarette
case; and,

FIG. 9 is a third perspective view of the electronic cigarette
case shown in an open position.

The broken lines in the drawings depict environment that
forms no part of the claimed design.

1 Claim, 8 Drawing Sheets



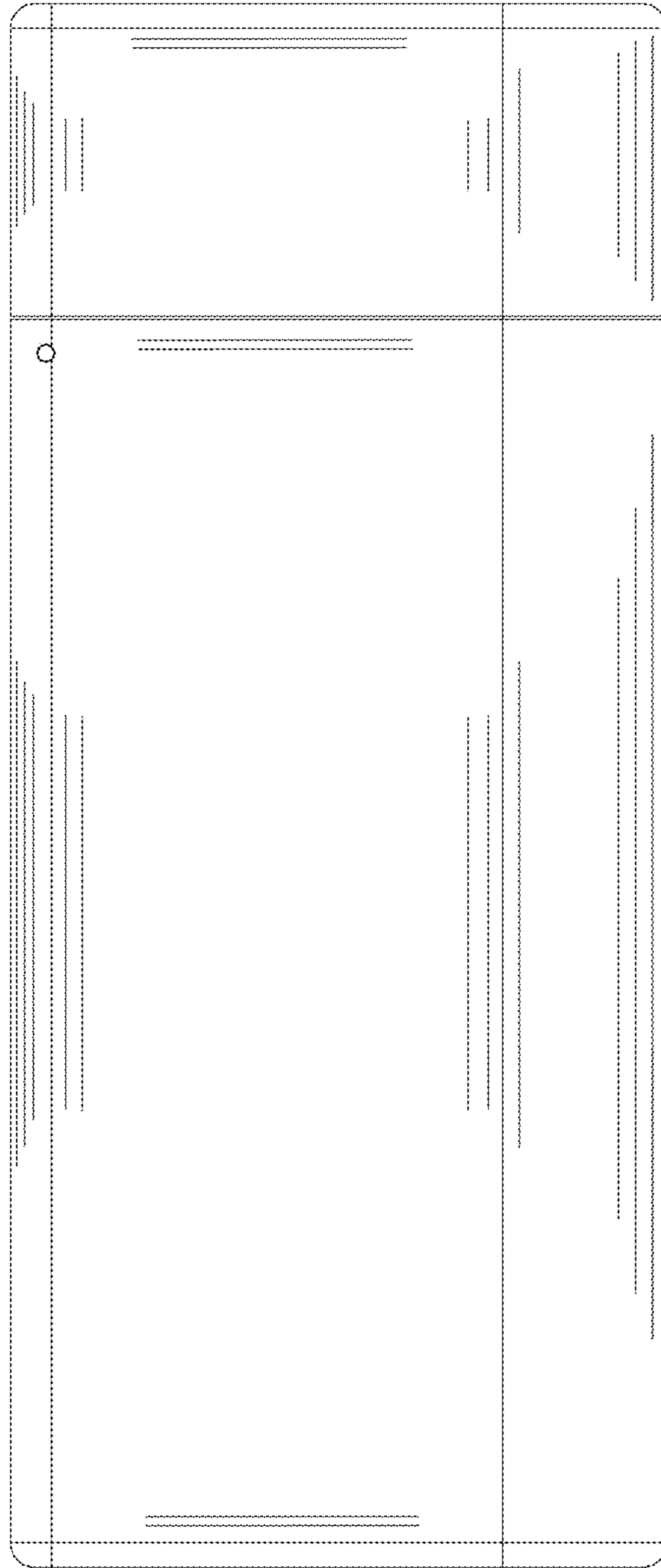


Fig. 1

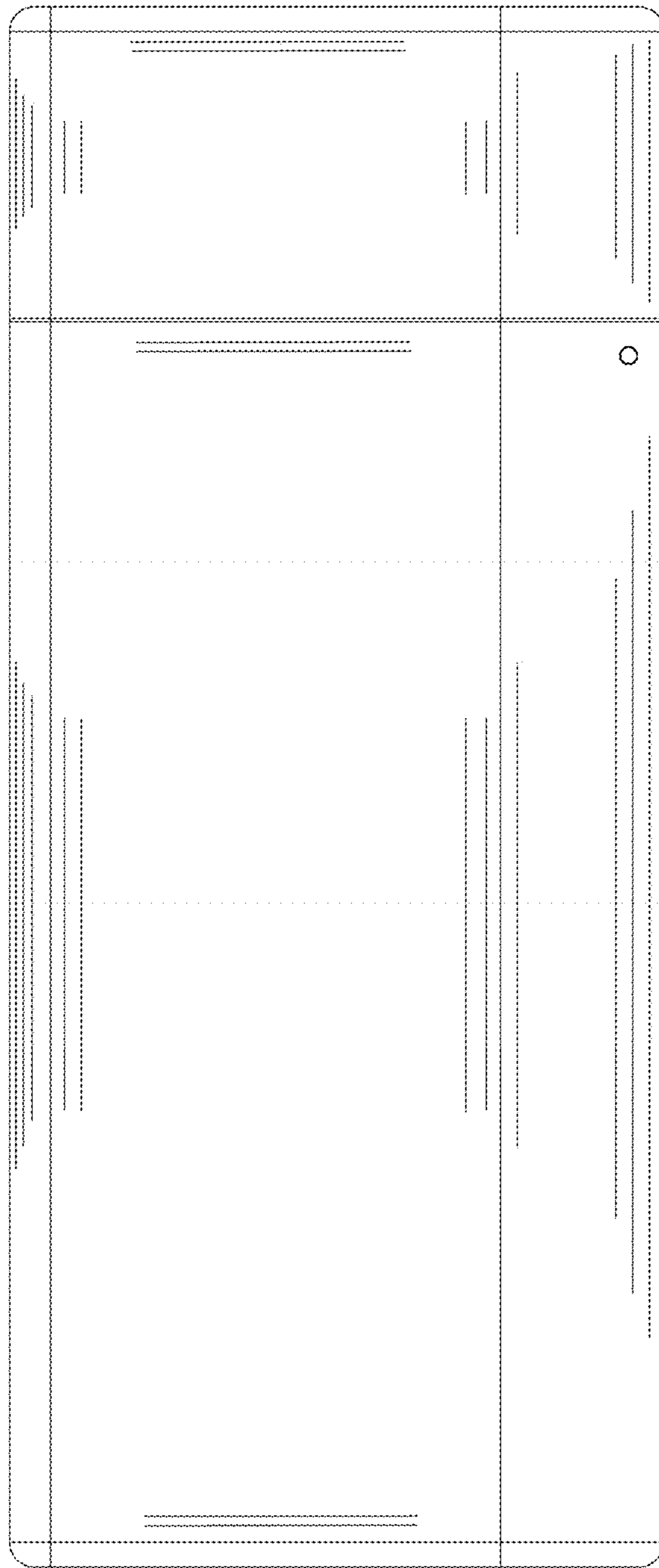


Fig. 2

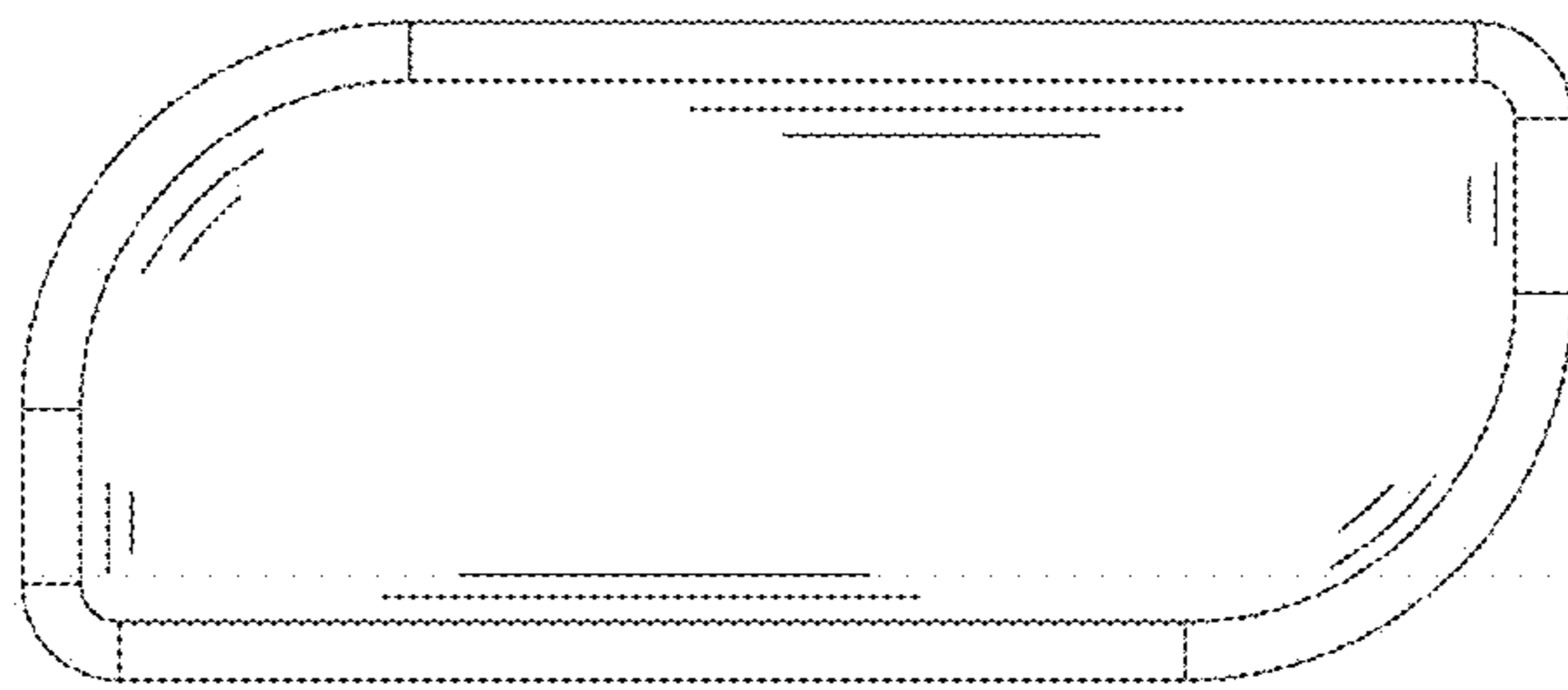


Fig. 3

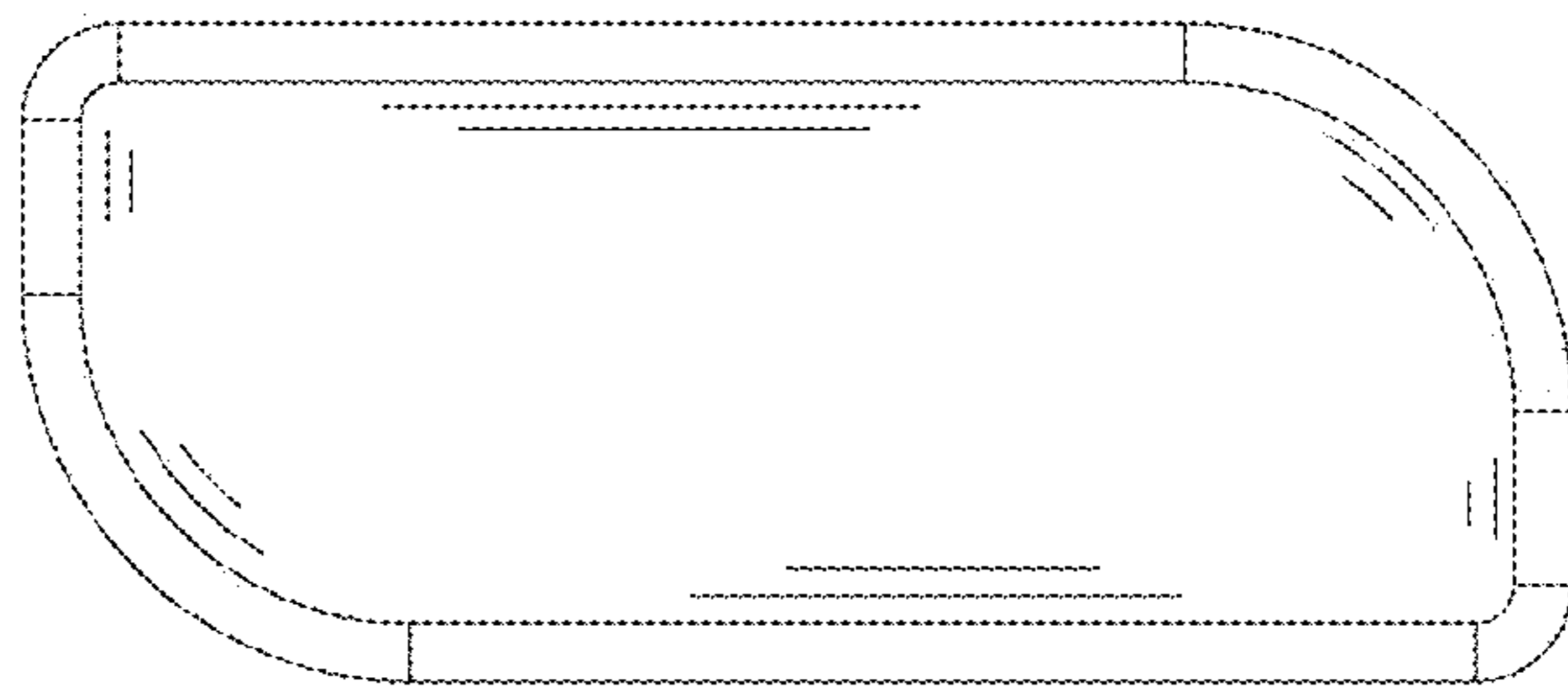


Fig. 4

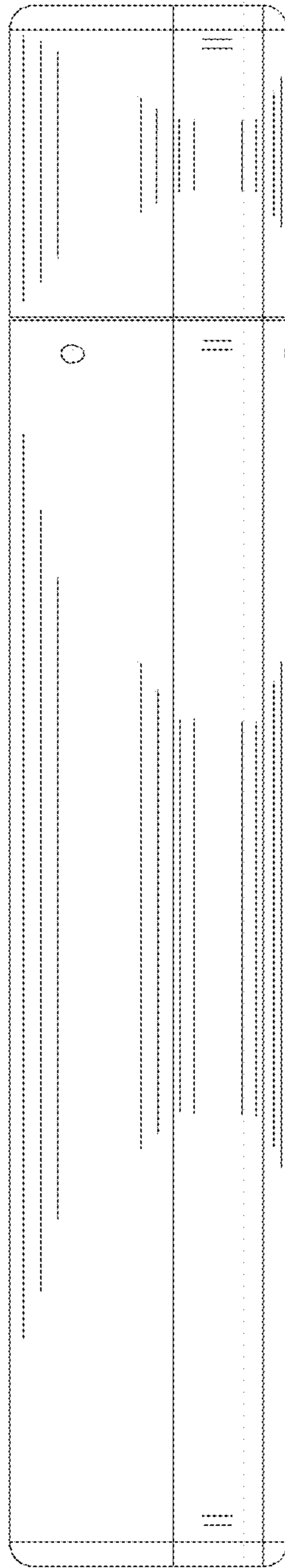


Fig. 5

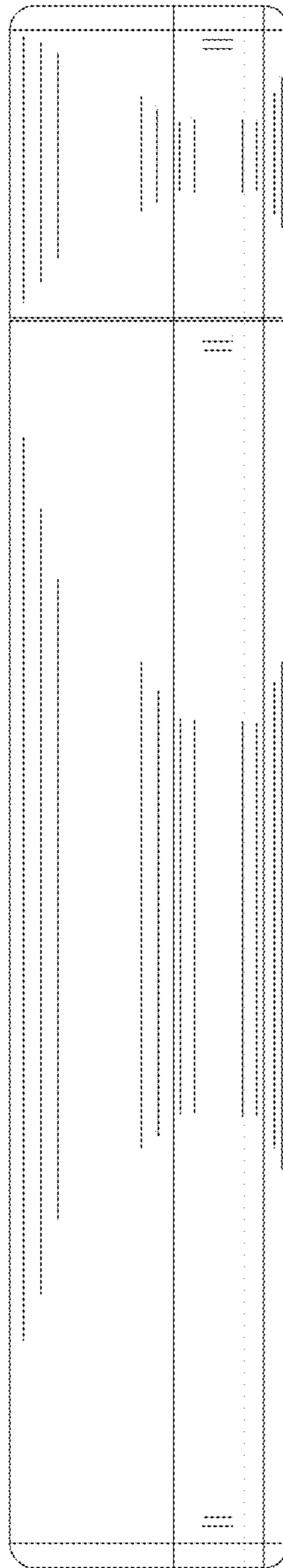


Fig. 6

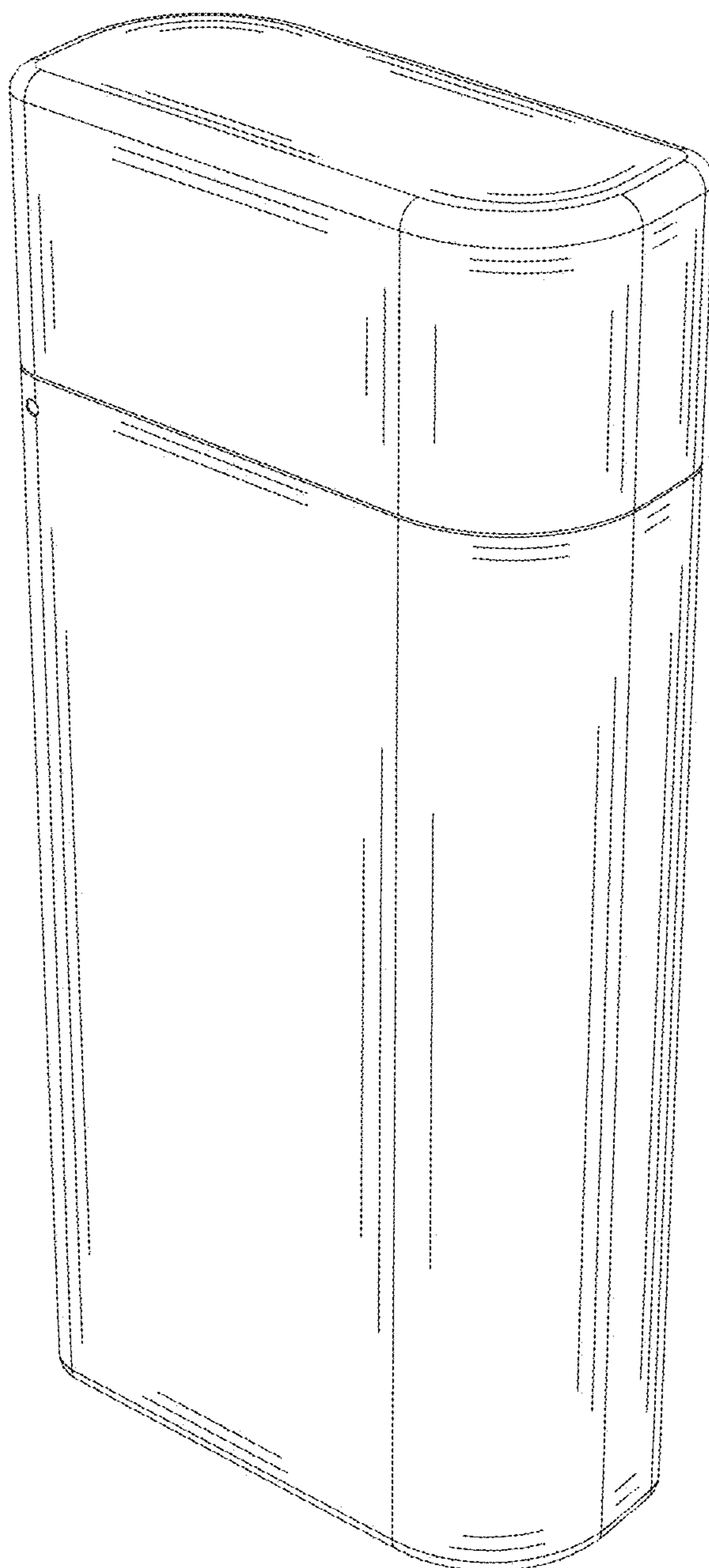


Fig. 7

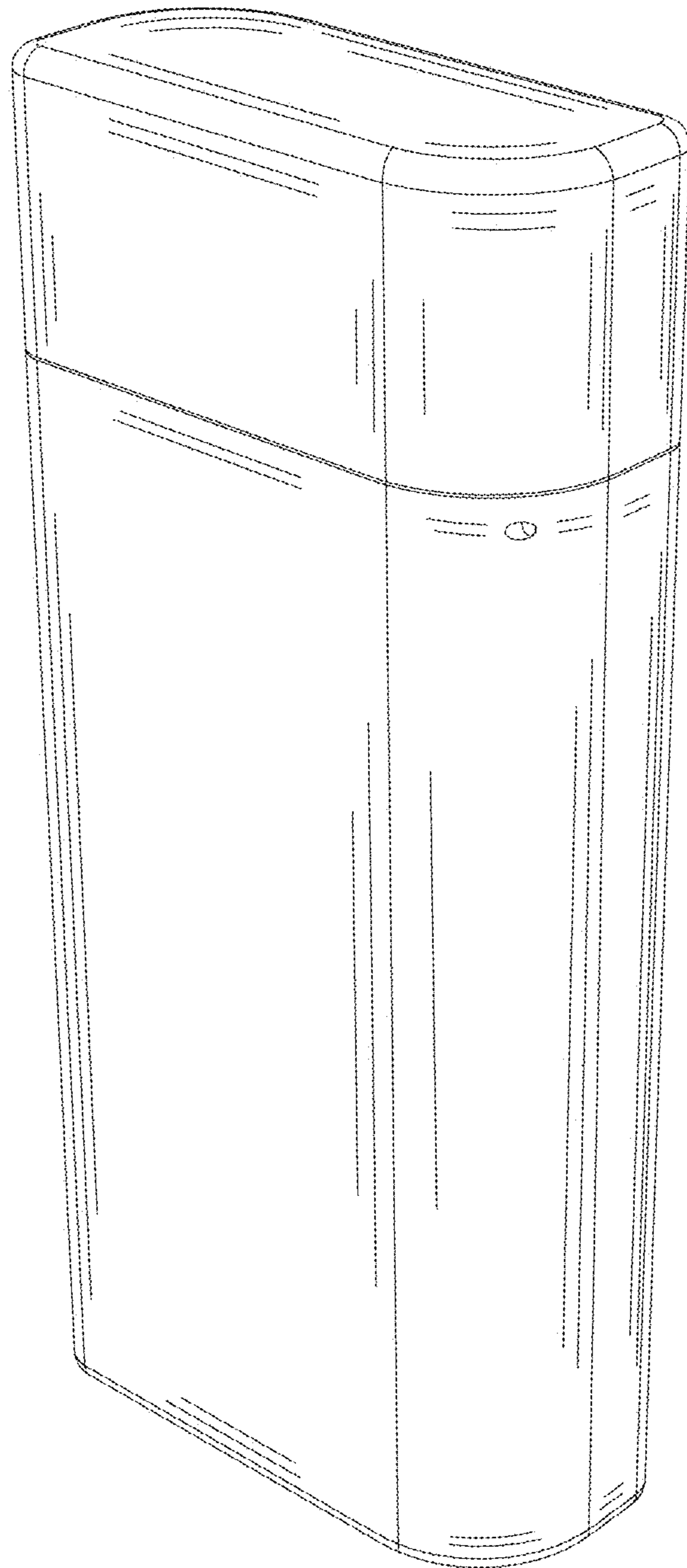


Fig. 8

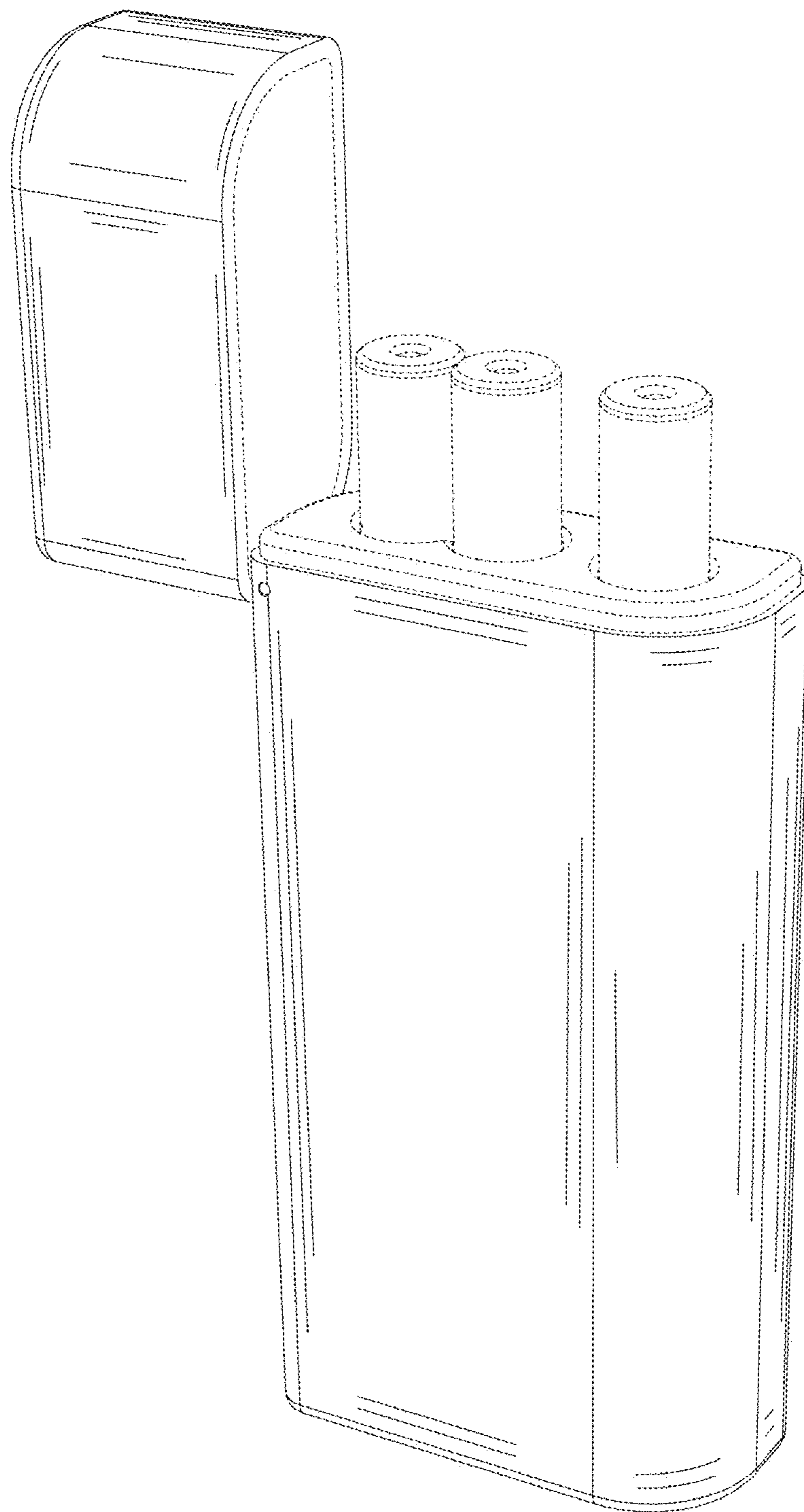


Fig. 9