

US00D736457S

(12) **United States Design Patent**
Liu

(10) **Patent No.:** **US D736,457 S**

(45) **Date of Patent:** **** Aug. 11, 2015**

(54) **ELECTRONIC CIGARETTE CASE**

(71) Applicant: **Qiuming Liu**, Guangdong (CN)

(72) Inventor: **Qiuming Liu**, Guangdong (CN)

(73) Assignee: **KIMREE HI-TECH INC.**, Road Town, Tortola (VG)

(**) Term: **14 Years**

(21) Appl. No.: **29/471,298**

(22) Filed: **Oct. 30, 2013**

(30) **Foreign Application Priority Data**

Oct. 16, 2013 (CN) 2013 3 0488238

(51) **LOC (10) Cl.** **27-06**

(52) **U.S. Cl.**
USPC **D27/189**

(58) **Field of Classification Search**

USPC D27/129, 141, 144, 152, 153, 157, 160,
D27/172, 174, 175, 183, 186, 187, 189-191,
D27/193, 194; D9/420, 423, 504, 529, 545,
D9/686, 688; D13/108; 206/242, 249, 250,
206/256, 259, 261, 264, 265, 267, 268;
D3/273, 294; 131/270-273, 329-330,
131/347

CPC A24F 13/14; A24F 9/16; A24F 15/00;
A24F 15/12; A24F 15/14; A24F 15/18;
A24F 15/005; A24F 15/20; A24F 23/00;
A24F 23/04

See application file for complete search history.

(56) **References Cited**

U.S. PATENT DOCUMENTS

D53,386 S * 5/1919 Thomas D27/189
D279,508 S * 7/1985 Bauer et al. D6/515
D322,687 S * 12/1991 Tschudin D27/189
D346,878 S * 5/1994 Gee et al. D27/194
D392,069 S * 3/1998 Rowland D27/183

D436,725 S * 1/2001 Rogers D3/265
D449,521 S * 10/2001 Pinkus et al. D9/424
6,530,495 B1 * 3/2003 Joseph 220/553
D566,329 S * 4/2008 Bagaric et al. D27/189
D595,453 S * 6/2009 Parsons et al. D27/189
D665,734 S * 8/2012 Fitch et al. D13/107
D690,461 S * 9/2013 Chen D27/187
D700,397 S * 2/2014 Manca et al. D27/189
D720,884 S * 1/2015 Liu D27/189
D723,734 S * 3/2015 Liu D27/189
D723,735 S * 3/2015 Liu D27/189

(Continued)

Primary Examiner — Susan Bennett Hattan

Assistant Examiner — Janice Hallmark

(74) *Attorney, Agent, or Firm* — Locke Lord LLP; Tim Tingkang Xia, Esq.

(57) **CLAIM**

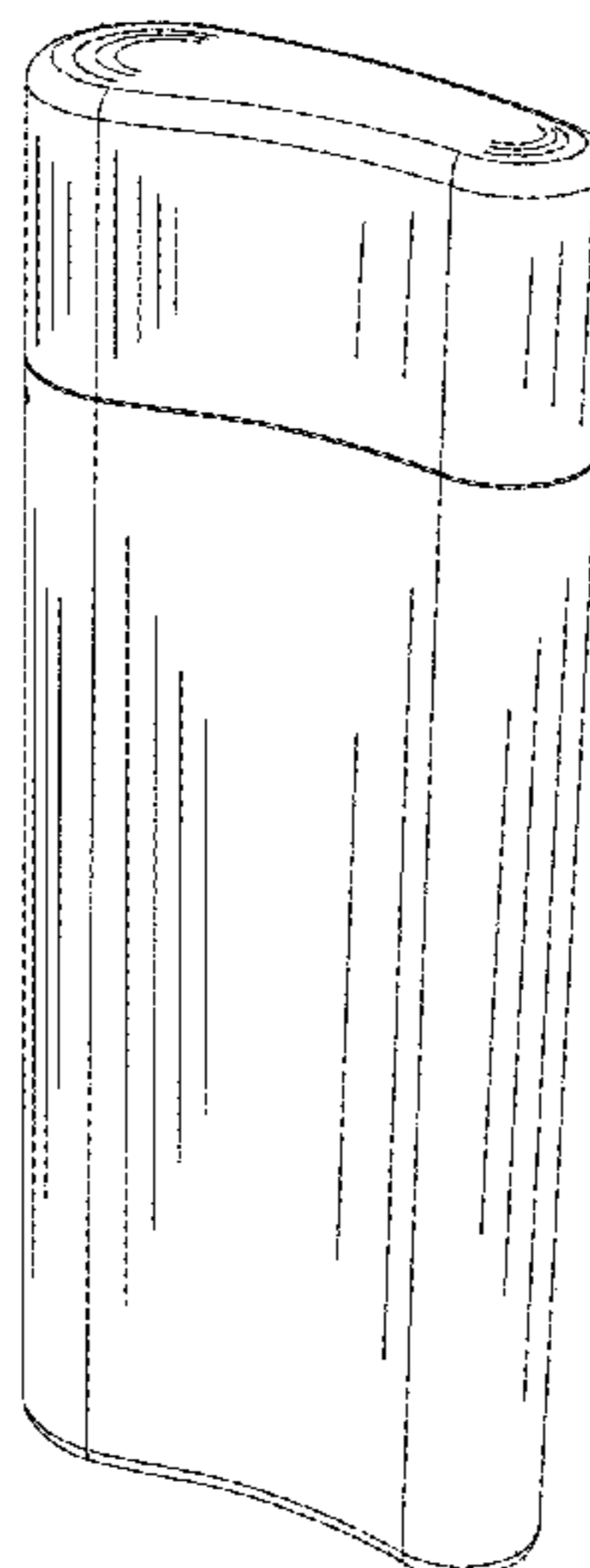
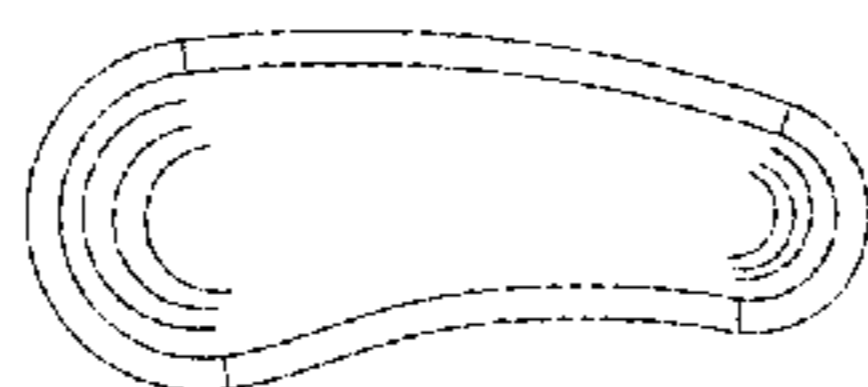
The ornamental design for a electronic cigarette case, as shown and described.

DESCRIPTION

FIG. 1 is a front elevational view of an electronic cigarette case;
FIG. 2 is a rear elevational view of the electronic cigarette case;
FIG. 3 is a left side elevational view of the electronic cigarette case;
FIG. 4 is a right side elevational view of the electronic cigarette case;
FIG. 5 is a bottom plan view of the electronic cigarette case;
FIG. 6 is a top plan view of the electronic cigarette case;
FIG. 7 is a first perspective view of the electronic cigarette case;
FIG. 8 is a second perspective view of the electronic cigarette case; and,
FIG. 9 is a perspective view of the electronic cigarette case in an open position.

The broken lines in the drawings depict environment that forms no part of the claimed design.

1 Claim, 8 Drawing Sheets



US D736,457 S

Page 2

(56)

References Cited

U.S. PATENT DOCUMENTS

D723,737 S * 3/2015 Liu D27/189
D723,738 S * 3/2015 Liu D27/189
2008/0099353 A1* 5/2008 Parsons et al. 206/266

D723,736 S * 3/2015 Liu D27/189 * cited by examiner

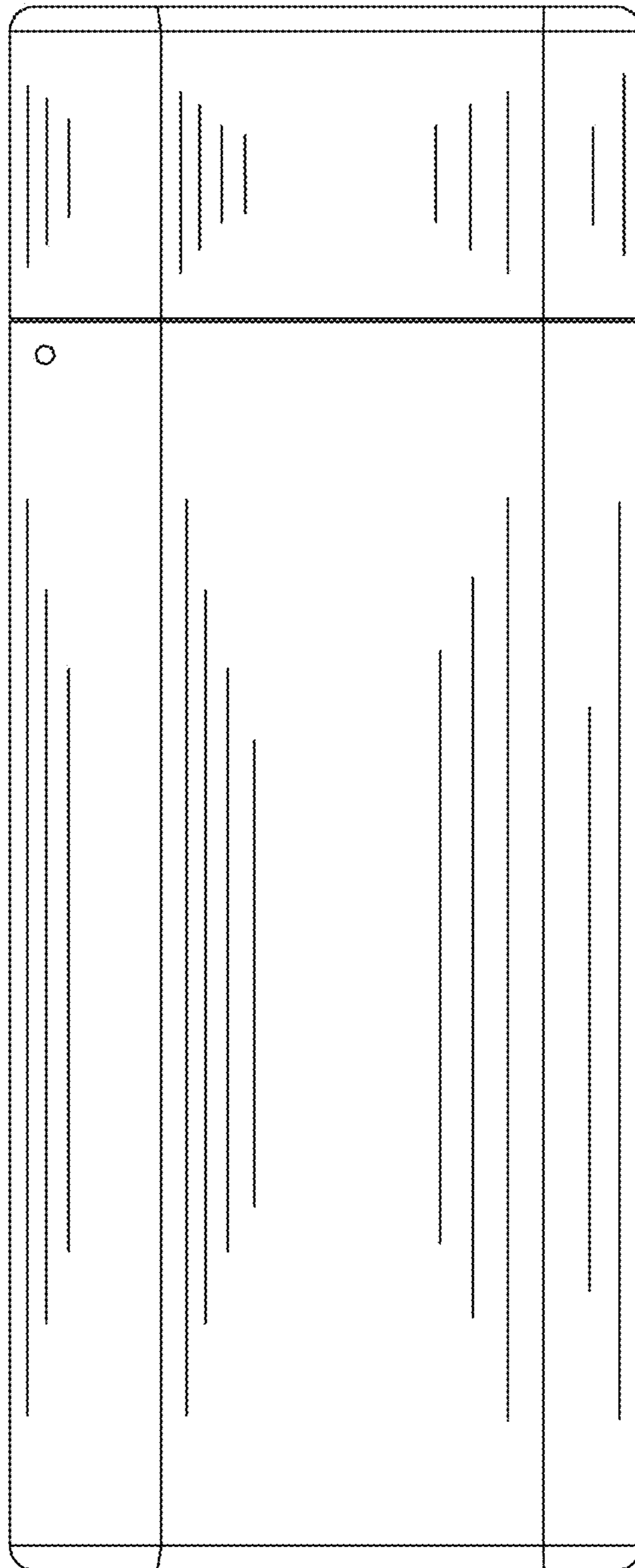


Fig. 1

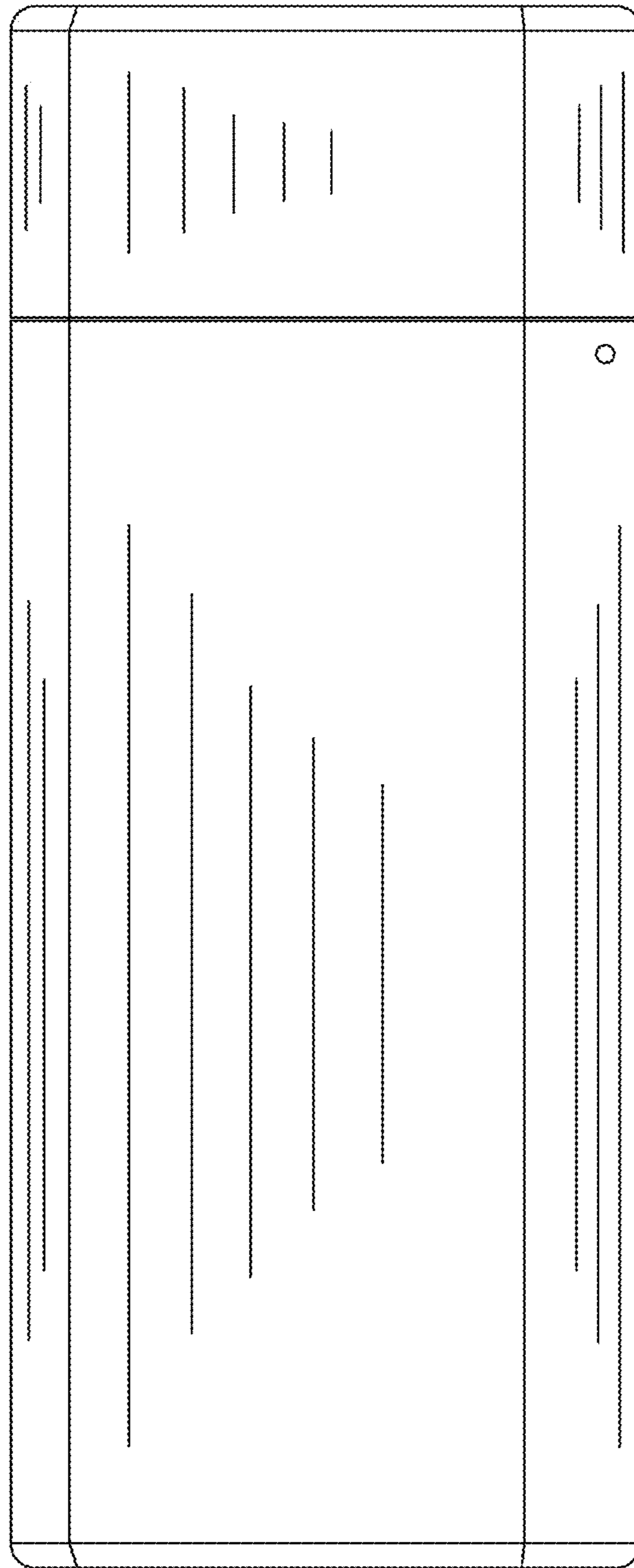


Fig. 2

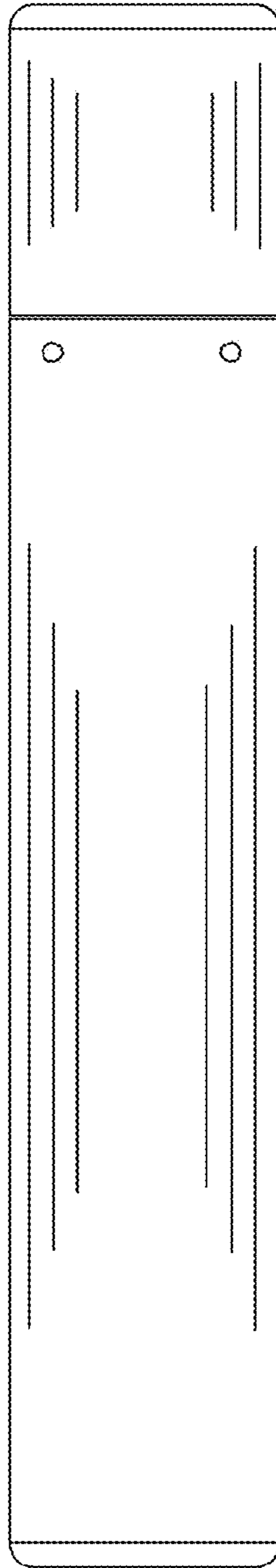


Fig. 3

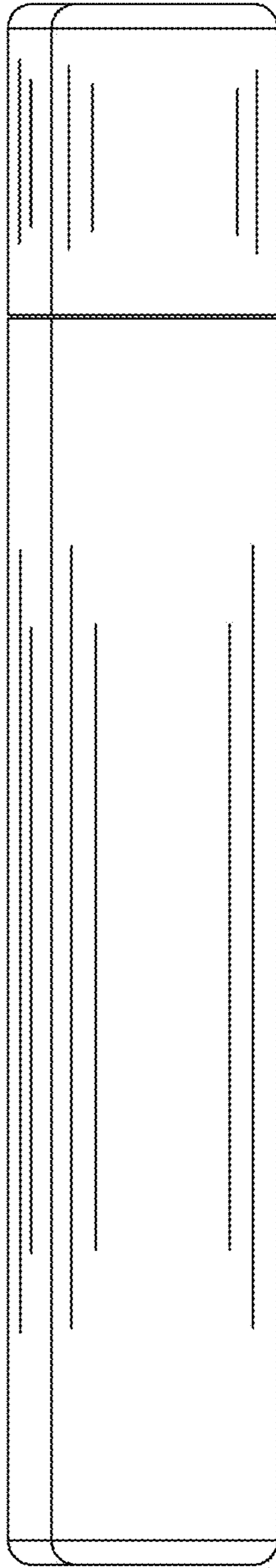


Fig. 4

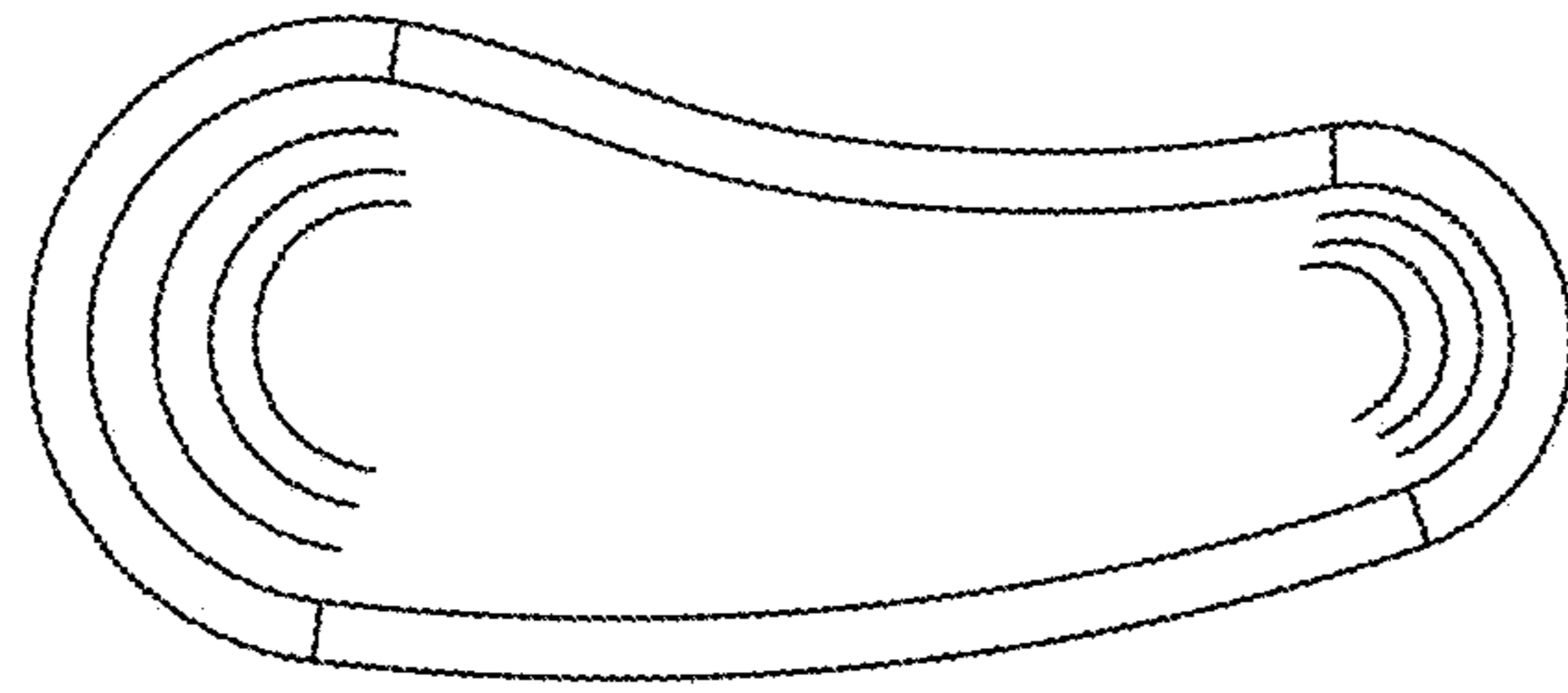


Fig. 5

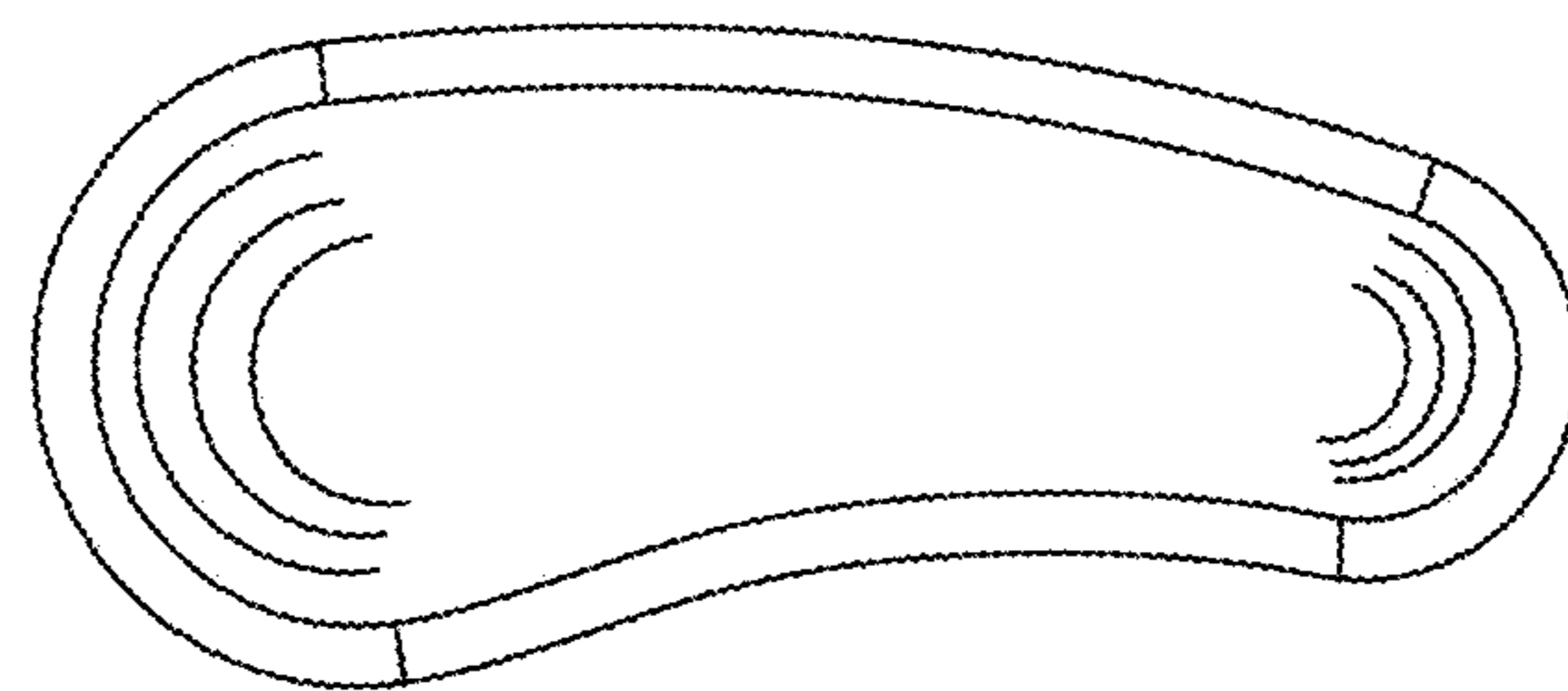


Fig. 6

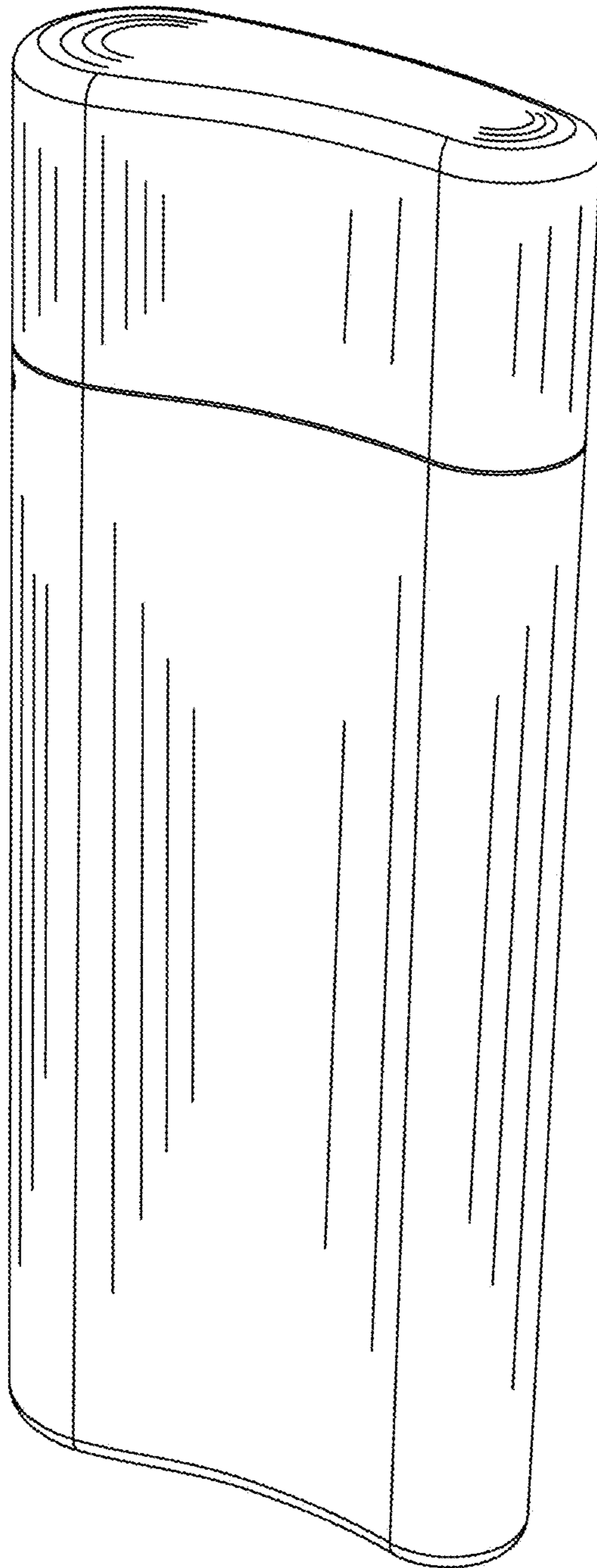


Fig. 7

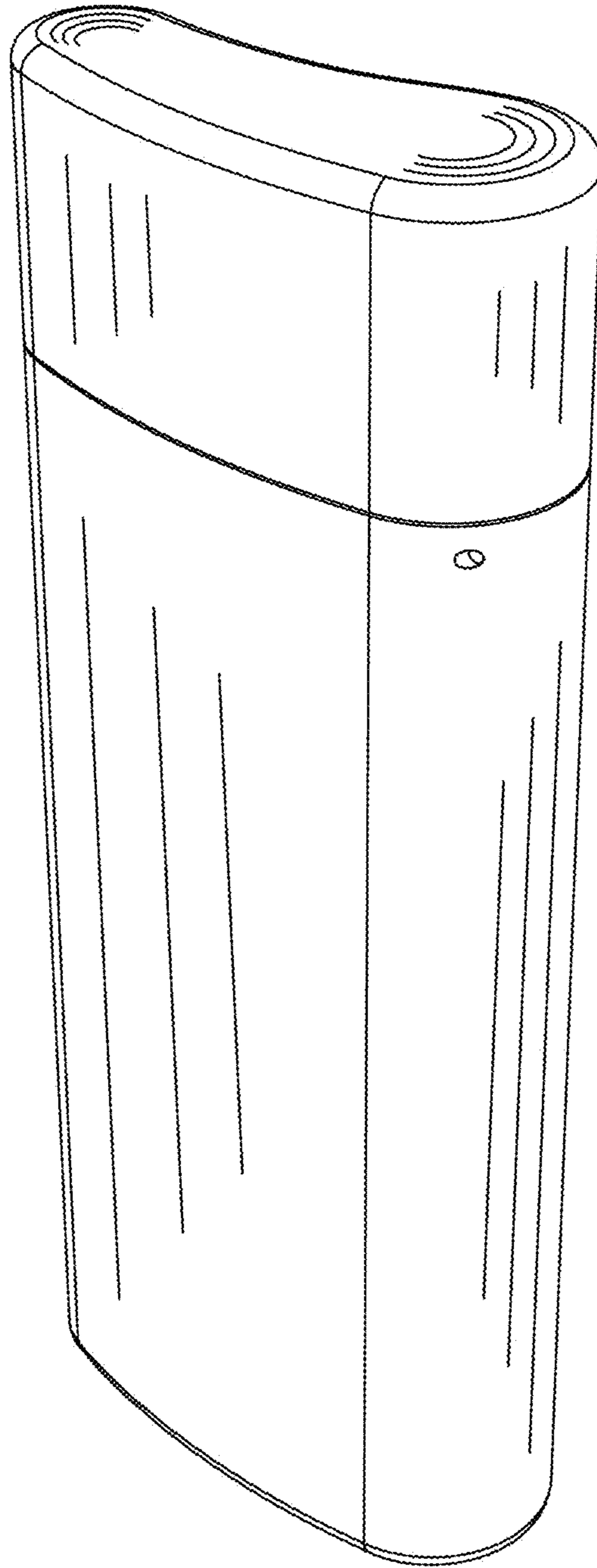


Fig. 8

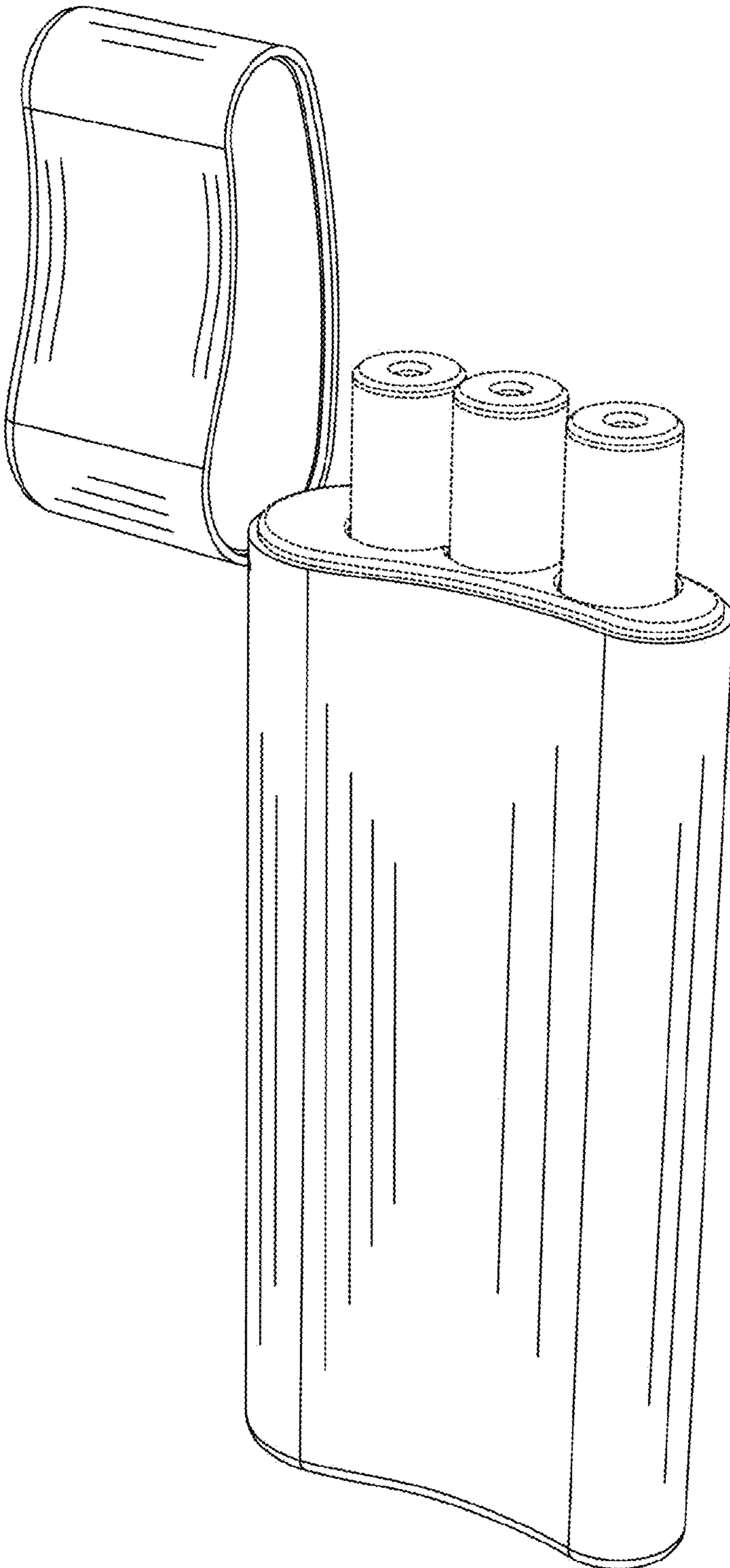


Fig. 9