



US00D736456S

(12) **United States Design Patent**
Liu

(10) **Patent No.:** **US D736,456 S**

(45) **Date of Patent:** **** Aug. 11, 2015**

(54) **ELECTRONIC CIGARETTE CASE**

(71) Applicant: **Qiuming Liu**, Shenzhen (CN)

(72) Inventor: **Qiuming Liu**, Shenzhen (CN)

(73) Assignee: **KIMREE HI-TECH INC.**, Tortola (VG)

(**) Term: **14 Years**

(21) Appl. No.: **29/470,790**

(22) Filed: **Oct. 24, 2013**

(30) **Foreign Application Priority Data**

Jul. 1, 2013 (CN) 2013 3 0298465

(51) **LOC (10) Cl.** **27-06**

(52) **U.S. Cl.**
USPC **D27/189**

(58) **Field of Classification Search**
USPC D27/129, 141, 144, 152, 153, 157, 160, D27/172, 174, 175, 183, 186, 187, 189-191, D27/193, 194; D9/420, 423, 504, 529, 545, D9/686, 688; D13/108; 206/242, 249, 250, 206/256, 259, 261, 264, 265, 267, 268; D3/273, 294; 131/270-273, 329-330, 131/347
CPC A24F 13/14; A24F 9/16; A24F 15/00; A24F 15/12; A24F 15/14; A24F 15/18; A24F 15/005; A24F 15/20; A24F 23/00; A24F 23/04
See application file for complete search history.

(56) **References Cited**

U.S. PATENT DOCUMENTS

D613,903 S * 4/2010 Wu D27/189
D671,677 S * 11/2012 Wu D27/189
D671,678 S * 11/2012 Wu D27/189
D675,918 S * 2/2013 Holford D9/423

D677,000 S * 2/2013 Liu D27/189
D677,001 S * 2/2013 Liu D27/189
D681,268 S * 4/2013 Wu D27/189
D688,418 S * 8/2013 Liu D27/189
D706,976 S * 6/2014 Wu D27/189
8,794,245 B1 * 8/2014 Scatterday 131/329
D723,733 S * 3/2015 Liu D27/189
D723,734 S * 3/2015 Liu D27/189
D723,735 S * 3/2015 Liu D27/189
D723,737 S * 3/2015 Liu D27/189
2013/0336358 A1 * 12/2013 Liu 374/152
2013/0342157 A1 * 12/2013 Liu 320/107
2014/0299491 A1 * 10/2014 Liu 206/236
2015/0008150 A1 * 1/2015 Liu 206/268

* cited by examiner

Primary Examiner — Susan Bennett Hattan

Assistant Examiner — Janice Hallmark

(74) *Attorney, Agent, or Firm* — Cheng-Ju Chiang

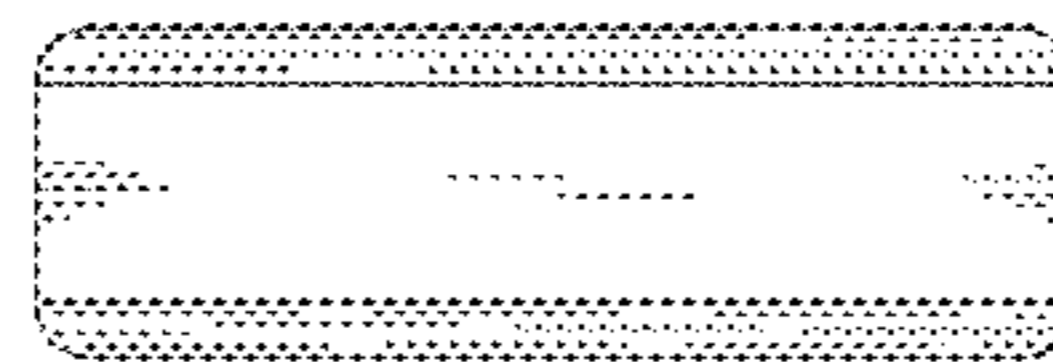
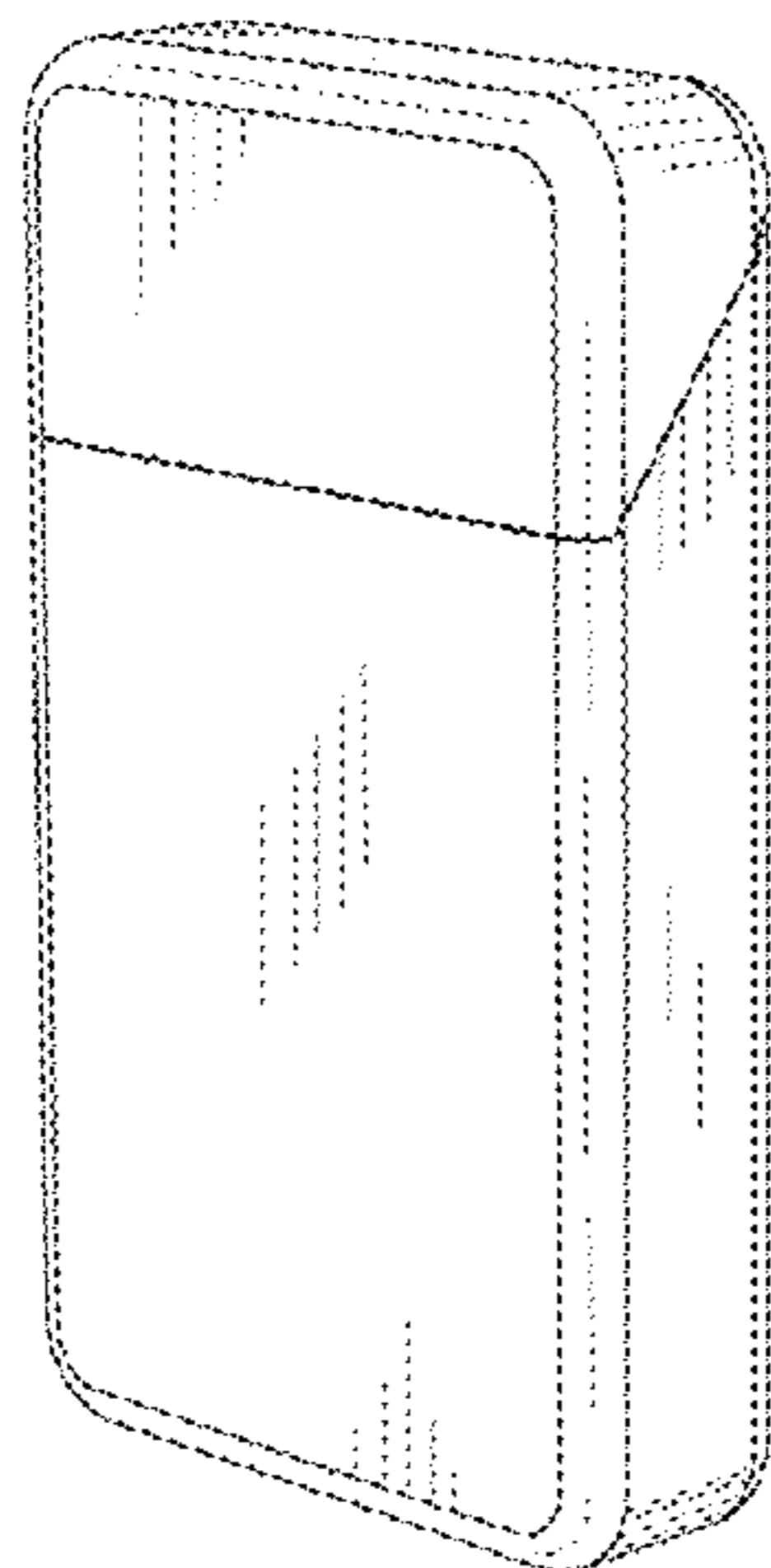
(57) **CLAIM**

The ornamental design for an “electronic cigarette case,” as shown and described.

DESCRIPTION

FIG. 1 is a front, top and right side perspective view of an electronic cigarette case showing my new design; FIG. 2 is a rear, top and right side perspective view of FIG. 1; FIG. 3 is a front elevational view of FIG. 1; FIG. 4 is a rear elevational view of FIG. 1; FIG. 5 is a left side elevational view of FIG. 1; FIG. 6 is a right side elevational view of FIG. 1; FIG. 7 is a top plan view of FIG. 1; FIG. 8 is a bottom plan view of FIG. 1; FIG. 9 is a front, top and right side perspective view of FIG. 1 with a top cover thereof open; and, FIG. 10 is a rear, top, and right side perspective view of FIG. 1 with the top cover open.
The broken lines in the drawings depict environmental subject matter and are for illustrative purposes only and form no part of the claimed design.

1 Claim, 10 Drawing Sheets



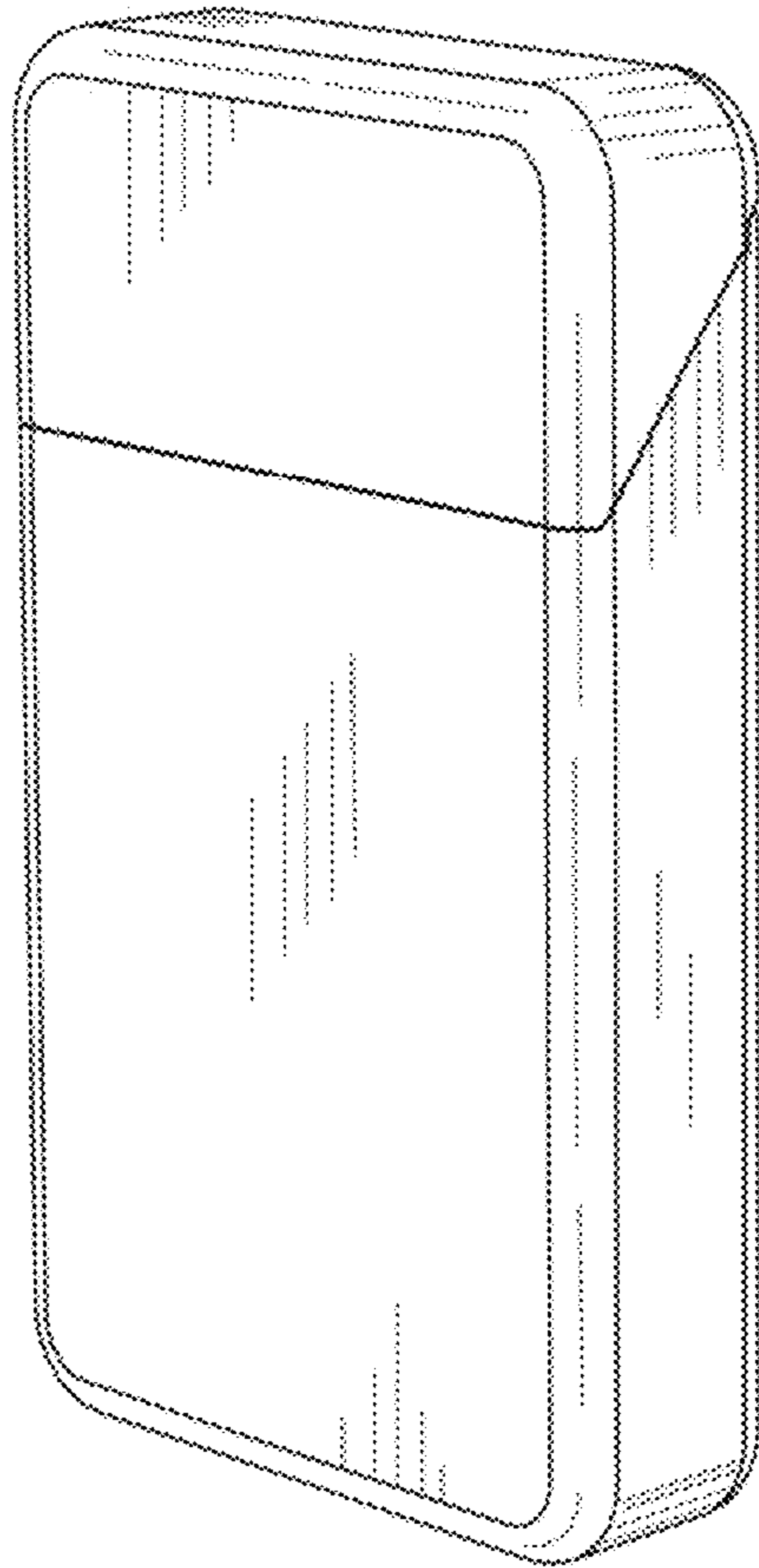


Fig. 1

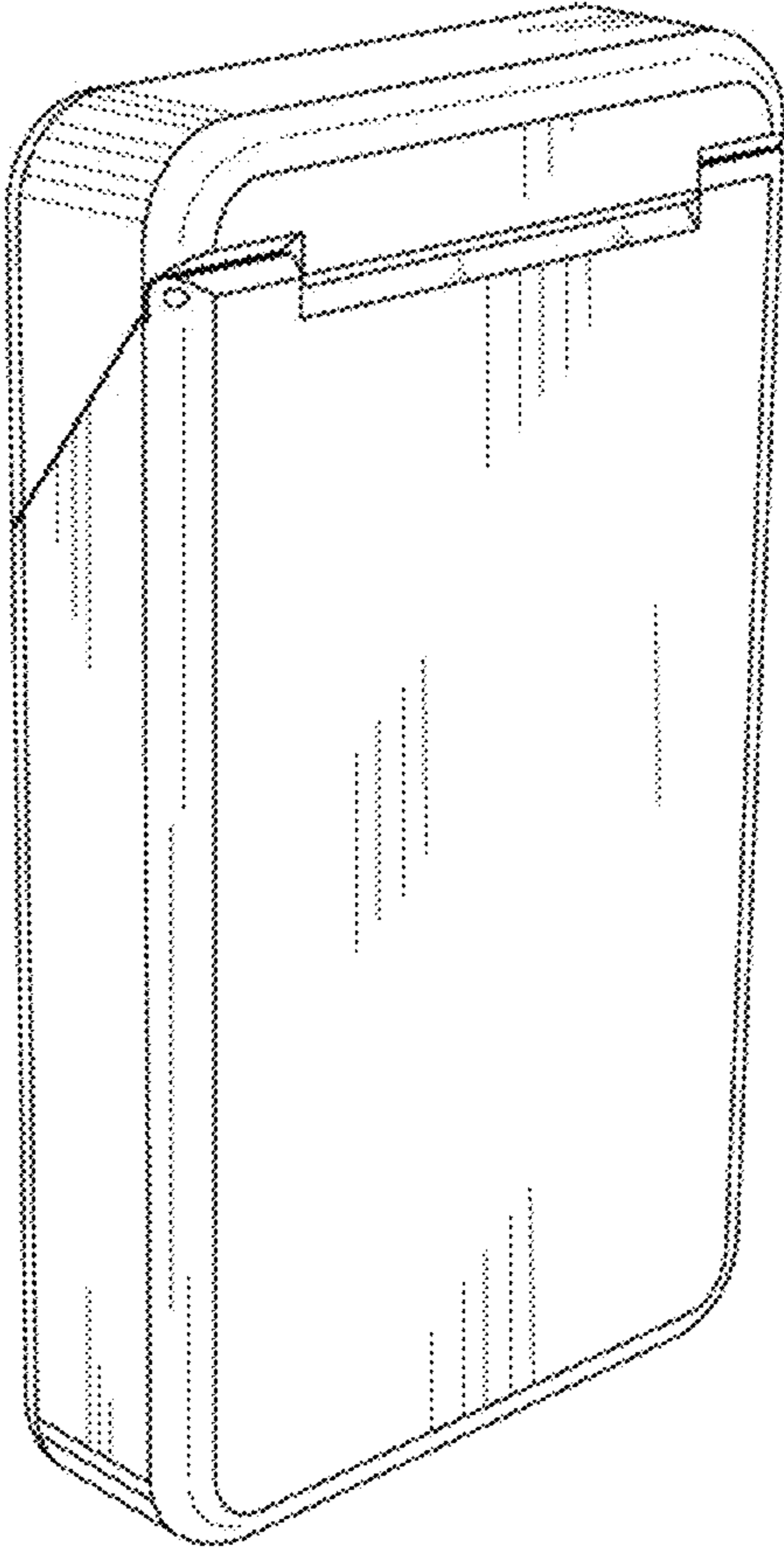


Fig. 2

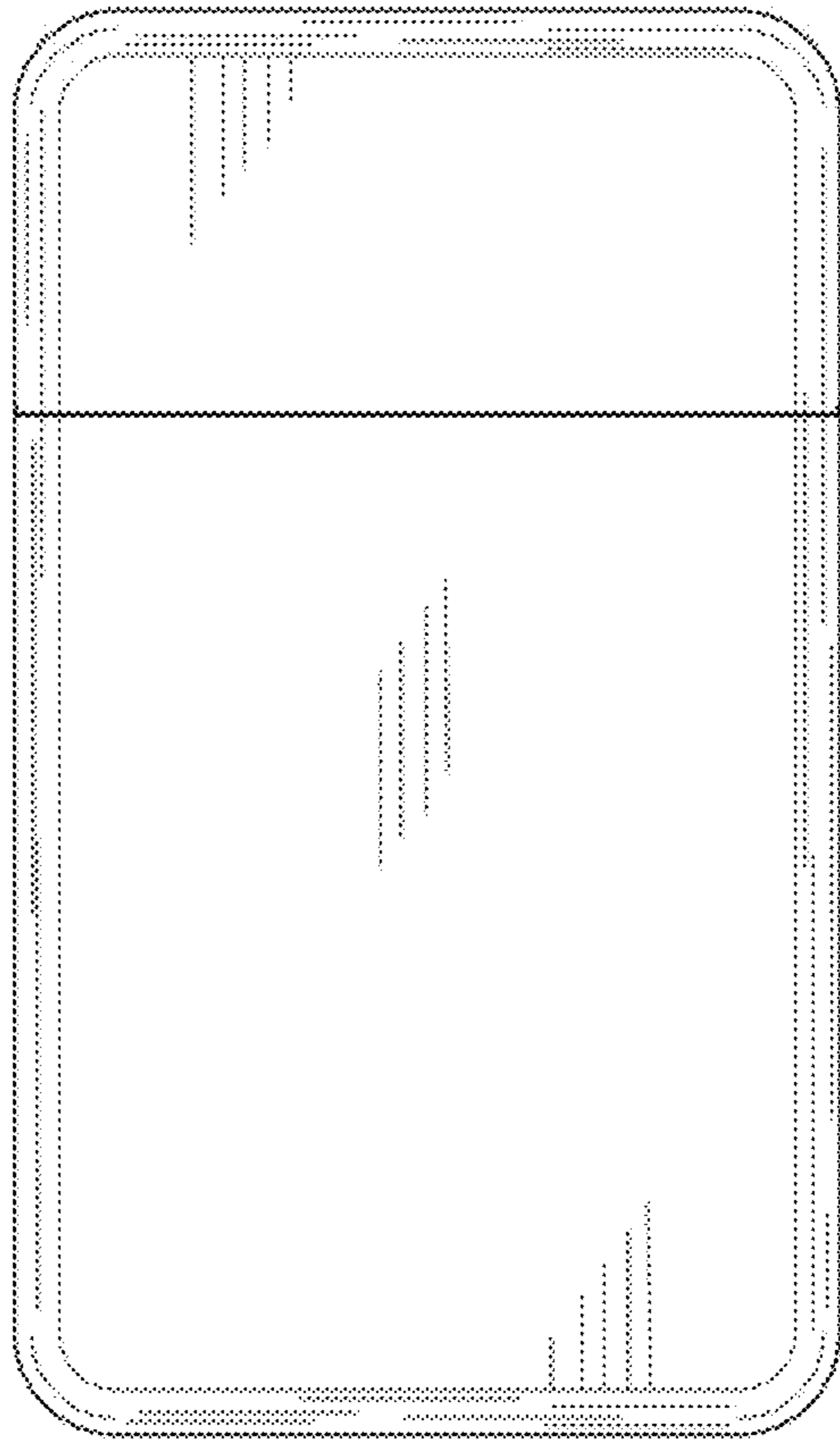


Fig. 3

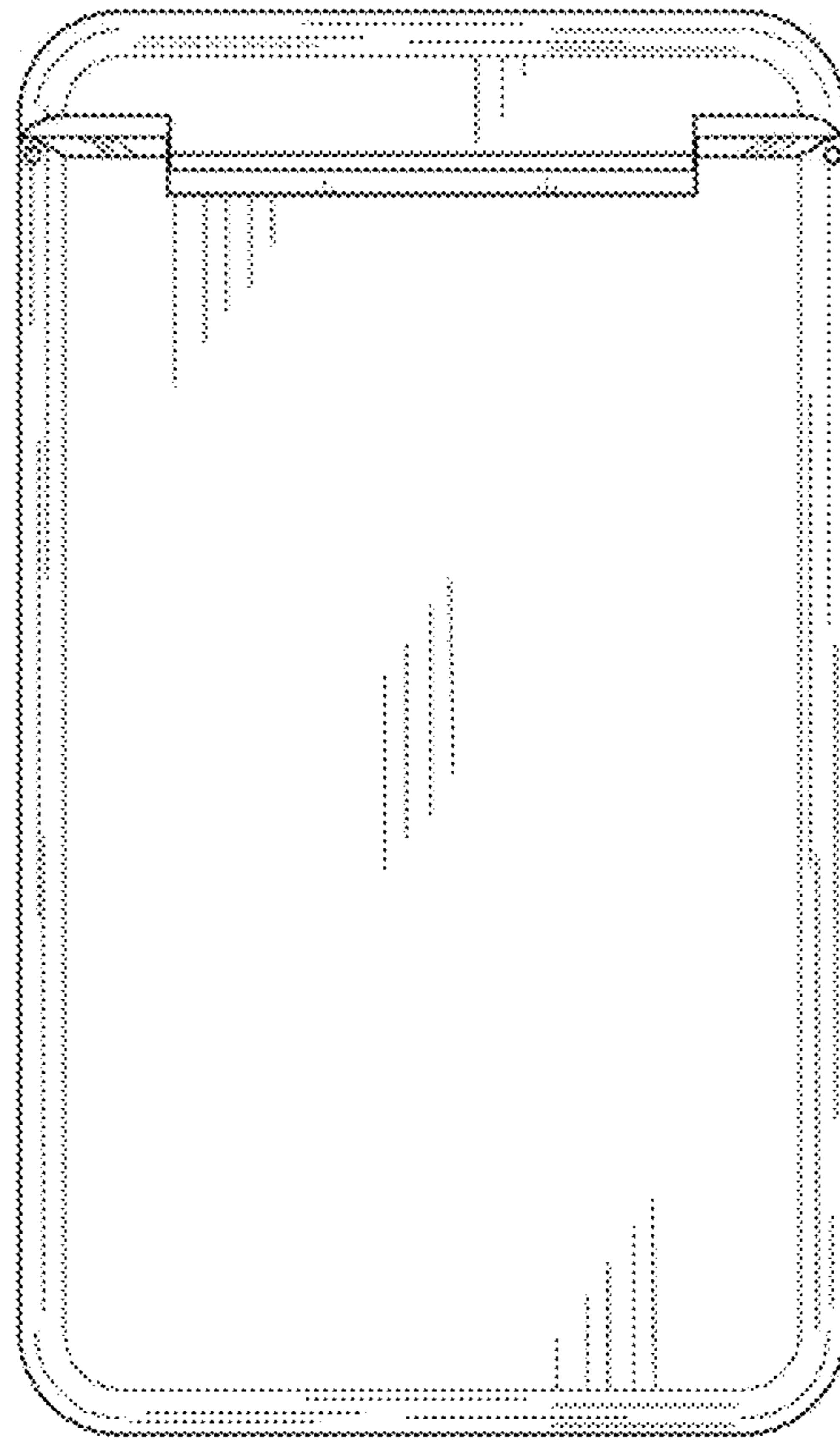


Fig. 4

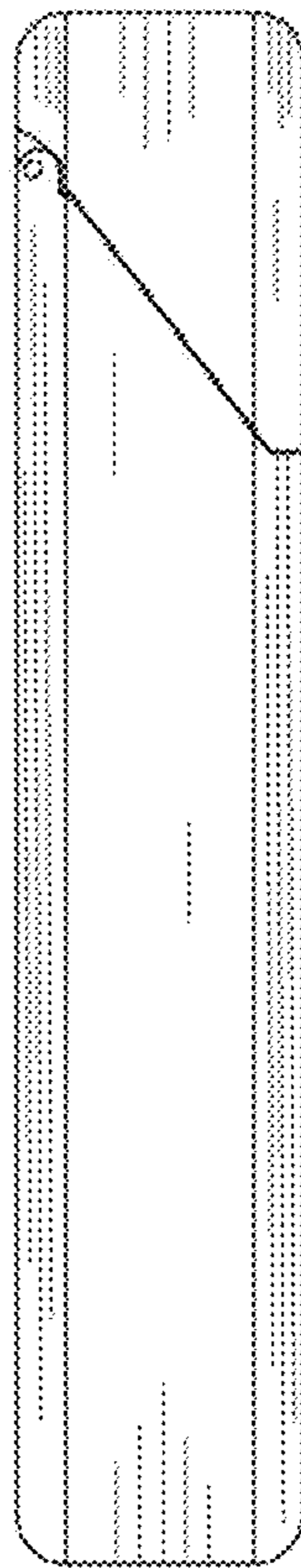


Fig. 5

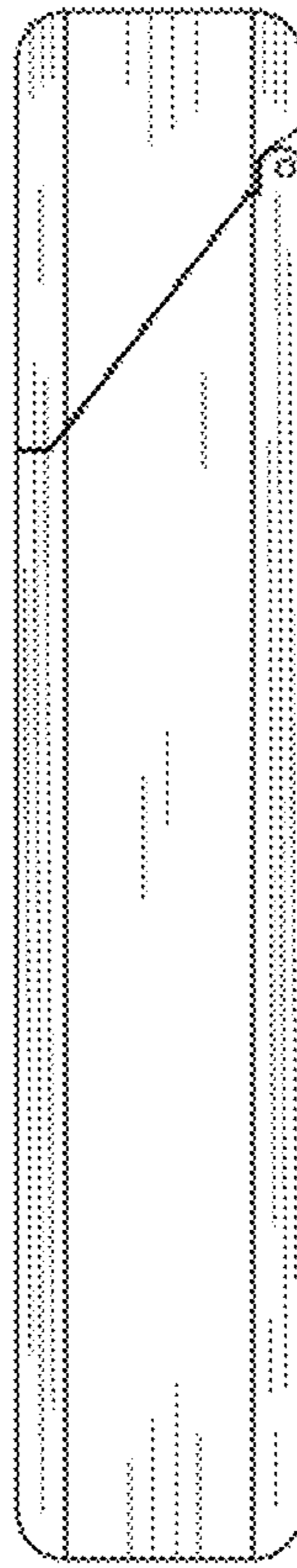


Fig. 6

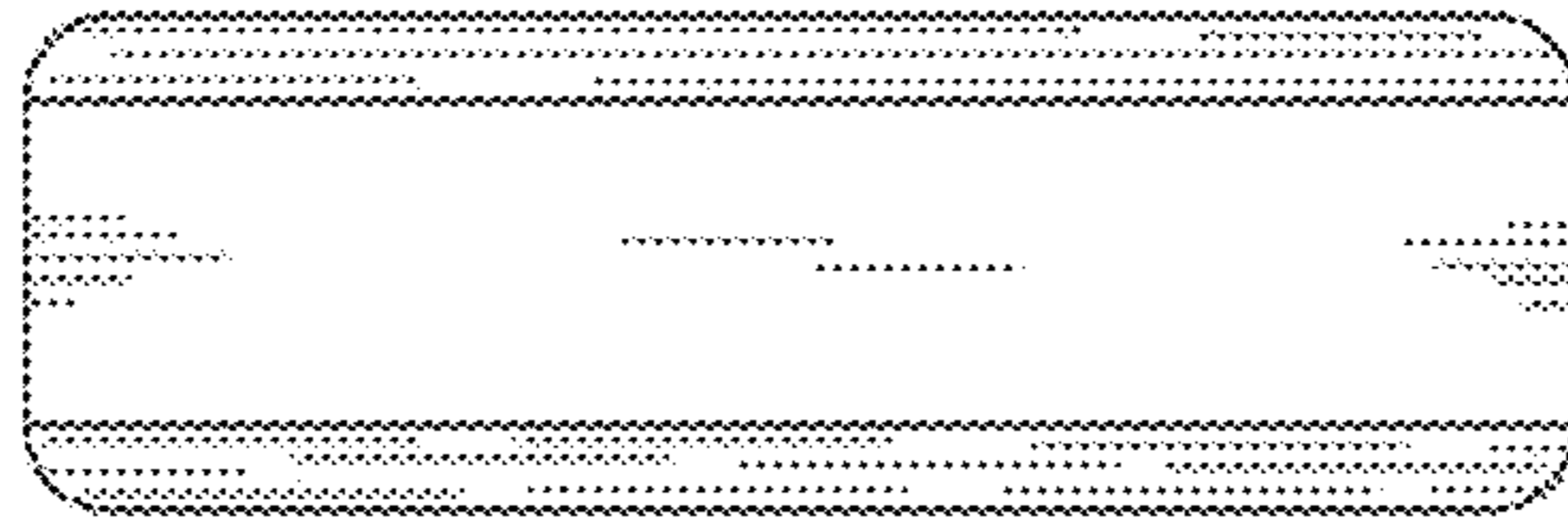


Fig. 7

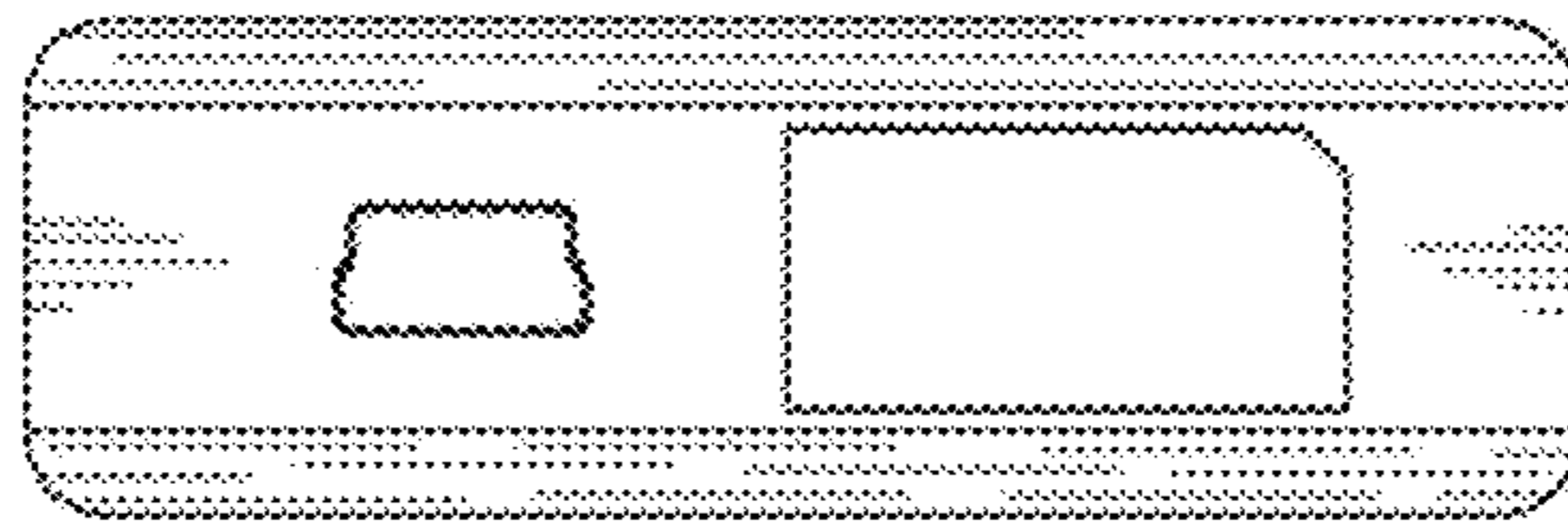


Fig . 8

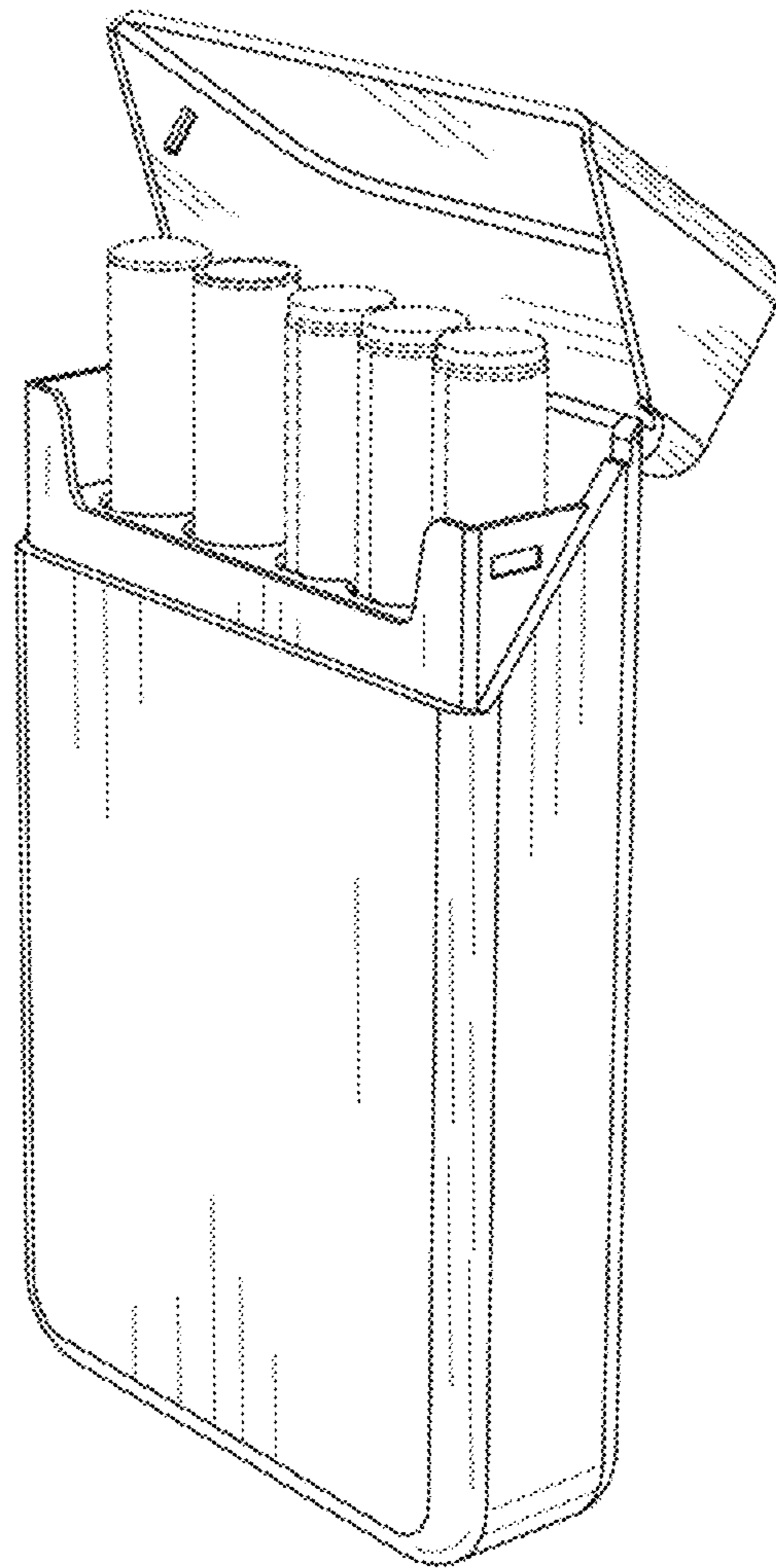


Fig . 9

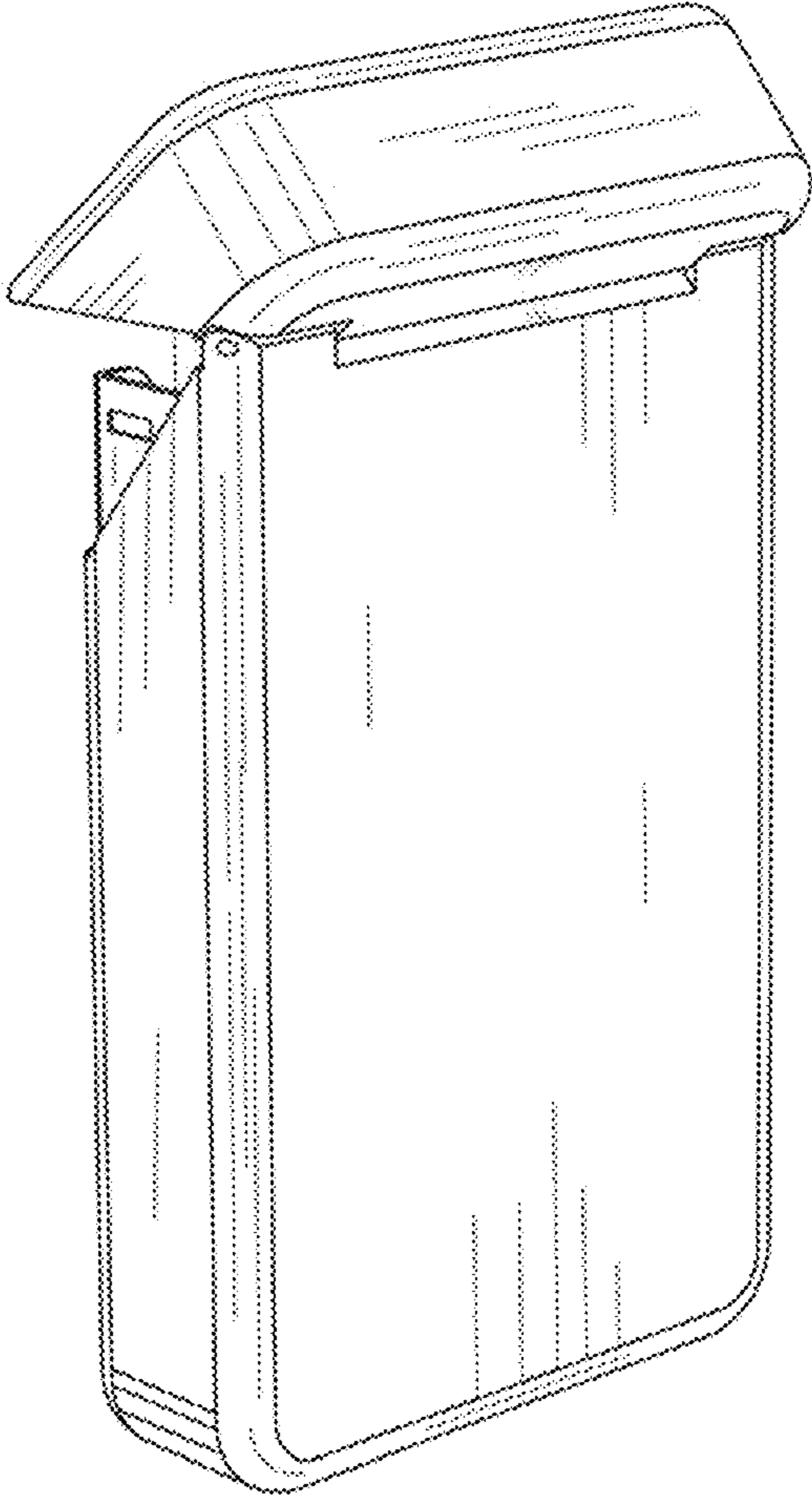


Fig . 10