



US00D736455S

(12) **United States Design Patent**
Liu

(10) **Patent No.:** **US D736,455 S**

(45) **Date of Patent:** **** Aug. 11, 2015**

(54) **ELECTRONIC CIGARETTE CASE**

(71) Applicant: **Qiuming Liu**, Shenzhen (CN)

(72) Inventor: **Qiuming Liu**, Shenzhen (CN)

(73) Assignee: **KIMREE HI-TECH INC.**, Tortola (VG)

(**) Term: **14 Years**

(21) Appl. No.: **29/470,783**

(22) Filed: **Oct. 24, 2013**

(30) **Foreign Application Priority Data**

Jun. 25, 2013 (CN) 2013 3 0280840

(51) **LOC (10) Cl.** **27-06**

(52) **U.S. Cl.**
USPC **D27/189**

(58) **Field of Classification Search**

USPC D27/129, 141, 144, 152, 153, 157, 160,
D27/172, 174, 175, 183, 186, 187, 189-191,
D27/193, 194; D9/420, 423, 504, 529, 545,
D9/686, 688; D13/108; 206/242, 249, 250,
206/256, 259, 261, 264, 265, 267, 268;
D3/273, 294; 131/270-273, 329-330,
131/347

CPC A24F 13/14; A24F 9/16; A24F 15/00;
A24F 15/12; A24F 15/14; A24F 15/18;
A24F 15/005; A24F 15/20; A24F 23/00;
A24F 23/04

See application file for complete search history.

(56) **References Cited**

U.S. PATENT DOCUMENTS

D675,917 S * 2/2013 Holford D9/423
D677,000 S * 2/2013 Liu D27/189

D677,001 S *	2/2013	Liu	D27/189
D681,268 S *	4/2013	Wu	D27/189
D681,269 S *	4/2013	Wu	D27/189
D683,899 S *	6/2013	Liu	D27/189
D688,418 S *	8/2013	Liu	D27/189
D706,976 S *	6/2014	Wu	D27/189
8,794,245 B1 *	8/2014	Scatterday	131/329
D723,733 S *	3/2015	Liu	D27/189
2012/0227753 A1 *	9/2012	Newton	131/347
2013/0342157 A1 *	12/2013	Liu	320/107
2014/0007892 A1 *	1/2014	Liu	131/329
2014/0299491 A1 *	10/2014	Liu	206/236

* cited by examiner

Primary Examiner — Susan Bennett Hattan

Assistant Examiner — Janice Hallmark

(74) *Attorney, Agent, or Firm* — Cheng-Ju Chiang

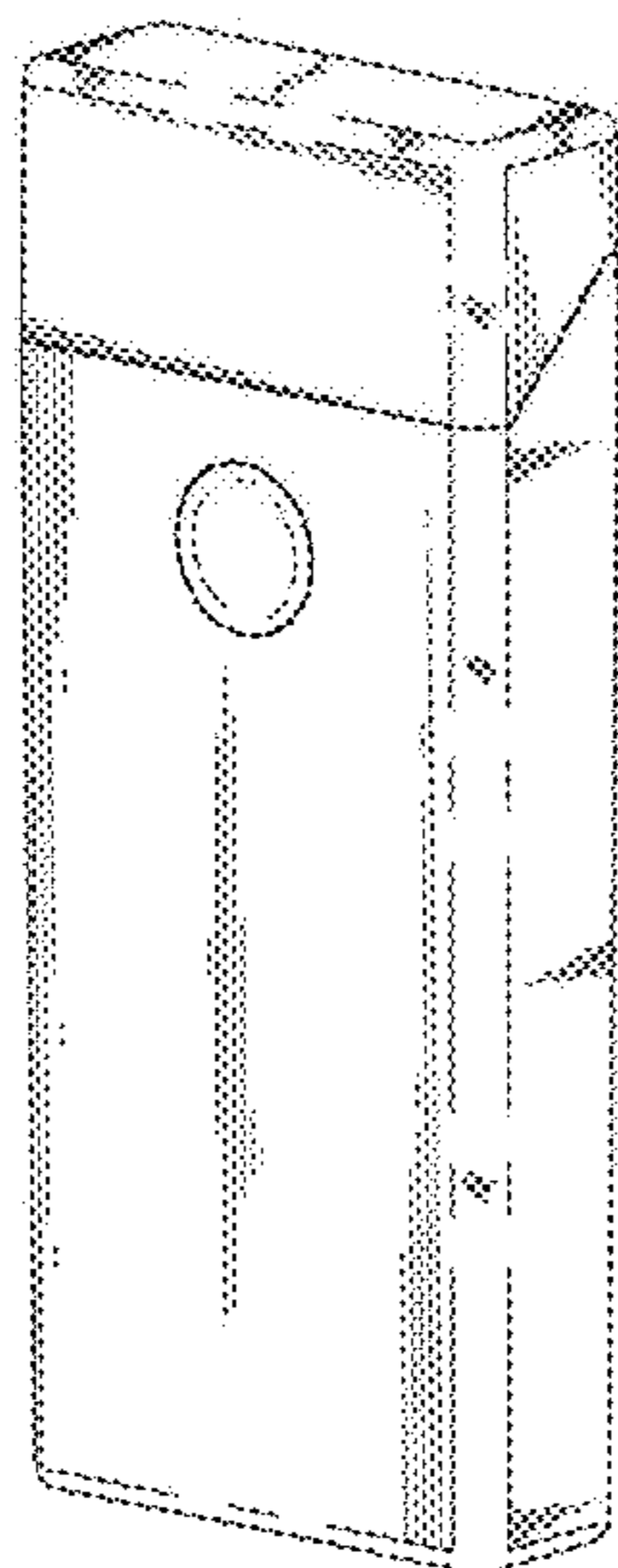
(57) **CLAIM**

The ornamental design for an “electronic cigarette case,” as shown and described.

DESCRIPTION

FIG. 1 is a front, top and right side perspective view of an electronic cigarette case showing my new design; FIG. 2 is a rear, top and left side perspective view of FIG. 1; FIG. 3 is a front elevational view of FIG. 1; FIG. 4 is a rear elevational view of FIG. 1; FIG. 5 is a left side elevational view of FIG. 1; FIG. 6 is a right side elevational view of FIG. 1; FIG. 7 is a top plan view of FIG. 1; FIG. 8 is a bottom plan view of FIG. 1; and, FIG. 9 is a front, top and right side perspective view of the electronic cigarette case with a top cover thereof open. The broken lines in the drawings depict environmental subject matter and are for illustrative purposes only and form no part of the claimed design.

1 Claim, 9 Drawing Sheets



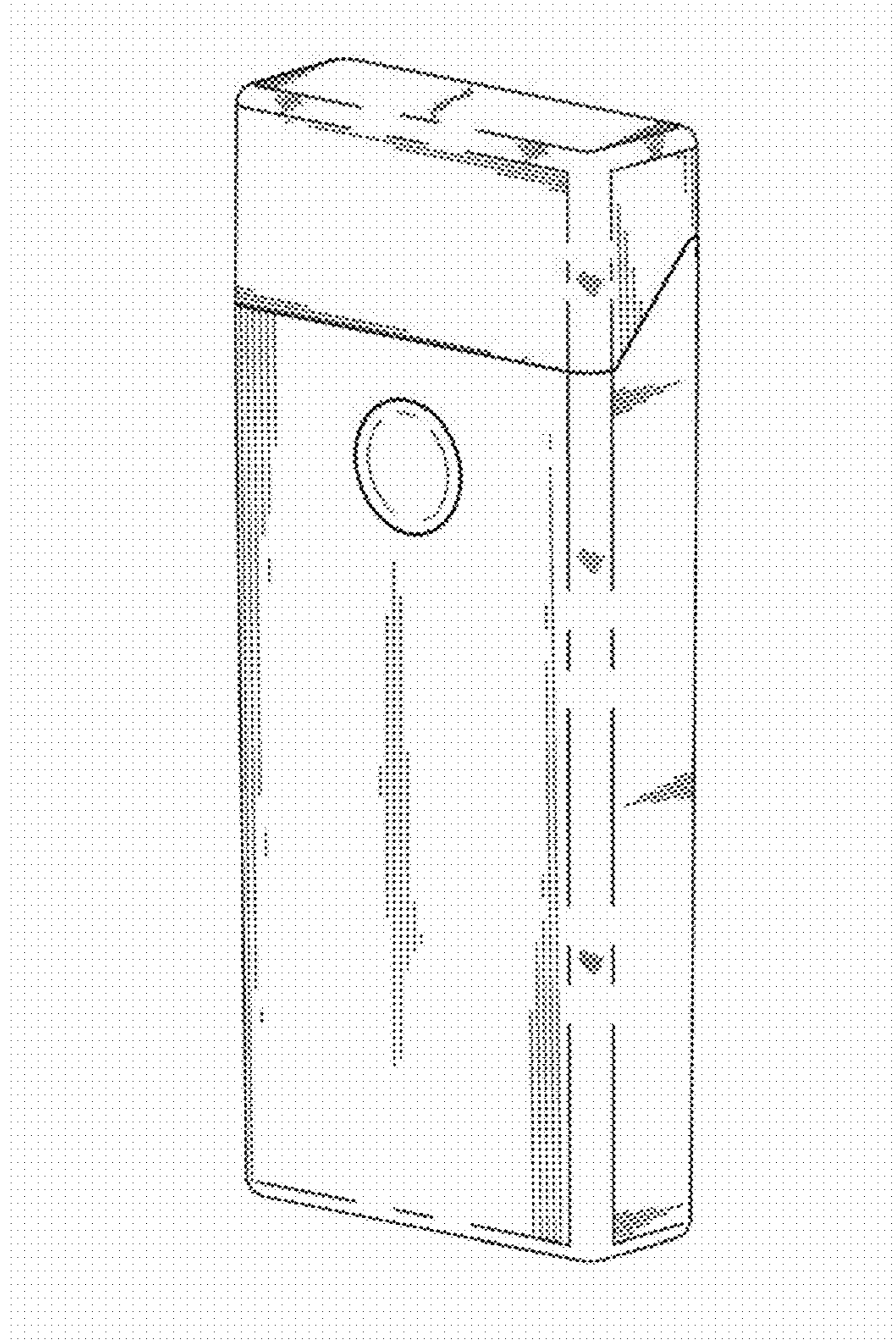


Fig. 1

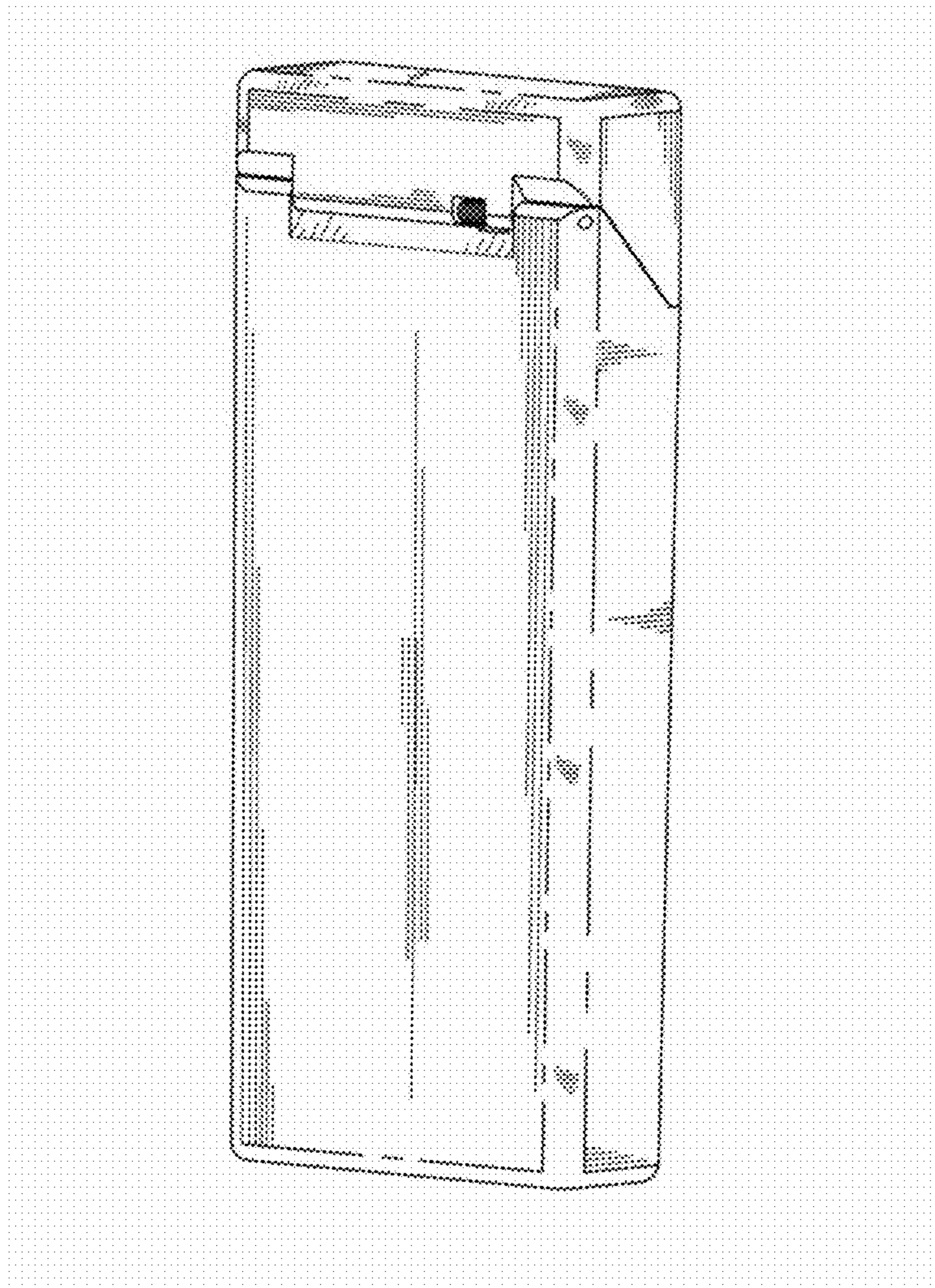


Fig. 2

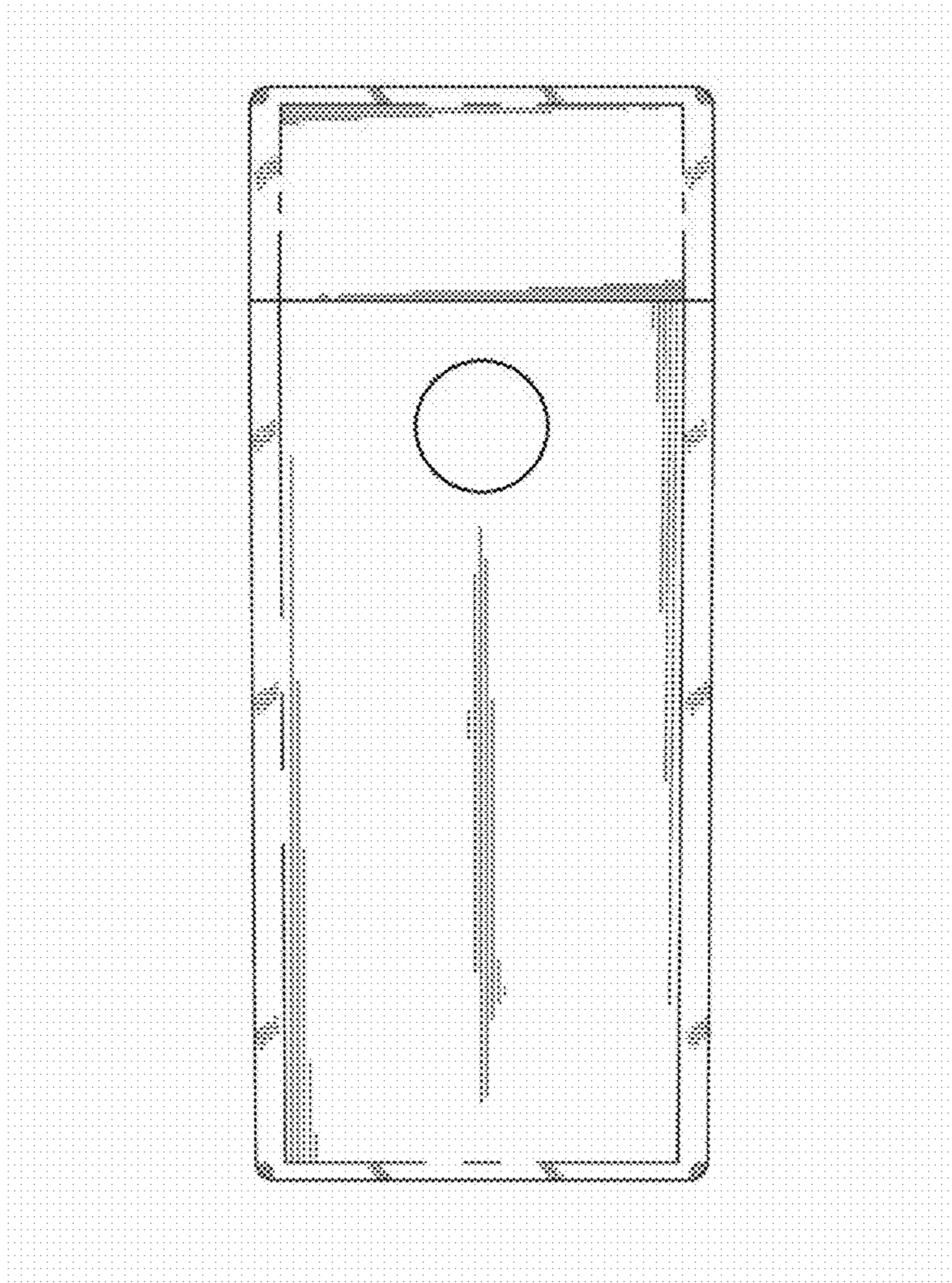


Fig. 3

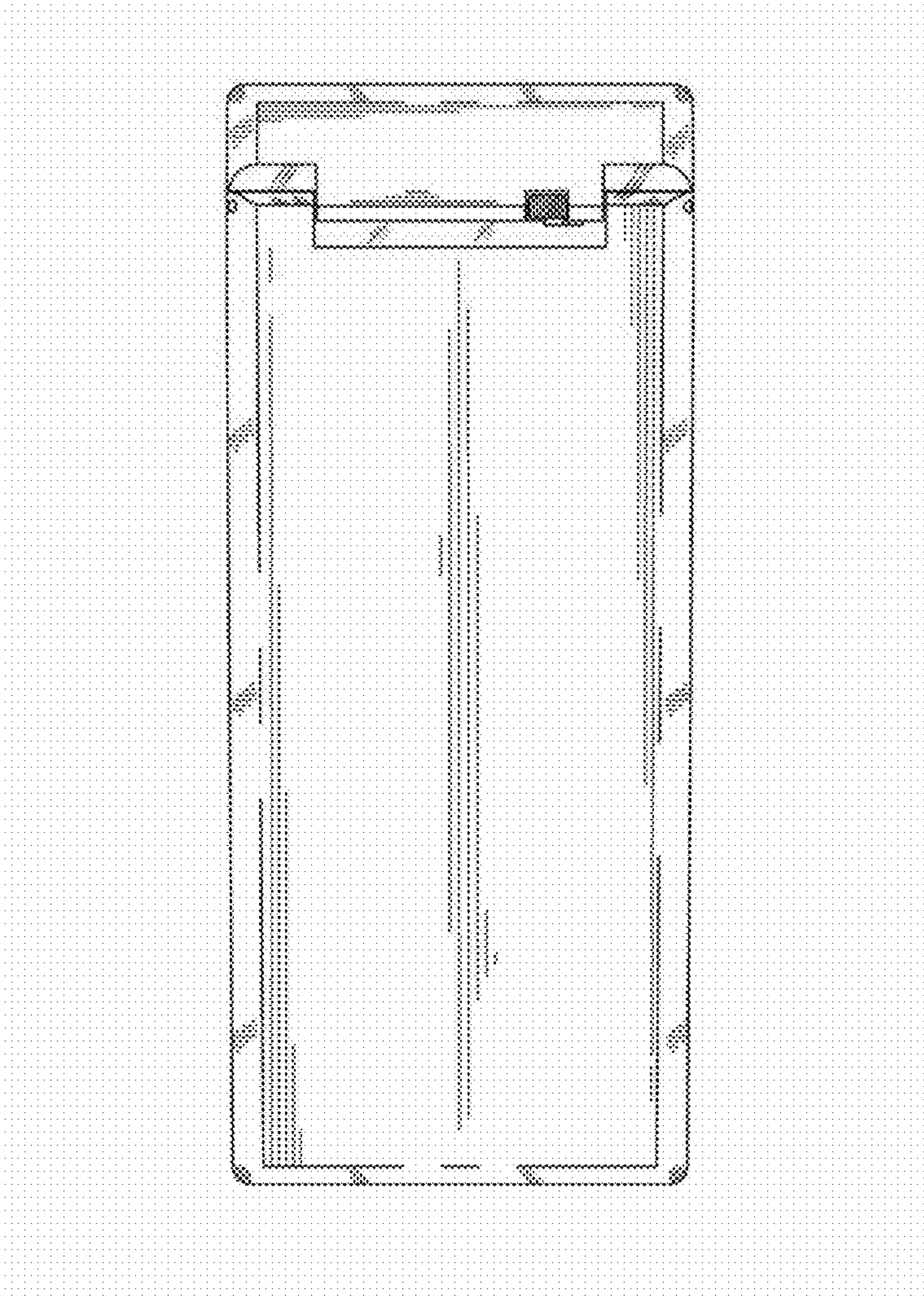


Fig. 4

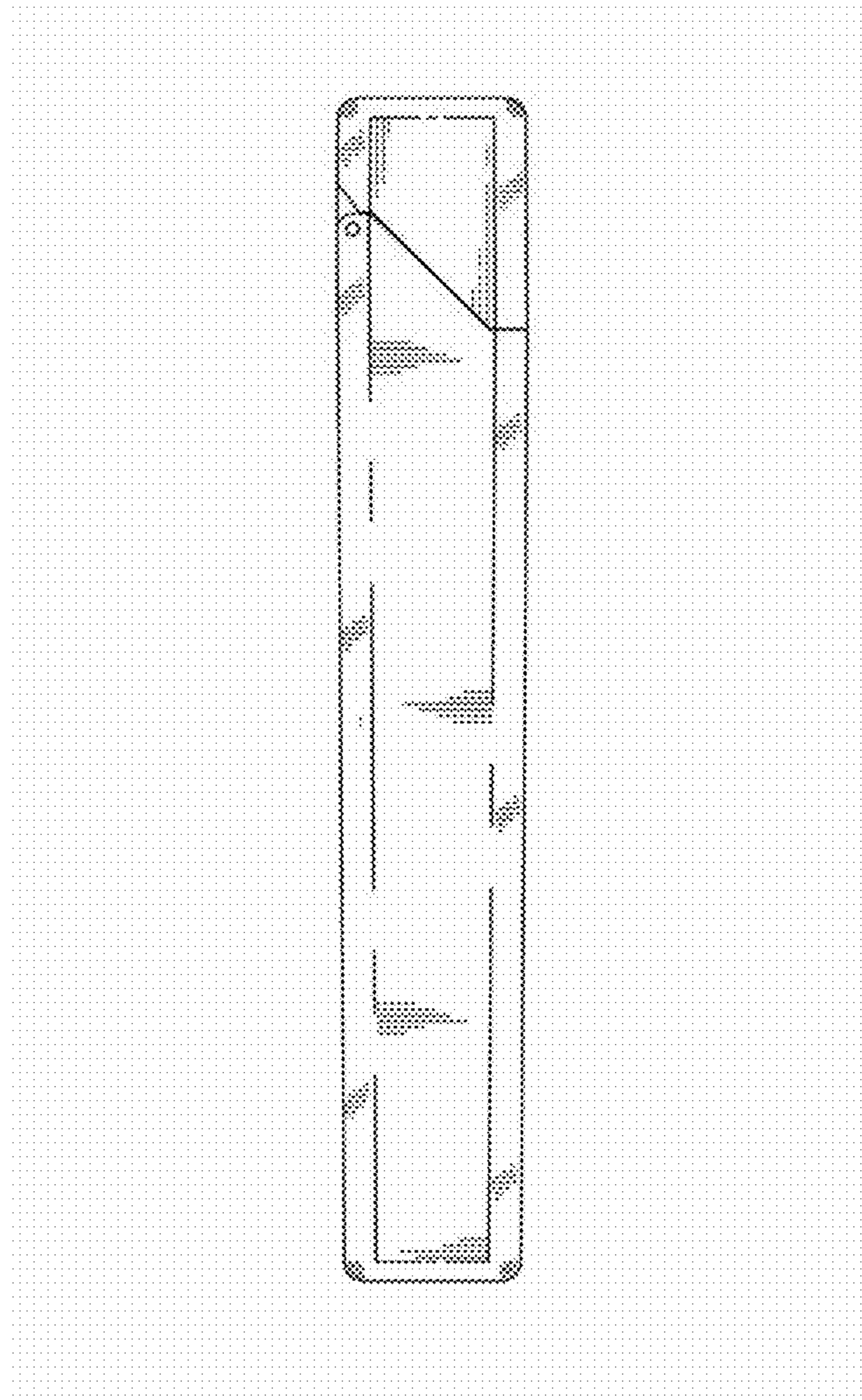


Fig. 5

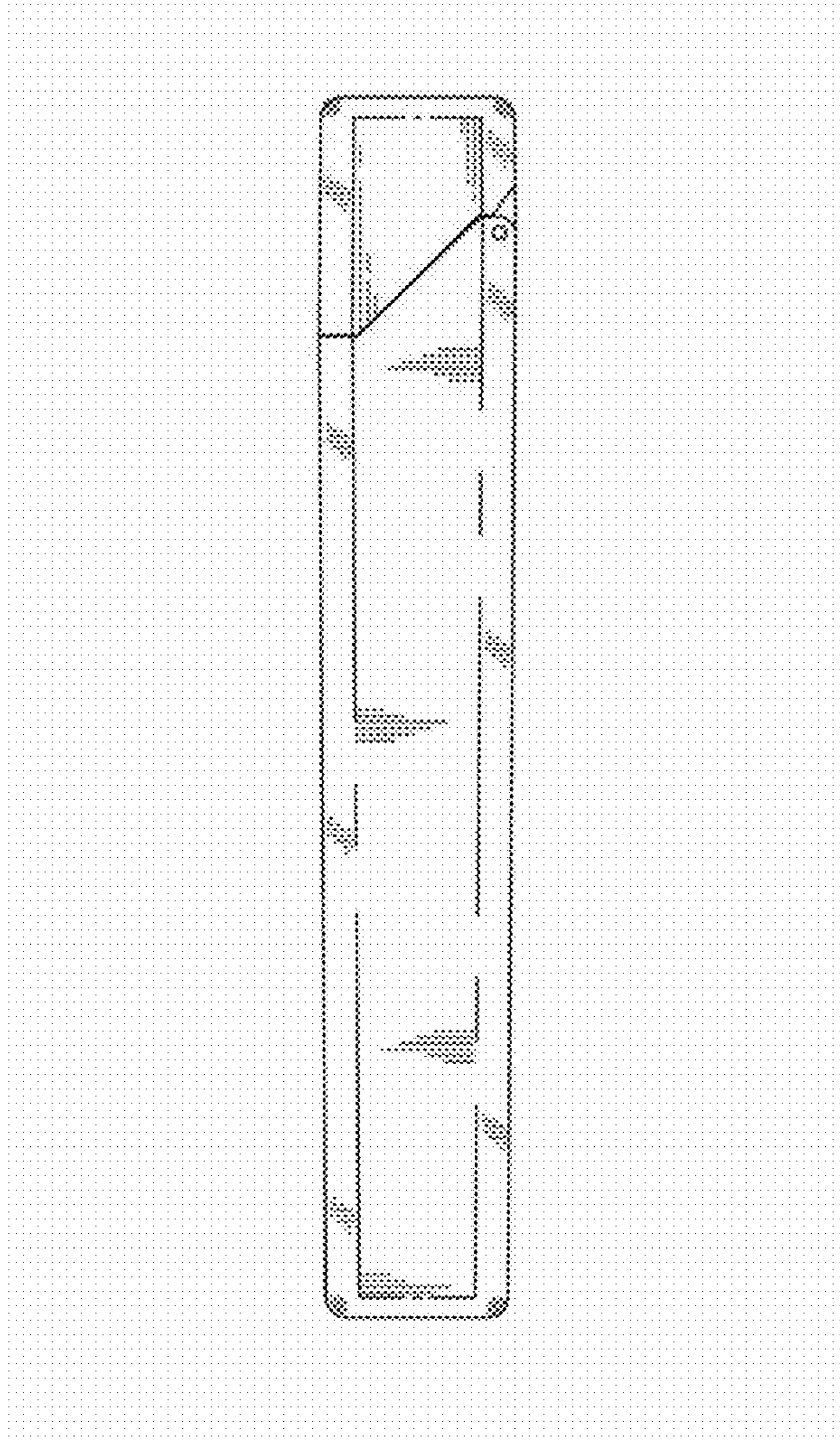


Fig. 6

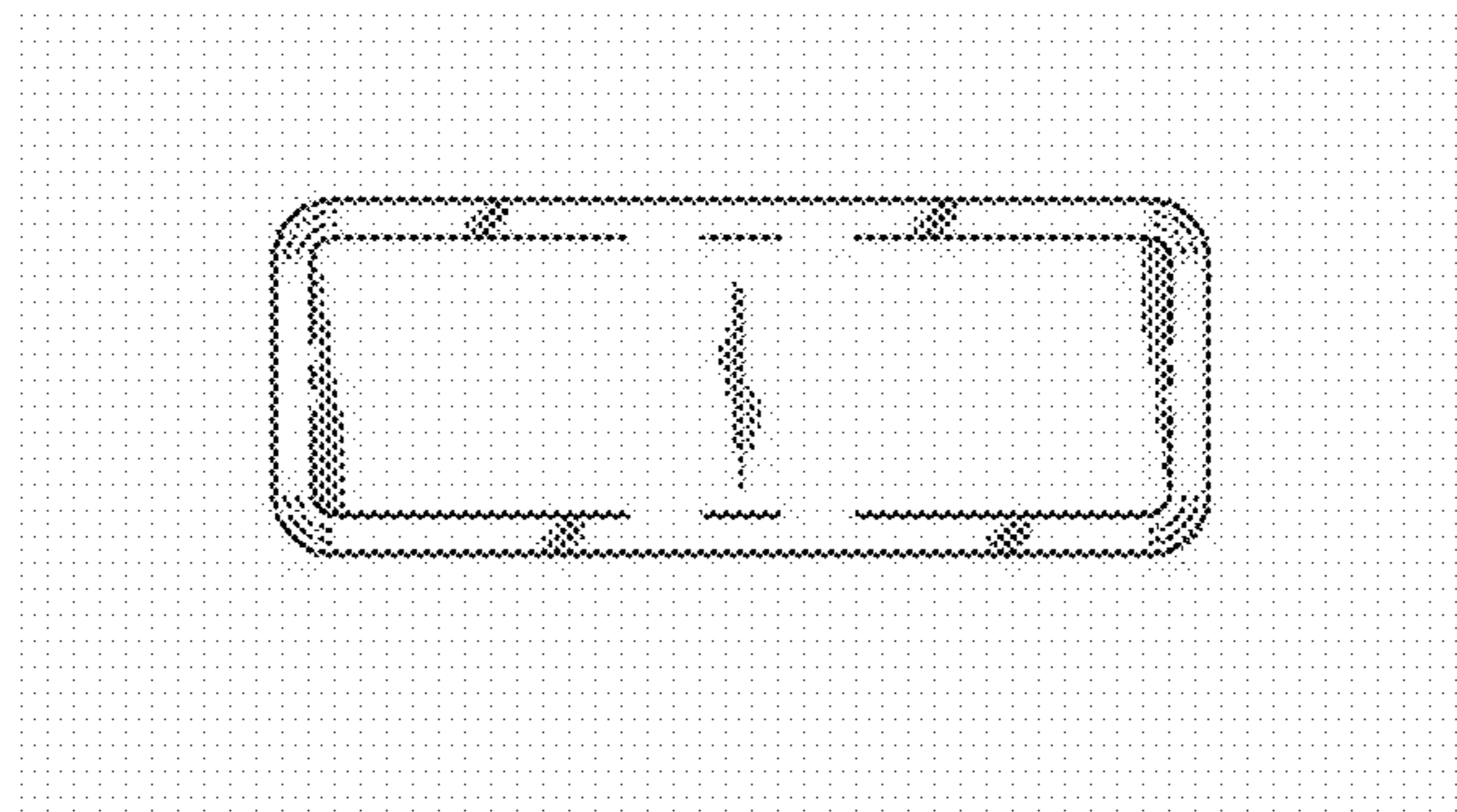


Fig. 7

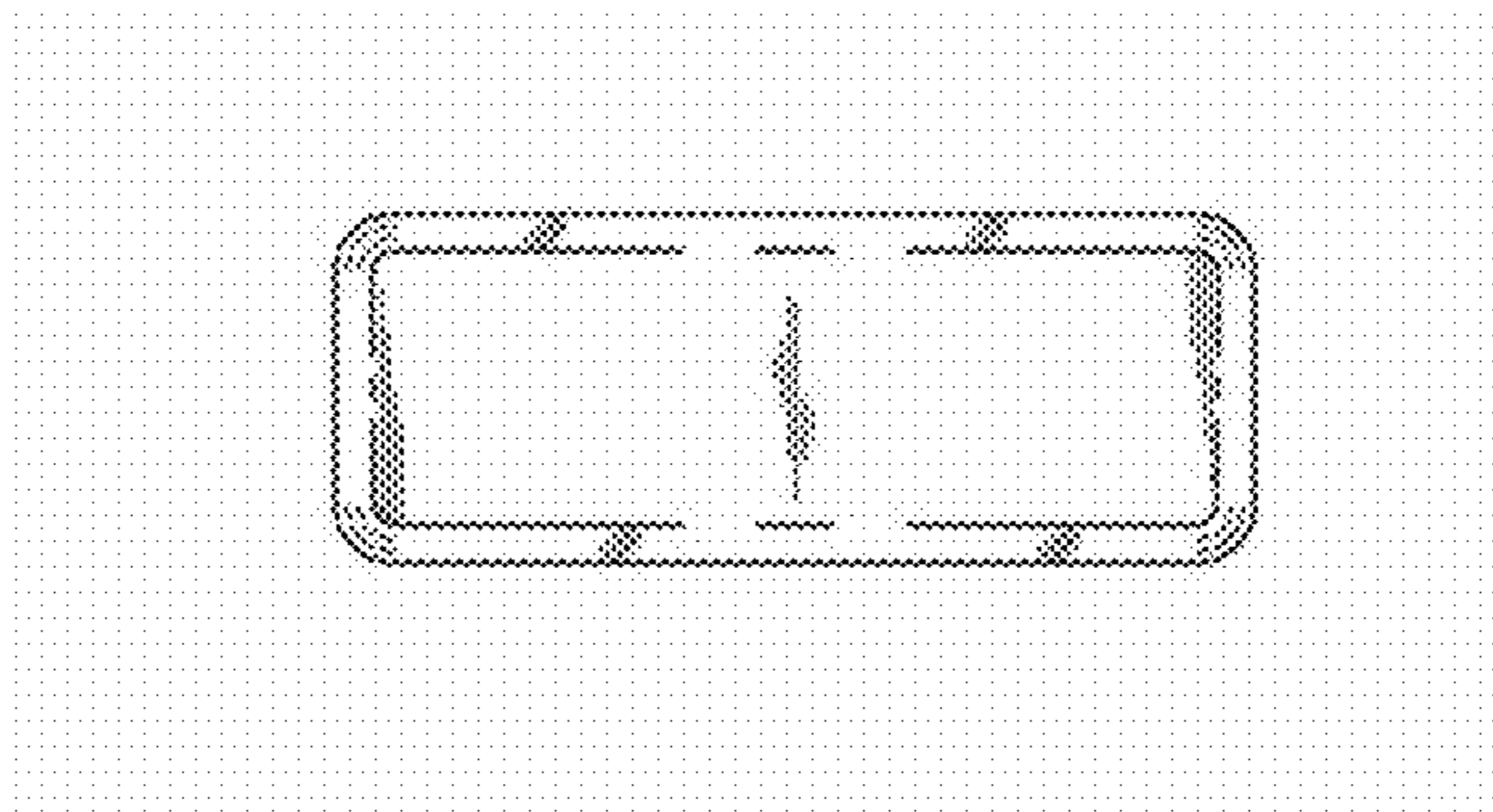


Fig . 8

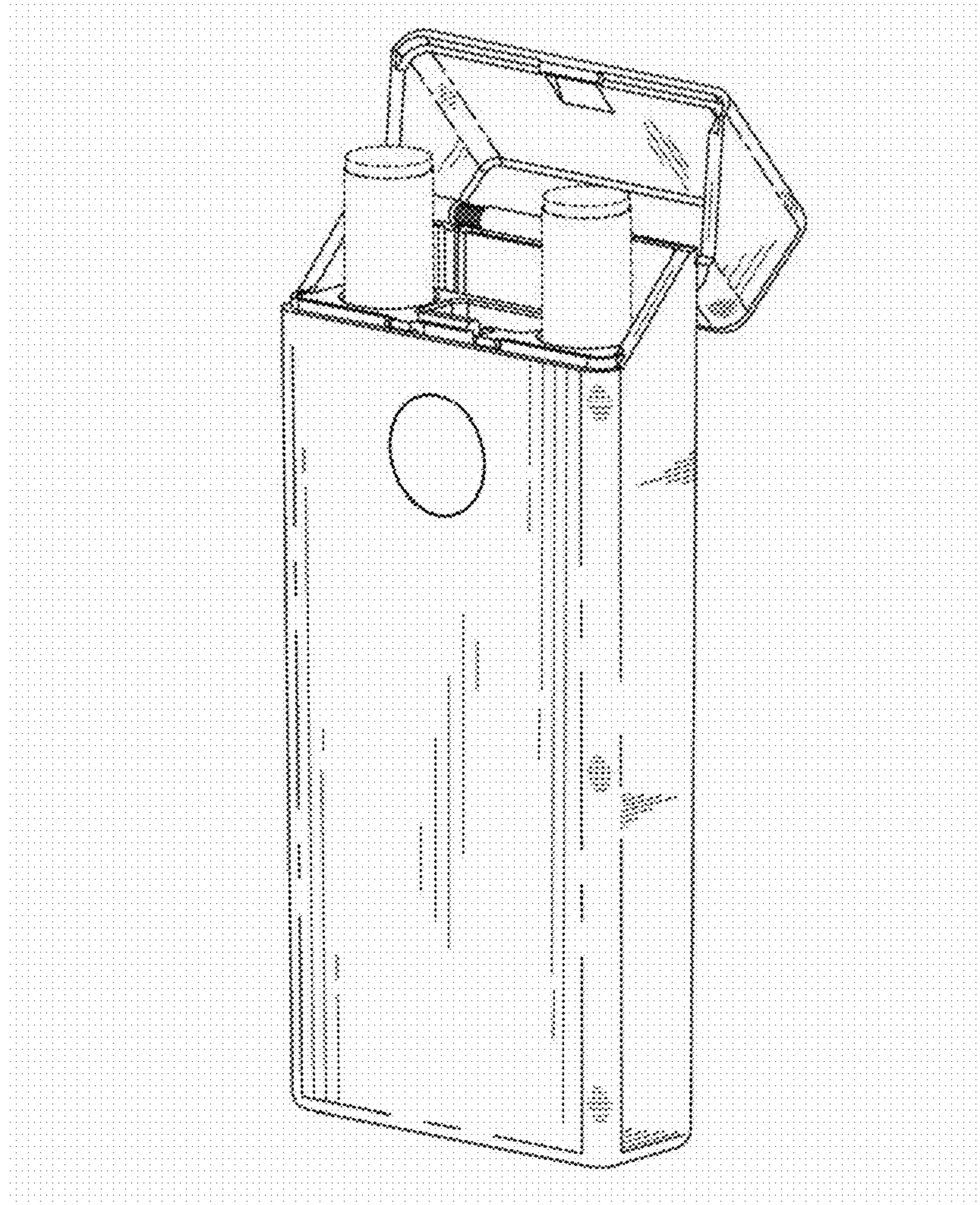


Fig . 9