



US00D736454S

(12) **United States Design Patent**
Audibert

(10) **Patent No.:** **US D736,454 S**

(45) **Date of Patent:** **** Aug. 11, 2015**

(54) **CIGAR HOLDER**

(71) Applicant: **Ken Audibert**, Ladera Ranch, CA (US)

(72) Inventor: **Ken Audibert**, Ladera Ranch, CA (US)

(73) Assignee: **Cambran, Inc.**, Ladera Ranch, CA (US)

(**) Term: **14 Years**

(21) Appl. No.: **29/484,727**

(22) Filed: **Mar. 12, 2014**

(51) **LOC (10) Cl.** **27-06**

(52) **U.S. Cl.**

USPC **D27/183**; D8/34; D27/195

(58) **Field of Classification Search**

USPC D27/183, 172, 186, 187, 192, 194, 195,
D27/102-104; 131/190, 187, 257, 259, 260,
131/240.1, 241; D8/33, 34, 40, 349, 354,
D8/356, 366, 367, 368, 371, 373, 380, 382,
D8/394, 395, 396

CPC A24F 13/02; A24F 13/1216; A24F 13/22;
A24F 19/00; A24F 19/0035; A24F 19/0042;
A45F 5/02; A63B 55/10

See application file for complete search history.

(56) **References Cited**

U.S. PATENT DOCUMENTS

D27,400	S	*	7/1897	Ball et al.	D8/368
D29,785	S	*	12/1898	Baldwin	D27/186
642,236	A	*	1/1900	Larmier	24/3.12
699,259	A	*	5/1902	Trenholm	131/241
D41,988	S	*	12/1911	Selle	D8/366
1,423,507	A	*	7/1922	Louise	131/257
1,711,678	A	*	5/1929	Harding	81/3.27
D109,695	S	*	5/1938	Calencia	D8/18
2,136,855	A	*	11/1938	Lancaster	24/3.1
D121,901	S	*	8/1940	Rice	D8/18
D156,928	S	*	1/1950	Wooden	D3/328
D158,191	S	*	4/1950	Harvey	D27/183
D167,635	S	*	9/1952	Kather	D27/170

2,775,815	A	*	1/1957	Thompson	30/123
3,001,529	A	*	9/1961	Watson	131/257
D196,249	S	*	9/1963	Kominik	D8/40
D197,417	S	*	1/1964	Kirkpatrick	D8/356
D201,638	S	*	7/1965	Fenburr	D8/371
D215,405	S	*	9/1969	Patnaude	D8/382
D247,686	S	*	4/1978	Desjardins	D21/793
4,264,024	A	*	4/1981	Harris, Jr.	224/250
D265,047	S	*	6/1982	Reel	D8/18
D288,284	S	*	2/1987	Courtemanche et al.	D8/373
D294,914	S	*	3/1988	Chase et al.	D8/373

(Continued)

OTHER PUBLICATIONS

cigar-jockey. cigar-jockey.com (online) 2 pages. Uploaded Jun. 26, 2005 [retrieved on Apr. 1, 2015. Retrieved from Internet: <<https://web.archive.org/web/20050626010646/http://www.cigar-jockey.com/>>.*

(Continued)

Primary Examiner — Susan Bennett Hattan

Assistant Examiner — Marie Fast Horse

(74) *Attorney, Agent, or Firm* — Rutan & Tucker LLP; Hani Z. Sayed

(57)

CLAIM

The ornamental design for a cigar holder, as shown and described.

DESCRIPTION

FIG. 1 is a top, front, right side, perspective view of my new design;

FIG. 2 is front elevation view;

FIG. 3 is a rear elevation view;

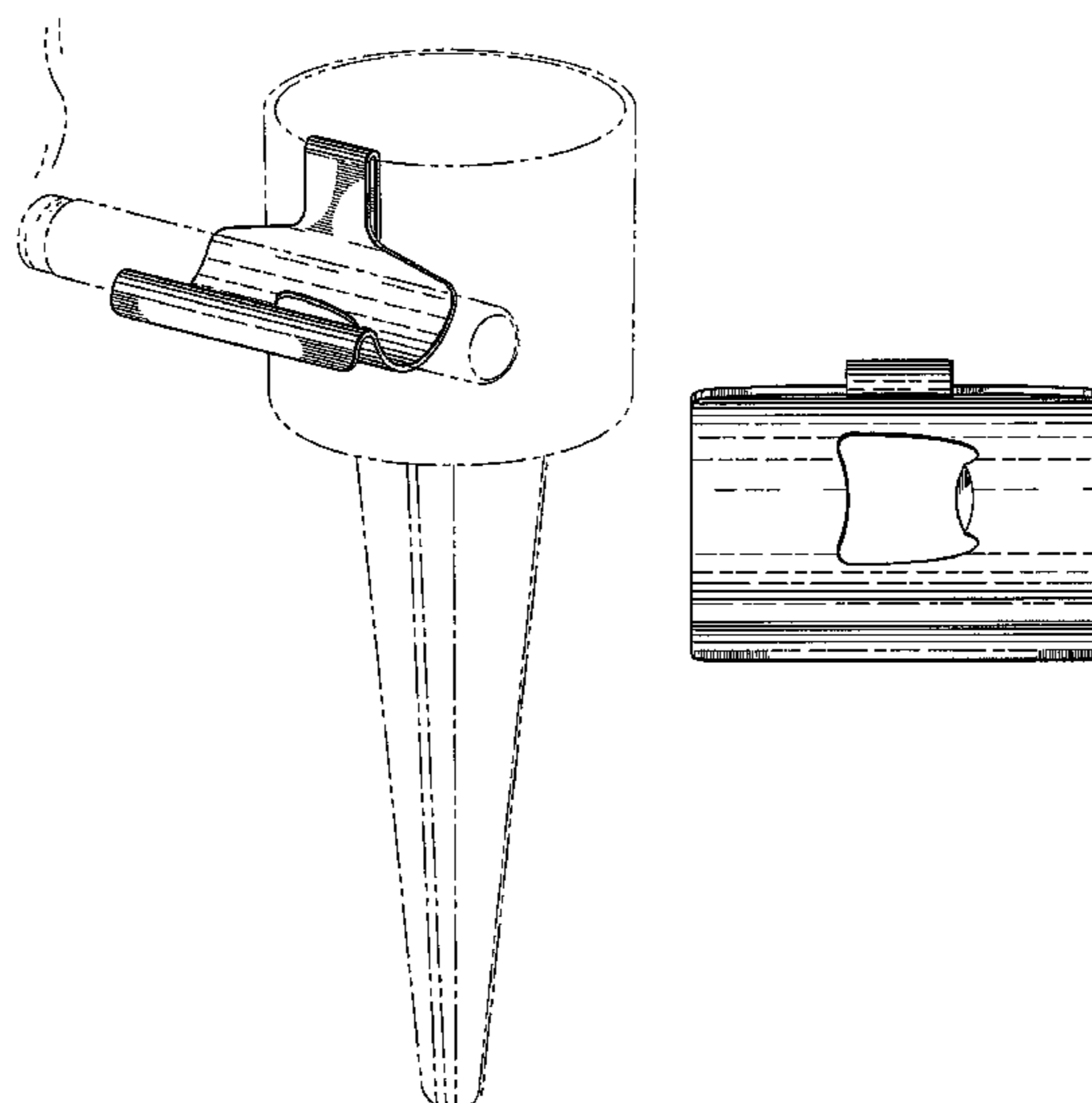
FIG. 4 is a left side elevation view, the right side elevation view being a mirror image;

FIG. 5 is a top plan view; and,

FIG. 6 is a bottom plan view.

The broken lines in FIG. 1 depict environmental subject matter only and form no part of the claimed design.

1 Claim, 2 Drawing Sheets



(56)

References Cited

U.S. PATENT DOCUMENTS

- | | | | | | |
|--------------|------|---------|------------------|-------|------------|
| D303,915 | S * | 10/1989 | Knutson | | D8/18 |
| D304,414 | S * | 11/1989 | Ely | | D8/18 |
| D308,935 | S * | 7/1990 | Leatherman | | D8/395 |
| 5,024,404 | A * | 6/1991 | Ballard | | 248/62 |
| D349,042 | S * | 7/1994 | Costello | | D8/373 |
| 5,619,774 | A * | 4/1997 | Perry | | 24/3.6 |
| D379,551 | S * | 5/1997 | Hubbard | | D27/183 |
| D389,214 | S * | 1/1998 | Impastato, II | | D21/794 |
| D392,770 | S * | 3/1998 | Scallon et al. | | D27/183 |
| D394,999 | S * | 6/1998 | Phillip | | D8/380 |
| D396,405 | S * | 7/1998 | Zaccardelli | | D8/373 |
| 5,813,414 | A * | 9/1998 | Zutler et al. | | 131/241 |
| 5,868,143 | A * | 2/1999 | Nielsen | | 131/329 |
| 5,909,735 | A * | 6/1999 | Knudsen | | 131/257 |
| D413,184 | S * | 8/1999 | Cooper | | D28/64.3 |
| D436,008 | S * | 1/2001 | Klein et al. | | D8/34 |
| 6,394,329 | B1 * | 5/2002 | Magee | | 224/678 |
| D466,381 | S * | 12/2002 | Joseph | | D8/18 |
| D473,434 | S * | 4/2003 | Coburn | | D8/18 |
| D473,437 | S * | 4/2003 | Klein et al. | | D8/34 |
| D485,393 | S * | 1/2004 | Cervantes et al. | | D27/183 |
| D521,332 | S * | 5/2006 | Dighton et al. | | D8/38 |
| 7,165,475 | B2 * | 1/2007 | Teppe | | 81/3.55 |
| D544,766 | S * | 6/2007 | Hayes et al. | | D8/37 |
| D550,898 | S * | 9/2007 | Burkholder | | D27/183 |
| D575,449 | S * | 8/2008 | Williamson | | D27/183 |
| D576,021 | S * | 9/2008 | Goodman et al. | | D8/372 |
| D594,721 | S * | 6/2009 | Smith | | D8/18 |
| D607,310 | S * | 1/2010 | Williams | | D8/367 |
| D624,758 | S * | 10/2010 | Seehoff | | D6/323 |
| D626,285 | S * | 10/2010 | Adame | | D27/183 |
| D627,851 | S * | 11/2010 | Swan | | D22/108 |
| D628,052 | S * | 11/2010 | Carl | | D8/367 |
| D632,549 | S * | 2/2011 | Williams | | D8/367 |
| D674,674 | S * | 1/2013 | Meulendijks | | D8/38 |
| D682,058 | S * | 5/2013 | Puglisi et al. | | D8/34 |
| 8,439,768 | B1 * | 5/2013 | Shah | | 473/282 |
| D716,641 | S * | 11/2014 | Goodman et al. | | D8/371 |
| 2004/0083552 | A1 * | 5/2004 | Abrahall | | 7/151 |
| 2004/0178240 | A1 * | 9/2004 | Bauer | | 224/268 |
| 2004/0182402 | A1 * | 9/2004 | Cervantes et al. | | 131/257 |
| 2006/0011681 | A1 * | 1/2006 | Raimondo et al. | | 224/268 |
| 2006/0070634 | A1 * | 4/2006 | Brunkow | | 131/259 |
| 2007/0095991 | A1 * | 5/2007 | Fall | | 248/229.26 |
| 2007/0261705 | A1 * | 11/2007 | Myers | | 131/241 |
| 2010/0012807 | A1 * | 1/2010 | Perman | | 248/312 |

OTHER PUBLICATIONS

HeaterHolder-HHSS-Golfers-Cigar-Holder. amazon.com(online) 6 pages. Uploaded as early as Aug. 1, 2010 [retrieved on Apr. 1, 2015. Retrieved from Internet: <http://www.amazon.com/HeaterHolder-HHSS-Golfers-Cigar-Holder/dp/B001ILFD4I/ref=pd_sim_sbs_sg_1?ie=UTF8&refRID=0D7236AWDHN12Y36YSGF>.*

* cited by examiner

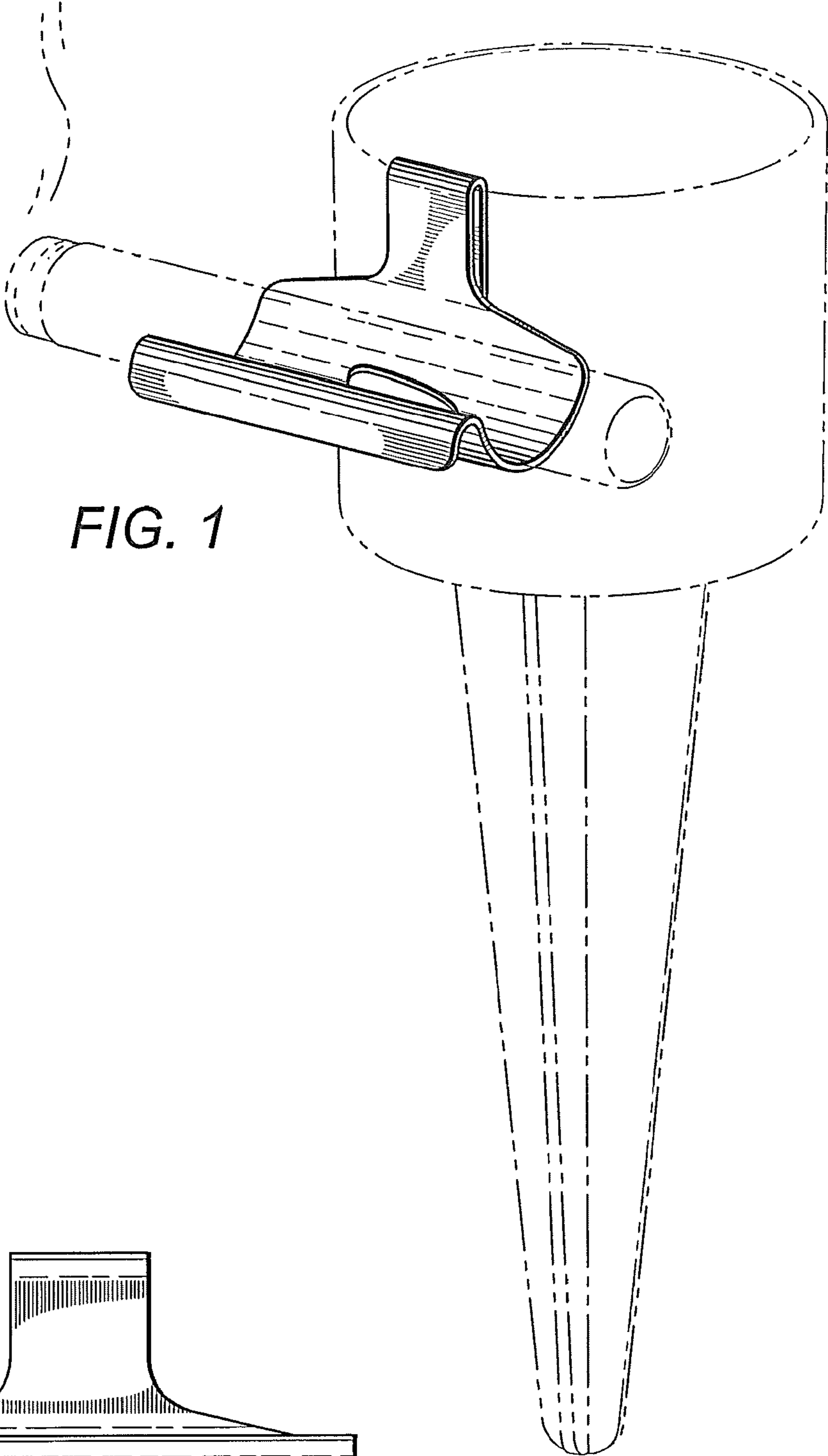


FIG. 1

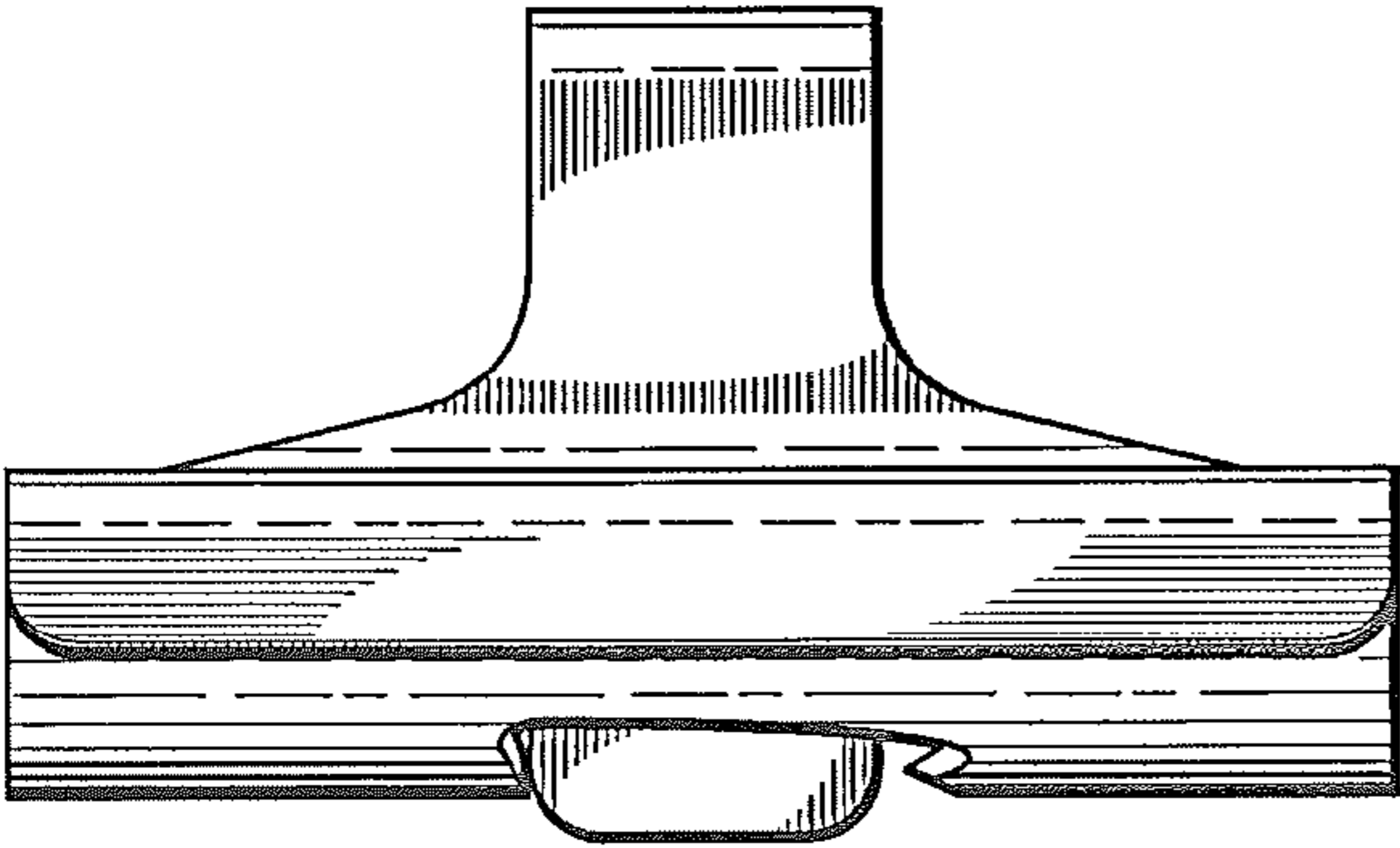


FIG. 2

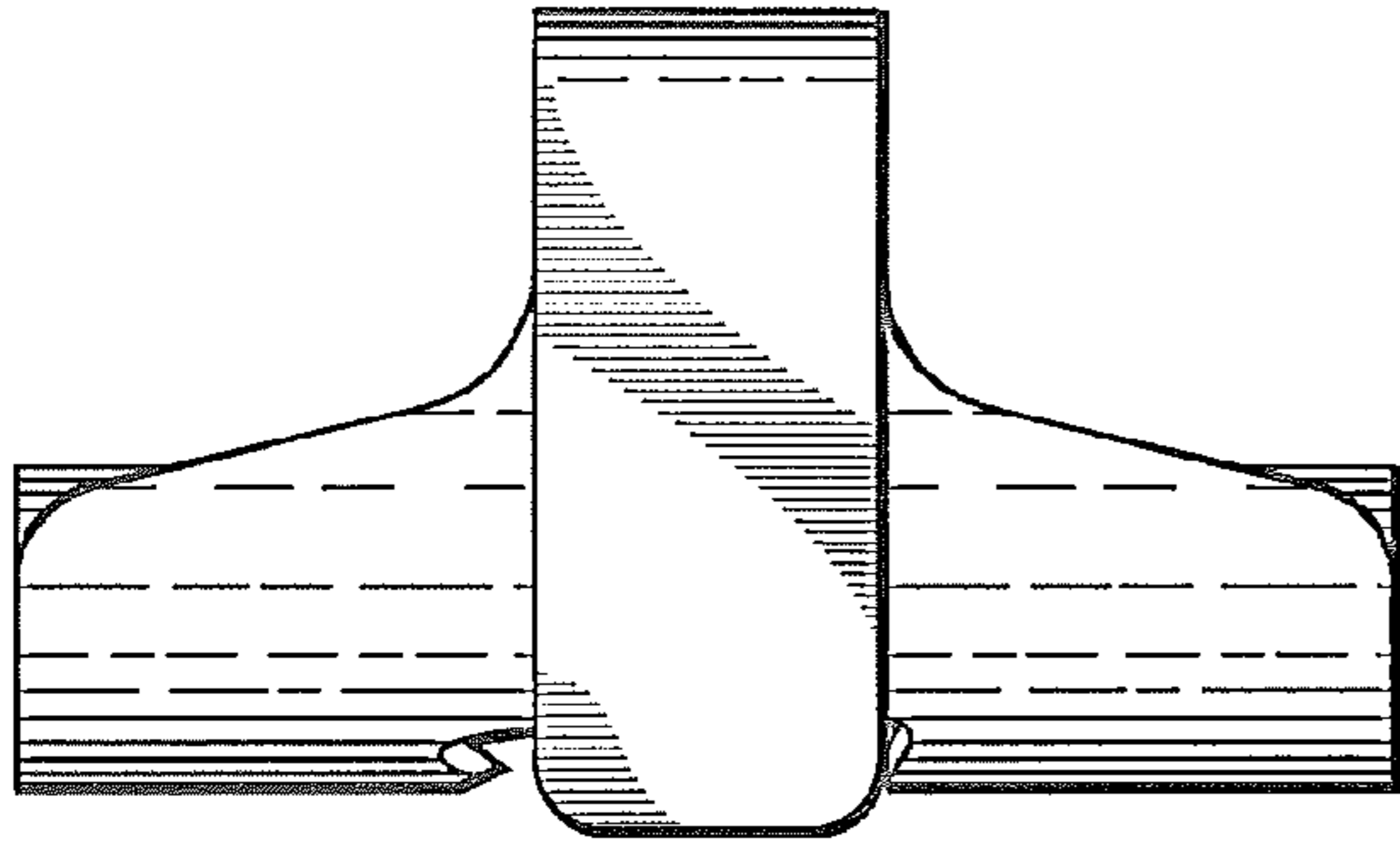


FIG. 3

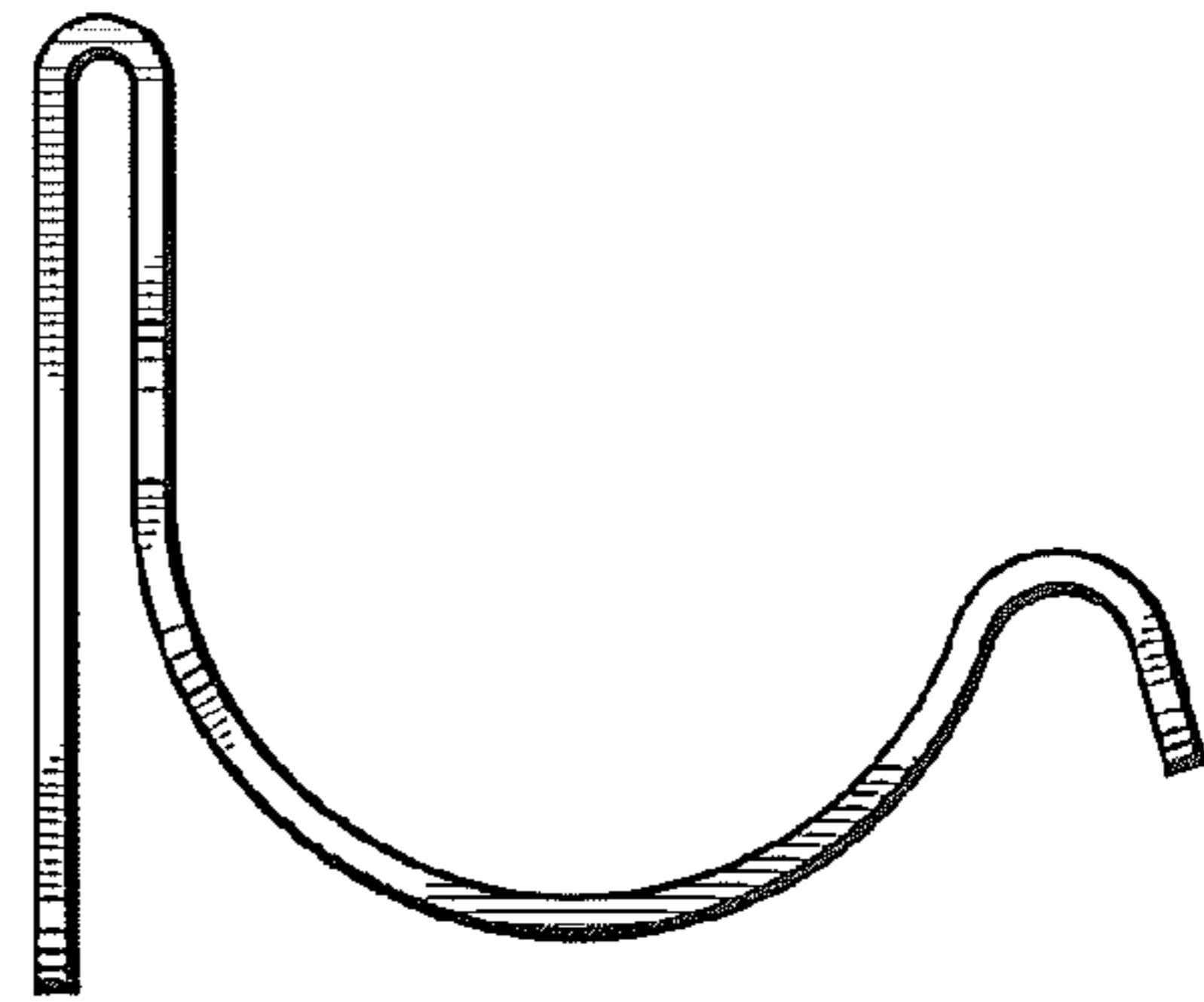


FIG. 4

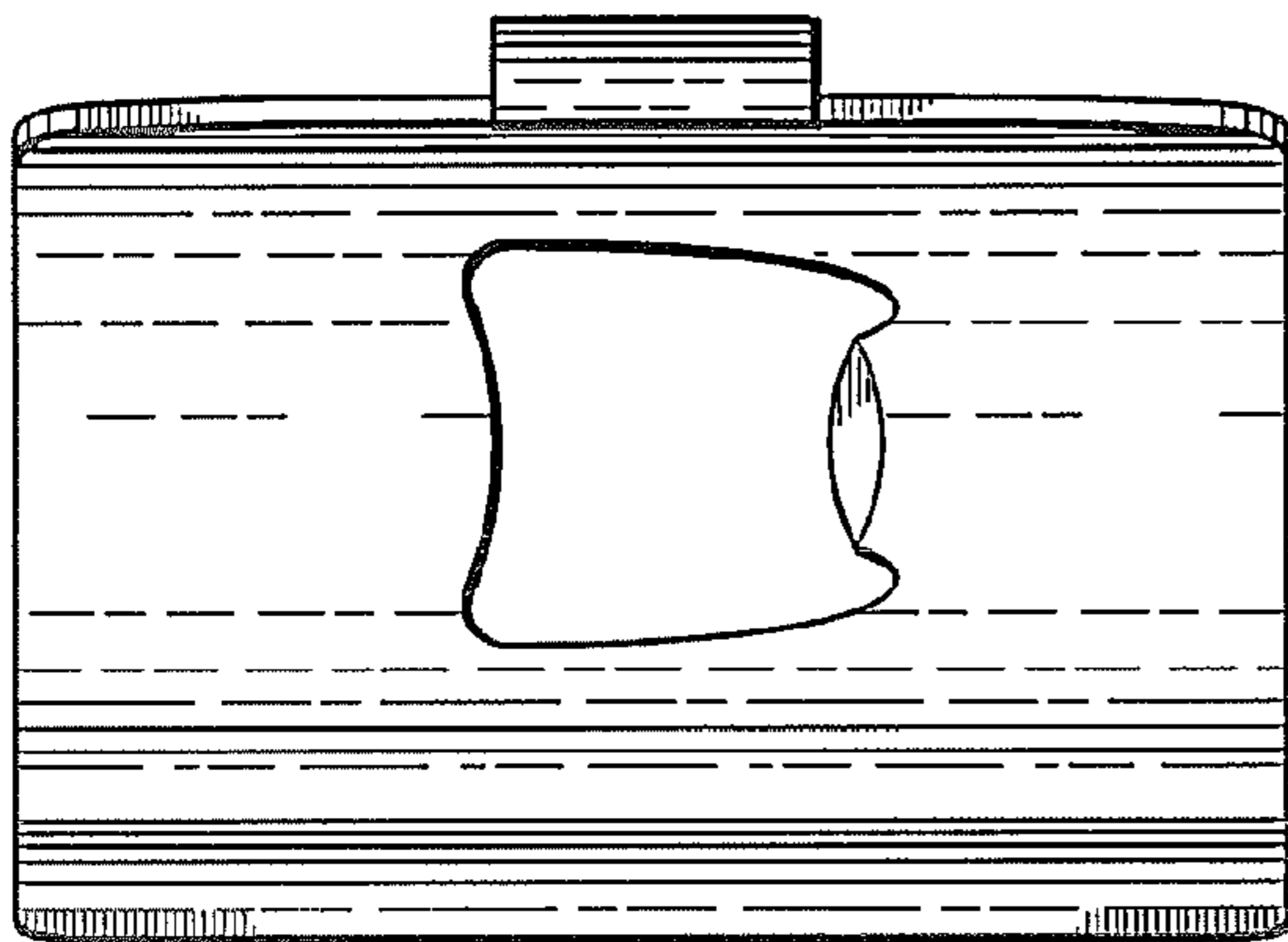


FIG. 5

FIG. 6

