



US00D736450S

(12) **United States Design Patent**  
**Reynolds**

(10) **Patent No.:** **US D736,450 S**  
(45) **Date of Patent:** **\*\* Aug. 11, 2015**

- (54) **HORTICULTURE GROW LIGHT HOUSING**
- (71) Applicant: **IP Holdings, LLC**, Vancouver, WA (US)
- (72) Inventor: **Christopher Reynolds**, Vancouver, WA (US)
- (73) Assignee: **IP Holdings, LLC**, Vancouver, WA (US)
- (\*\*) Term: **14 Years**
- (21) Appl. No.: **29/478,005**
- (22) Filed: **Dec. 30, 2013**

6,595,662 B2 \* 7/2003 Wardenburg ..... 362/362  
 D542,460 S \* 5/2007 Hargreaves ..... D26/118  
 D543,652 S \* 5/2007 Hargreaves ..... D26/76

(Continued)

**OTHER PUBLICATIONS**

Magnum XXXL 6 Inch Air Cooled, image post date Feb. 16, 2012, site visited Oct. 3, 2014, (online), <<http://web.archive.org/web/20120216062431/http://www.hydroponics.net/i/136974>>.\*

*Primary Examiner* — Kevin Rudzinski

*Assistant Examiner* — Sean D Lough

(74) *Attorney, Agent, or Firm* — J. Douglas Wells

(57) **CLAIM**

The ornamental design for a horticulture grow light housing, as shown and described.

**DESCRIPTION**

FIG. 1 is a perspective view of a horticulture grow light housing, as viewed from below, showing my new design;  
 FIG. 2 is a perspective view of the light housing shown in FIG. 1, as viewed from above;  
 FIG. 3 is a left side view of the light housing shown in FIG. 1;  
 FIG. 4 is a right side view of the light housing shown in FIG. 1;  
 FIG. 5 is a front elevation view of the light housing shown in FIG. 1;  
 FIG. 6 is a rear elevation view of the light housing shown in FIG. 1;  
 FIG. 7 is a top plan view of the light housing shown in FIG. 1; and,  
 FIG. 8 is a bottom plan view of the light housing shown in FIG. 1.

The broken-line disclosure shown in the views is understood to represent portions of the article in which the claimed design is embodied, but which form no part of the claimed design.

**1 Claim, 6 Drawing Sheets**

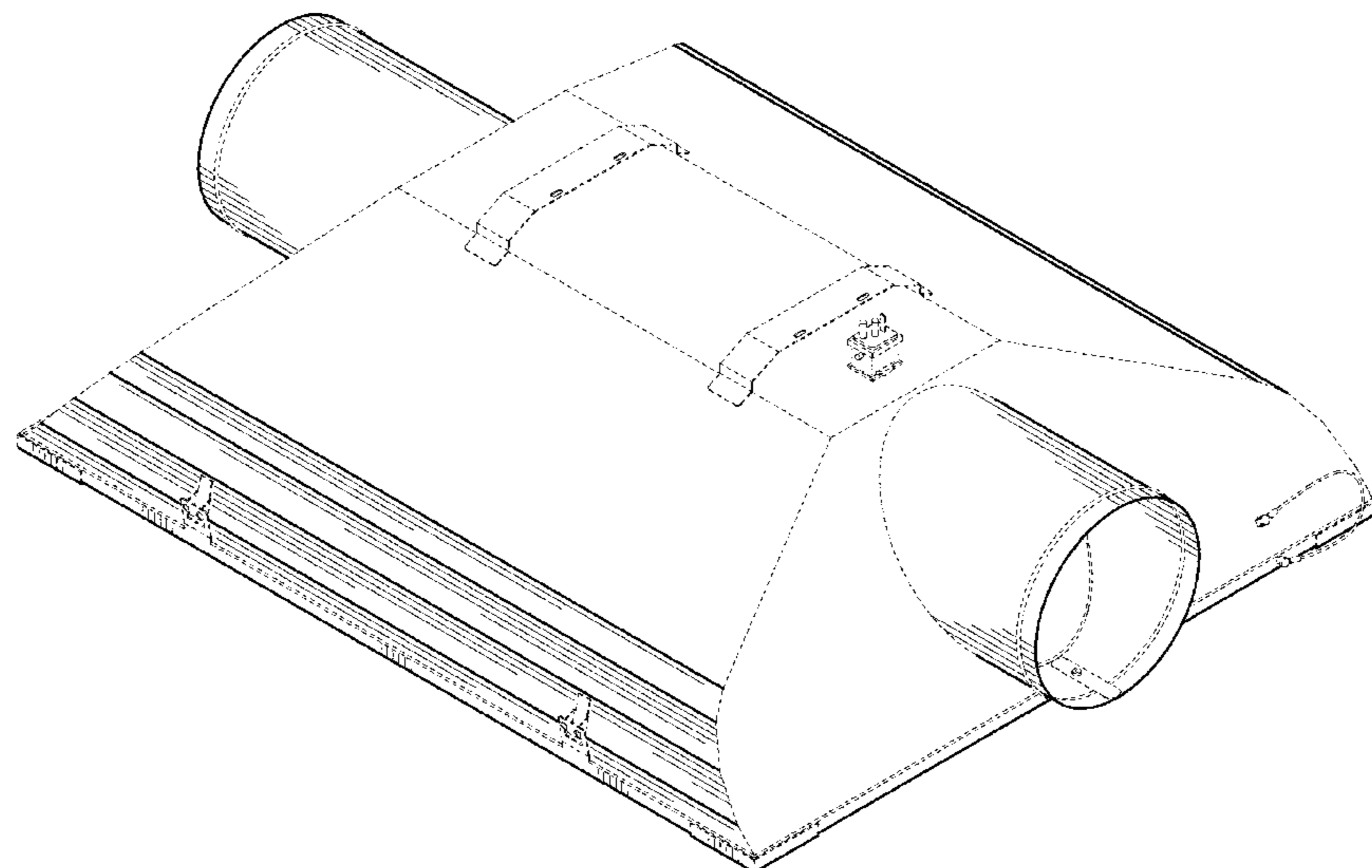
**Related U.S. Application Data**

- (63) Continuation of application No. 29/451,028, filed on Mar. 27, 2013, now Pat. No. Des. 698,986.
- (51) **LOC (10) CL.** ..... **26-99**
- (52) **U.S. CL.**  
USPC ..... **D26/118**
- (58) **Field of Classification Search**  
USPC ..... D26/9, 10, 12, 13, 15, 16, 51, 61, 72, D26/76, 80, 81, 85, 86, 88, 90, 113, 118, D26/119, 120, 122, 128, 129, 138, 143, 144  
See application file for complete search history.

(56) **References Cited**

**U.S. PATENT DOCUMENTS**

D123,768 S	12/1940	Scribner	
3,272,978 A	9/1966	Jackson	
4,531,180 A	7/1985	Hernandez	
4,933,821 A	6/1990	Anderson	
D311,597 S	10/1990	Poot	
6,152,579 A	11/2000	Reed et al.	
D456,938 S *	5/2002	Wardenburg	..... D26/118
D459,825 S	7/2002	Field	
D469,564 S	1/2003	Brok	
6,527,422 B1 *	3/2003	Hutchison	..... 362/373



(56)

**References Cited**

U.S. PATENT DOCUMENTS

D543,654 S 5/2007 Hargreaves  
 D544,139 S 6/2007 Hargreaves  
 D544,626 S 6/2007 Hargreaves  
 D544,983 S 6/2007 Hargreaves  
 D544,984 S 6/2007 Hargreaves  
 D544,985 S 6/2007 Hargreaves  
 D544,987 S \* 6/2007 Hargreaves ..... D26/88  
 D544,994 S \* 6/2007 Hargreaves ..... D26/118  
 D544,995 S \* 6/2007 Hargreaves ..... D26/118  
 D545,484 S \* 6/2007 Hargreaves ..... D26/118  
 D545,485 S \* 6/2007 Hargreaves ..... D26/118  
 D545,994 S 7/2007 Hargreaves  
 7,524,090 B2 \* 4/2009 Hargreaves ..... 362/294  
 D603,087 S 10/2009 Mo et al.  
 7,641,367 B2 \* 1/2010 Hargreaves et al. .... 362/375  
 D614,801 S 4/2010 Collins et al.

7,722,228 B2 \* 5/2010 Broer ..... 362/373  
 D634,060 S \* 3/2011 Wardenburg ..... D26/118  
 D634,468 S \* 3/2011 Hargreaves ..... D26/118  
 D634,469 S \* 3/2011 Hargreaves ..... D26/118  
 D637,341 S \* 5/2011 Wardenburg ..... D26/118  
 D637,752 S \* 5/2011 Mekhtarian ..... D26/72  
 7,972,044 B2 7/2011 Burkhauser  
 8,209,912 B2 \* 7/2012 Hargreaves et al. .... 52/28  
 D675,369 S 1/2013 Michaud  
 D678,599 S \* 3/2013 Boyer et al. .... D26/128  
 D683,064 S 5/2013 Tuck  
 D693,959 S \* 11/2013 Boyer et al. .... D26/118  
 D698,986 S \* 2/2014 Reynolds ..... D26/118  
 D698,987 S \* 2/2014 Stanley ..... D26/118  
 2008/0205030 A1 \* 8/2008 Hargreaves ..... 362/1  
 2008/0205071 A1 \* 8/2008 Townsley ..... 362/373  
 2008/0278950 A1 11/2008 Pickard et al.  
 2009/0262540 A1 \* 10/2009 Hargreaves et al. .... 362/362

\* cited by examiner

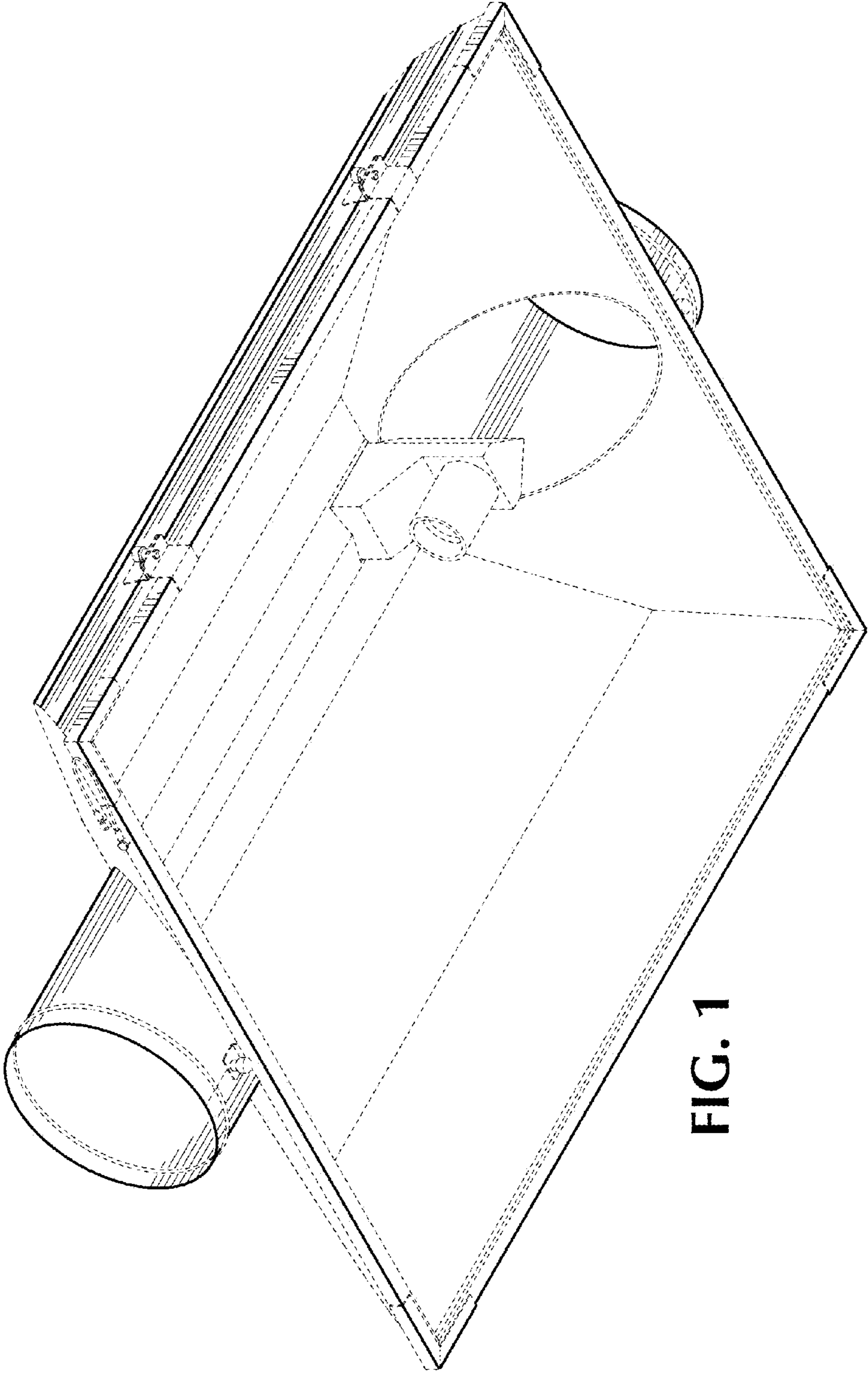


FIG. 1

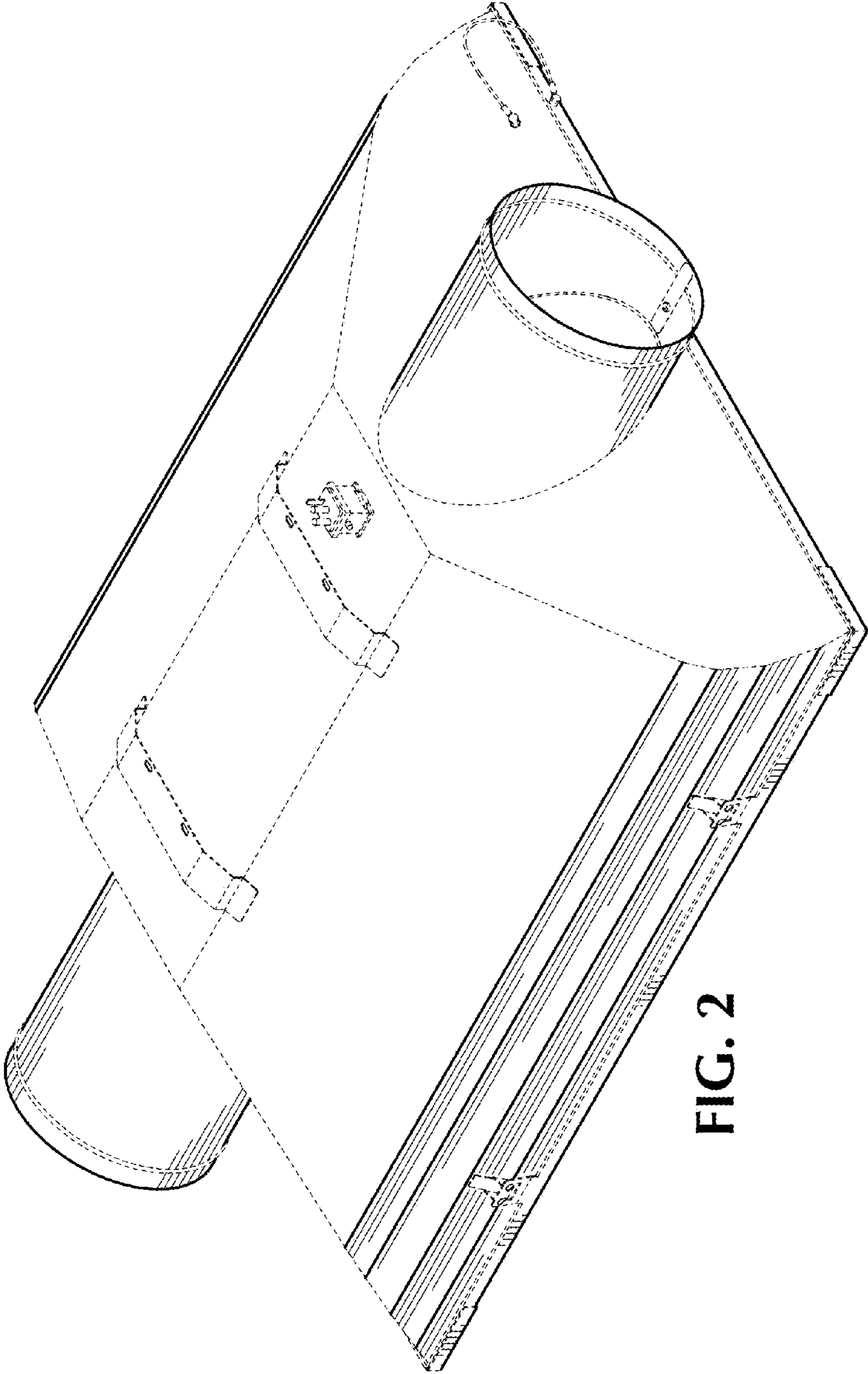


FIG. 2

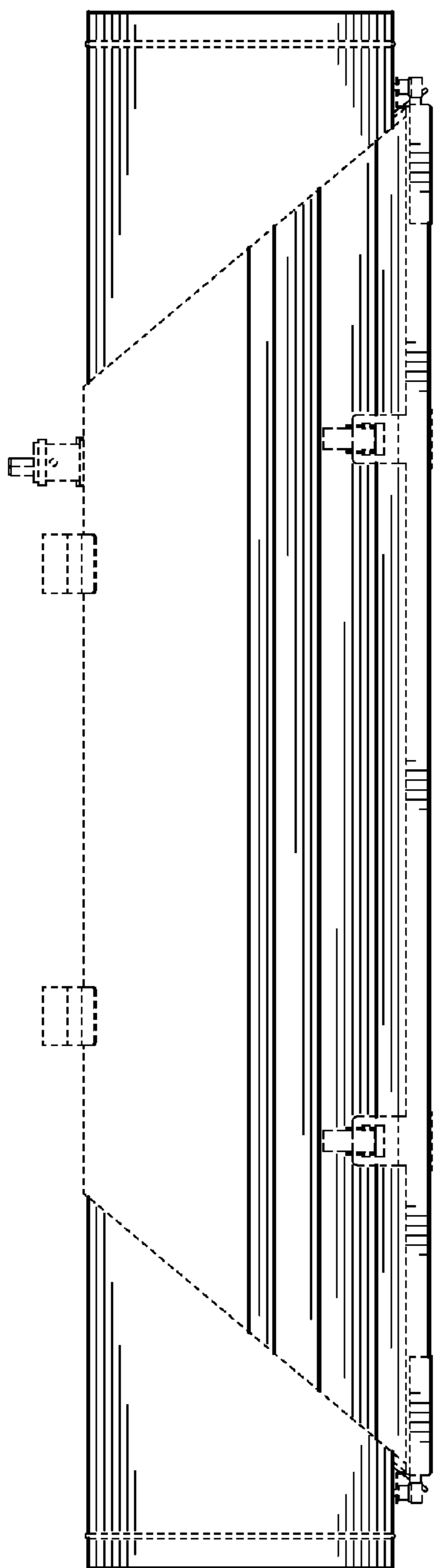


FIG. 3

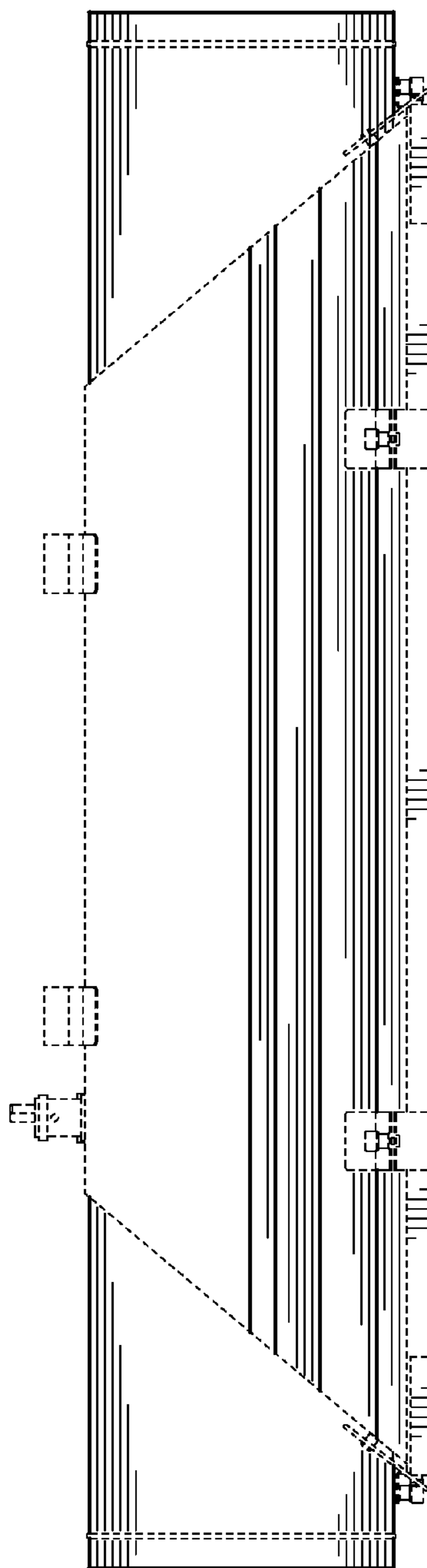


FIG. 4

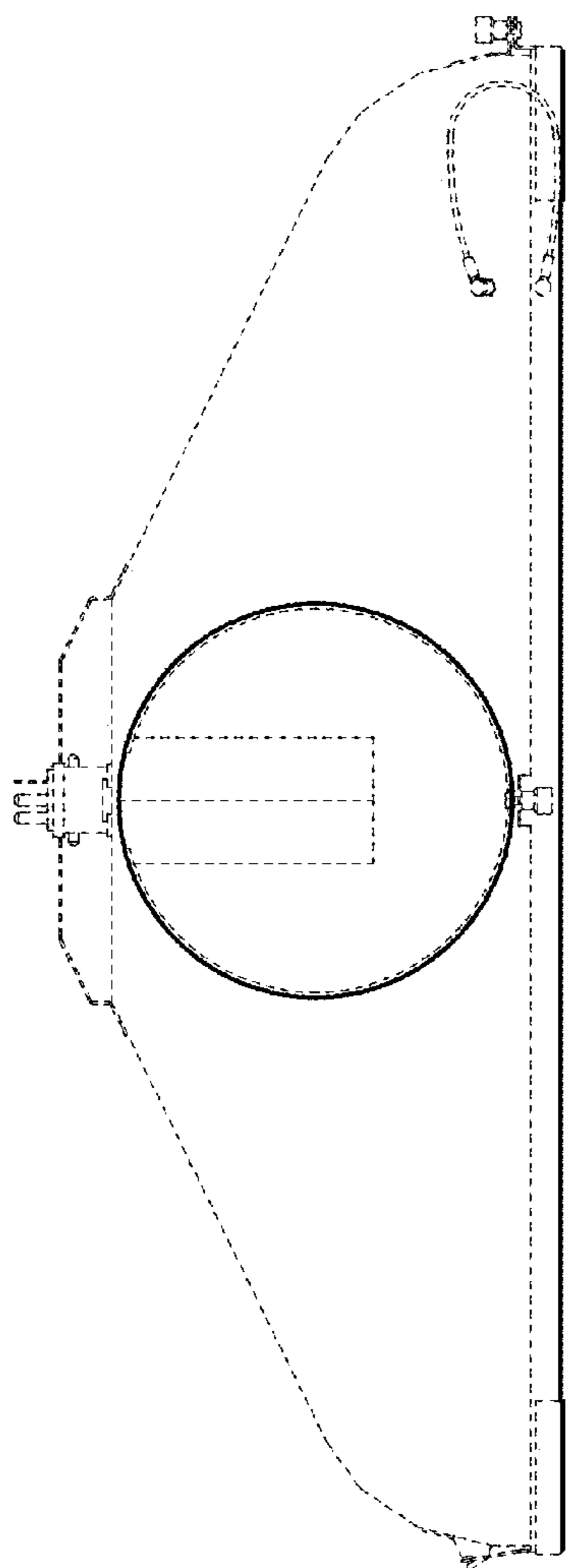


FIG. 5

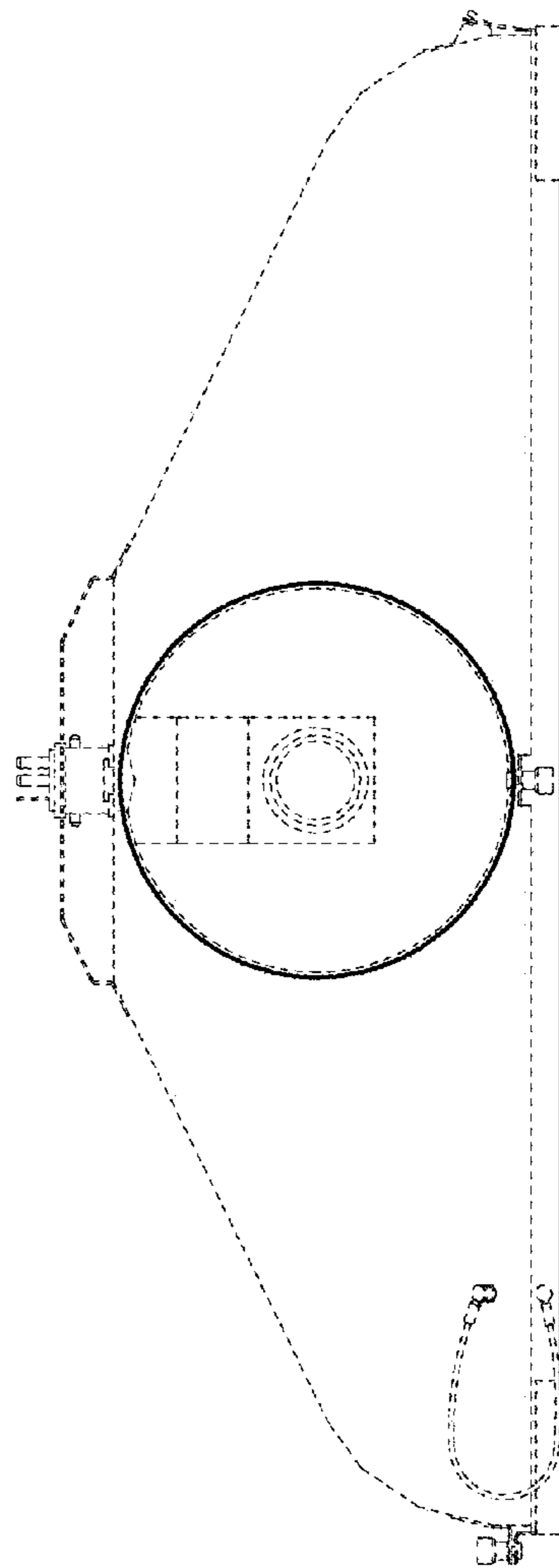


FIG. 6

FIG. 7

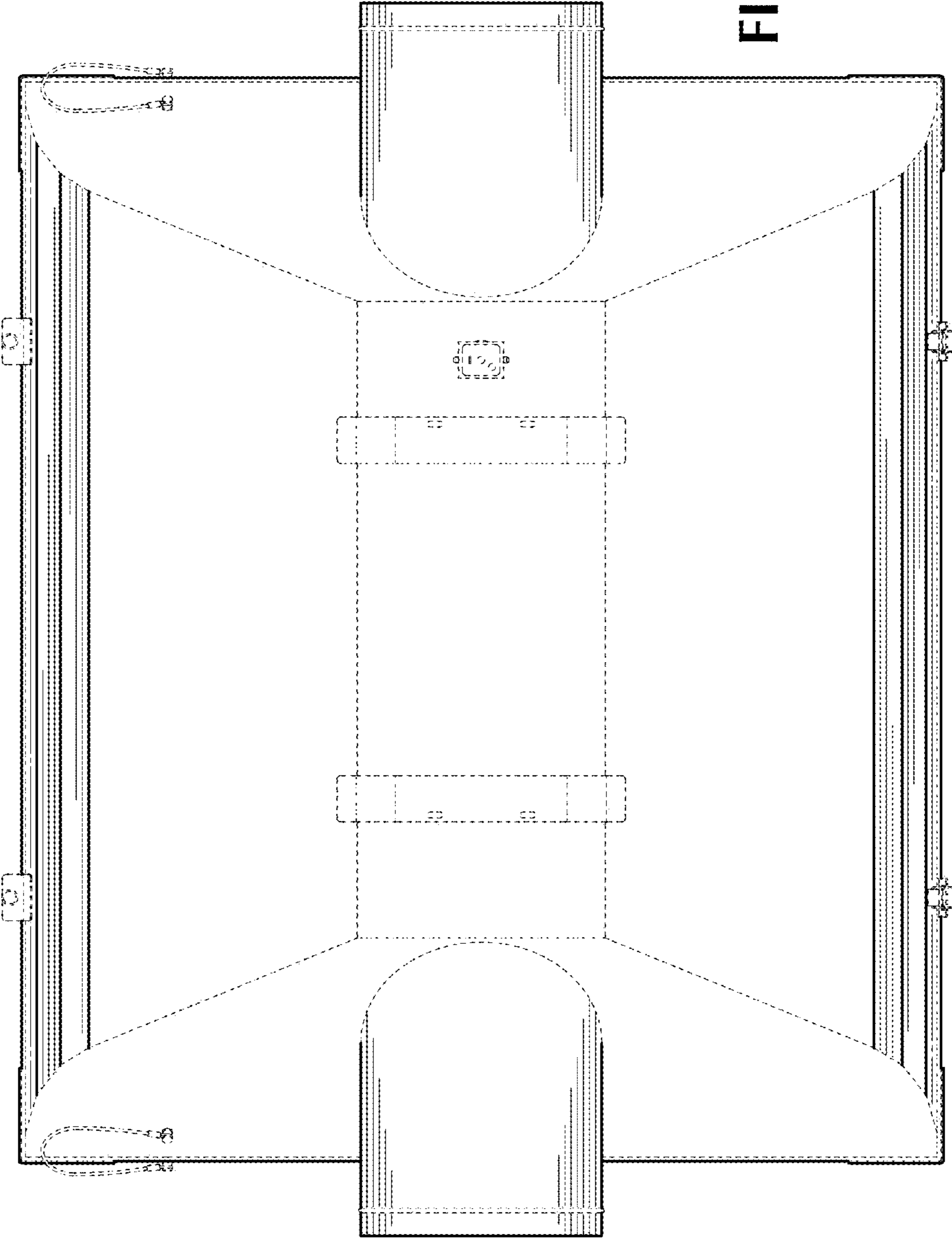


FIG. 8

