

US00D736449S

(12) **United States Design Patent**  
**Getty**

(10) **Patent No.:** **US D736,449 S**

(45) **Date of Patent:** **\*\* Aug. 11, 2015**

(54) **LED MULTI-PURPOSE LIGHT**

D583,967 S \* 12/2008 Leunis ..... D26/24  
D647,227 S \* 10/2011 Kaule et al. .... D26/24  
D647,228 S \* 10/2011 Feigenbaum ..... D26/24

(71) Applicant: **Hans Getty**, Marina del Ray, CA (US)

\* cited by examiner

(72) Inventor: **Hans Getty**, Marina del Ray, CA (US)

*Primary Examiner* — Brian N Vinson

(\*\*) Term: **14 Years**

(74) *Attorney, Agent, or Firm* — QuickPatents; Kevin Prince

(21) Appl. No.: **29/469,131**

(22) Filed: **Oct. 7, 2013**

(51) **LOC (10) Cl.** ..... **26-03**

(52) **U.S. Cl.**  
USPC ..... **D26/110; D26/24**

(58) **Field of Classification Search**  
USPC ..... D26/24, 27, 37, 93, 94, 96, 104, 106,  
D26/110, 112  
CPC ..... F21S 6/00; F21S 6/002; F21S 6/004;  
F21S 10/00; F21W 2121/00; F21W 2131/10;  
F21W 2131/30; F21W 2121/308; F21V 21/02;  
F21V 21/08; F21V 2200/00  
See application file for complete search history.

(57) **CLAIM**

I claim the ornamental design for an LED multi-purpose light, as shown and described.

**DESCRIPTION**

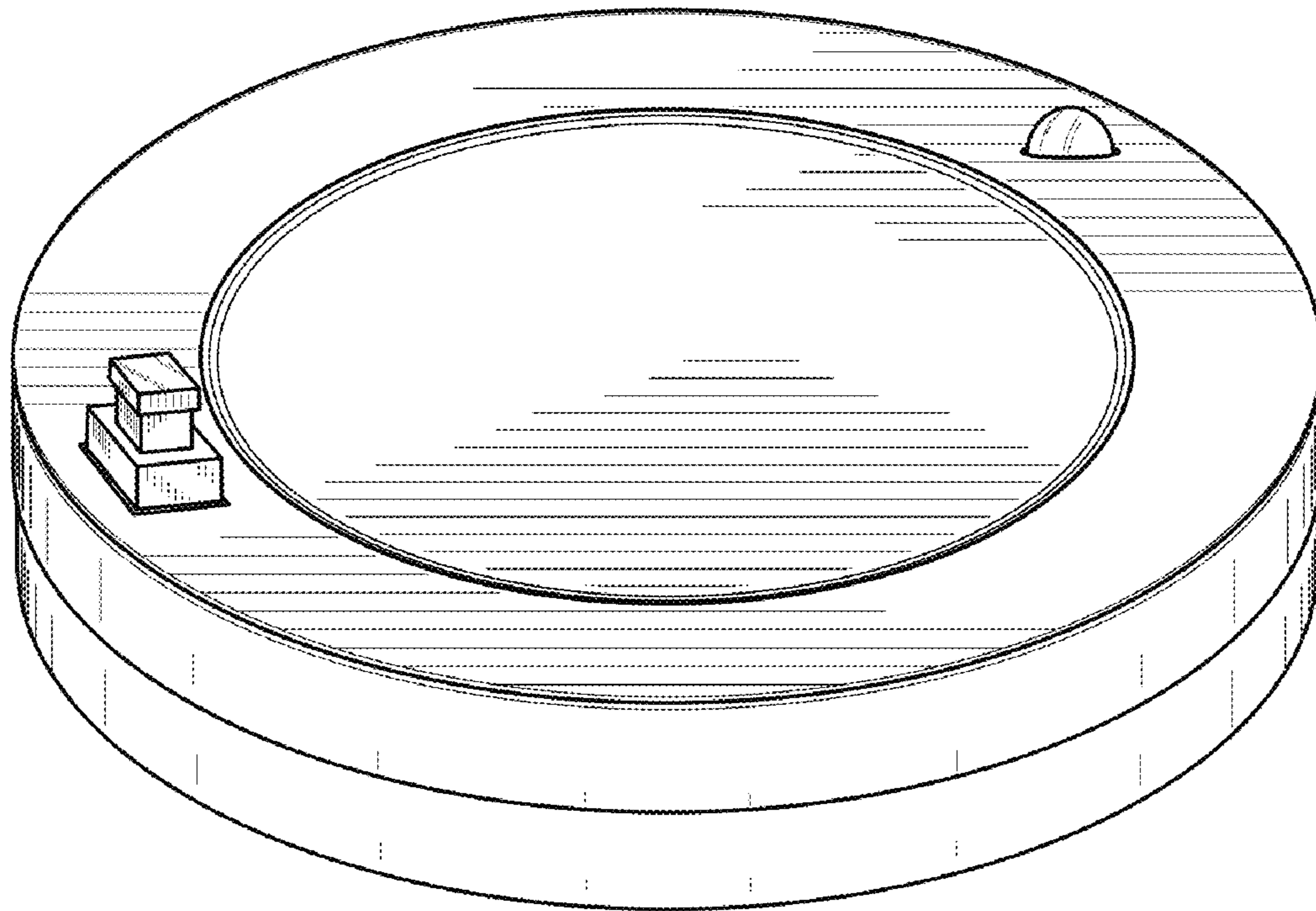
FIG. 1 is a top perspective view of an LED multi-purpose light, showing my new design;  
FIG. 2 is a front elevational view thereof, the rear elevational view being a mirror image thereof;  
FIG. 3 is a left-side elevational view thereof;  
FIG. 4 is a right-side elevational view thereof;  
FIG. 5 is a top plan view thereof;  
FIG. 6 is a bottom plan view thereof; and,  
FIG. 7 is a bottom perspective view thereof.  
The broken lines showing an adhesive foam tap in FIG. 7 depict environmental matter and form no part of the claimed design.

(56) **References Cited**

**U.S. PATENT DOCUMENTS**

D384,181 S \* 9/1997 Borden ..... D26/110  
D535,740 S \* 1/2007 Brown et al. .... D26/24

**1 Claim, 3 Drawing Sheets**



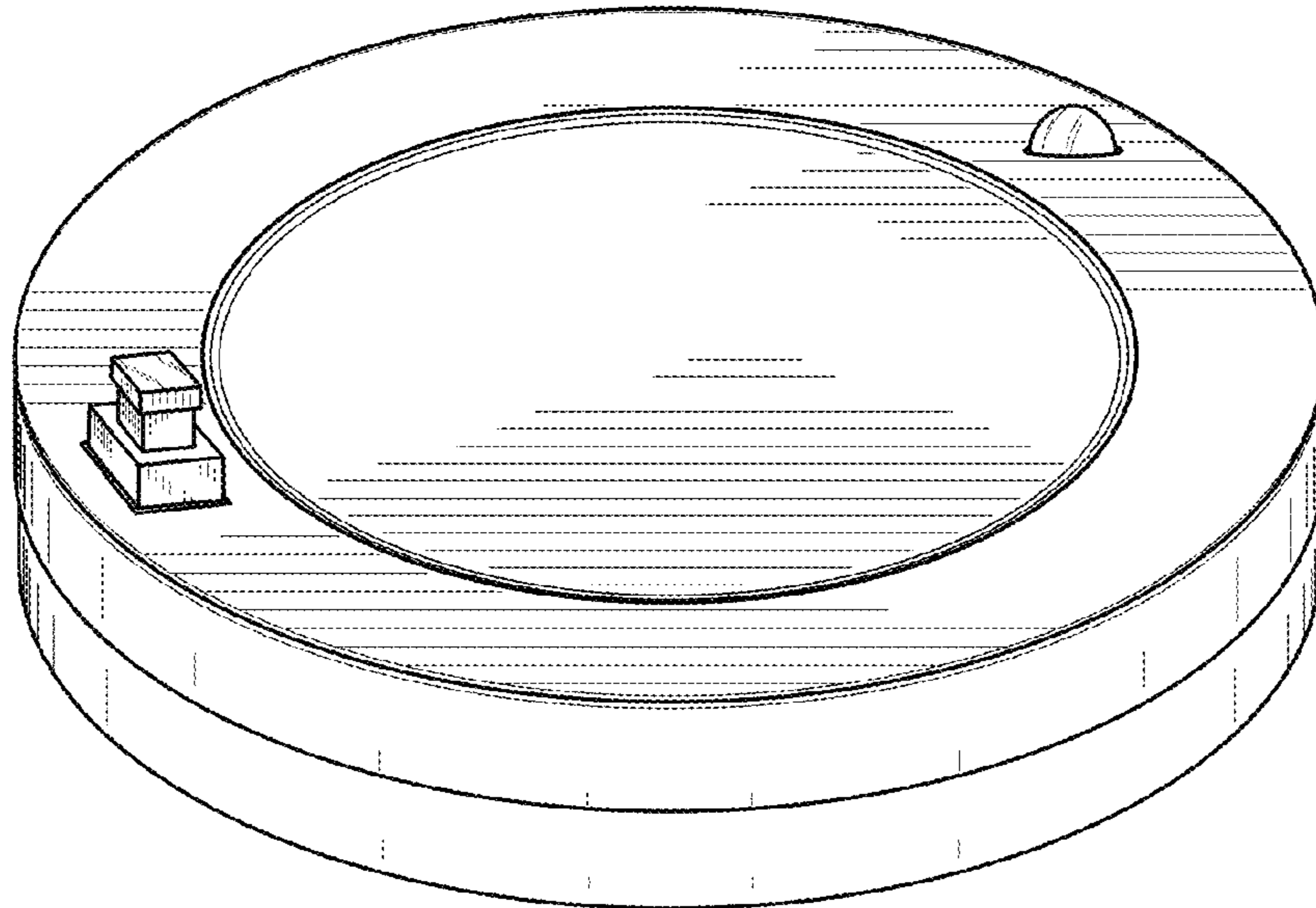


FIG. 1

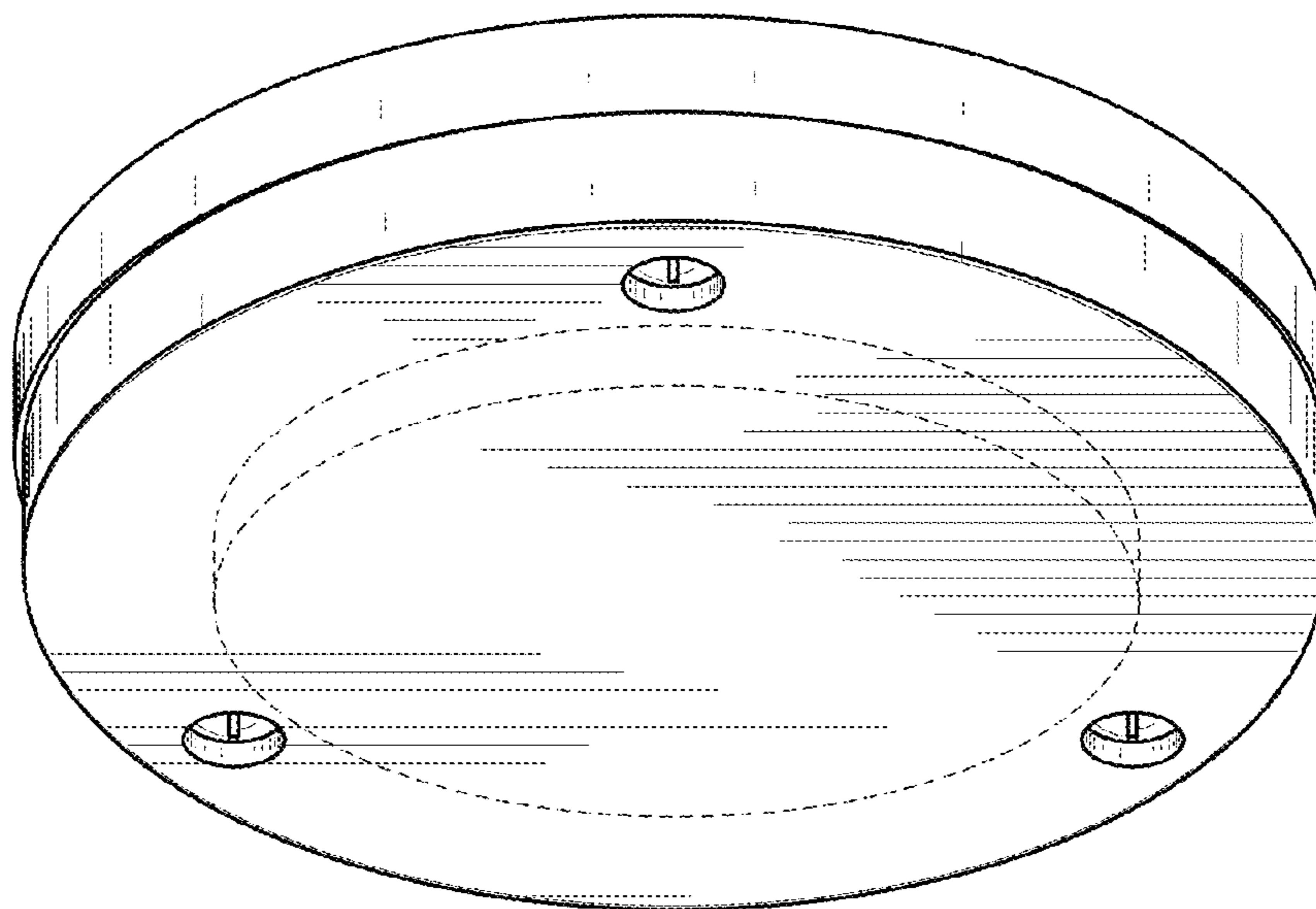


FIG. 7



FIG. 2

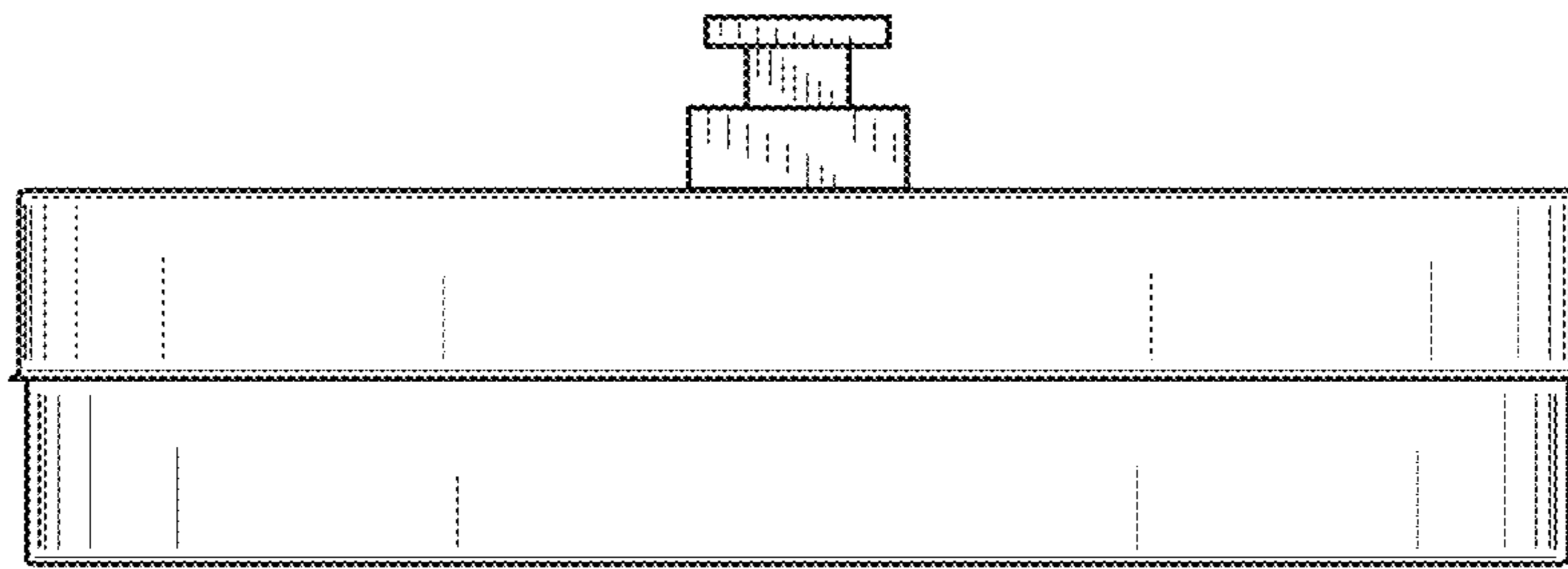


FIG. 3

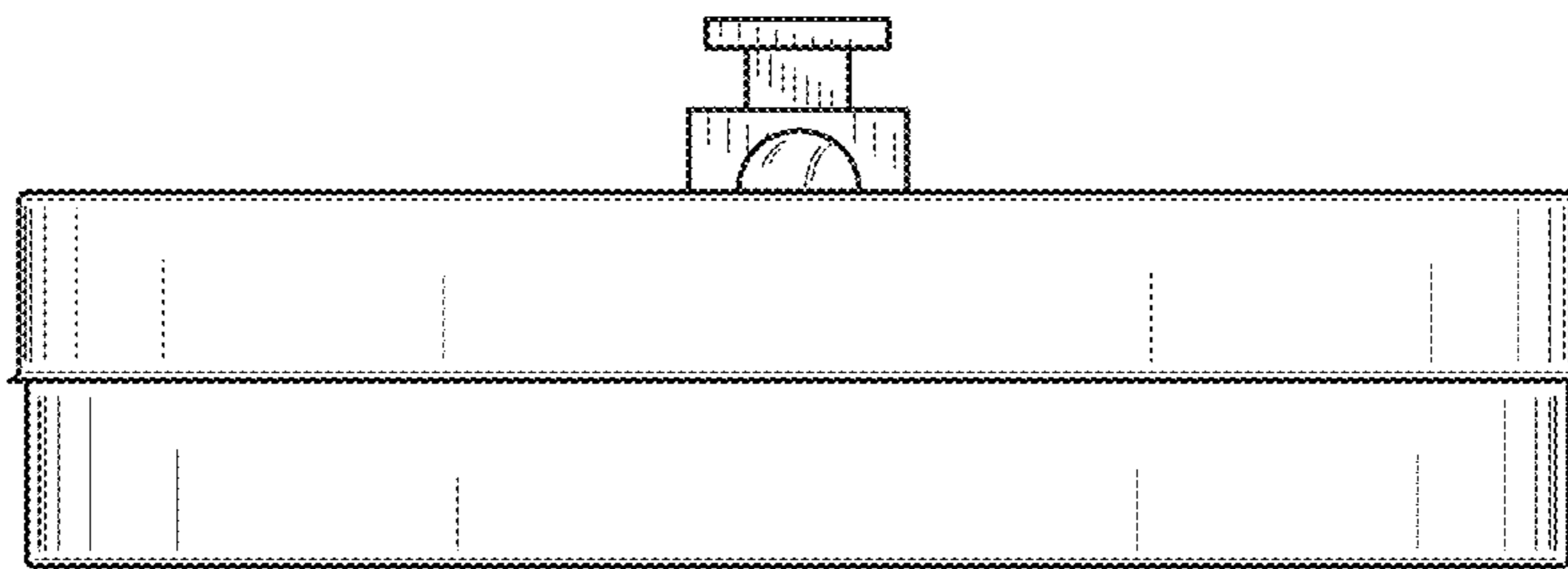


FIG. 4

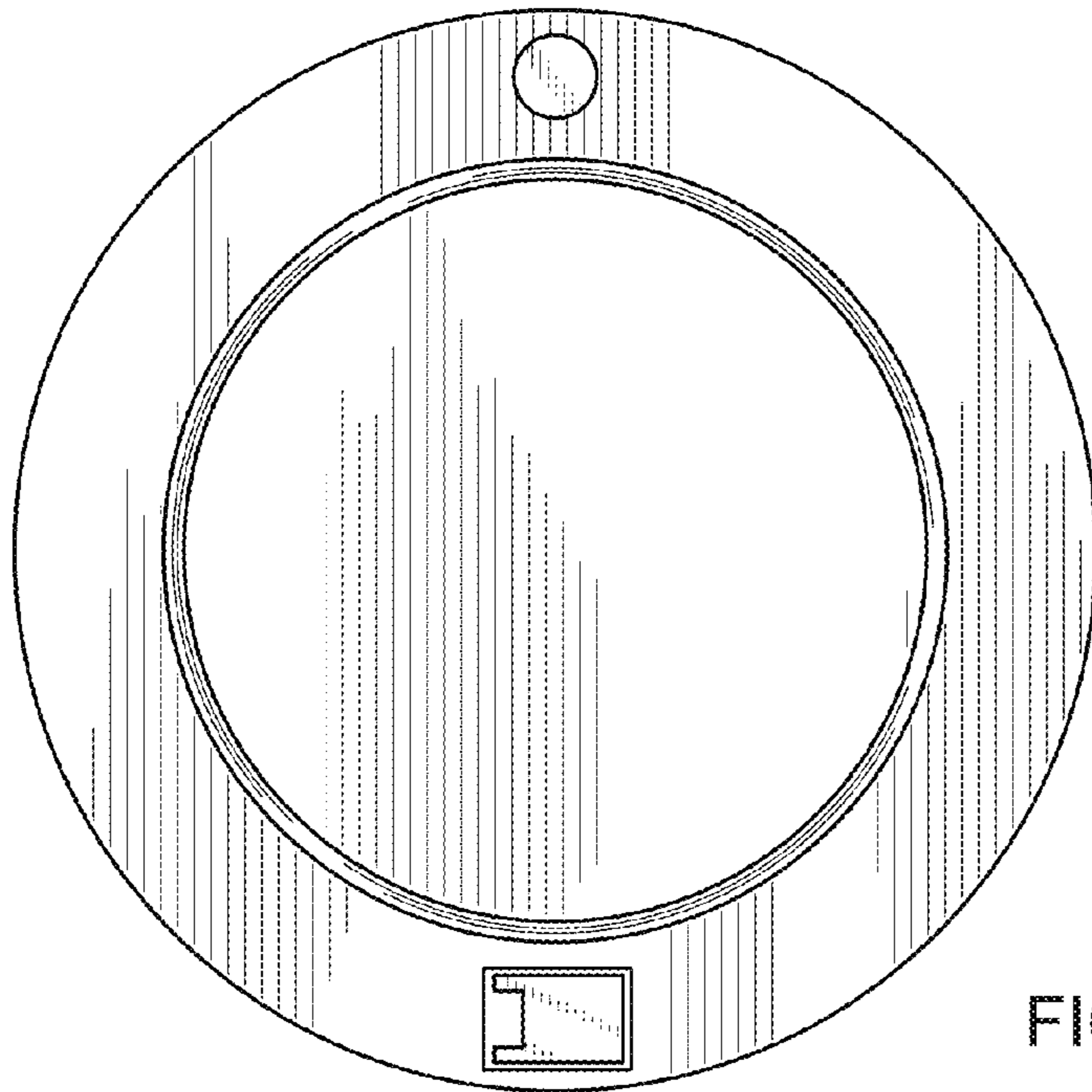


FIG. 5

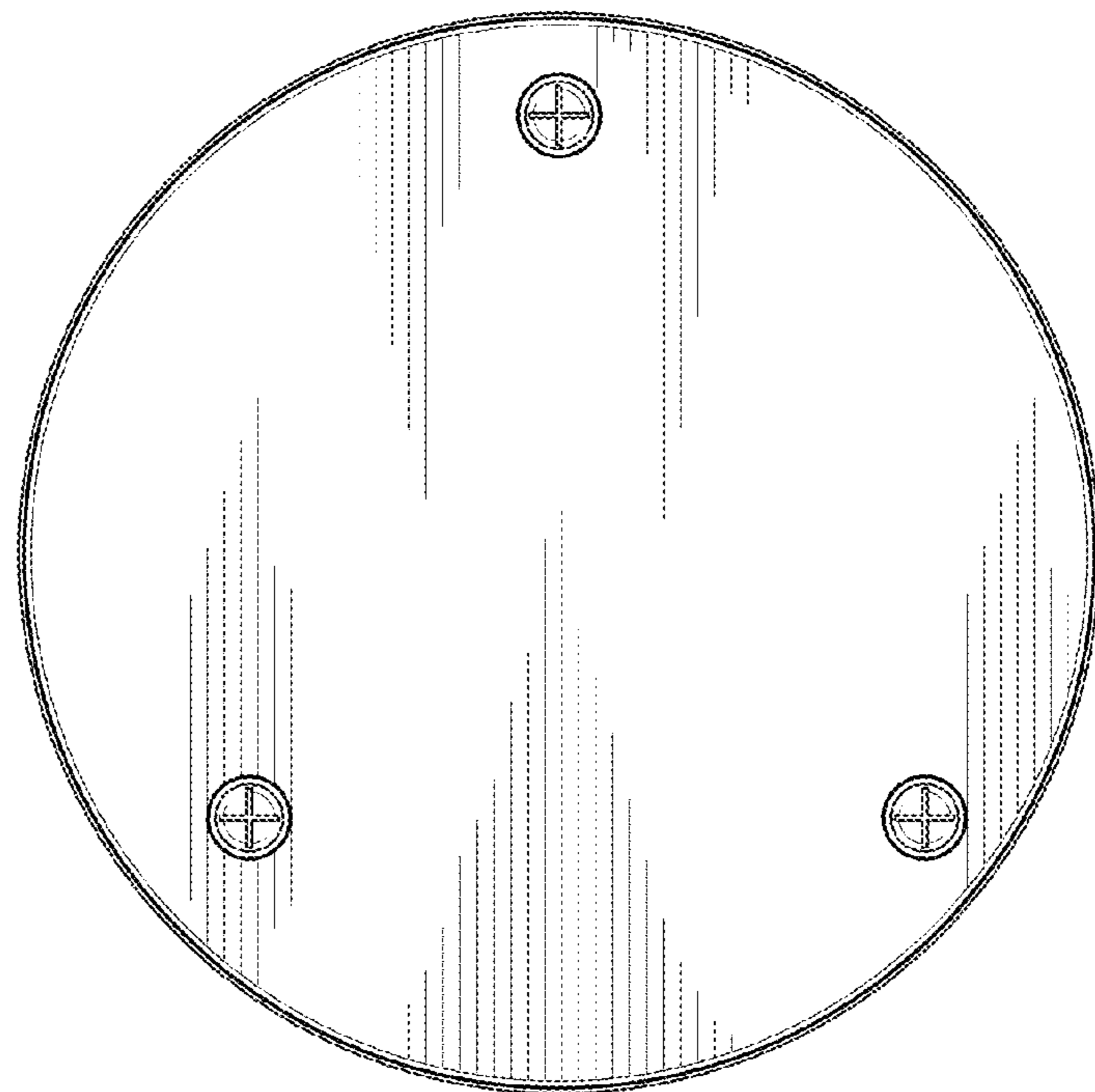


FIG. 6