



US00D736448S

(12) **United States Design Patent**
Cohen

(10) **Patent No.:** **US D736,448 S**

(45) **Date of Patent:** **** Aug. 11, 2015**

(54) **SELF-CONTAINED SOLAR-POWERED LED
TEALIGHT MODULE**

(71) Applicant: **RSR Sales, Inc.**, Ann Arbor, MI (US)

(72) Inventor: **Richard Cohen**, Ann Arbor, MI (US)

(73) Assignee: **RSR Sales, Inc.**

(**) Term: **14 Years**

(21) Appl. No.: **29/453,749**

(22) Filed: **May 2, 2013**

(51) **LOC (10) Cl.** **26-03**

(52) **U.S. Cl.**
USPC **D26/110; D26/24**

(58) **Field of Classification Search**
USPC D26/24, 27, 37, 93, 94, 96, 104, 106,
D26/110, 112
CPC F21S 6/00; F21S 6/002; F21S 6/004;
F21S 10/00; F21W 2121/00; F21W 2131/10;
F21W 2131/30; F21W 2121/308; F21V 21/02;
F21V 21/08; F21V 2200/00

See application file for complete search history.

(56) **References Cited**

U.S. PATENT DOCUMENTS

D384,181 S *	9/1997	Borden	D26/110
D535,740 S *	1/2007	Brown et al.	D26/24
D583,967 S *	12/2008	Leunis	D26/24
D647,227 S *	10/2011	Kaule et al.	D26/24
D647,228 S *	10/2011	Feigenbaum	D26/24

* cited by examiner

Primary Examiner — Brian N Vinson

(74) *Attorney, Agent, or Firm* — Gifford, Krass, Sprinkle,
Anderson & Citkowski, P.C.

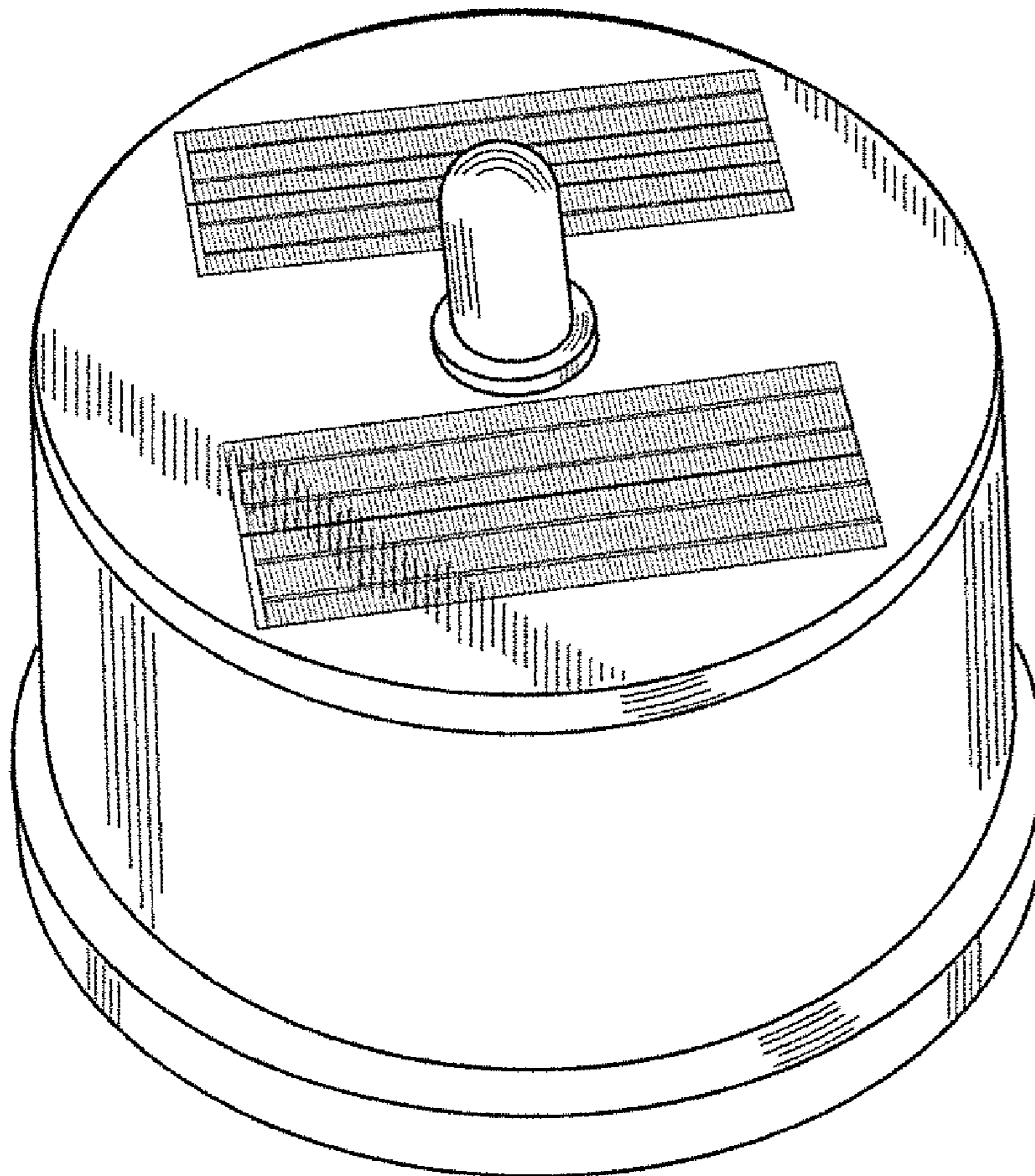
(57) **CLAIM**

The ornamental design for a self-contained solar-powered LED tealight module, as shown and described.

DESCRIPTION

FIG. 1 is an oblique view;
FIG. 2 is side view;
FIG. 3 is top view; and,
FIG. 4 is bottom view.

1 Claim, 1 Drawing Sheet



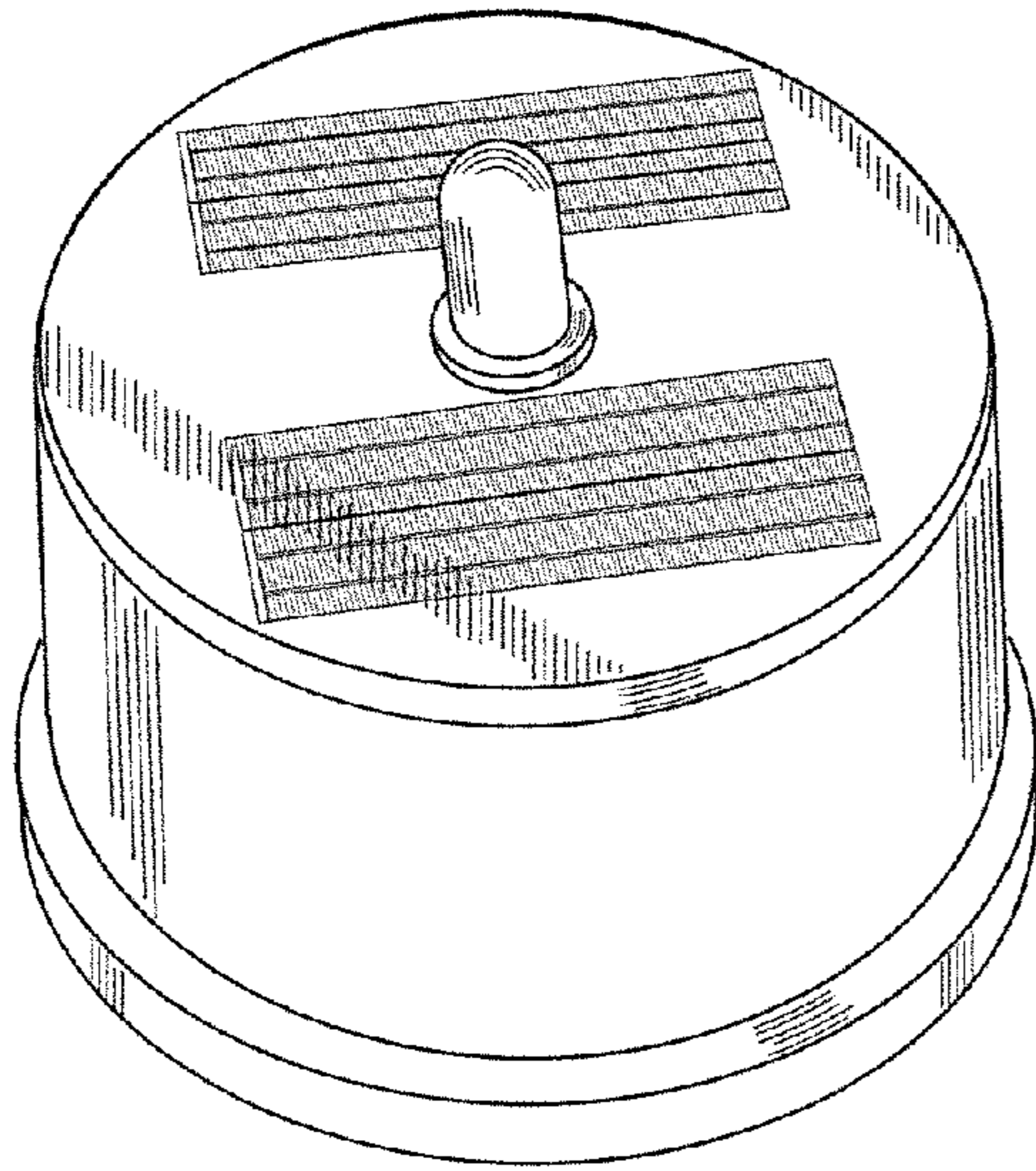


Fig - 1

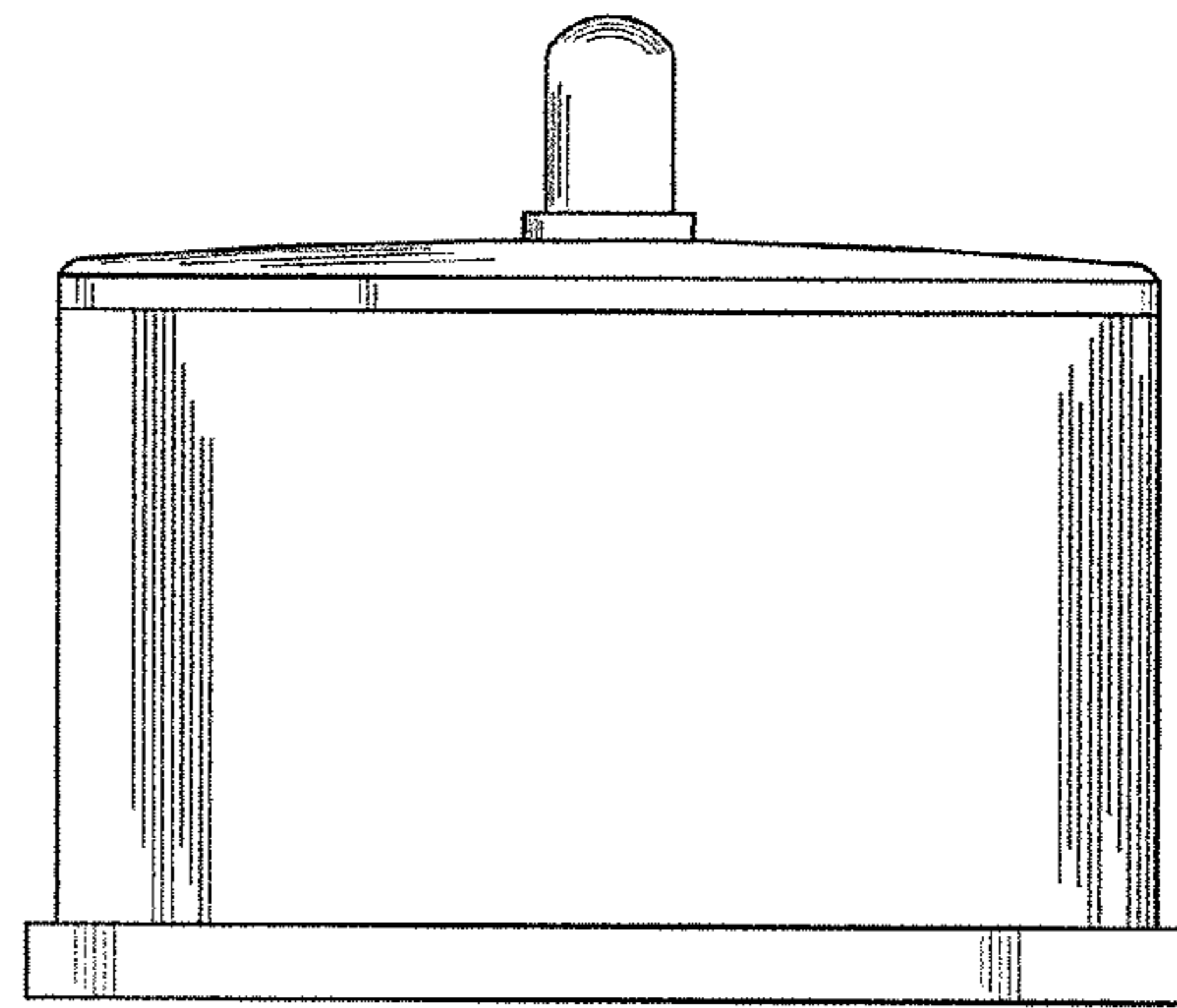


Fig - 2

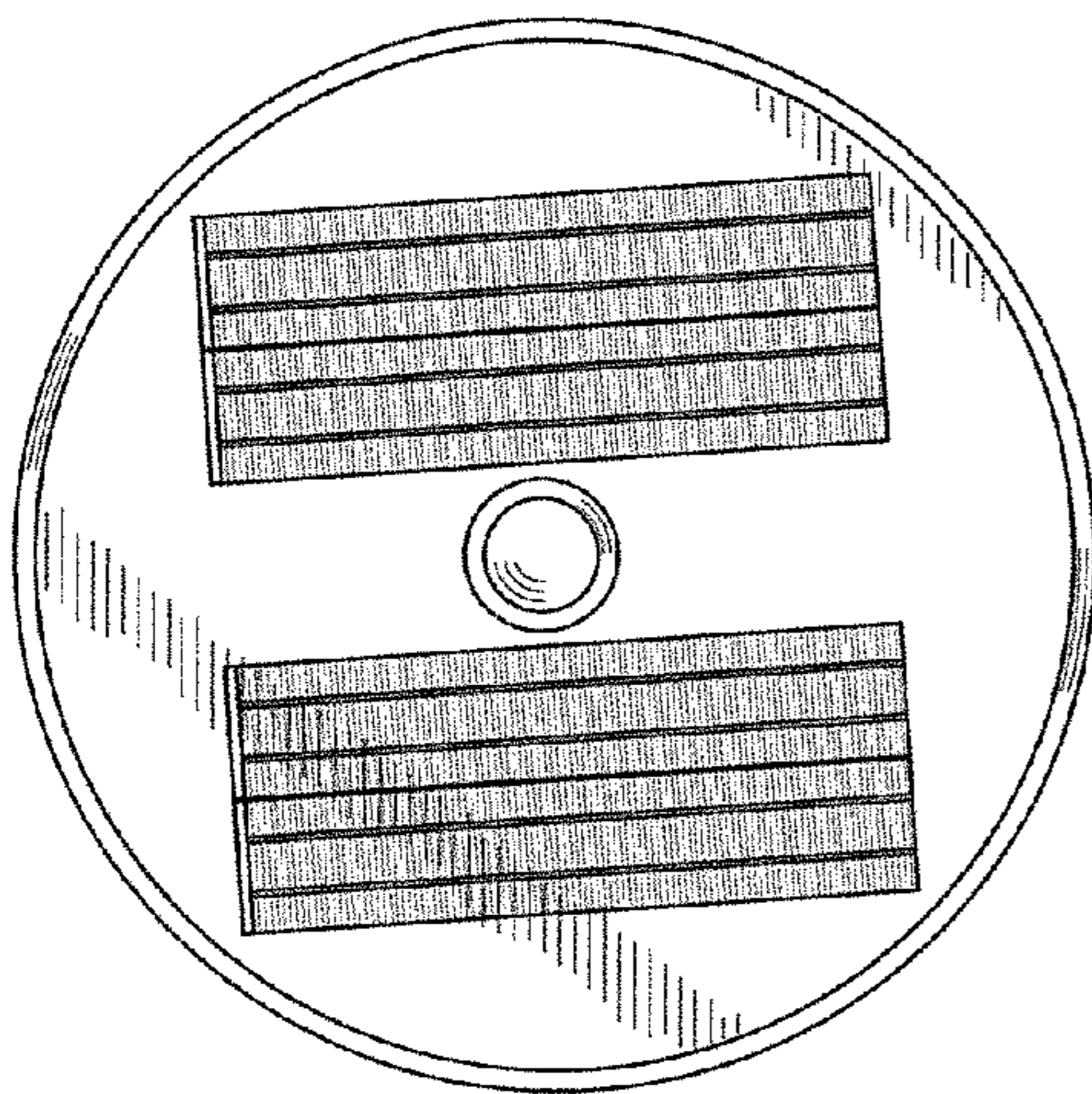


Fig - 3

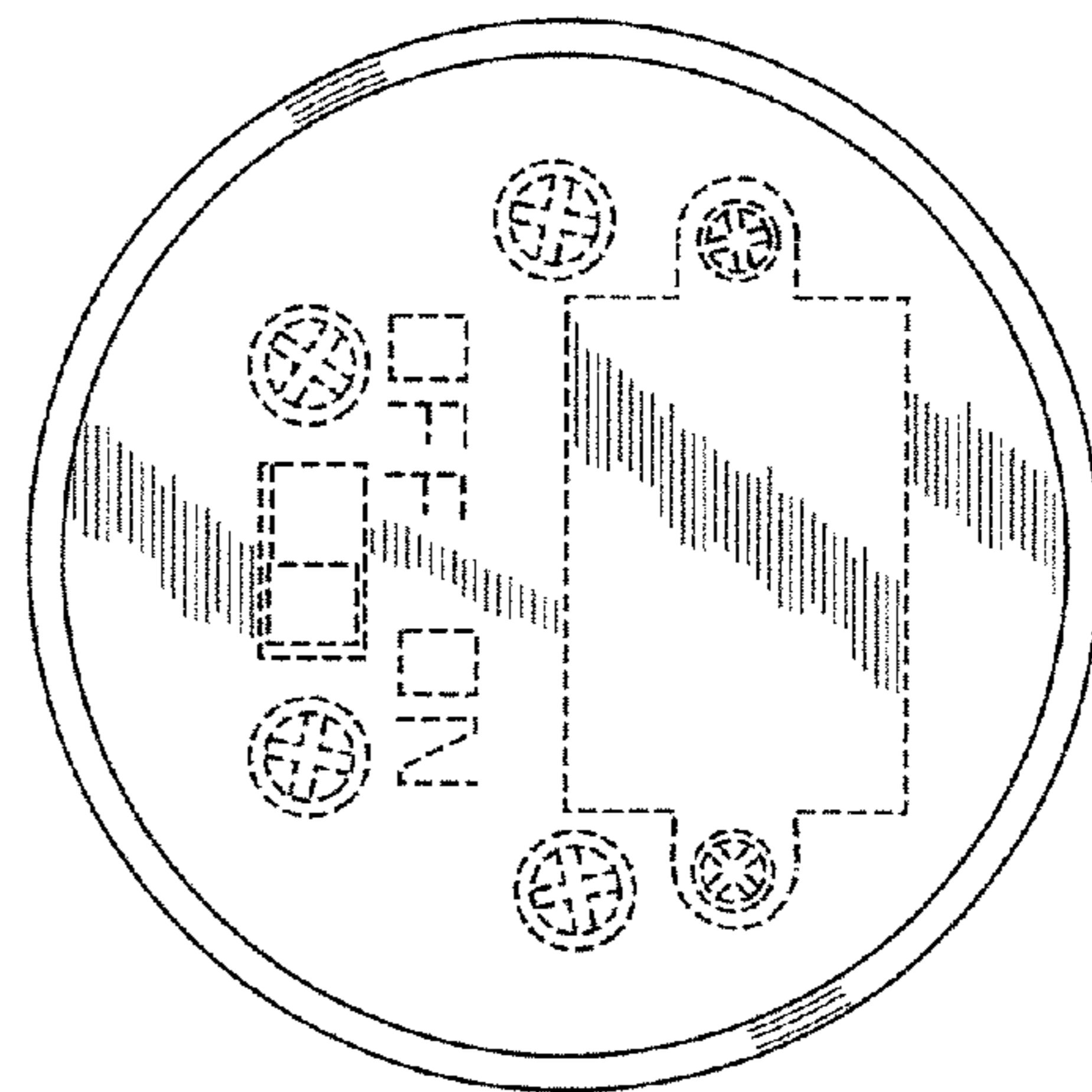


Fig - 4