



US00D736445S

(12) **United States Design Patent**
Jahnke

(10) **Patent No.:** **US D736,445 S**

(45) **Date of Patent:** **** Aug. 11, 2015**

(54) **LAMP, PARTICULARLY FOR A DESK OR TABLE**

(71) Applicant: **Jason Douglas Jahnke**, Pasco, WA (US)

(72) Inventor: **Jason Douglas Jahnke**, Pasco, WA (US)

(73) Assignee: **Jason D. Jahnke**, Newhall, CA (US)

(**) Term: **14 Years**

(21) Appl. No.: **29/442,802**

(22) Filed: **May 16, 2013**

(51) **LOC (10) Cl.** **26-03**

(52) **U.S. Cl.**
USPC **D26/93**

(58) **Field of Classification Search**
USPC D26/24, 93, 3
CPC F21S 6/00; F21S 6/002; F21S 6/004;
F21S 6/006; F21S 8/00; F21S 10/00; F21V
21/02; F21W 2131/30; F21Y 2105/00
See application file for complete search history.

(56) **References Cited**

U.S. PATENT DOCUMENTS

D239,314 S *	3/1976	Lieberman	D26/107
D295,330 S *	4/1988	Laroye	D26/104
D434,871 S *	12/2000	Kuen	D26/108
D645,603 S *	9/2011	Overy et al.	D26/93
D674,531 S *	1/2013	Yuen	D26/93
D685,126 S *	6/2013	Ogg et al.	D26/93
D690,874 S *	10/2013	Waldemeyer	D26/93
D693,050 S *	11/2013	Martin	D26/93

* cited by examiner

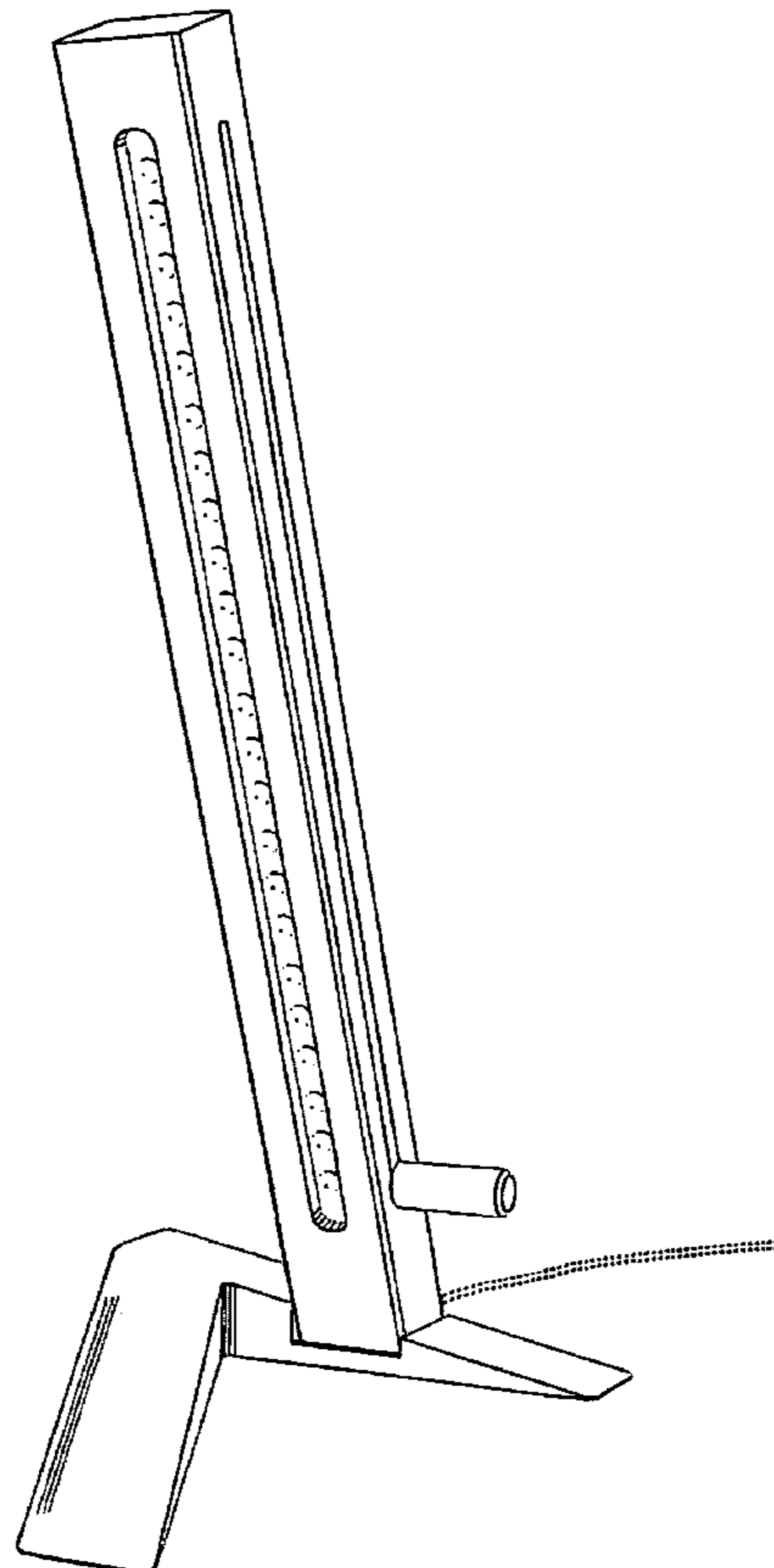
Primary Examiner — Brian N Vinson

(57) **CLAIM**
The ornamental design for a lamp, as shown and described.

DESCRIPTION

FIG. 1 is a front perspective view of a lamp showing my new design;
FIG. 2 is a left rear perspective view thereof;
FIG. 3 is a right rear perspective view thereof;
FIG. 4 is a top-down perspective view thereof; and,
FIG. 5 is a top plan view thereof.
The broken-line disclosure represents the cord portion of the lamp which forms no part of the claimed design.

1 Claim, 5 Drawing Sheets



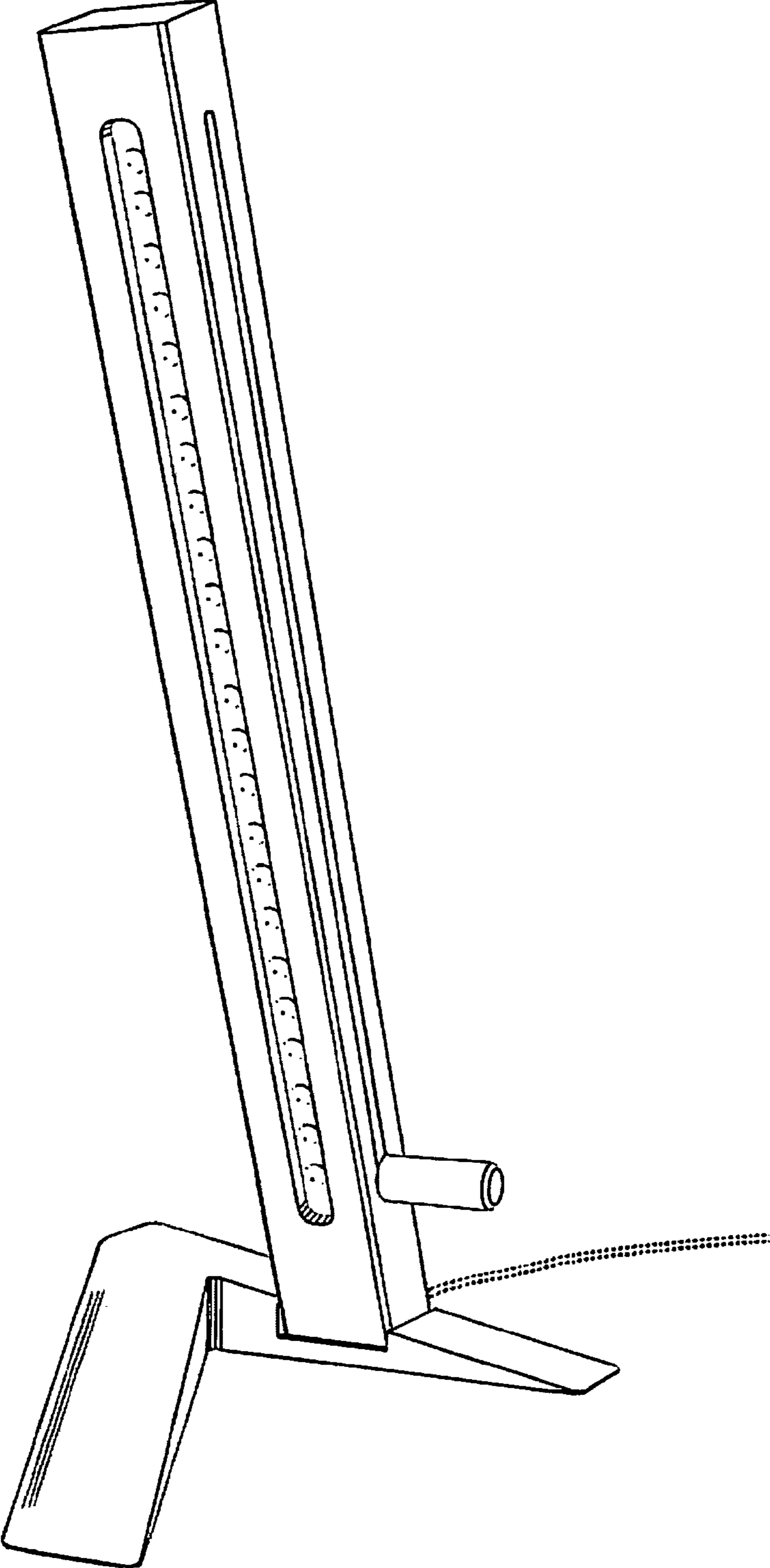


FIG. 1

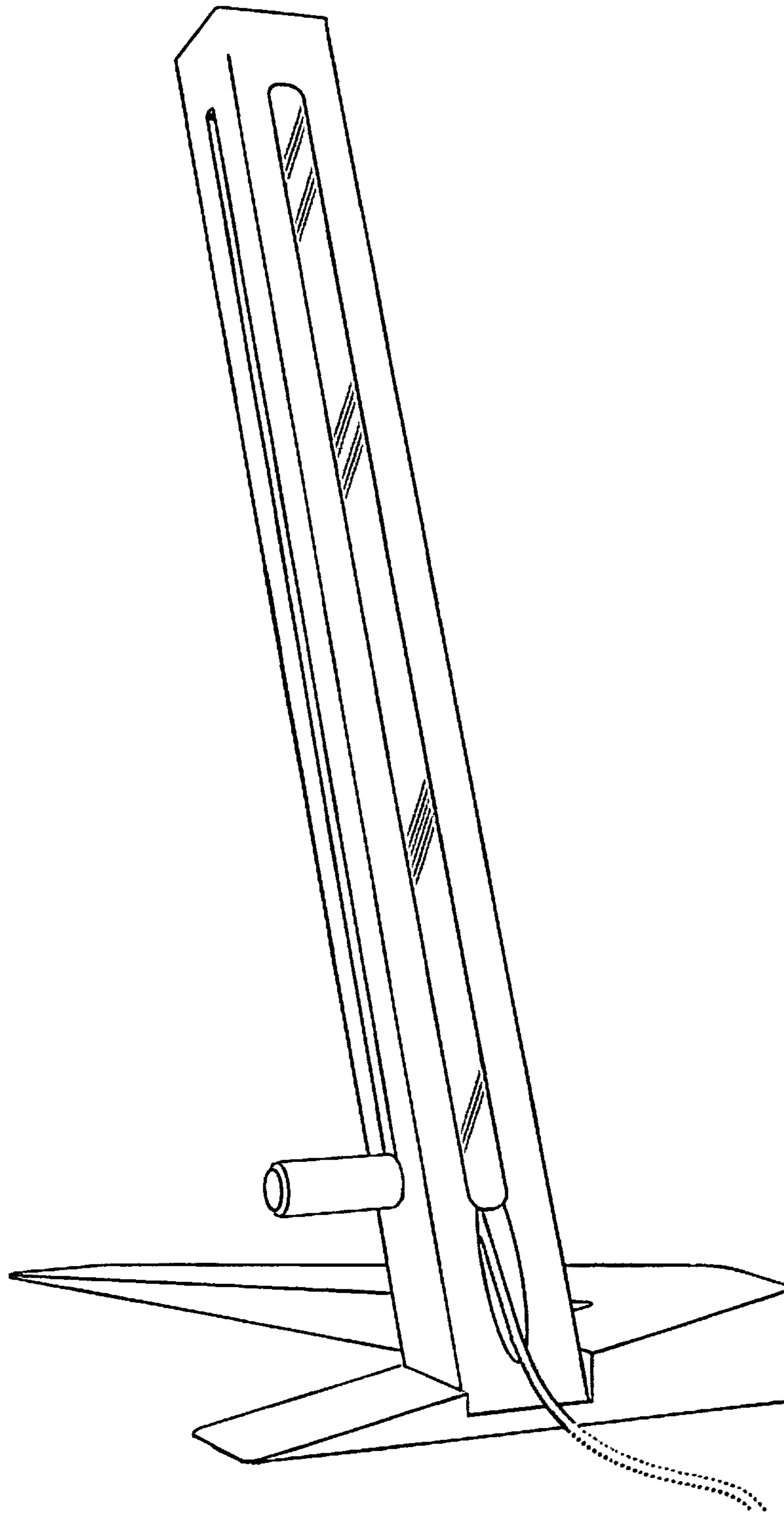


FIG. 2

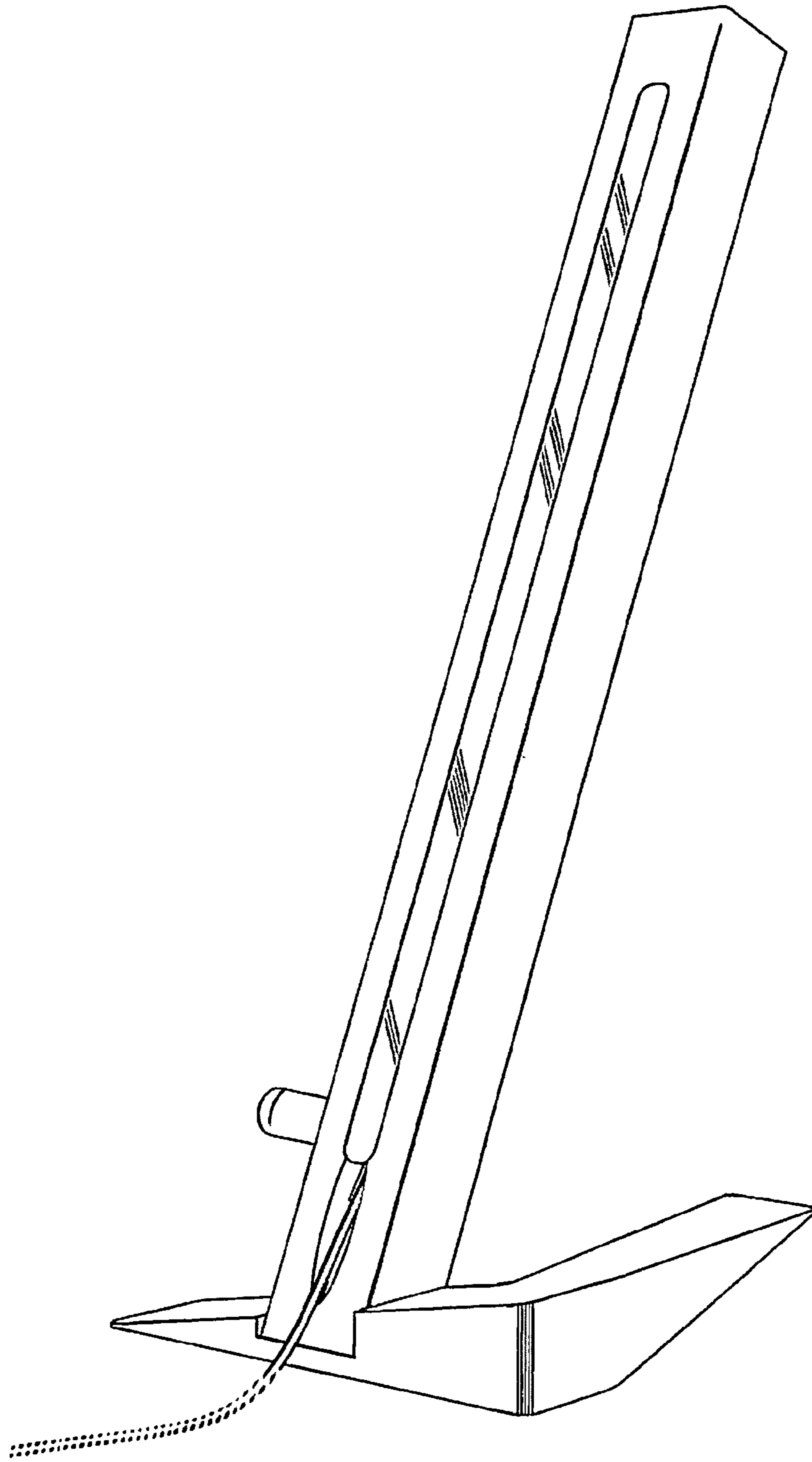


FIG. 3

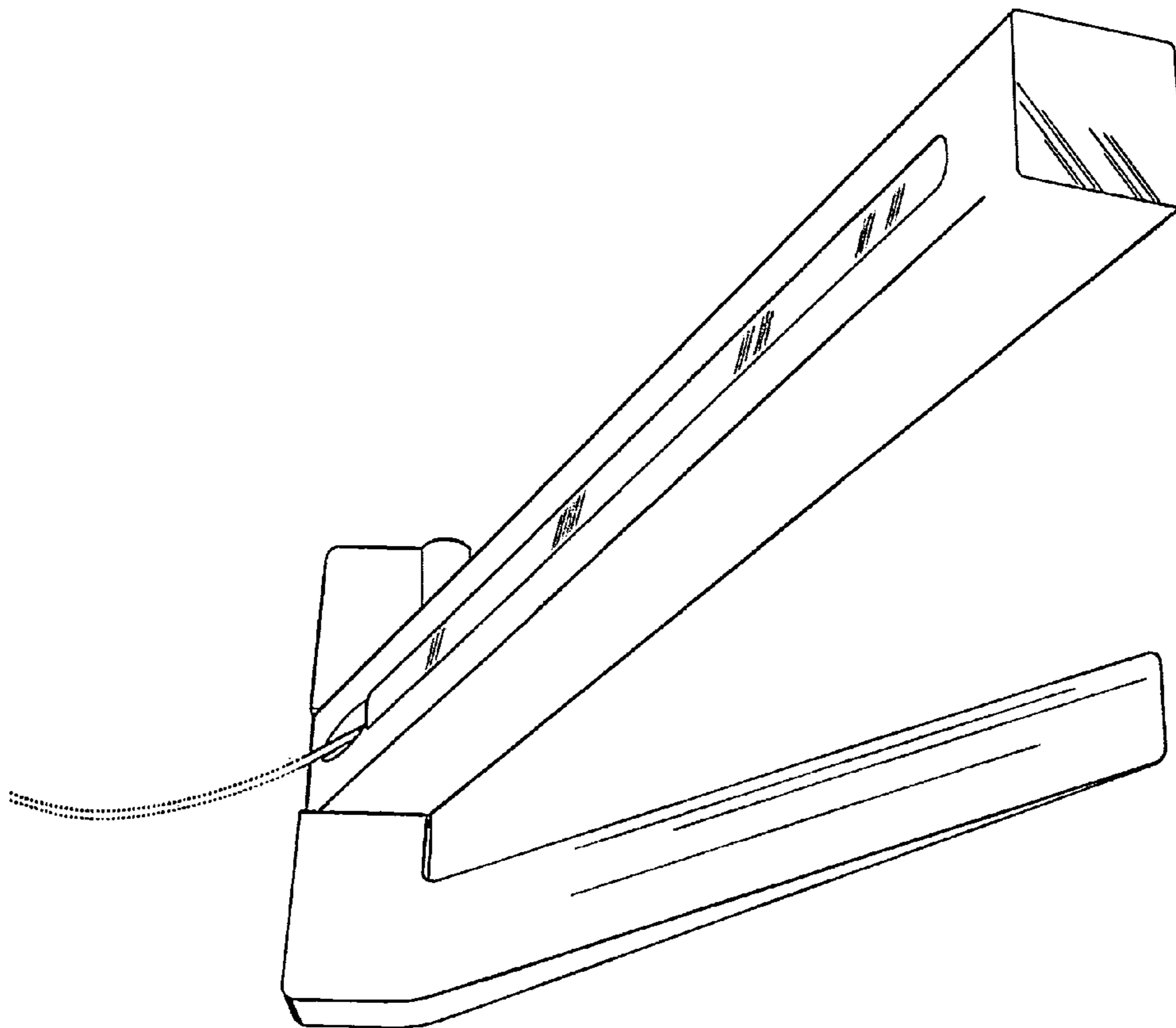


FIG. 4

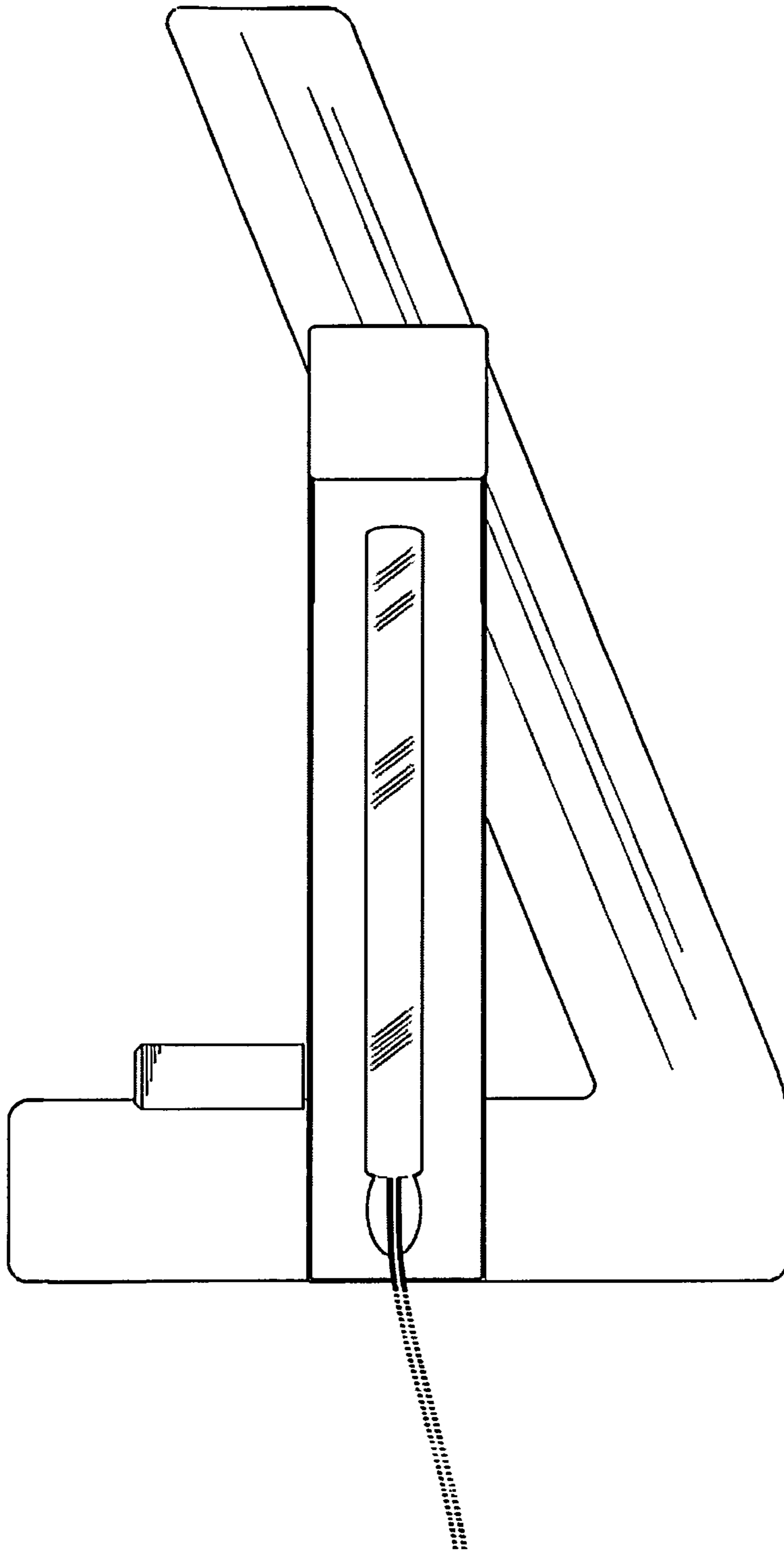


FIG. 5