



US00D736444S

(12) **United States Design Patent**
Boudewyns

(10) **Patent No.:** **US D736,444 S**

(45) **Date of Patent:** **** Aug. 11, 2015**

(54) **OUTDOOR LIGHTING FIXTURE**

(71) Applicant: **SCHREDER, S.A.**, Brussels (BE)

(72) Inventor: **Wim Boudewyns**, Brasschaat (BE)

(73) Assignee: **SCHREDER, S.A.**, Brussels (BE)

(**) Term: **14 Years**

(21) Appl. No.: **29/473,798**

(22) Filed: **Nov. 26, 2013**

(30) **Foreign Application Priority Data**

May 27, 2013 (EM) 001372288-0001

(51) **LOC (10) Cl.** **26-03**

(52) **U.S. Cl.**

USPC **D26/63**

(58) **Field of Classification Search**

USPC D26/1, 24, 61, 63, 65, 85, 92

CPC F21V 1/14; F21V 15/01; F21V 14/02;

F21V 21/30; F21V 21/00; F21V 14/00;

F21S 8/00; F21S 8/003; F21S 8/043; F21Y

2105/001

See application file for complete search history.

(56) **References Cited**

U.S. PATENT DOCUMENTS

D211,388 S *	6/1968	Harrison	D26/63
D214,582 S *	7/1969	Routh et al.	D26/63
D291,360 S *	8/1987	De Vos et al.	D26/63
D322,135 S *	12/1991	Wierzbicki et al.	D26/24
D597,693 S *	8/2009	Kauffman et al.	D26/63
D629,550 S *	12/2010	Sandell	D26/63
D645,594 S *	9/2011	Grawe	D26/63
D650,505 S *	12/2011	Oka	D26/63
D693,501 S *	11/2013	Kochman	D26/63

* cited by examiner

Primary Examiner — Brian N Vinson

(74) *Attorney, Agent, or Firm* — Kirschstein, et al.

(57) **CLAIM**

The ornamental design for an outdoor lighting fixture, as shown and described.

DESCRIPTION

FIG. 1 is a perspective view of an outdoor lighting fixture according to my new design as seen from below;

FIG. 2 is a perspective view thereof, as seen from above;

FIG. 3 is a front elevational view thereof;

FIG. 4 is a top plan view thereof;

FIG. 5 is a left side elevational view thereof;

FIG. 6 is a right side elevational view thereof;

FIG. 7 is a rear elevational view thereof; and,

FIG. 8 is a bottom plan view thereof.

The broken lines in the figures form no part of the claimed design.

1 Claim, 4 Drawing Sheets

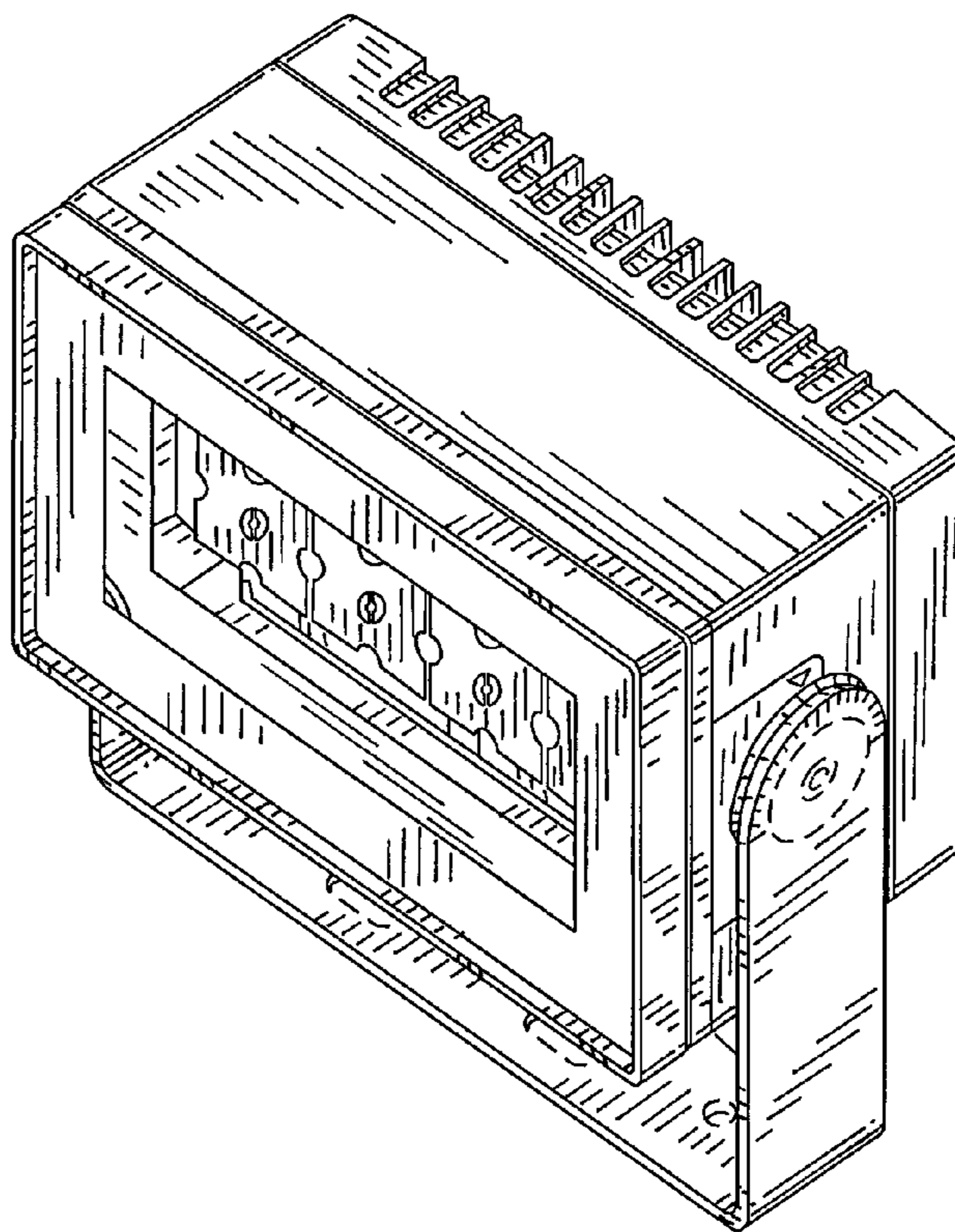


FIG. 1

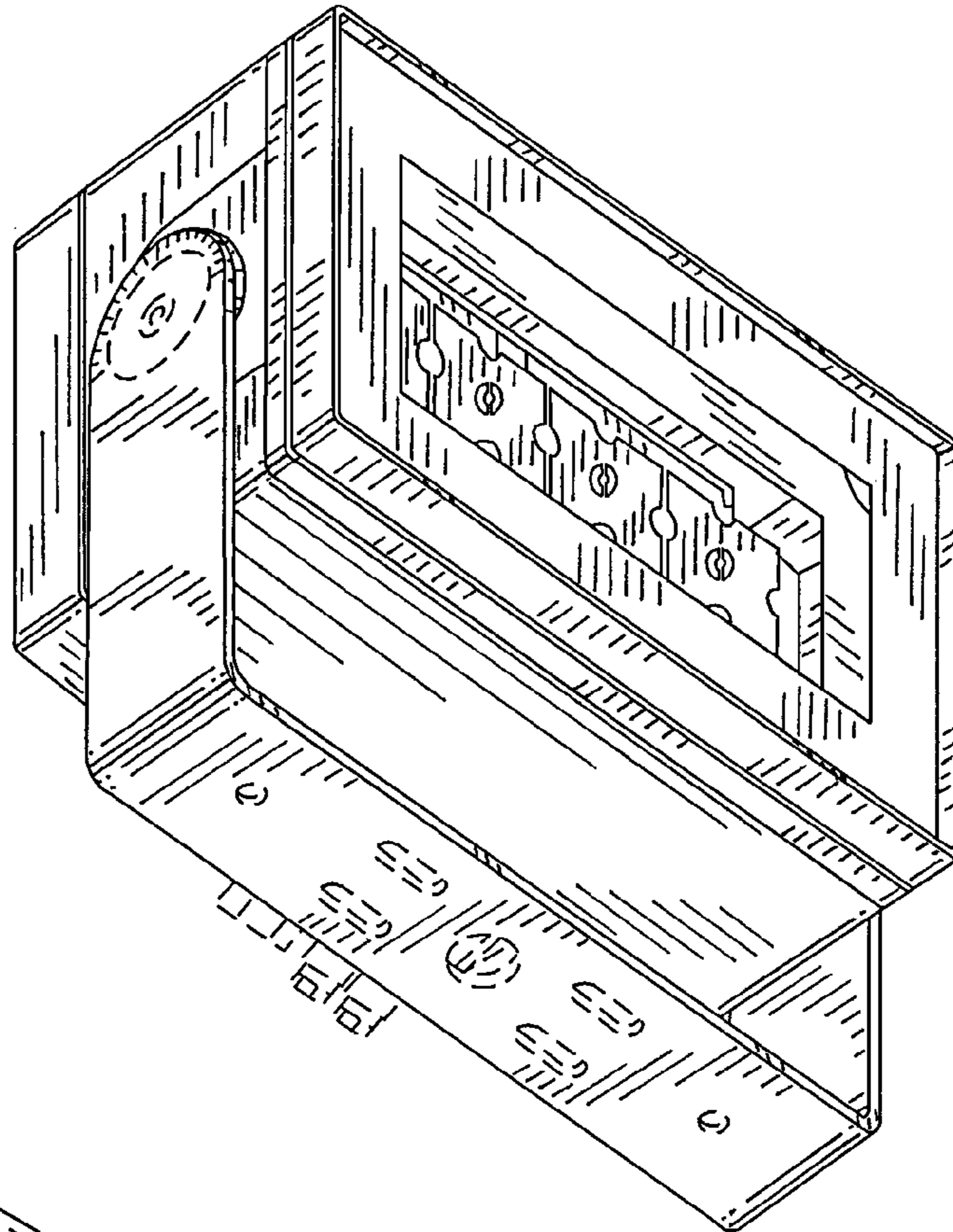
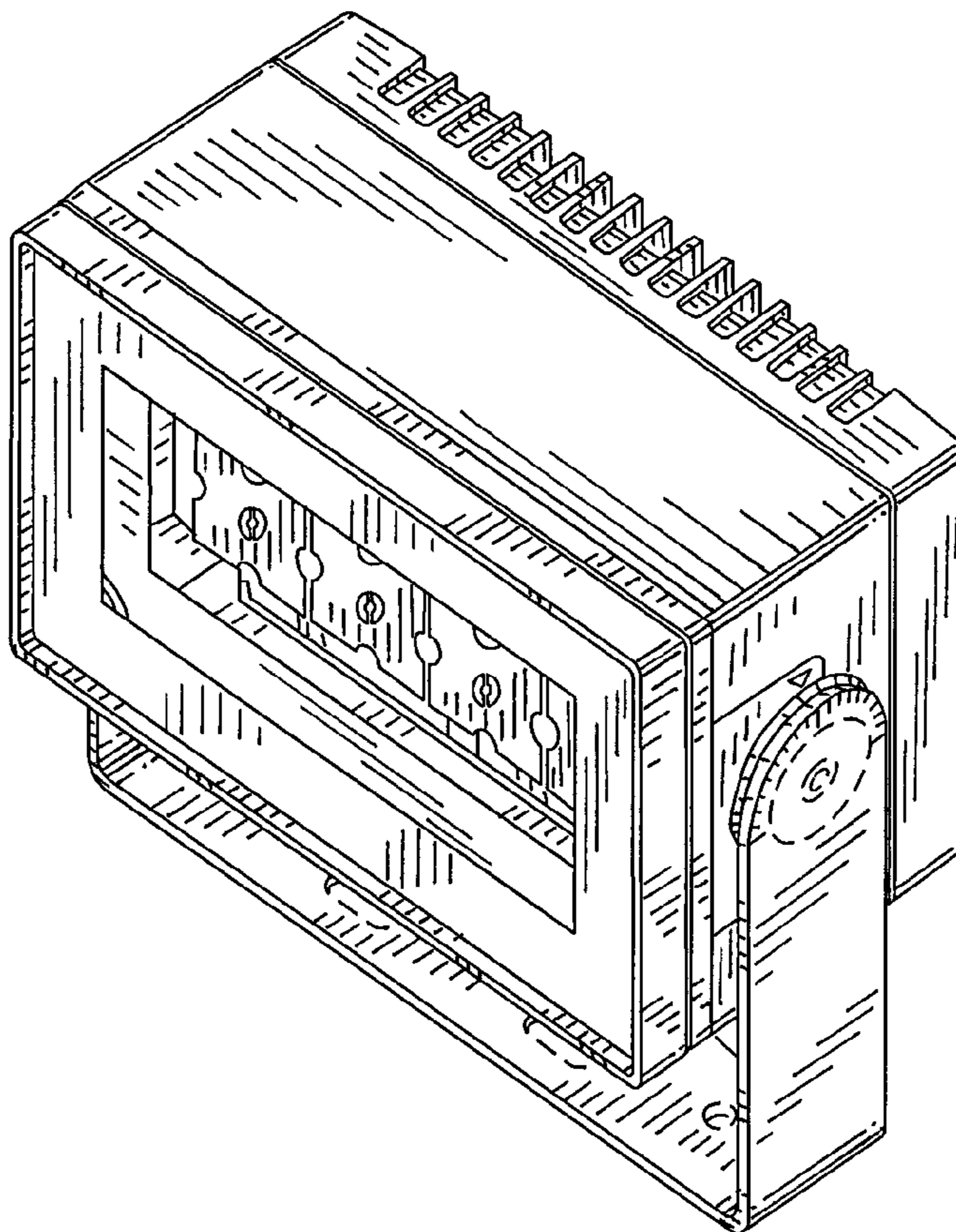


FIG. 2



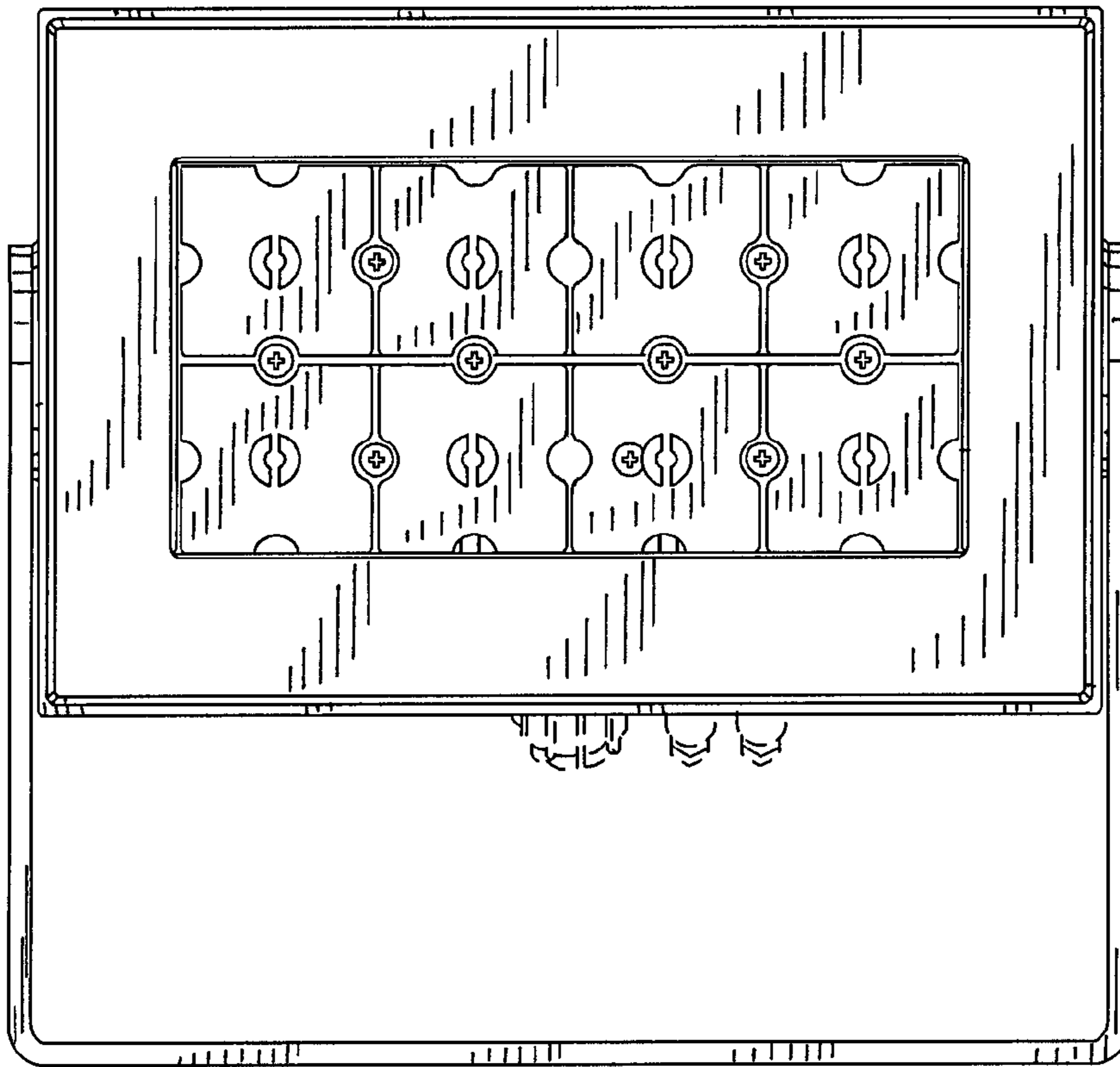


FIG. 3

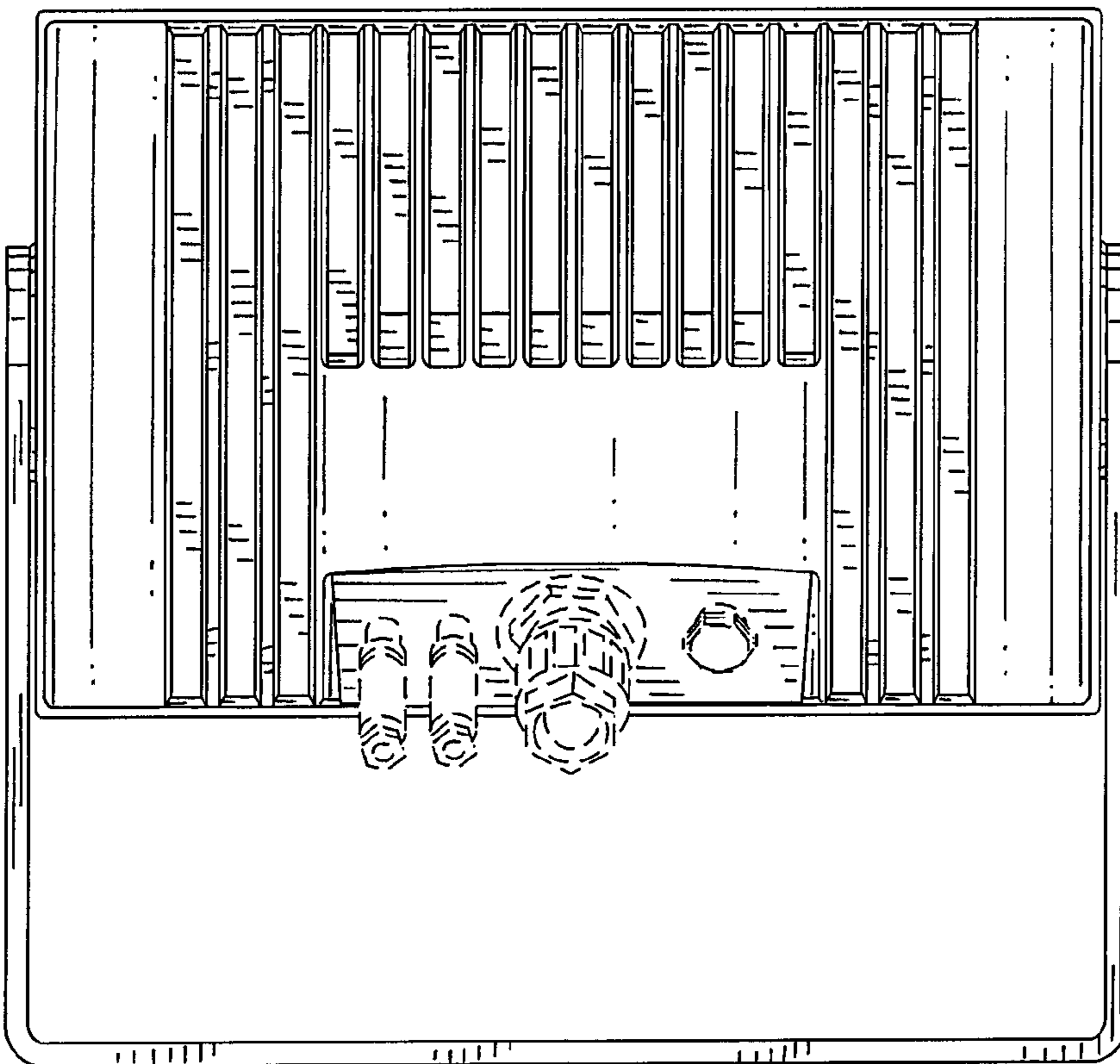


FIG. 7

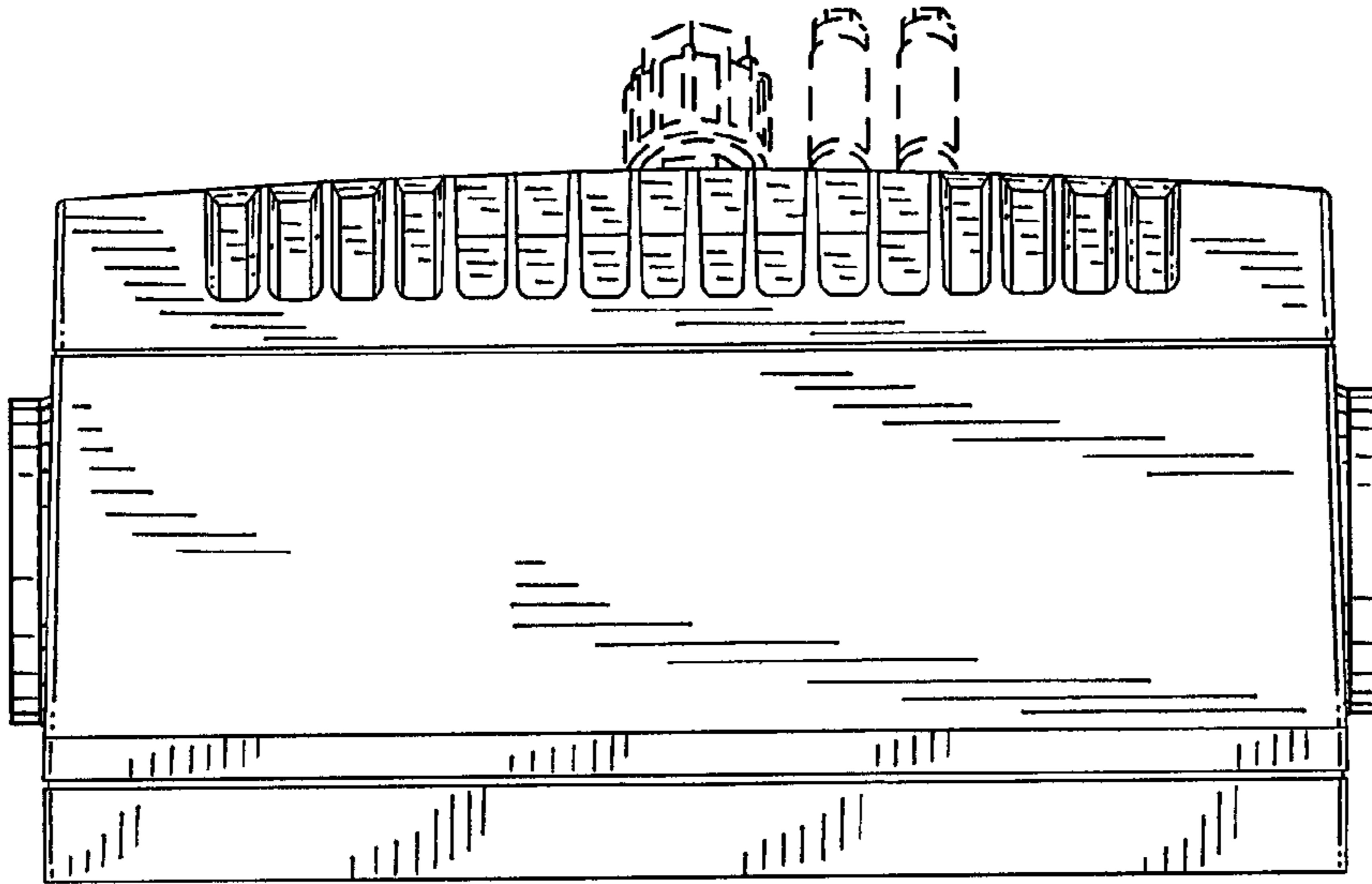


FIG. 4

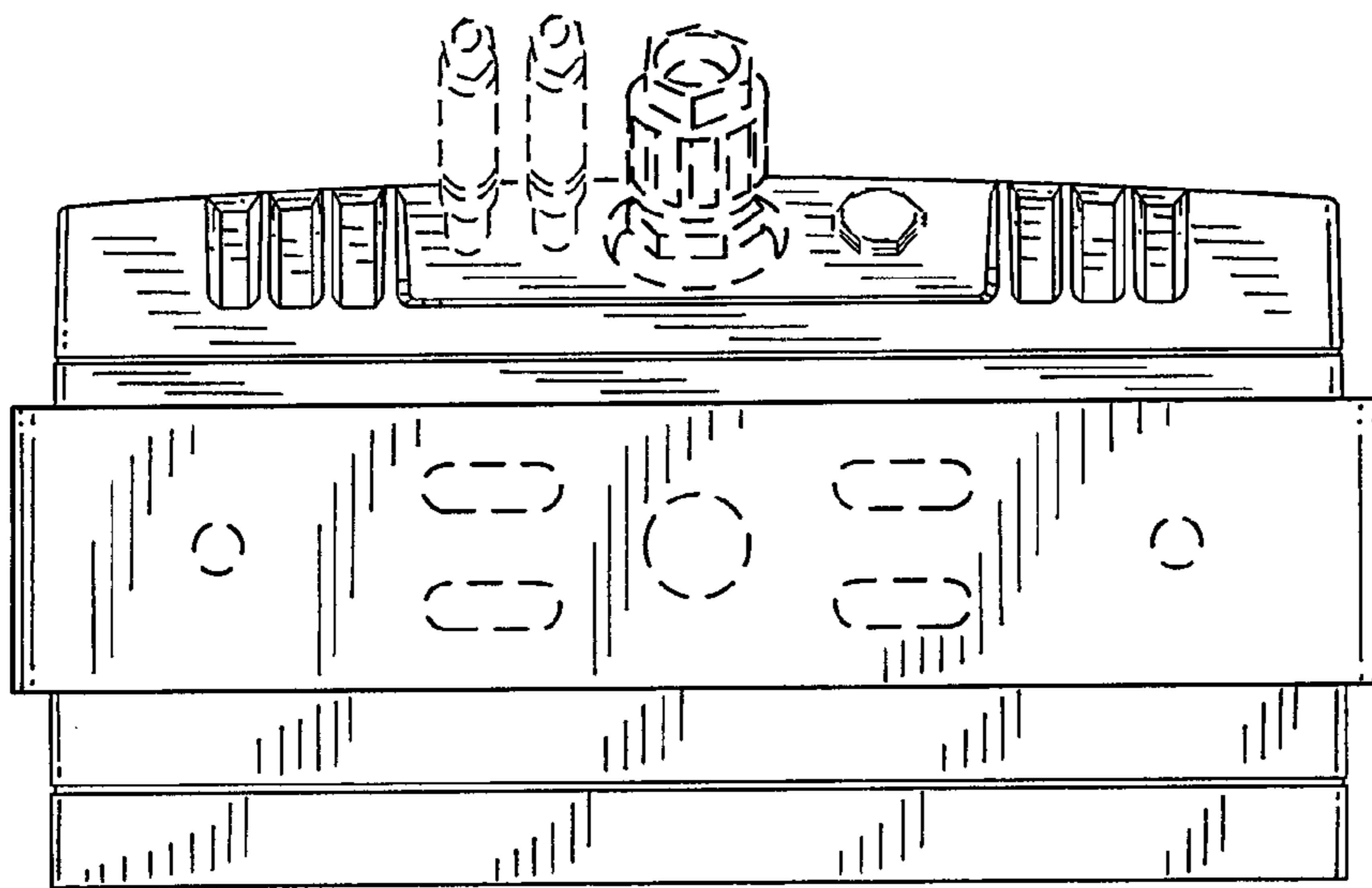


FIG. 8

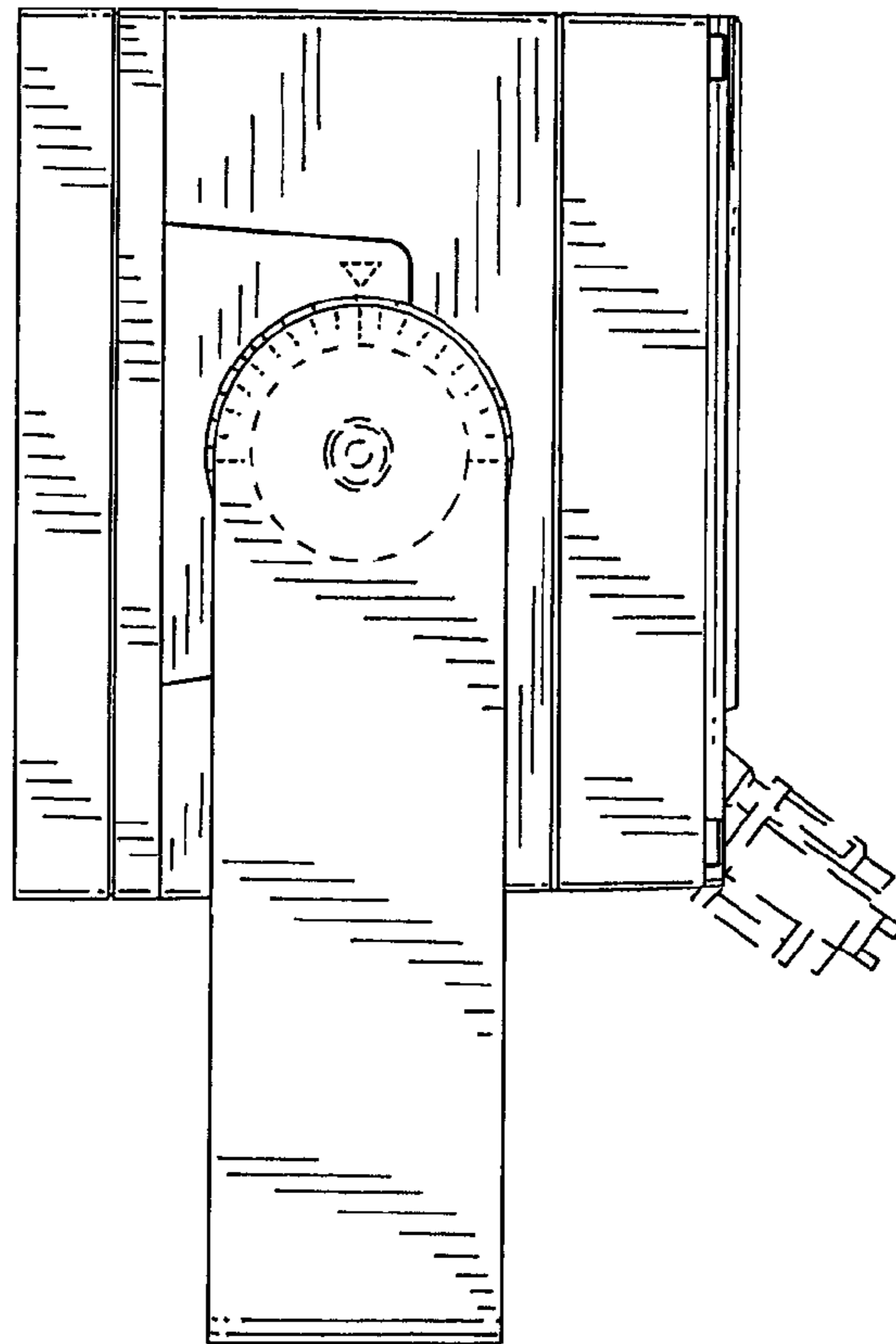


FIG. 5

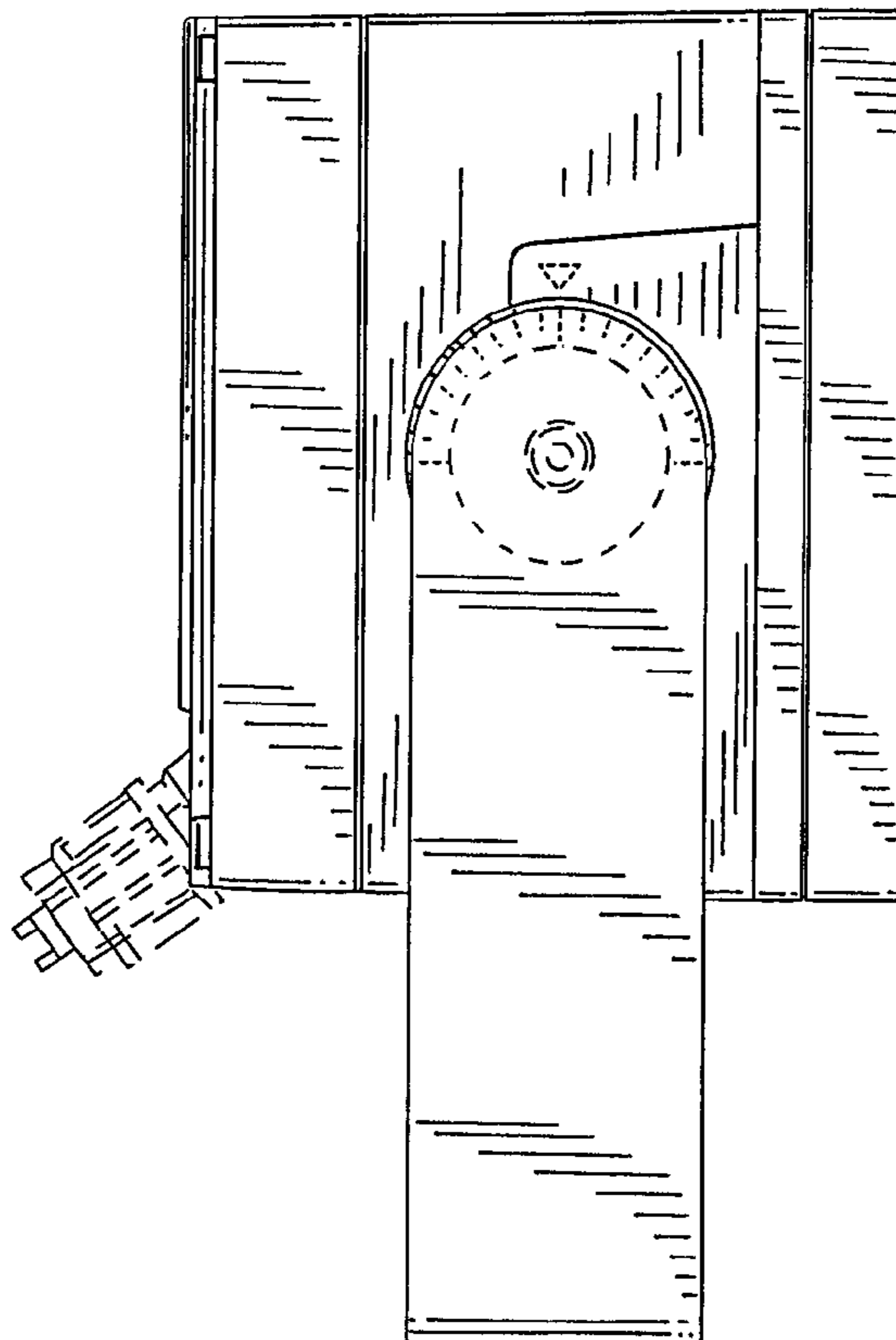


FIG. 6