



US00D736443S

(12) **United States Design Patent**
Weyse

(10) **Patent No.:** **US D736,443 S**

(45) **Date of Patent:** **** Aug. 11, 2015**

(54) **LIGHTING FIXTURE**

(56) **References Cited**

(71) Applicant: **Hella Fahrzeugteile Austria GmbH**,
Grosspetersdorf (AT)
(72) Inventor: **Roman Weyse**, Bad Tatzmannsdorf (AT)
(73) Assignee: **HELLA FAHRZEUGTEILE**
AUSTRIA GMBH, Grosspetersdorf
(AT)

U.S. PATENT DOCUMENTS

D329,505 S *	9/1992	Miller	D26/63
D355,502 S *	2/1995	Liao	D26/67
D417,024 S *	11/1999	Stuyfzand	D26/63
D587,833 S *	3/2009	Bina et al.	D26/63
D613,440 S *	4/2010	Lindholm	D26/63
D693,501 S *	11/2013	Kochman	D26/63
D698,477 S *	1/2014	Korpi	D26/63

* cited by examiner

(**) Term: **14 Years**

Primary Examiner — Brian N Vinson

(21) Appl. No.: **29/452,386**

(74) *Attorney, Agent, or Firm* — Lucas & Mercanti, LLP;
Klaus P. Stoffel

(22) Filed: **Apr. 16, 2013**

(57) **CLAIM**

(30) **Foreign Application Priority Data**

The ornamental design for a lighting fixture, as shown and described.

Oct. 18, 2012 (EM) 002120857-0001

DESCRIPTION

(51) **LOC (10) Cl.** **26-03**

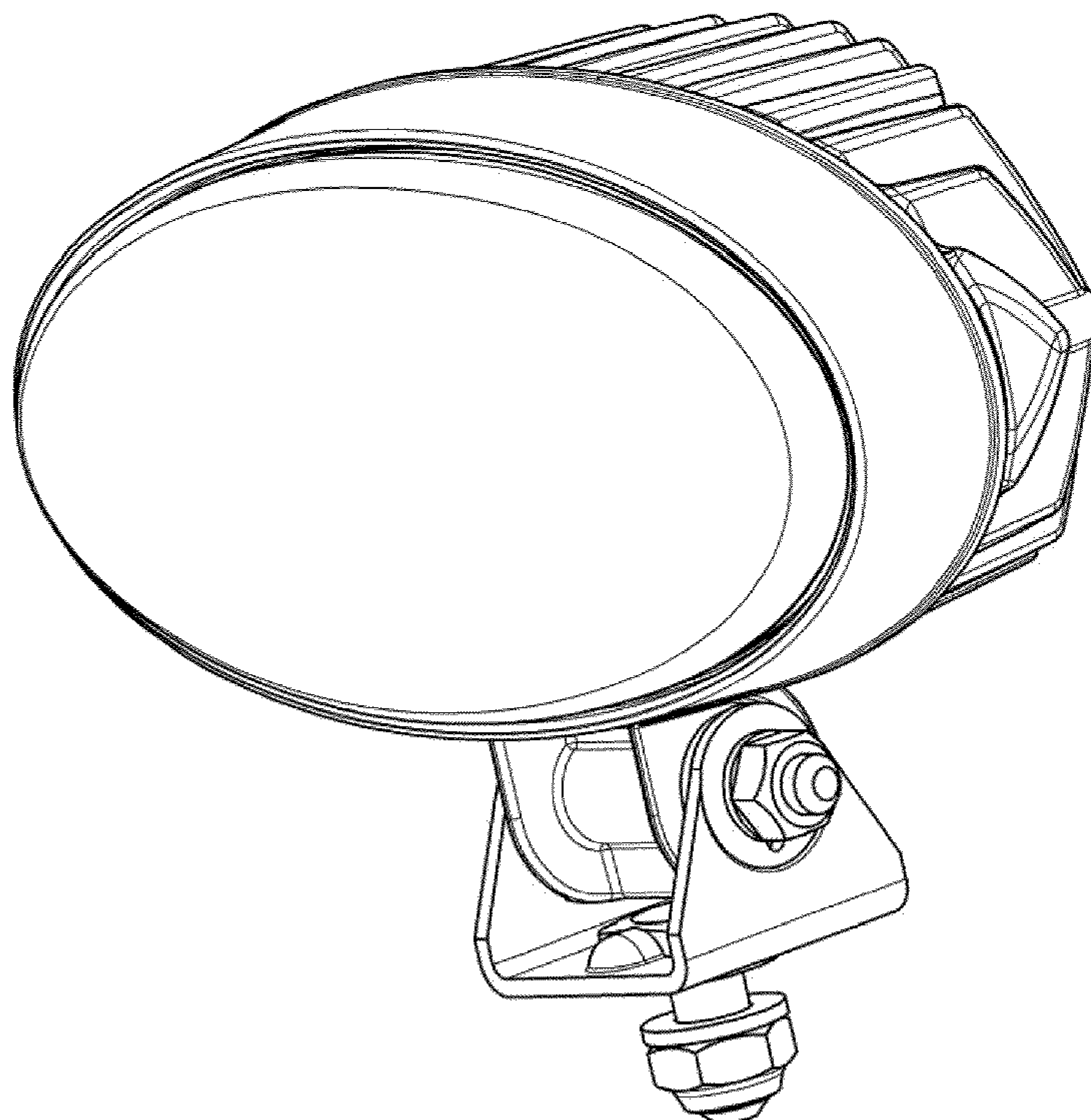
(52) **U.S. Cl.**
USPC **D26/63**

(58) **Field of Classification Search**
USPC D26/1, 24, 61, 63, 65, 85, 92
CPC F21V 21/14; F21V 15/01; F21V 14/02;
F21V 21/30; F21V 21/00; F21V 14/00;
F21S 8/00; F21S 8/003; F21S 8/043; F21Y
2105/001

FIG. 1 is a front, right side perspective view of the lighting fixture of the present invention;
FIG. 2 is a front view thereof;
FIG. 3 is a right side view thereof;
FIG. 4 is a top view thereof;
FIG. 5 is a bottom view thereof;
FIG. 6 is a rear, left side perspective view thereof; and,
FIG. 7 is a rear view thereof.

See application file for complete search history.

1 Claim, 7 Drawing Sheets



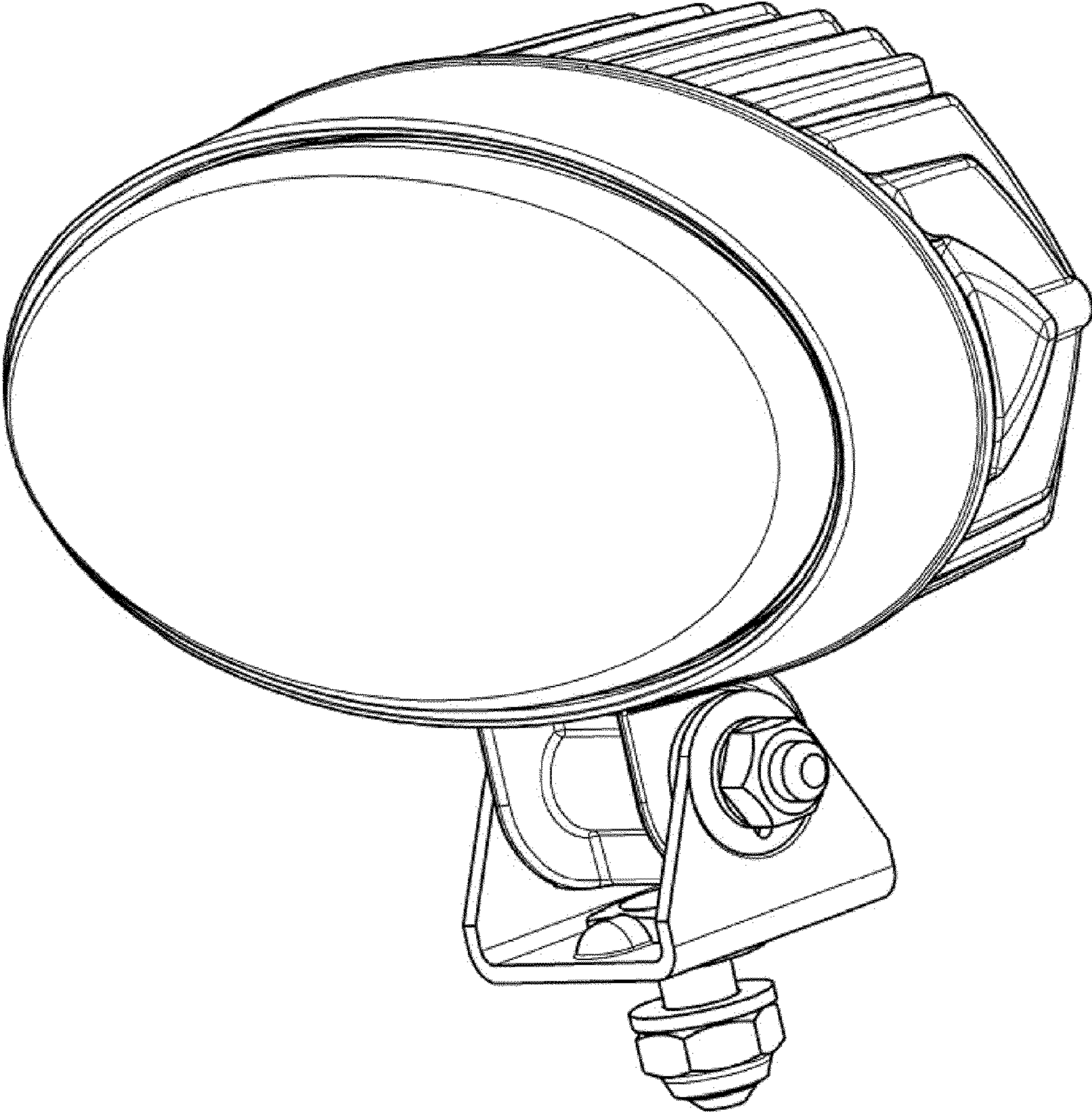


Fig. 1

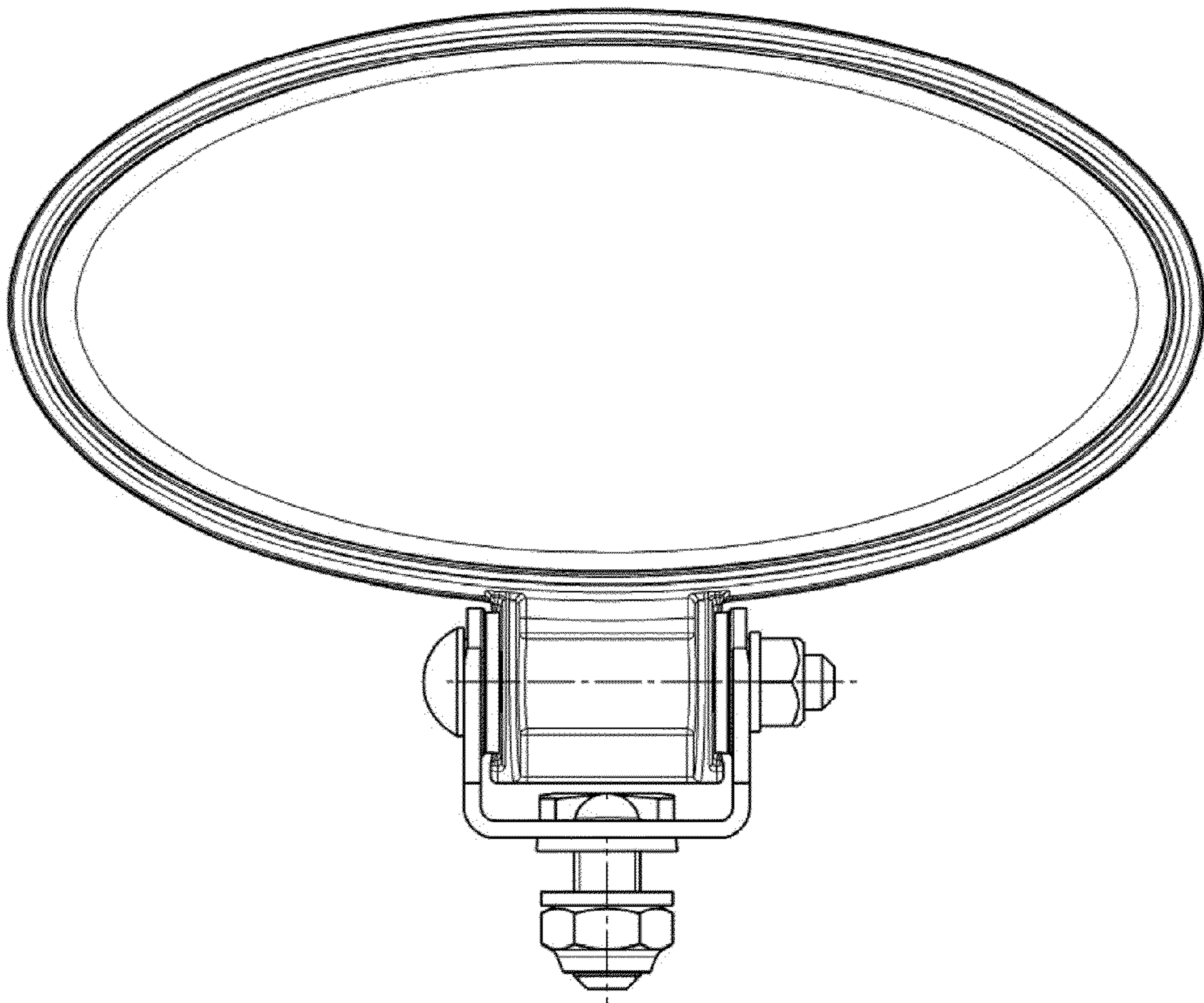


Fig. 2

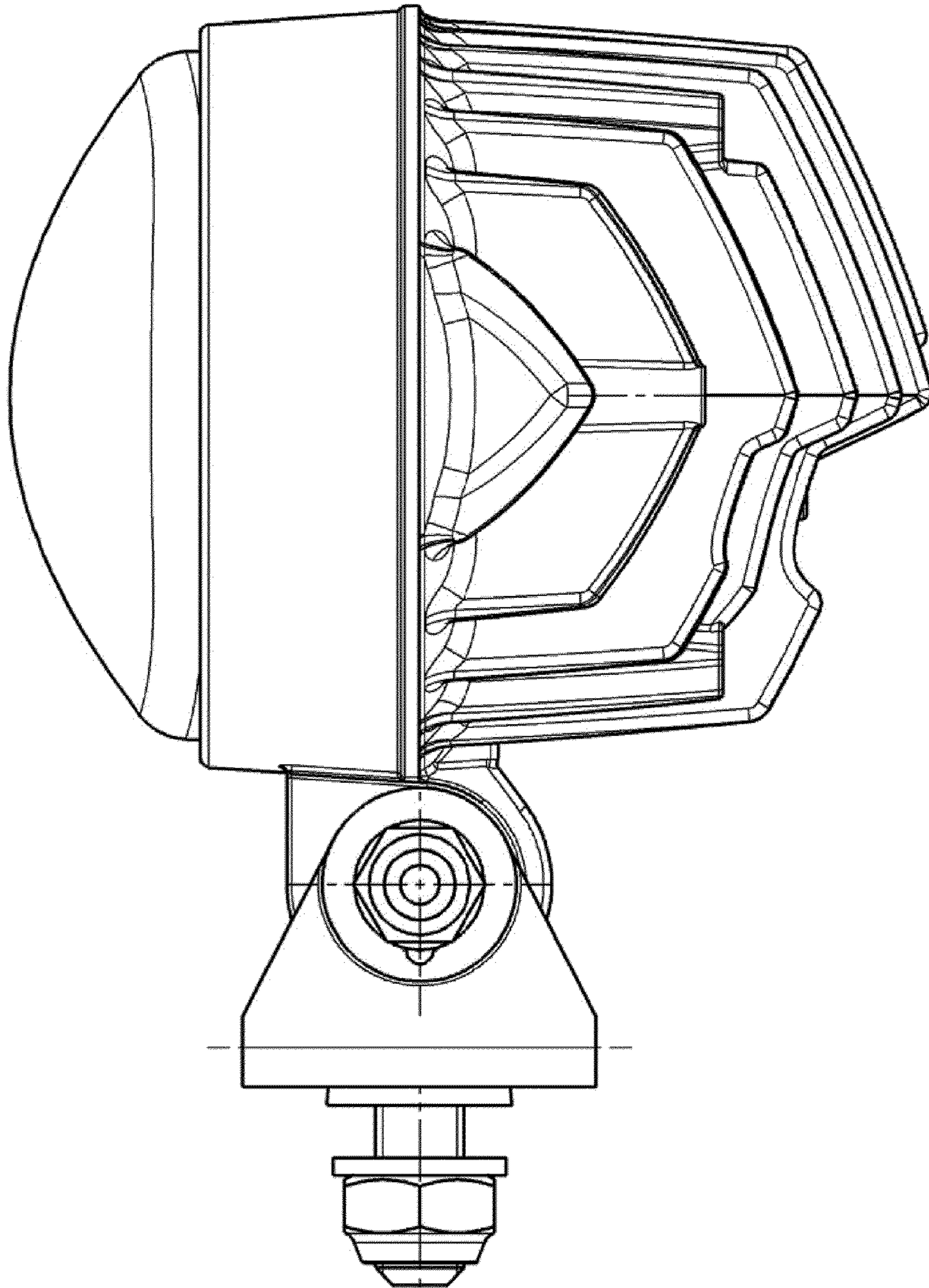


Fig. 3

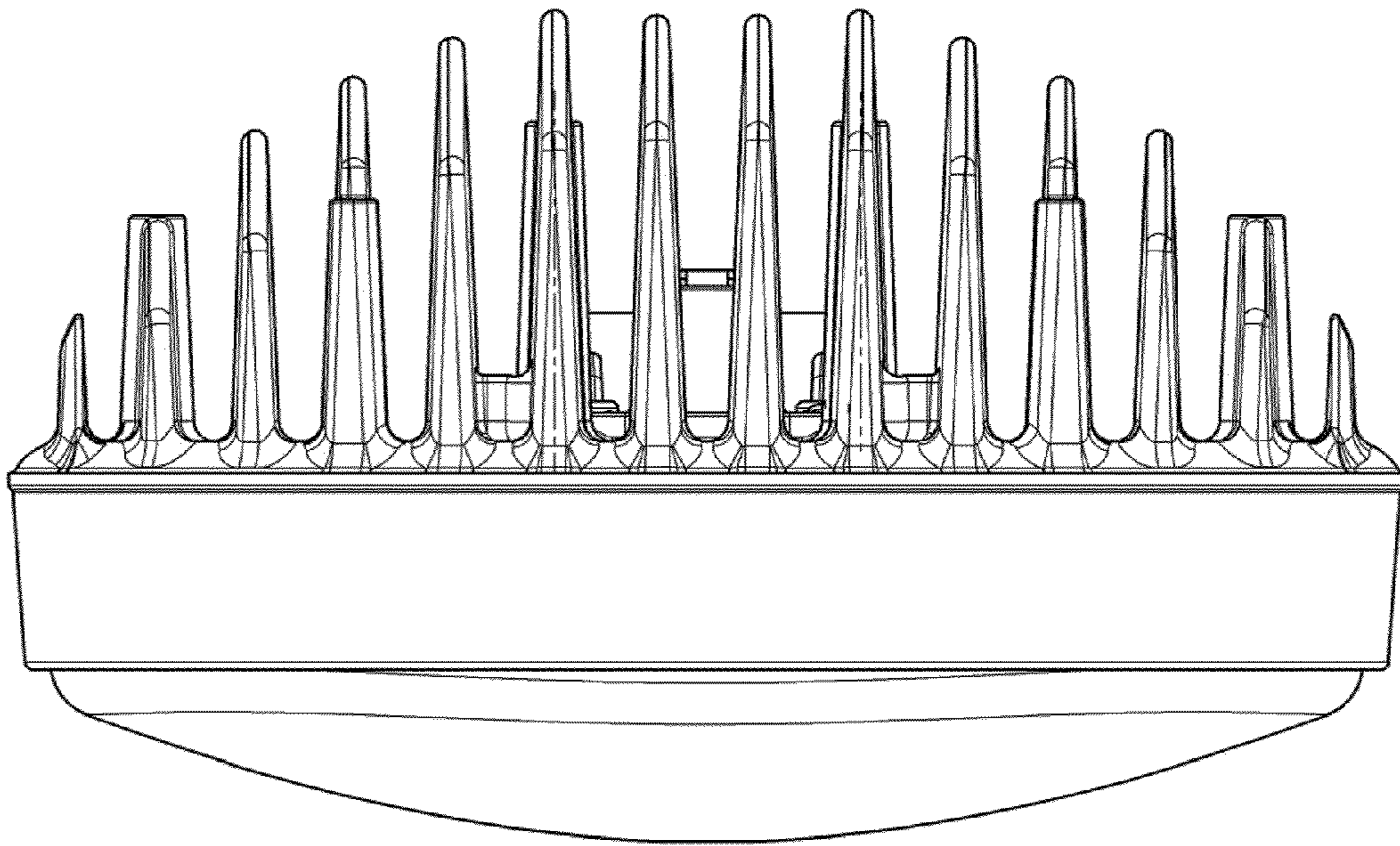


Fig. 4

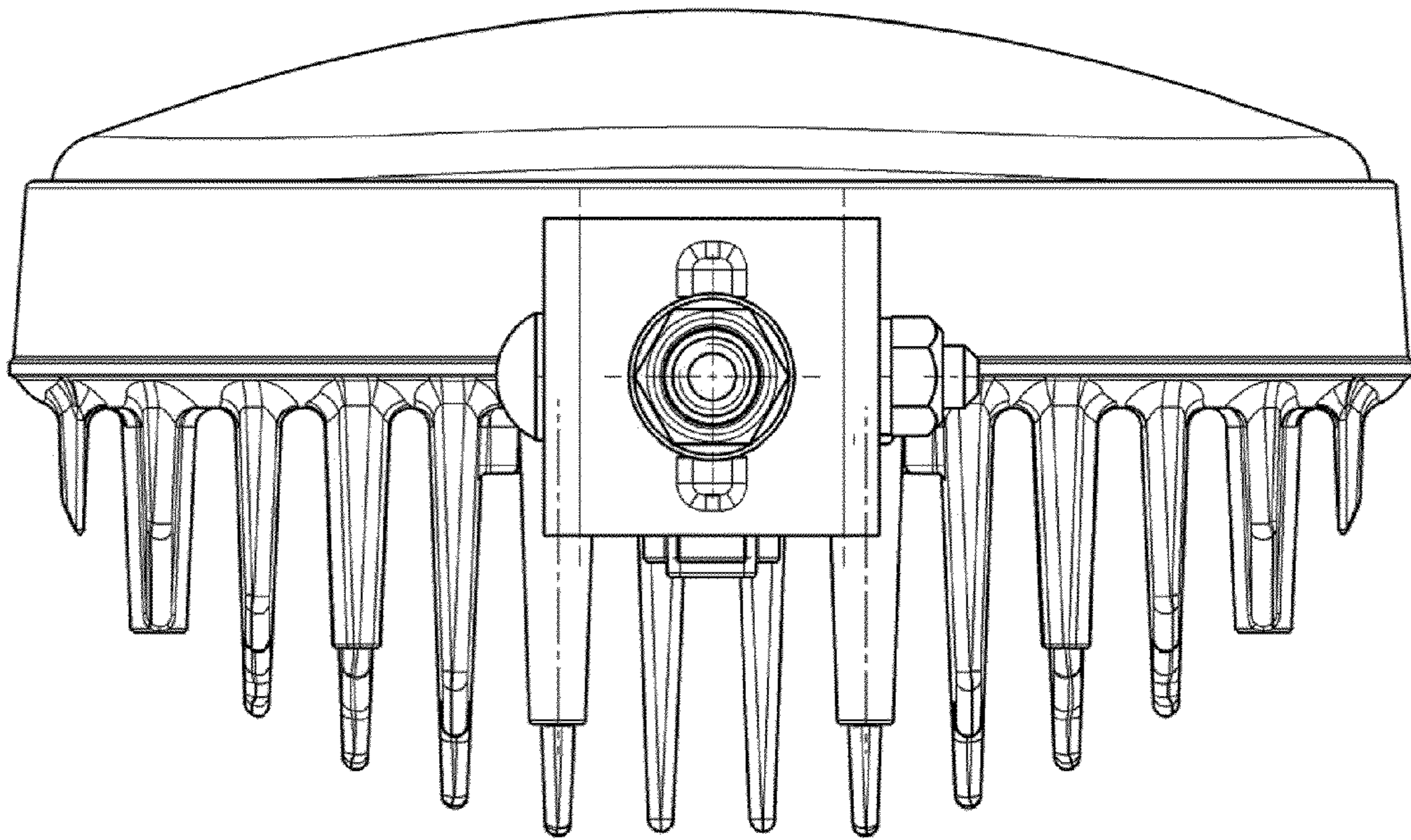


Fig. 5

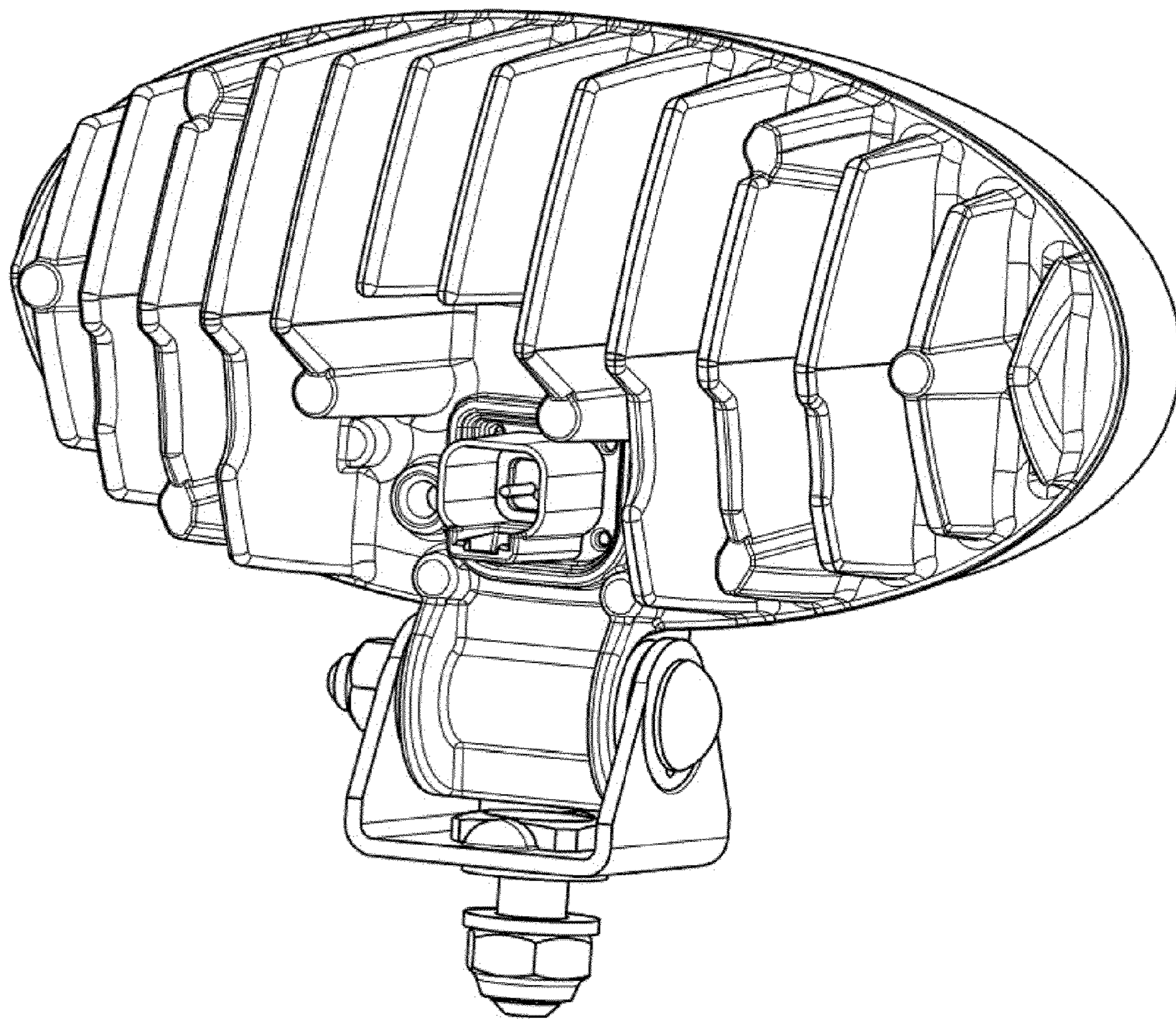


Fig. 6

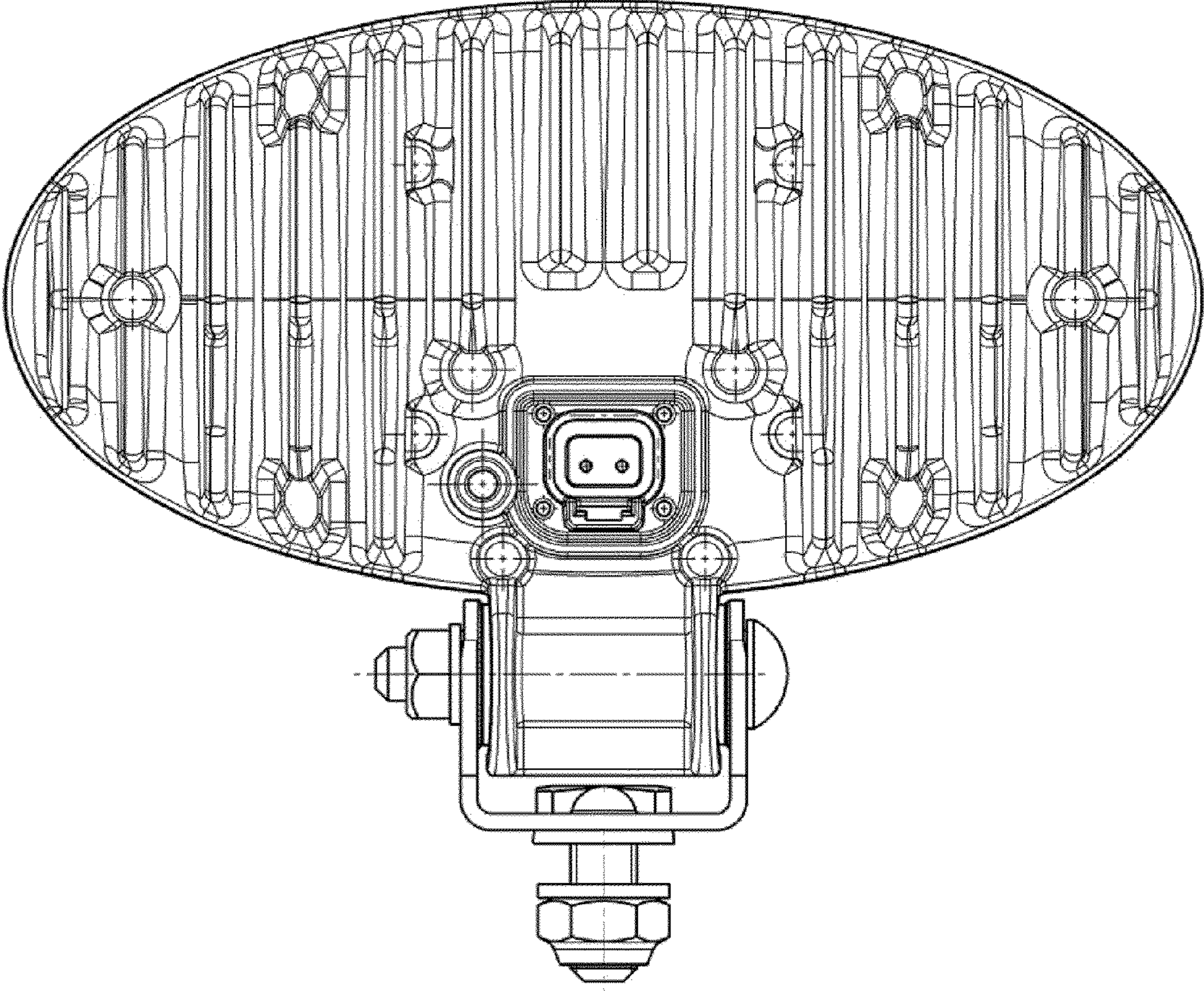


Fig. 7